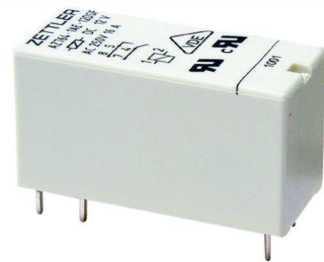


20 AMP MINIATURE POWER RELAY

FEATURES

- 20 Amp switching capability, 80 Amp high inrush version available
- 5 kV dielectric strength, Isolation spacing ≥ 10 mm
- Reinforced insulation according IEC 60730-1, IEC 60335-1
- Proof tracking index (PTI/CTI) 250
- AC and DC coils available
- Compact size, low seated height of 15.7 mm
- UL / CUR file E43203
- VDE certificate 40012572



CONTACTS

Arrangement	SPST-N.O. (1 Form A) SPDT (1 Form C)
Ratings (max.) switched power switched current switched voltage	(resistive load) 480 W or 5000 VA 20 A 300 VDC* or 400 VAC * Note: If switching voltage is greater than 30 VDC, special precautions must be taken. Please contact the factory.
Rated Loads UL, CUR	16 A at 250 VAC, general use ^{[1][2]}
VDE	1 Form A - DC coil types 16 A at 250 VAC, 30k cycles, 85°C ^[1] 16 A at 250 VAC, 10k cycles, 85°C ^[2] 20 A at 250 VAC, 10k cycles, 85°C ^{[2]**} 1 Form A - AC coil types 16 A at 250 VAC, 30k cycles, 70°C ^[1] 16 A at 250 VAC, 40k cycles, 70°C ^[2] 1 Form C - DC coil types 16 A at 250 VAC, 10k cycles, 70°C ^[1] 16 A at 250 VAC, 10k cycles, 85°C ^[2] 1 Form C - AC coil types 16 A at 250 VAC, 10k cycles, 70°C ^{[1][2]} ** Note: approved with open vent hole only
Contact material	AgNi (silver nickel) ^[1] AgSnO ₂ (silver tin oxide) ^[2]
Initial resistance	≤ 100 m Ω

COIL

Nominal coil voltages	see coil voltage specifications tables
Dropout DC coil types AC coil types	> 10% of nominal coil voltage > 15% of nominal coil voltage
Coil power DC coil types nominal max. continuous at pickup voltage AC coil types nominal max. continuous at pickup voltage	at 23°C (73°F) ambient temperature 0.4 W (approx.) 1.7 W 200 mW (typ.) 0.75 VA (approx.) 1.7 VA 0.42 VA (typ.)
Temperature Rise	26 K (47°F) at nominal coil voltage
Max. temperature	Class F insulation - 155°C (311°F)

GENERAL DATA

Life Expectancy mechanical electrical	(minimum operations) 3 x 10 ⁷ 7 x 10 ⁴ at 16 A 250VAC resistive
Operate Time	7 ms (typ.) at nominal coil voltage
Release Time	3 ms (typ.) at nominal coil voltage, without coil suppression
Dielectric Strength	(at sea level for 1 min.) 5000 V _{RMS} coil to contact 1000 V _{RMS} between open contacts
Insulation Resistance	10 ⁵ M Ω (min.) at 20°C, 500 VDC, 50% RH
Isolation spacing clearance creepage	(coil to contact) ≥ 10 mm ≥ 10 mm
Insulation	B250 (1 Form C, flux proof versions) C250 (other versions) Overvoltage category: III Pollution degree: 3 Nominal voltage: 250 VAC (according to DIN VDE 0110, IEC 60664-1) Reinforced insulation according to IEC 60730-1 (VDE 0631, part 1) IEC 60335-1 (VDE 0700, part 1)
Temperature Range operating DC coil types AC coil types	(at nominal coil voltage) -40°C (-40°F) to 85°C (185°F) -40°C (-40°F) to 70°C (158°F)
Vibration resistance N.O. contacts N.C. contacts	20 g at 30 - 500 Hz 5 g at 20 - 500 Hz
Shock resistance	20 g
Enclosure type material group flammability	P.B.T. polyester flux proof, wash tight IIIa UL94 V-0
Terminals	Tinned copper alloy, P. C.
Soldering max. temperature max. time	270 °C (518°F) 5 seconds
Cleaning max. solvent temp. max. immersion time	80°C (176°F) 30 seconds
Dimensions length width height	29.0 mm (1.142") 12.7 mm (0.500") 15.7 mm (0.618")
Weight	14 grams (approx.)
Packing unit in pcs	20 per carton tube / 1000 per carton box
Compliance	UL 508, IEC 61810-1, IEC60335-1 (GWT), RoHS, REACH

AZ764

DC COIL VOLTAGE SPECIFICATIONS

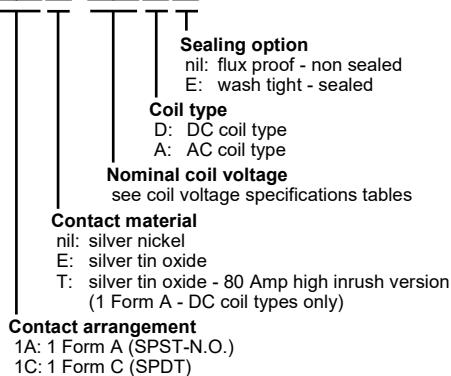
Nominal Coil VDC	Must Operate VDC	Max. Cont. VDC	Nom. Current mA ± 10%	Resistance Ohm ± 10%
3	2.1	7.6	136	22
5	3.5	12.7	83.3	60
6	4.2	15.3	66.7	90
9	6.3	22.9	45.0	200
12	8.4	30.6	33.3	360
18	12.6	45.9	25.4	710
24	16.8	61.2	16.7	1440
36	25.2	92.0	11.5	3140
48	33.6	122	8.42	5700
60	42.0	153	8.0	7500
110	77.0	280	4.37	25200

AC COIL VOLTAGE SPECIFICATIONS

Nominal Coil VAC	Must Operate VAC	Max. Cont. VAC	Nom. Current mA ± 10%	Resistance Ohm ± 10%
12	9.0	18.0	63.0	100
24	18.0	36.0	31.3	400
48	36.0	72.0	15.6	1550
60	45.0	90.0	12.5	2600
110	82.5	165.0	6.8	8900
115	86.3	172.5	6.5	9600
120	90.0	180.0	6.3	10200
220	165.0	330.0	3.4	35500
230	172.5	345.0	3.3	38500
240	180.0	360.0	3.1	42500

ORDERING DATA

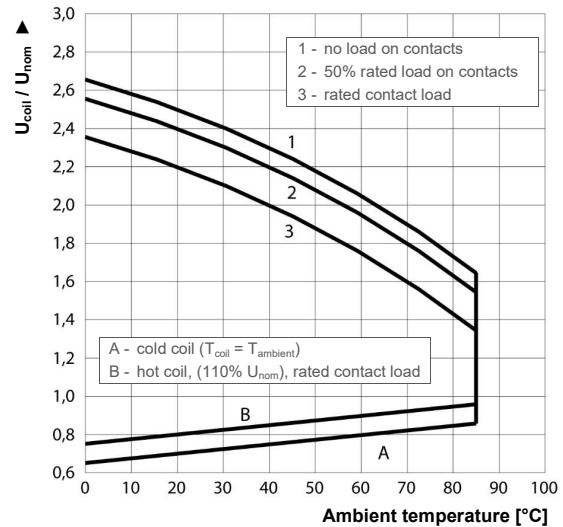
AZ764-□□□-□□□□



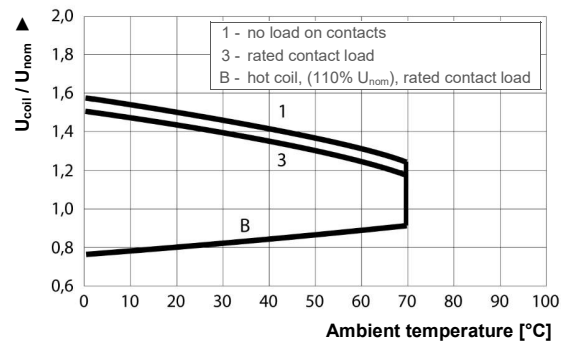
Example ordering data

AZ764-1AE-9D	1 Form A (SPST-N.O.), silver tin oxide, 9 VDC nominal coil voltage, flux tight version
AZ764-1AT-12D	1 Form A (SPST-N.O.), silver tin oxide, 80 Amp high inrush version, 12 VDC nominal coil voltage, flux tight
AZ764-1C-24DE	1 Form C (SPDT), silver nickel, 24 VDC nominal coil voltage, wash tight version
AZ764-1A-230A	1 Form A (SPST-N.O.), silver nickel, 230 VAC coil

DC COIL OPERATING RANGE

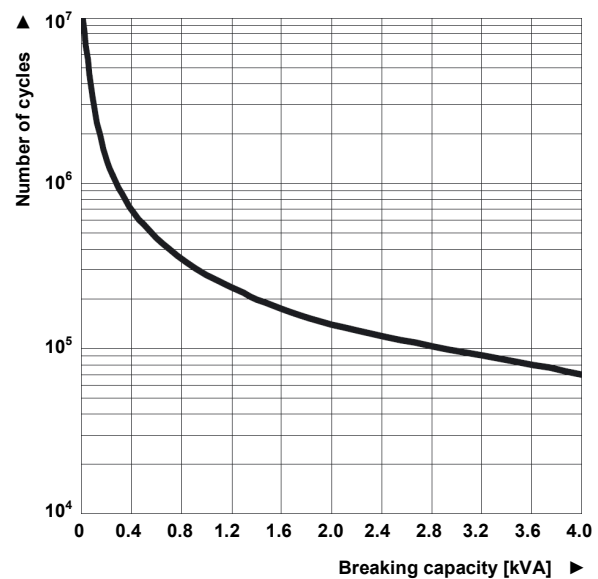


AC COIL OPERATING RANGE



LIFE EXPECTANCY

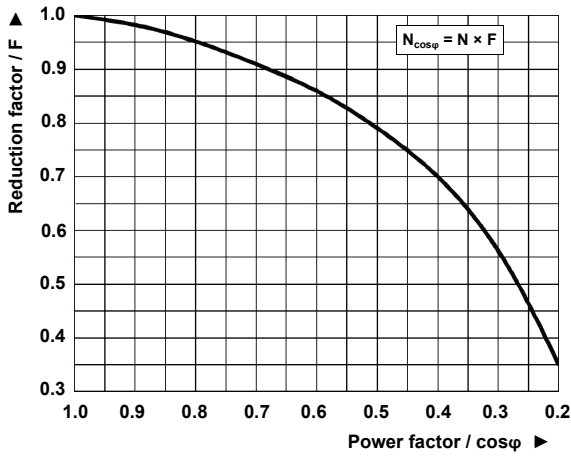
Electrical life at 250VAC, resistive load



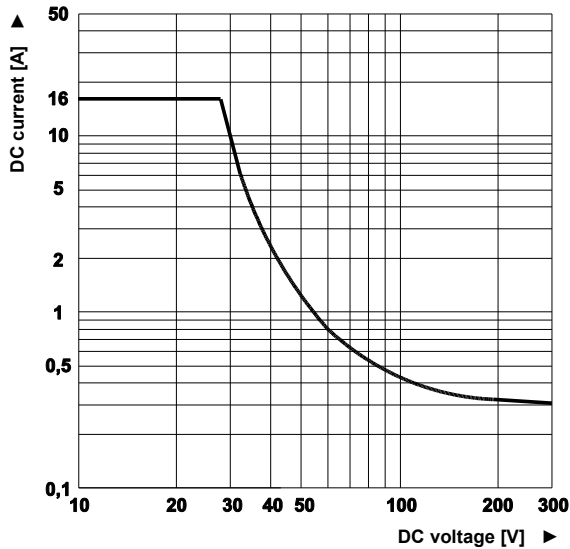
ZETTLER

INDUCTIVE LOADS LIFE REDUCTION

Electrical life reduction factor at inductive AC load

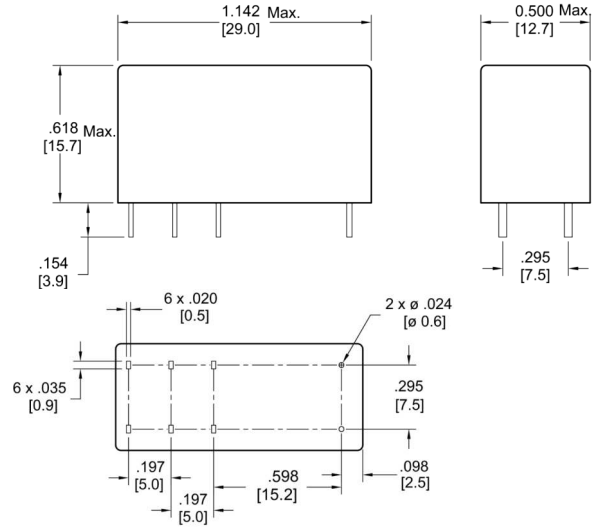


MAX DC RESISTIVE LOAD BREAKING CAPACITY



MECHANICAL DATA

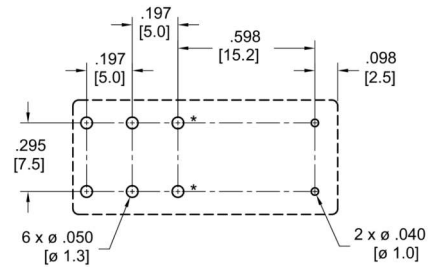
Dimensions in inches with metric equivalents in parentheses. Tolerance: $\pm .010''$



PC BOARD LAYOUT

Recommendation for PC board layout.

Dimensions in inches with metric equivalents in parentheses. Viewed towards terminals.

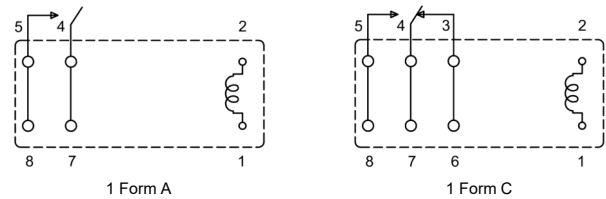


* Not used on 1 Form A relay

WIRING DIAGRAMS

Viewed towards terminals.

Note: Connect associated load terminals on PCB to ensure proper operation and service life.



NOTES

1. Specifications subject to change without notice.
2. All values at 23°C (73°F) unless otherwise stated.
3. Relay may pull in with less than "Must Operate" value.
4. Coil suppression circuits such as diodes, etc. in parallel to the coil will lengthen the release time.

AZ764

DISCLAIMER

This product specification is to be used in conjunction with the application notes which can be downloaded from the regional ZETTLER relay websites. The specification provides an overview of the most significant part features. Any individual applications and operating conditions are not taken into consideration. It is recommended to test the product under application conditions. Responsibility for the application remains with the customer. Proper operation and service life cannot be guaranteed if the part is operated outside the specified limits.

ZETTLER GROUP

Building on a foundation of more than a century of expertise in German precision engineering, ZETTLER Group is a world-class enterprise, engaged in the design, manufacturing, sales and distribution of electronic components. Our industry leadership is based on a unique combination of engineering competence and global scale.

For more information on other ZETTLER Group companies, please visit [ZETTLER-group.com](https://www.zettler-group.com). For support on this product or other ZETTLER relays, please visit one of the group sites below.

SITES FOR ZETTLER RELAYS

NORTH AMERICA

American Zettler, Inc.
www.azettler.com
sales@azettler.com

EUROPE

Zettler Electronics, GmbH
www.zettlerelectronics.com
office@zettlerelectronics.com

Zettler Electronics, Poland
www.zettlerelectronics.pl
office@zettlerelectronics.pl

CHINA

Zettler Group, China
www.zettlercn.com
relay@zettlercn.com

ASIA PACIFIC

Zettler Electronics (HK) Ltd.
www.zettlerhk.com
sales@zettlerhk.com



ZETTLER