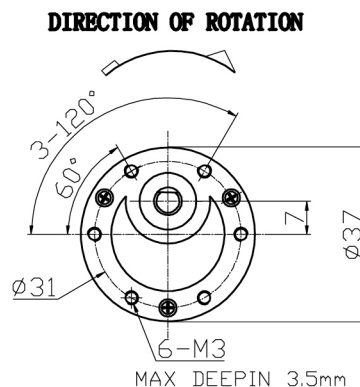
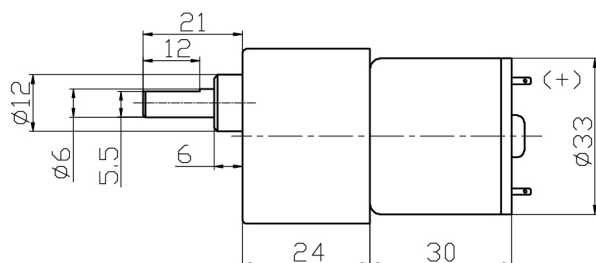


Model	PGM-37DC12/77	Voltage	12V	No.	310 481	Date	2011. 07. 01
-------	---------------	---------	-----	-----	---------	------	--------------

## Dimension



### 1. Normal operating conditions:

- 1.1 Rated voltage: 6~12 V
- 1.2 Ambient temperature: -10~+60°C
- 1.3 Rotate direction: CW  
Positive pole connect Red "+"  
Negative pole connect "-"  
Facing the output shaft axis

### 2. Test conditions:

- 2.1 Voltage: DC 12V
- 2.2 Ambient temperature: 28°C
- 2.3 Ambient humidity: 79%RH
- 2.4 The tested sample is set level

### 3. Electrical features (After 30 seconds electrify)

- 3.1 No-load
  - 3.1.1 No-load speed:  $76.1 \pm 10\%$ rpm
  - 3.1.2 No-load current: 0.096A (0.192A max)
- 3.2 Load
  - 3.2.1 Load torque: 4.2kg.cm
  - 3.2.2 Load current: 0.42A (0.63A max)
  - 3.2.3 Load speed:  $59.6 \pm 10\%$ rpm
  - 3.2.4 Stall torque: 19.4kg.cm
  - 3.2.5 Stall current: 2.08A

### 4. Mechanical characteristics

- 4.1 Axial play of shaft:  $\leq 0.5$ mm

### 5. Motor features

- 5.1 No-load Current: 0.08A
- 5.2 No-load Speed:  $7000 \pm 10\%$ rpm

## Characteristic Graph

