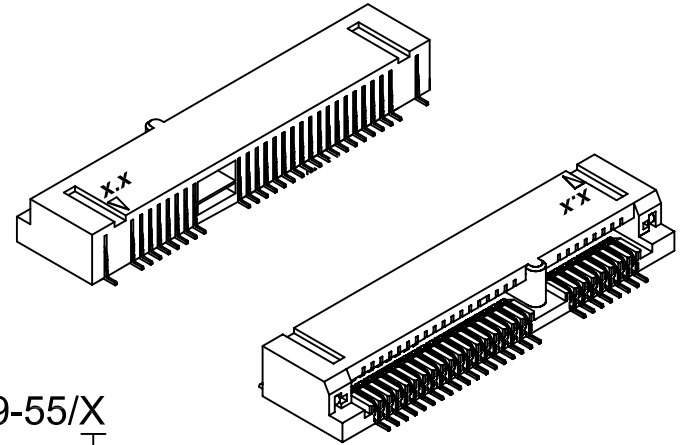
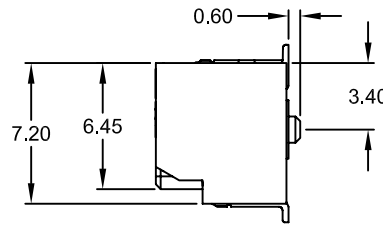
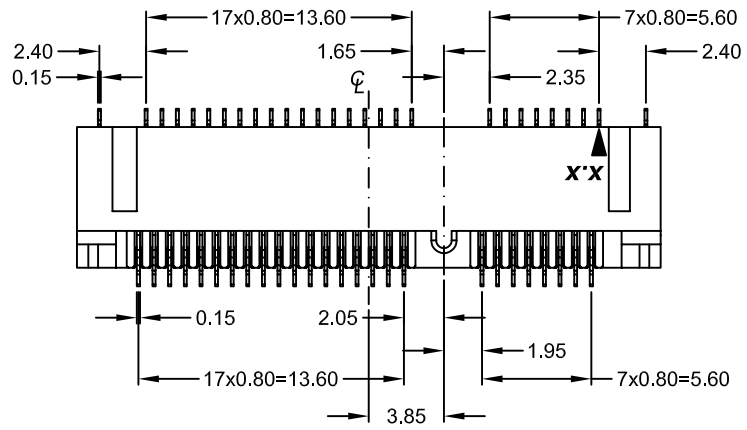


REV.	DESCRIPTION	DATE	DRAWN
A	NEW	14.01.2007	RH
B	design update	18.01.2012	Ronny
C	design update + RoHS	14.11.2014	Ronny

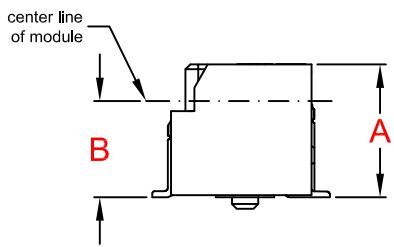
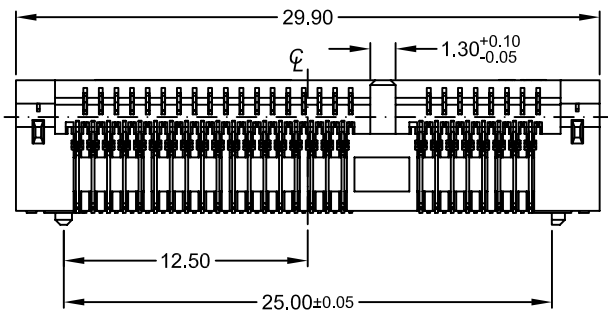


**Order Code**  
MPE-052-RXB9-55/X

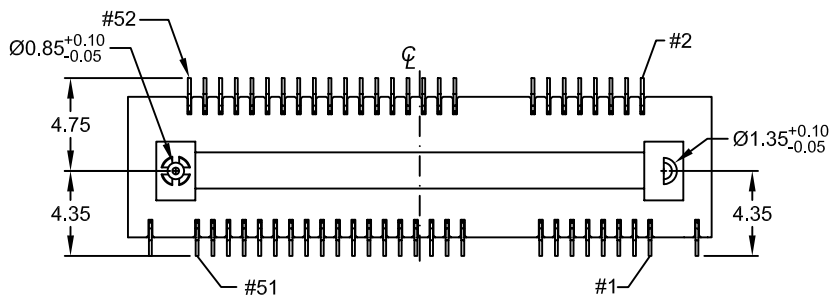
Packing Option  
R = if Reel packing (standard)

For Module Fixing Options  
pls. ref. to page 2/4 & 3/4

For recommended Module Design  
pls. ref to page 4/4



Height Option	X.X Mark	Dimension	
		A	B
L	4.0	4.00mm	2.11mm
P	5.2	5.20mm	3.31mm
F	5.6	5.60mm	3.71mm
T	6.0	6.00mm	4.11mm
W	6.8	6.80mm	4.91mm
M	8.0	8.00mm	6.11mm
C	9.0	9.00mm	7.11mm
G	9.2	9.20mm	7.31mm
D	9.9	9.90mm	8.00mm



For PCB solder pad Layout pls. ref. to page 2/4

**Specifications**

**Electrical**  
 Current rating: 0.5A / Contact  
 Insulation resistance: 500MΩ min.  
 Voltage rating: 50V AC  
 Withstanding voltage: 300V AC rms / Minute  
 Contact resistance: 55mΩ max.  
 Insertion loss: 1dB max. up to 1.25Ghz / 5dB max. up to 3.75Ghz  
 Return loss: ≤12dB up to 1.3GHz / ≤7dB up to 2Ghz / ≤4dB up to 3.75Ghz  
 Cross talk (near end): -32dB up to 1.25Ghz / ≤26dB up to 3.75Ghz

**Material**  
 Contact: Copper Alloy  
 Plating: Au over Ni  
 Insulator: LCP (Black) UL 94V-0

Operating temperature: -40°C to +85°C  
 Processing temperature: +255°C +0/-5°C for 10~20 seconds

**Mechanical Requirements**  
 Lifetime: 50 cycles min.



UNIT	mm	GENERAL TOLERANCE		DRAWN	RH	DATE	14.01.2007	DWG. NO.	MPE-052-RXB9	SHEET 1/4
SCALE	Free	X° ±	X. ±	CHECK	Ronny	DATE	14.11.2014	SERIES NO.	MPE-052-RXB9-55/X	REV. C
		.XX° ±	.XX ± 0.10	APPROVE	Hogi	DATE	17.11.2014			
		.XXX° ±	.XXX ±							

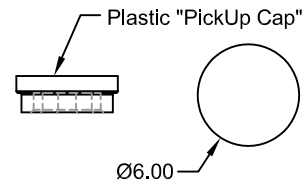
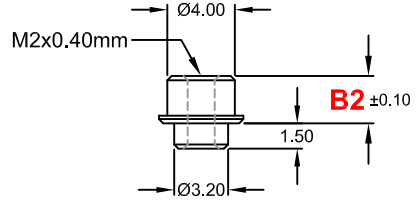
**Mini PCI-Express Connector**  
**"B" Key**  
 0.80mm pitch 52 Contact Type

REV.	DESCRIPTION	DATE	DRAWN
A	NEW	16.07.2008	RH
B	design update	18.01.2012	Ronny
C	design update + RoHS	14.11.2014	Ronny

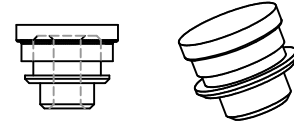
**Module Fixing Hardware**

**"Bolt"**

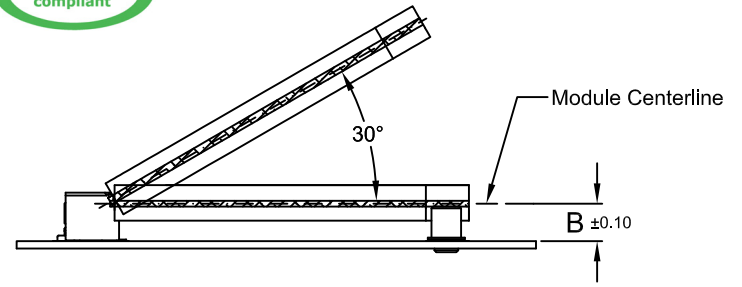
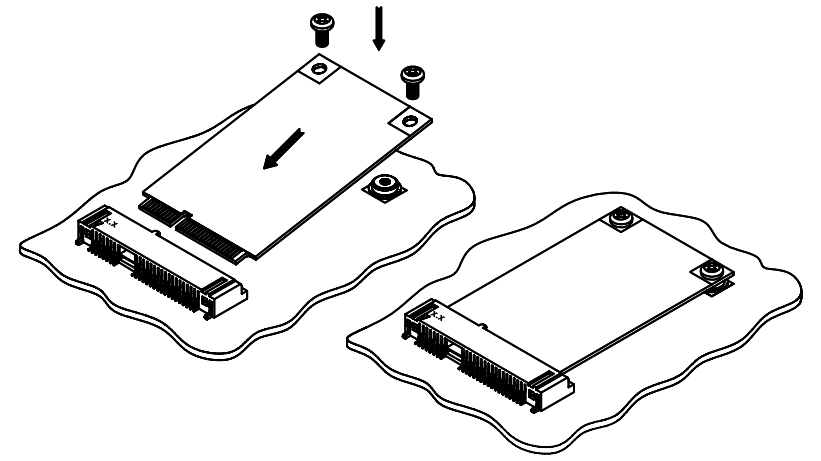
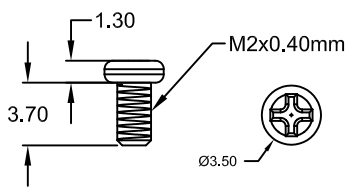
**A: Distance Bolt** with PickUp Cap  
 (2 pcs. needed each connector)  
 Reel packed (700 pcs./reel)



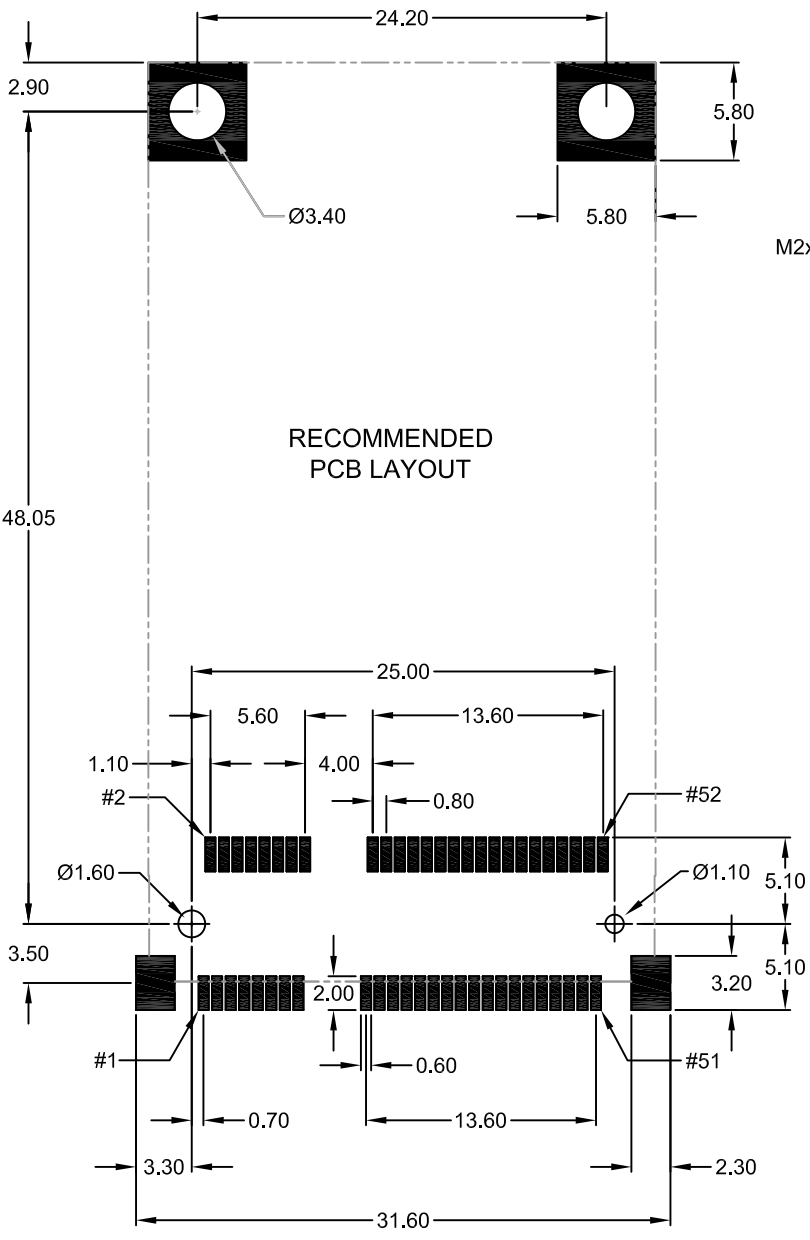
Distance bolt with PickUp Cap



**B: Screw** (2 pcs. needed each connector)



How to order "Bolt" Module Fixing Hardware				
Order Code (for bolt & screw)	DIM "B2" for Connector height Option	X.X Mark	DIM "B"	
DBT-160-MPE40-99/B	1.60mm	L	4.0	4.00mm
DBT-280-MPE52-99/B	2.80mm	P	5.2	5.20mm
DBT-320-MPE56-99/B	3.20mm	F	5.6	5.60mm
DBT-360-MPE60-99/B	3.60mm	T	6.0	6.00mm
DBT-440-MPE68-99/B	4.40mm	W	6.8	6.80mm
DBT-560-MPE80-99/B	5.60mm	M	8.0	8.00mm
DBT-660-MPE90-99/B	6.60mm	C	9.0	9.00mm
DBT-680-MPE92-99/B	6.80mm	G	9.2	9.20mm
DBT-750-MPE99-99/B	7.50mm	D	9.9	9.90mm



RECOMMENDED PCB LAYOUT



UNIT	mm	GENERAL TOLERANCE		DRAWN	RH	DATE	16.07.2008	DWG. NO.	MPE-052-RXB9	SHEET 2/4
SCALE	Free	X° ±	X. ±	CHECK	Ronny	DATE	14.11.2014	SERIES NO.	MPE-052-RXB9-55/X	REV. C
		.XX° ±	.XX ± 0.10	APPROVE	Hogi	DATE	17.11.2014			
		.XXX° ±	.XXX ±							

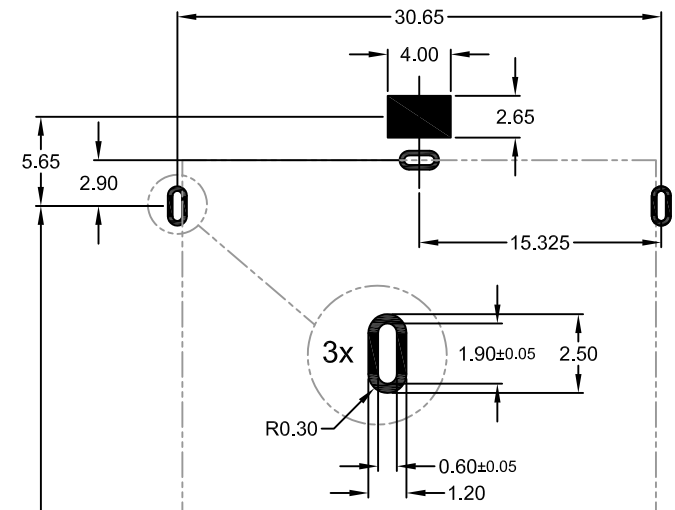
**PCB Layout Recommendation and "Bolt" Fixing Hardware for Mini PCI-Express Connector MPE-052-RXB9-55/X**

REV.	DESCRIPTION	DATE	DRAWN
A	NEW	13.10.2008	RH
B	design update	18.01.2012	Ronny
C	design update + RoHS	14.11.2014	Ronny

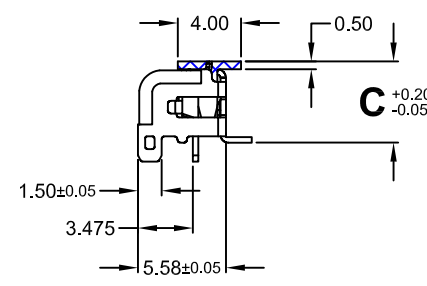
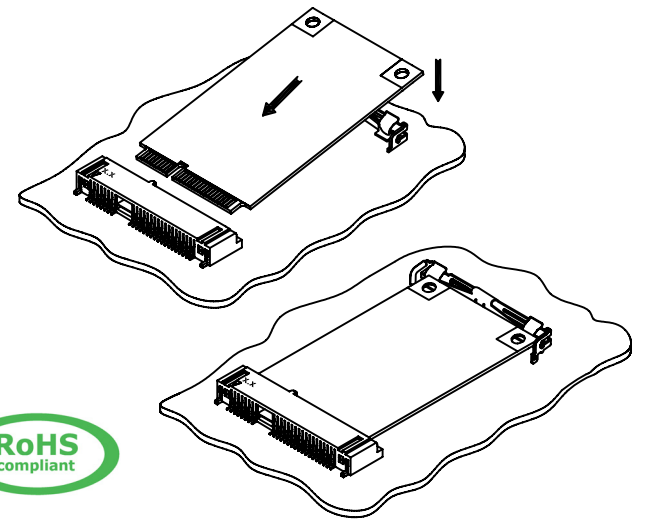
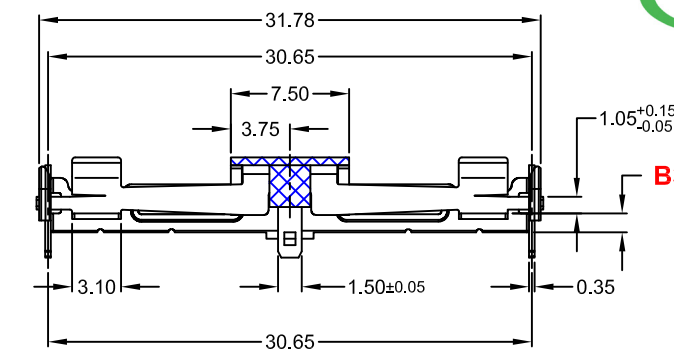
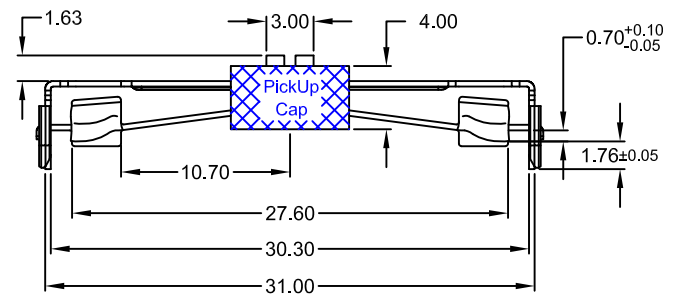
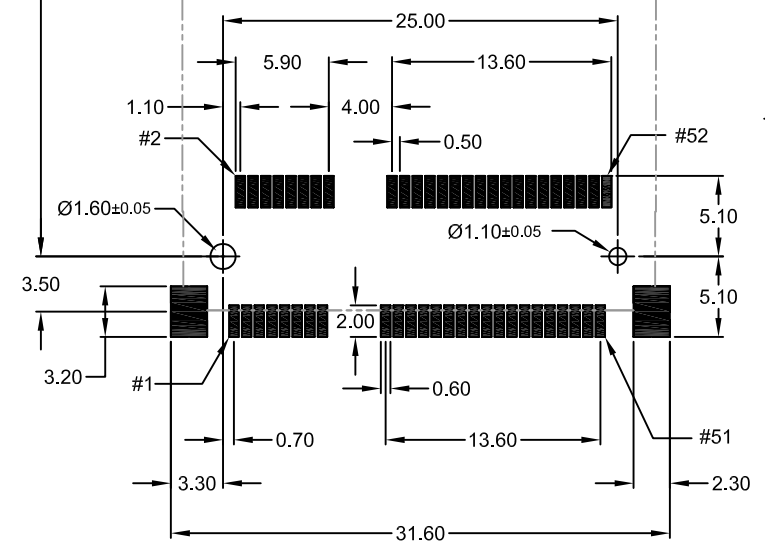
### Module Fixing Hardware

#### "Latch"

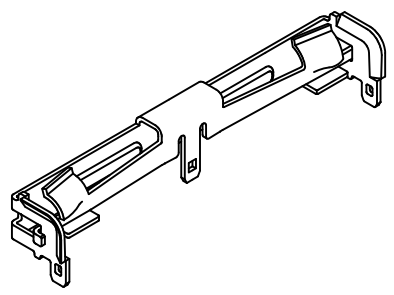
Reel packed: (350 pcs./reel)  
Material: Stainless Steel; Sn plated



#### RECOMMENDED PCB LAYOUT



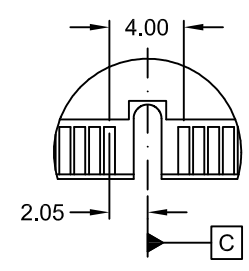
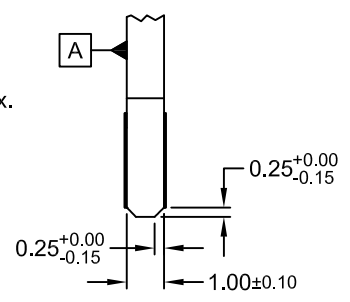
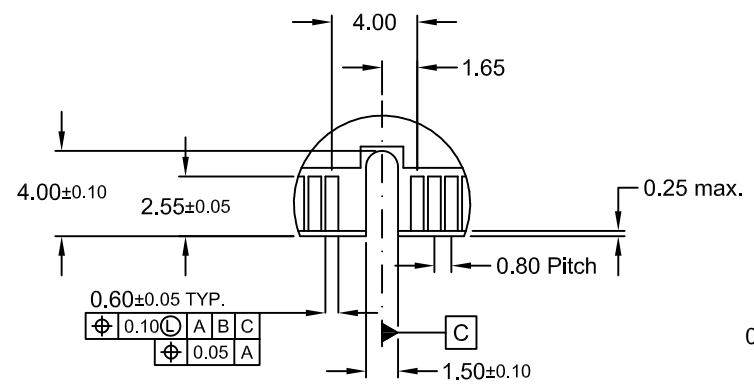
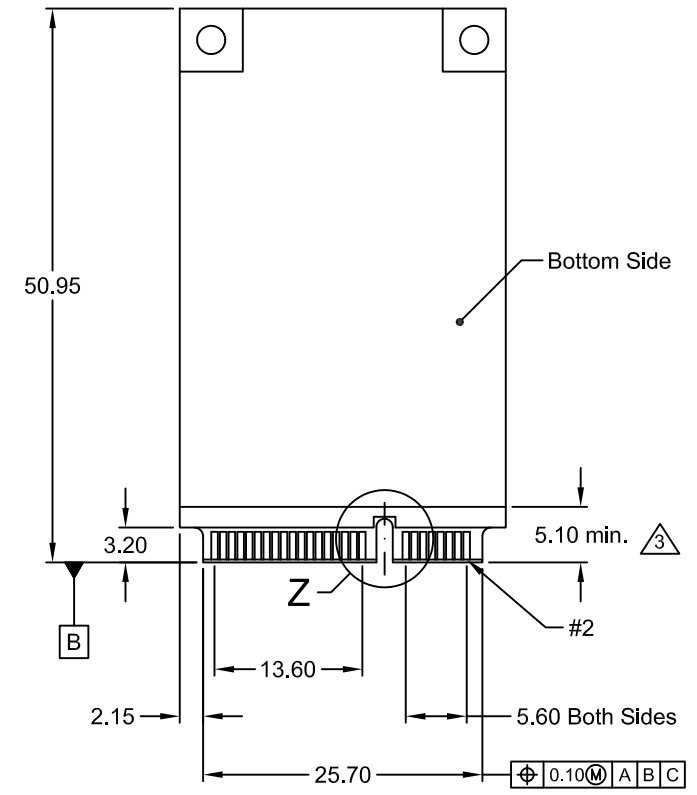
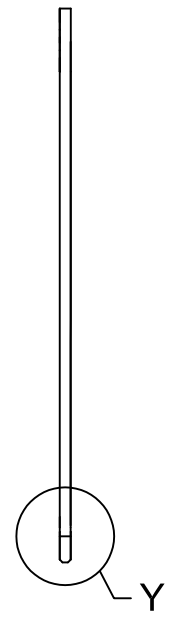
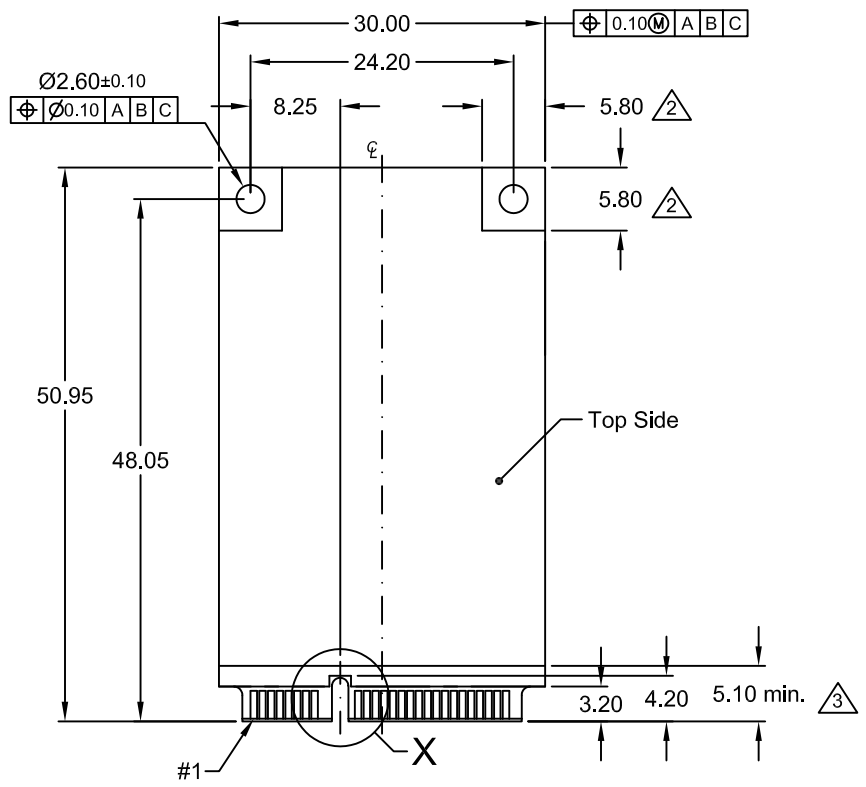
How to order "Latch" Module Fixing Hardware				
Order Code (for bolt & screw)	DIM "B3"	for Connector height Option	X.X Mark	DIM "C"
DLT-160-MPE40-99/B	1.60mm	L	4.0	5.15mm
DLT-280-MPE52-99/B	2.80mm	P	5.2	6.35mm
DLT-320-MPE56-99/B	3.20mm	F	5.6	6.75mm
DLT-360-MPE60-99/B	3.60mm	T	6.0	7.15mm
DLT-440-MPE68-99/B	4.40mm	W	6.8	7.95mm
DLT-560-MPE80-99/B	5.60mm	M	8.0	9.15mm
DLT-660-MPE90-99/B	6.60mm	C	9.0	10.15mm
DLT-680-MPE92-99/B	6.80mm	G	9.2	10.35mm
DLT-750-MPE99-99/B	7.50mm	D	9.9	11.05mm



UNIT	mm	GENERAL TOLERANCE		DRAWN	RH	DATE	13.10.2008	DWG. NO.	MPE-052-RXB9	SHEET 3/4
SCALE	Free	X° ±	X. ±	CHECK	Ronny	DATE	14.11.2014	SERIES NO.	MPE-052-RXB9-55/X	REV. C
		.XX° ±	.XX ± 0.10	APPROVE	Hogi	DATE	17.11.2014			
		.XXX° ±	.XXX ±							

**PCB Layout Recommendation**  
and "Latch" Fixing Hardware for  
Mini PCI-Express Connector  
MPE-052-RXB9-55/X

REV.	DESCRIPTION	DATE	DRAWN
A	NEW	09.10.2005	RH
B	design update	18.01.2012	Ronny
C	design update + RoHS	14.11.2014	Ronny



**Note:**  
 1. pin numbering reference:  
 odd pins-top side  
 even pins-bottom side  
 ⚠ component and routing (all layers)  
 keep out area for hold down solutions  
 ⚠ component keep out area for connector

Detail X

Detail Y

Detail Z



UNIT mm	GENERAL TOLERANCE		DRAWN RH	DATE 09.10.2005	DWG. NO. MPE-052-RXB9	SHEET 4/4							
	SCALE Free	X° ±					X. ±	CHECK Ronny	DATE 14.11.2014	SERIES NO. MPE-052-RXB9-55/X	REV. C		
		.XX° ±					.XX ± 0.10					APPROVE Hogi	DATE 17.11.2014
		.XXX° ±					.XXX ±						
		⚠					⚠						

**Recommended Module Design**  
 for Mini PCI-Express Connector  
 MPE-052-RXB9-55/X