

EMERIO®

AF-123543



®

Smart Fryer

(EN)

(DE)

(FR)

(SE)

(NL)

(PL)

EAC CE

Content – Inhalt – Teneur – Innehåll – Inhoud – Treść

| | |
|------------------------------------|--------|
| Instruction manual – English | - 2 - |
| Bedienungsanleitung – German | - 9 - |
| Mode d'emploi – French | - 18 - |
| Bruksanvisning – Swedish | - 26 - |
| Gebruiksaanwijzing – Dutch | - 33 - |
| Instrukcja obsługi – Polish | - 41 - |

IMPORTANT SAFEGUARD INSTRUCTIONS

When using electrical appliances, basic safety precautions should always be followed:

Read all instructions.

1. This appliance can be used by children aged from 8 years and above and persons with reduced physical, sensory or mental capabilities or lack of experience and knowledge if they have been given supervision or instruction concerning use of the appliance in a safe way and understand the hazards involved.
2. Children shall not play with the appliance.
3. Cleaning and user maintenance shall not be made by children unless they are older than 8 and supervised.
4. Keep the appliance and its cord out of reach of children less than 8 years.
5. If the supply cord is damaged, it must be replaced by the manufacturer, its service agent or similarly qualified persons in order to avoid a hazard.
6. In case of damage, caused through not paying attention to this instruction manual, the warranty expires at once. The manufacturer/importer does not accept any liability for damage caused as a result of ignorance of the user manual, careless usage or the usage against the instructions in this manual.
7. This product can only be used according to its rated information printed on the rating label.
8. This product is for indoor use only! It is not suitable for outdoor use.
9. Please prevent the product to be exposed to excessive dirt and humidity.
10. Any other way of operating the product, except the described one, will lead to dangers such as short circuit,

fire or else. It is not allowed to modify this product in any way and the housing has not to be opened, otherwise the product will not be any longer in compliance with its safety class.

11. Never connect or disconnect the plug with wet hands.
12. Never unplug the plug by pulling the power supply cord. Always pull the plug itself.
13. During installation/cleaning, please pay attention that the power supply cord will not be squeezed or damaged.
14. Always disconnect the appliance from the mains and allow the product to cool down to room temperature: before storing away the appliance; before cleaning or maintenance; after use; if you are not going to use it for a long period of time.
15. Clean the product itself with a slightly damp cloth.
16. Never replace a damaged power supply cord by yourself. In such case, or in case of malfunction, contact an authorized electrician/service centre for examination, repair or adjustment because special tools are required.
17. Make sure that the power supply cord does not come into contact with any parts, which generate excessive heat.
18. If you assume that the operating of the product without danger is not any longer possible please make sure that the product will be disconnected and not used any longer. The safe operation of this product is not any longer possible, if: the product or the power supply cord is damaged in any way; the product does not work any longer; after a longer storage under unfavourable conditions; after heavy damage through transportation.
19. Never immerse the plug or the appliance in water or other liquid.
20. Never place the appliance directly into corners and under flammable materials such as curtains, cupboards etc.
21. Never leave the appliance unattended during use.

22. The machine should not be operated by means of an external timer-switch or by means of a separate system with remote control.

23. This appliance is not designed for commercial use.

24. **WARNING!!**



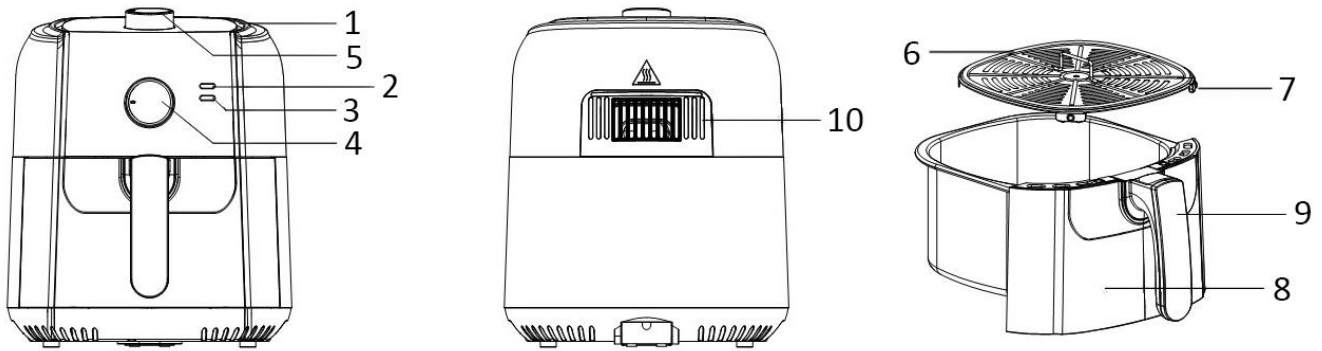
Please do not touch surface while in use. The temperature of accessible surfaces may be high when the appliance is operating.

25. Regarding the instructions for cleaning the surfaces which come in contact with food or oil, please refer to the paragraph “CLEANING AND MAINTENANCE” of the manual.

26. Hot air comes out of the air vent at the back side of the appliance. Be sure to keep sufficient distance to materials, like glass, that are sensitive to heat.

27. If you use products with non-stick surfaces, please make sure no birds are in the same room and that the room can be completely closed off and well-ventilated.

PARTS DESCRIPTION



1. Air inlet
2. Heating light
3. Power light
4. Timer knob
5. Temperature control knob
6. Frying grill
7. Silicone case
8. Basket
9. Basket handle
10. Air outlet

BEFORE USE

First read all instructions before use and retain the manual for later reference. Only plug this appliance into an earthed socket. Before first use, remove the packing materials. Clean the basket and frying grill. (See "CLEANING AND MAINTENANCE") Wipe inside and outside of the appliance with a soft cloth. Make sure that the electrical parts remain dry. **This appliance heats food at all directions and most of the ingredients do not need any oil.**

NOTE: Always use the frying grill with the silicone cases covered. They will help to stabilize the frying grill in the basket during cooking.

USE

1. Place the appliance on a dry, stable and heat-resistant surface.
2. Since the appliance becomes hot during use, make sure that it is not too close to other objects.
3. Pull out the basket from the appliance by the basket handle. Put the frying grill into the basket.
4. Place the ingredients into the basket. (Do not exceed the MAX level indicated inside the basket.) Slide the basket into the appliance. Make sure they are placed correctly and closed completely. Otherwise the appliance will not work. Caution: Do not touch the basket during use or after use in short time as it gets very hot. Only hold the basket by the handle.
5. Connect the power plug to a suitable outlet.
6. Set the temperature control knob to the required temperature setting, which is suitable for what you are frying. Consult the temperature table.
7. Turn the timer knob to choose the appropriate frying time and the appliance is switched on.
8. The power light illuminates when the appliance is switched on. The heating light comes on and goes out from time to time during the hot air frying process. This indicates that the heating element is switched on and off to maintain the set temperature.

9. When the cooking is finished, you will hear the timer bell rings. You can also switch off the appliance manually by turning the timer knob to "0".
10. Pull out the basket from the appliance by the basket handle. Check if the ingredients are ready. If not, simply slide the basket back into the appliance and set the timer to a few extra minutes.
11. Note: The basket and the ingredients are hot after frying. Depending on the type of the ingredients in the appliance, steam may escape from the basket.
12. Empty the basket, putting the food into a bowl or onto a plate. To remove large or fragile ingredients, lift the ingredients out of the basket by a pair of tongs.
To remove ingredients (e.g. beef, chicken, meat, any ingredients with original oil and will have excess oil from ingredients collected on the bottom of the basket), please use tongs to pick ingredients one by one.
To remove ingredients (e.g. chips, vegetable or ingredients with no excess oil from the ingredients), please pull out the basket, and pour ingredients to tableware.
13. After the cooking is done, the appliance is instantly ready for preparing another batch of ingredients if needed.

FRYING TIPS

1. The optimal amount for crispy fries is 750 grams.
2. Add 2 minutes to preparation time if the appliance is cold. Preheat the appliance without any ingredients inside. Turn the timer knob to more than 2 minutes and wait until the heating light goes out. Then fill the basket with ingredients and turn the timer knob to the required time.
3. Shake or turn smaller ingredients halfway. By this way food will be fried evenly. Pull the basket out of the appliance by the handle and shake it. Then slide the basket back into the appliance.
4. You can also use the fryer to reheat ingredients.
5. Ingredients with crust of dry breadcrumbs will get crispier by spraying them with a little vegetable oil.
6. Place a baking tin or an oven dish (after removing the frying grill) in the appliance if you want to bake a cake or quiche or other fragile ingredients.

CAUTION:

1. Do not immerse the housing in water or rinse it under the tap.
2. Avoid any liquid entering the appliance to prevent from electric shock or short circuit.
3. Keep all ingredients in the basket to prevent any contact with heating elements.
4. Do not cover the air inlet and the outlet when the appliance is working. Leave at least 10cm free space around and above the appliance.
5. Filling the basket with oil may cause a fire hazard!
6. Do not touch the inside of the appliance when it is in operation.
7. Be careful of the hot steam and air when you remove the basket from the appliance.
8. During operation, hot steam is released through the air outlet. Keep your hands and face at a safe distance from the steam and the air outlet.
9. Immediately turn off and unplug the appliance if you see any dark smoke coming out of the appliance, which means the food is overcooked or the appliance broke down.
10. Before handling or cleaning the appliance, let it cool down for approximately 30 minutes.

FRYING TABLE

This table shows the food product quantities and required temperature and frying times. If the instructions on the product pack deviate from the values shown in this table, the instructions on the pack should be followed.

| Type | Minimum-Maximum food ingredients amount (g) | Time (minutes) | Temperature (°C) | Overturning | Additional information |
|------------|---|----------------|------------------|-------------|-------------------------|
| Chips | 600-900 | 18-25 | 200 | Overturning | |
| rib | 350-450 | 15-20 | 180 | Overturning | |
| Shrimp | 150-250 | 15-20 | 160 | Overturning | |
| Cake | 550-650 8-10 cups | 20-30 | 160 | Overturning | |
| Drumstick | 700-900 10-13 PCS | 20-25 | 180 | Overturning | Adding 1/2 spoon of oil |
| Beef steak | 450 3-5 pcs | 15-25 | 160 | Overturning | Adding 1/2 spoon of oil |
| Fish | 200-300 | 15-20 | 180 | Overturning | |

CLEANING AND MAINTENANCE

1. Clean the appliance on all the inside and outside regularly.
2. Clean the outside and inside of the appliance with a damp cloth and dry with a soft clean cloth.
3. Never use abrasive cleaners or sponges.
4. Remove the basket to let the appliance cool down more quickly. Clean the basket and frying grill in hot water with a washing liquid and a non-abrasive sponge. Dry well before use.
5. Clean the heating element inside of the housing (You can see it after pulling out the basket) with a cleaning brush to remove any food residue.

Note: The basket and frying grill are dishwasher safe.

TROUBLE SHOOTING

| Problem | Possible cause | Solution |
|---|---|---|
| The appliance does not work. | The appliance is not plugged in. | Put the mains plug in an earthed wall socket. |
| | You have not set the timer. | Turn the timer knob to the required preparation time to switch on the appliance. |
| The ingredients are not fried completely. | The amount of the food in the basket is over. | Put smaller batches of ingredients in the basket. Smaller batches are fried more evenly. |
| | The temperature is too low. | Turn the temperature control knob to the required temperature. |
| The ingredients are fried unevenly. | Different types of food may need to be shaken halfway. | Shake food halfway. |
| Basket cannot be slid into the housing properly. | Too much food in the basket. | Put less amount of food in the basket. |
| White smoke comes out from the appliance. | You are preparing greasy ingredients. | When you fry greasy ingredients, oil will leak into the basket. The oil produces white smoke and the basket may heat up. This does not affect the cooking result or hurt the appliance. |
| | The basket still contains grease residue from previous use. | Clean the basket properly after each use. |

TECHNICAL DATA

Operating voltage: 220-240V ~ 50-60Hz

Power consumption: 1400W

GUARANTEE AND CUSTOMER SERVICE

Before delivery our devices are subjected to rigorous quality control. If, despite all care, damage has occurred during production or transportation, please return the device to your dealer. In addition to statutory legal rights, the purchaser has an option to claim under the terms of the following guarantee:

For the purchased device we provide 2 years guarantee, commencing from the day of sale. If you have a defective product, you can directly go back to the point of purchase.

Defects which arise due to improper handling of the device and malfunctions due to interventions and repairs by third parties or the fitting of non-original parts are not covered by this guarantee. Always keep your receipt, without the receipt you can't claim any form of warranty. Damage caused by not following the instruction manual, will lead to a void of warranty, if this results in consequential damages then we will not be liable. Neither can we hold responsible for material damage or personal injury caused by improper use or if the instruction manual are not properly executed. Damage to accessories does not mean free replacement of the whole appliance. In such case please contact our service department. Broken glass or breakage of plastic parts is always subject to a charge. Defects to consumables or parts subjected to wearing, as well as cleaning, maintenance or the replacement of said parts are not covered by the warranty and are to be paid.

ENVIRONMENT FRIENDLY DISPOSAL



Recycling – European Directive 2012/19/EU

This marking indicates that this product should not be disposed with other household wastes. To prevent possible harm to the environment or human health from uncontrolled waste disposal,

recycle it responsibly to promote the sustainable reuse of material resources. To return your used device, please use the return and collection systems or contact the retailer where the product was purchased. They can take this product for environmental safe recycling.

Emerio Deutschland GmbH (no service address)

Höffer Weg 14

51519 Odenthal

Germany

Customer service:

T: +49 (0) 3222 1097 600

E: info.de@emerio.eu

WICHTIGE SICHERHEITSANWEISUNGEN

Beim Einsatz von elektrischen Geräten müssen grundlegende Sicherheitsvorkehrungen immer berücksichtigt werden:

Lesen Sie bitte alle Anweisungen.

1. Dieses Gerät kann von Kindern ab 8 Jahren sowie von Personen mit reduzierten physischen, sensorischen oder mentalen Fähigkeiten oder Mangel an Erfahrung und/oder Wissen benutzt werden, wenn sie beaufsichtigt oder bezüglich des sicheren Gebrauchs des Gerätes unterwiesen wurden und die daraus resultierenden Gefahren verstanden haben.
2. Kinder dürfen nicht mit dem Gerät spielen.
3. Reinigung und die Wartung durch den Benutzer dürfen nicht durch Kinder vorgenommen werden, es sei denn, sie sind 8 Jahre oder älter und beaufsichtigt.
4. Das Gerät und seine Anschlussleitung sind von Kindern jünger als 8 Jahre fernzuhalten.
5. Wenn die **Netzanschlussleitung** dieses Gerätes beschädigt wird, muss sie durch den Hersteller oder seinen Kundendienst oder eine ähnlich qualifizierte Person ersetzt werden, um Gefährdungen zu vermeiden.
6. Bei Beschädigungen, die aus einer Missachtung dieser Bedienungsanleitung resultieren, erlischt umgehend die Garantie. Der Hersteller/Importeur übernimmt keine Haftung für Schäden auf Grund von Nichtbeachtung der Bedienungsanleitung, unvorsichtigem Gebrauch des Geräts bzw. Gebrauch entgegen den in dieser Anleitung gegebenen Anweisungen.
7. Dieses Produkt darf ausschließlich in Übereinstimmung mit den auf dem Typenschild angegebenen Daten betrieben werden.

8. Dieses Produkt ist ausschließlich für den Gebrauch im Innenbereich vorgesehen! Es darf im Außenbereich nicht eingesetzt werden.
9. Schützen Sie dieses Gerät bitte vor übermäßiger Schmutz- bzw. Feuchtigkeitseinwirkung.
10. Jeder Einsatz des Geräts, der nicht den hier beschriebenen Vorgehensweisen entspricht, birgt Gefahren, wie beispielsweise Kurzschlüsse, Brände o. ä. Jegliche Veränderungen an diesem Gerät sind unzulässig und das Gehäuse darf nicht geöffnet werden, da das Gerät sonst die Anforderungen seiner Schutzklasse nicht mehr erfüllt.
11. Niemals den Netzstecker mit nassen Händen ein- bzw. ausstecken!
12. Niemals den Netzstecker an der Zuleitung aus der Steckdose ziehen! Ziehen Sie grundsätzlich nur direkt am Stecker!
13. Während der Einrichtung/Reinigung des Geräts bitte darauf achten, dass die Netzzuleitung nicht gequetscht bzw. beschädigt wird.
14. Trennen Sie das Gerät in folgenden Situationen immer von der Netzversorgung und lassen Sie es auf Raumtemperatur abkühlen: Bevor Sie das Gerät wegräumen; Vor der Reinigung bzw. Wartung; Nach dem Gebrauch; Falls das Gerät für längere Zeit nicht benutzt wird.
15. Reinigen Sie das Gerät mit einem leicht feuchten Tuch.
16. Wechseln Sie eine beschädigte Netzzuleitung niemals selber aus. Nehmen Sie in einem solchen Fall bzw. bei Fehlfunktionen des Gerätes bitte Kontakt zu einer autorisierten Elektrofachkraft bzw. einem entsprechenden Kundendienst auf. Die erforderlichen Überprüfungs-, Reparatur- bzw. Einstellarbeiten können nur hier vorgenommen werden, da Spezialwerkzeuge benötigt werden.
17. Stellen Sie sicher, dass die Netzzuleitung nicht mit Teilen in Berührung kommt, die sich stark erhitzen.

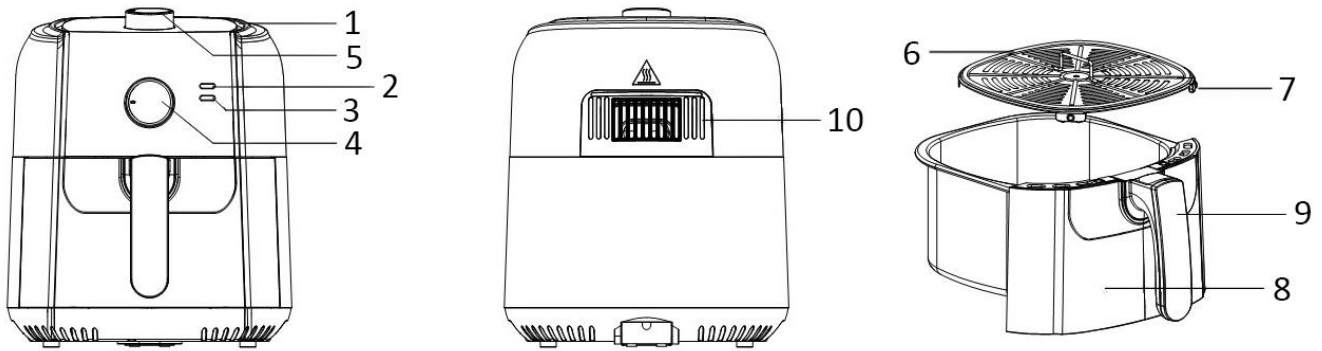
18. Wenn Sie der Ansicht sind, dass das Gerät nicht mehr gefahrlos betrieben werden kann, sorgen Sie bitte dafür, dass es von der Netzspannung getrennt und nicht weiter verwendet wird. Der sichere Betrieb des Gerätes ist nicht mehr gewährleistet, falls: Das Gerät bzw. die Netzzuleitung in irgendeiner Weise beschädigt ist; Das Gerät keine Funktion mehr hat; Das Gerät über längere Zeit unter ungünstigen Bedingungen gelagert wurde; Das Gerät stark transportbeschädigt ist.
19. Tauchen Sie den Netzstecker bzw. das Gerät niemals in Wasser bzw. sonstige Flüssigkeiten ein!
20. Stellen Sie das Gerät niemals unmittelbar in Ecken und unter brennbare Materialien wie beispielsweise Vorhänge, Regale etc.
21. Lassen Sie das Gerät niemals beim Betrieb unbeaufsichtigt.
22. Das Gerät darf nicht mit Hilfe einer externen Zeitschaltuhr oder eines separaten Systems mit Fernbedienung eingeschaltet werden.
23. Dieses Gerät wurde nicht für den gewerblichen Gebrauch entworfen.
24. **WARNHINWEIS!!**



- Berühren Sie die heißen Oberflächen nicht während des Betriebs, sie werden sehr heiß. Während des Gerätebetriebs kann die Temperatur der zugänglichen Oberflächen sehr hoch werden.
25. In Bezug auf die Anweisungen zur Reinigung der Oberflächen, die mit Lebensmitteln oder Öl in Berührung kommen entnehmen Sie bitte dem Abschnitt "REINIGUNG UND INSTANDHALTUNG" des Handbuchs.
 26. Aus dem Lüftungsschlitz an der Rückseite des Gerätes kommt heiße Luft. Achten Sie darauf, ausreichend Abstand zu Material, das hitzeempfindlich ist, wie zum Beispiel Glas, einzuhalten.

27. Wenn Sie Produkte mit Antihafbeschichtung benutzen, stellen Sie bitte sicher, dass sich keine Vögel im gleichen Zimmer befinden und dass das Zimmer komplett geschlossen und gut belüftet werden kann.

BESCHREIBUNG



1. Lufteintrittsöffnung
2. Temperaturanzeige
3. Betriebsanzeige
4. Timerknopf
5. Temperaturregler
6. Frittireinsatz
7. Silikonvorsprung
8. Frittierkorb
9. Frittierkorbgriff
10. Luftaustrittsöffnung

VOR DEM GEBRAUCH

Lesen Sie alle Anleitungen vor dem Gebrauch und bewahren Sie die Bedienungsanleitung zum Nachlesen auf. Schließen Sie dieses Gerät ausschließlich an eine geerdete Steckdose an. Entfernen Sie vor der Erstinutzung das Verpackungsmaterial. Frittierkorb und Frittireinsatz reinigen. (siehe "REINIGUNG UND INSTANDHALTUNG"). Reinigen Sie das Gerät innen und außen mit einem weichen Tuch. Achten Sie hierbei darauf, dass die elektrischen Bauteile trocken bleiben. **Dieses Gerät erhitzt Lebensmittel vollständig und für die meisten Zutaten kann auf eine Hinzugabe von Öl verzichtet werden.**

HINWEIS: Benutzen Sie den Frittireinsatz immer so, dass die Silikonvorsprünge bedeckt sind. Sie helfen, den Frittireinsatz während des Garvorgangs im Frittierkorb zu stabilisieren.

GEBRAUCH

1. Stellen Sie das Gerät auf eine trockene, feste und hitzebeständige Fläche.
2. Das Gerät wird während des Gebrauchs heiß; stellen Sie es daher nicht in die unmittelbare Nähe anderer Objekte.
3. Frittierkorb am Frittierkorbgriff aus dem Gerät ziehen. Frittireinsatz in den Frittierkorb stellen.
4. Speisen in den Frittierkorb geben. (Nicht die MAX-Markierung im Frittierkorb überschreiten.) Frittierkorb in das Gerät schieben. Achten Sie darauf, dass der Korb korrekt eingesetzt und das Gerät komplett geschlossen ist. Andernfalls wird das Gerät nicht funktionieren. Vorsicht: Berühren Sie den Frittierkorb nicht während des Betriebs oder kurz nach dem Betrieb, da er sehr heiß wird. Fassen Sie den Frittierkorb nur am Griff an.
5. Schließen Sie den Netzstecker an eine passende Steckdose an.
6. Stellen Sie den Temperaturregler auf die gewünschte, für Ihre Zutaten passende Temperatur ein. Beachten Sie die Temperaturtabelle.

7. Drehen Sie den Zeitschaltuhr-Regler, um die entsprechende Frittierdauer auszuwählen. Das Gerät ist nun eingeschaltet.
8. Die Betriebsanzeige leuchtet auf, wenn das Gerät eingeschaltet ist. Die Aufheizanzeige schaltet sich während des Heißluftfrittierens ein und aus. Dadurch wird angezeigt, dass das Heizelement ein- und ausgeschaltet wird, um die eingestellte Temperatur konstant zu halten.
9. Die Zeitschaltuhr klingelt, sobald die Zubereitung beendet ist. Sie können das Gerät ebenso manuell ausschalten, indem Sie den Zeitschaltuhr-Regler auf "0" drehen.
10. Frittierkorb am Frittierkorbgriff aus dem Gerät ziehen. Prüfen Sie, ob die Speisen gar sind. Falls nicht, schieben Sie den Frittierkorb einfach zurück in das Gerät und stellen Sie den Timer für einige zusätzliche Minuten ein.
11. Hinweis: Frittierkorb und Speisen sind nach dem Frittieren heiß. Je nach Art der Speisen im Gerät kann aus dem Frittierkorb Dampf entweichen.
12. Leeren Sie den Einsatz und legen Sie die Speisen in eine Schüssel oder auf einen Teller. Nehmen Sie große oder zerbrechliche Zutaten mithilfe einer Zange aus dem Einsatz.
Nehmen Sie solche Speisen wie z. B. Rindfleisch, Huhn, andere Fleischsorten oder fetthaltige Speisen (das überschüssige Fett der Speisen sammelt sich auf dem Boden des Frittierkorbs) bitte einzeln mit einer Zange heraus.
Ziehen Sie zum Herausnehmen von solchen Speisen wie z.B. Pommes frites, Gemüse oder nicht fetthaltige Zutaten den Frittierkorb heraus und geben Sie die Speisen auf das Geschirr.
13. Nach beendetem Garen ist das Gerät sofort für die Zubereitung einer weiteren Zutatenportion bereit.

FRITTIERTIPPS

1. Die optimale Menge für knusprige Pommes frites ist 750 Gramm.
2. Verlängern Sie die Vorbereitungszeit um 2 Minuten, wenn das Gerät kalt ist. Heizen Sie das Gerät ohne Inhalt vor. Stellen Sie den Zeitschaltuhr-Regler auf über 2 Minuten und warten Sie, bis die Aufheizanzeige erlischt. Füllen Sie dann die Zutaten in den Einsatz und stellen Sie den Zeitschaltuhr-Regler auf die erforderliche Zeit.
3. Schütteln oder wenden Sie kleinere Zutaten nach der Hälfte der Zeit. Auf diese Weise werden die Lebensmittel gleichmäßig frittiert. Frittierkorb am Griff aus dem Gerät ziehen und schütteln. Dann den Frittierkorb zurück ins Gerät schieben.
4. Sie können die Fritteuse auch für das Wiedererwärmen von Zutaten verwenden.
5. Speisen mit einer Paniermehl-Kruste werden knuspriger, wenn sie mit etwas Speiseöl besprüht werden.
6. Stellen Sie eine Backform oder eine Auflaufform (nach dem Entnehmen des Frittierensatzes) in das Gerät, wenn Sie einen Kuchen, eine Quiche oder andere leicht zerbrechende Speisen backen möchten.

VORSICHT:

1. Tauchen Sie das Gehäuse nicht ins Wasser und spülen Sie es nicht unter dem Wasserhahn ab.
2. Vermeiden Sie das Eindringen von Flüssigkeiten in das Gerät, um einen Stromschlag oder Kurzschluss zu verhindern.
3. Geben Sie die Zutaten ausschließlich in den Einsatz und vermeiden Sie so, dass die Zutaten in Kontakt mit den Heizelementen kommen.
4. Der Luftein- und -auslass darf während der Betriebszeit des Geräts nicht abgedeckt werden. Lassen Sie mindestens 10 cm Platz rund um und über dem Gerät.
5. Wenn Öl in den Frittierkorb gefüllt wird, besteht Brandgefahr!
6. Berühren Sie nicht die Innenseite des Gerätes, wenn es läuft.
7. Vorsicht mit heißem Dampf und heißer Luft, wenn der Einsatz aus dem Gerät genommen wird.

8. Während des Betriebs strömt heißer Dampf aus dem Luftauslass. Halten Sie mit Händen und Gesicht einen sicheren Abstand zum Luftauslass und Dampf.
9. Schalten Sie das Gerät sofort aus und ziehen Sie den Gerätestecker aus der Steckdose, wenn Sie dunklen Rauch aus dem Gerät quellen sehen. Das bedeutet, dass die Speisen verbrannt sind oder dass Fehlfunktionen auftreten.
10. Lassen Sie das Gerät für ca. 30 Minuten abkühlen, bevor Sie es anfassen oder säubern.

FRITTIER-TABELLE

In dieser Tabelle sind die Lebensmittelmengen, die erforderlichen Temperaturen und Frittierzeiten angegeben. Falls die Anweisungen auf der jeweiligen Produktverpackung von den Tabellenwerten abweichen sollten, sind die Anweisungen auf der Verpackung zu befolgen.

| Art | Mindest- bis Höchstmenge (g) der Zutaten | Garzeit (Minuten) | Temperatur (°C) | Umdrehen | Zusätzliche Informationen |
|------------------|--|-------------------|-----------------|----------|---------------------------|
| Pommes frites | 600-900 | 18-25 | 200 | Umdrehen | |
| Rippchen | 350-450 | 15-20 | 180 | Umdrehen | |
| Garnelen | 150-250 | 15-20 | 160 | Umdrehen | |
| Kuchen | 550-650 8-10 Cups | 20-30 | 160 | Umdrehen | |
| Hähnchenschenkel | 700-900 10-13 Stk. | 20-25 | 180 | Umdrehen | 1/2 Löffel Öl dazugeben |
| Beefsteak | 450 3-5 Stk. | 15-25 | 160 | Umdrehen | 1/2 Löffel Öl dazugeben |
| Fisch | 200-300 | 15-20 | 180 | Umdrehen | |

REINIGUNG UND INSTANDHALTUNG

1. Reinigen Sie das Gerät regelmäßig von innen und außen.
2. Säubern Sie die Außen- und Innenseite des Geräts mit einem feuchten Tuch und reiben Sie es mit einem weichen, sauberen Tuch trocken.
3. Keinesfalls scheuernde Reiniger oder Schwämme verwenden.
4. Frittierkorb herausnehmen, damit sich das Gerät schneller abkühlen kann. Frittierkorb und Frittierinsatz in heißem Wasser mit Geschirrspülmittel und einem nicht scheuernden Schwamm abwaschen. Vor dem Gebrauch gründlich abtrocknen.
5. Etwaige Speisereste vom Heizelement im Gehäuse (wird nach der Entnahme des Frittierkorbs sichtbar) mit einer Reinigungsbürste entfernen.

Hinweis: Frittierkorb und Frittierinsatz sind spülmaschinenfest.

FEHLERBEHEBUNG

| Problem | Mögliche Ursache | Lösung |
|---|--|--|
| Das Gerät funktioniert nicht. | Das Gerät ist nicht am Strom angeschlossen. | Den Netzstecker an eine geerdete Wand-Steckdose anschließen. |
| | Die Zeitschaltuhr wurde nicht eingestellt. | Stellen Sie den Zeitschaltuhr-Regler auf die erforderliche Zubereitungszeit ein, um das Gerät einzuschalten. |
| Die Zutaten sind nicht durchgegart. | Die Menge der Lebensmittel ist für den Einsatz zu groß. | Fügen Sie kleinere Mengen an Zutaten in den Einsatz. Kleinere Mengen werden gleichmäßiger frittiert. |
| | Die Temperatur ist zu gering. | Drehen Sie den Temperaturregler auf die erforderliche Temperatur. |
| Die Zutaten sind ungleichmäßig frittiert. | Bestimmte Arten von Lebensmittel müssen eventuell nach der Hälfte der Zeit geschüttelt werden. | Lebensmittel nach der Hälfte der Zeit schütteln. |
| Der Einsatz kann nicht ordnungsgemäß in das Gehäuse eingesetzt werden. | Es sind zu viele Lebensmittel im Einsatz. | Geben Sie weniger Lebensmittel in den Einsatz. |
| Aus dem Gerät steigt weißer Rauch. | Sie bereiten fettige Zutaten zu. | Beim Frittieren fetthaltiger Speisen tropft Öl bzw. Fett in den Frittierkorb. Das Fett bzw. Öl erzeugt weißen Rauch und der Frittierkorb kann sich erhitzen. Das beeinträchtigt weder das Kochergebnis noch wird das Gerät beschädigt. |
| | Es befinden sich noch Fettreste von der letzten Benutzung im Frittierkorb. | Frittierkorb nach jeder Benutzung gründlich reinigen. |

TECHNISCHE DATEN

Betriebsspannung: 220-240V ~ 50-60Hz

Leistungsaufnahme: 1400W

GARANTIE UND KUNDENSERVICE

Vor der Lieferung werden unsere Geräte einer strengen Qualitätskontrolle unterzogen. Wenn, trotz aller Sorgfalt, während der Produktion oder dem Transport Beschädigungen aufgetreten sind, senden Sie das Gerät zurück an den Händler. Zusätzlich zu den gesetzlichen Rechten hat der Käufer die Option, gemäß den folgenden Bedingungen Garantie zu fordern:

Wir bieten eine 2-jahres-Garantie für das erworbene Gerät, beginnend am Tag des Verkaufs. Defekte, die aufgrund von unangemessenem Umgang mit dem Gerät entstehen und Störungen aufgrund von Eingriffen und Reparaturen Dritter oder das Montieren von nicht-Originalteilen werden nicht von dieser Garantie abgedeckt. Die Quittung immer aufbewahren, ohne Quittung wird jegliche Garantie ausgeschlossen. Bei Schäden durch Nichteinhalten der Bedienungsanleitung erlischt die Garantie, Wir sind für daraus resultierende Folgeschäden nicht haftbar. Für Materialschäden oder Verletzungen aufgrund falscher Anwendung oder Nichtbefolgen der Sicherheitshinweise sind wir nicht haftbar. Schäden an den Zubehörteilen bedeutet nicht, dass das gesamte Gerät kostenlos ausgetauscht wird. In diesem Fall kontaktieren Sie unseren Kundendienst. Zerbrochenes Glas oder Kunststoffteile sind immer kostenpflichtig. Schäden an Verbrauchsmaterialien oder Verschleißteilen, sowie Reinigung, Wartung oder Austausch der besagten Teile werden durch die Garantie nicht abgedeckt und sind deshalb kostenpflichtig.

UMWELTGERECHTE ENTSORGUNG



Wiederverwertung – Europäischen Richtlinie 2012/19/EG

Dieses Symbol zeigt an, dass das Produkt nicht zusammen mit Haushaltsabfällen entsorgt werden darf. Um Umwelt- und Gesundheitsschäden durch unkontrollierte Abfallentsorgung zu verhindern, bitte verantwortungsbewusst entsorgen, um die nachhaltige Wiederverwertung von Ressourcen zu fördern. Nutzen Sie zur Rückgabe Ihres Altgeräts bitte die Rückgabe- und Sammelsysteme oder wenden Sie sich an den Händler bei dem Sie dieses Gerät erworben haben. Dieser kann das Gerät umweltschonend entsorgen.

Emerio Deutschland GmbH (no service address)

Höffer Weg 14

51519 Odenthal

Germany

Kundeninformation:

T: +49 (0) 3222 1097 600

E: info.de@emerio.eu

INSTRUCTIONS DE SECURITE IMPORTANTES

Nous vous recommandons de toujours respecter les mesures de précaution de sécurité suivantes en utilisant des appareils électriques:

Lisez toutes les instructions fournies.

1. Cet appareil peut être utilisé par des enfants à partir de 8 ans et plus et par des personnes ayant des capacités physiques, sensorielles ou mentales réduites ou un manque d'expérience et de connaissances à condition qu'elles aient reçu une supervision ou des instructions concernant l'utilisation de l'appareil en toute sécurité et qu'elles comprennent les dangers encourus.
2. Les enfants ne doivent pas jouer avec l'appareil.
3. Le nettoyage et l'entretien par l'utilisateur ne doivent pas être effectués par des enfants, sauf s'ils ont plus de 8 ans et qu'ils sont surveillés.
4. Maintenir l'appareil et son cordon hors de portée des enfants de moins de 8 ans.
5. Si le câble d'alimentation est endommagé, il doit être remplacé par le fabricant, son service après-vente ou des personnes de qualification similaire afin d'éviter un danger.
6. Votre droit à la garantie s'annule immédiatement dans le cas de dommages qui seraient provoqués par le non-respect des présentes instructions. Le fabricant/l'importateur rejette toute responsabilité pour les dommages provoqués par le non-respect du mode d'emploi, par un maniement négligeant ou contraire aux instructions du présent manuel.
7. Ce produit doit être utilisé exclusivement conformément aux données techniques nominales telles qu'elles sont indiquées sur la plaque signalétique de l'appareil.
8. Cet appareil électrique est destiné exclusivement à une utilisation à l'intérieur. Il n'est pas approprié pour les utilisations à l'extérieur.

9. Veuillez éviter d'exposer votre appareil électrique à des saletés ou à une humidité excessive.
10. Toute utilisation de l'appareil électrique autre que celle décrite ici conduira à des dangers tels que les courts-circuits, les incendies ou autres. Il ne vous est pas permis de modifier l'appareil de quelque manière que ce soit et d'ouvrir son caisson; l'appareil, dans ce cas, ne serait plus conforme à sa classe de sécurité.
11. Ne branchez et ne débranchez jamais le cordon d'alimentation de l'appareil lorsque vous avez les mains humides.
12. Ne débranchez jamais la fiche du cordon d'alimentation de l'appareil en tirant sur le cordon d'alimentation. Tenez toujours la fiche elle-même.
13. Pendant l'installation/le nettoyage, veuillez faire attention de ne pas coincer ou endommager le cordon d'alimentation.
14. Déconnectez toujours l'appareil du réseau électrique et laissez-le refroidir à la température ambiante: avant de ranger l'appareil; avant tout travail de nettoyage ou de maintenance; après l'utilisation; si vous n'envisagez pas de l'utiliser pendant une période prolongée.
15. Nettoyez le produit lui-même en utilisant un torchon légèrement humide.
16. Ne remplacez jamais de vos propres soins un cordon d'alimentation endommagé. Si le cordon d'alimentation est endommagé ou si vous constatez des dysfonctionnements, prenez contact avec un électricien ou centre de service à la clientèle agréé, ceci en vue du contrôle, de la réparation ou du réglage, car ces travaux exigent des outils spéciaux.
17. Assurez-vous que le cordon d'alimentation électrique n'entre pas en contact avec des pièces qui produisent une chaleur excessive.
18. Si vous estimez qu'il ne vous est plus possible d'utiliser votre appareil électrique sans risque, alors assurez-vous

que vous l'avez débranché et qu'il n'est plus utilisé. L'utilisation sans risque de cet appareil électrique n'est plus possible: Si l'appareil électrique ou son cordon d'alimentation est endommagé d'une façon quelconque; Si l'appareil électrique ne fonctionne plus; Après un stockage de longue durée sous des conditions défavorables; S'il présente des dommages sérieux provoqués par le transport.

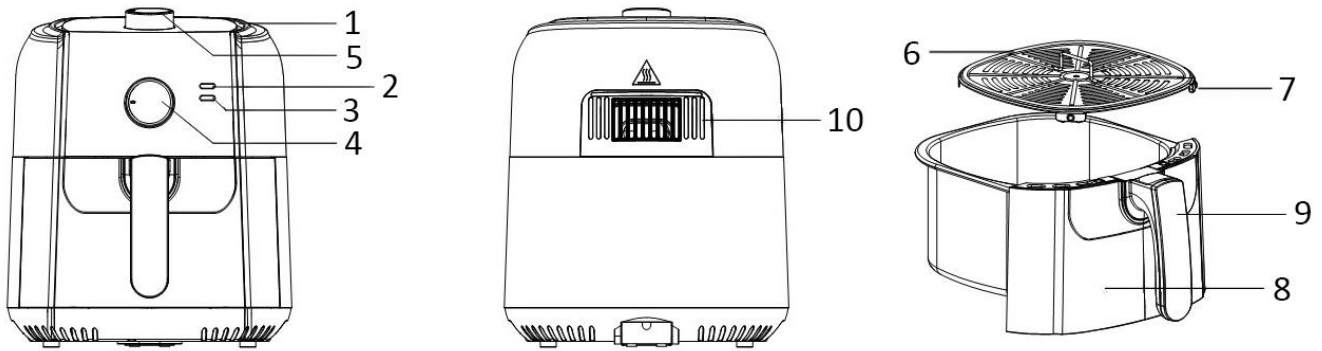
19. N'immergez jamais la fiche de raccordement ou l'appareil électrique dans de l'eau ou tout autre liquide.
20. Ne placez jamais votre l'appareil directement dans les coins ou sous des matériaux inflammables tels que les rideaux, les armoires, etc.
21. Ne laissez jamais l'appareil sans surveillance lorsqu'il est en marche.
22. L'appareil ne doit pas être mis en marche au moyen d'une prise minuteur externe ou au moyen d'un système de télécommande séparé.
23. Cet appareil n'est pas destiné à une utilisation commerciale.
24. Avertissement!!



Veillez ne pas toucher la surface pendant l'utilisation. La température des surfaces accessibles peut être élevée lorsque l'appareil est en fonctionnement.

25. Pour obtenir des instructions sur comment nettoyer les surfaces qui sont en contact avec des aliments ou de l'huile, reportez-vous au paragraphe «NETTOYAGE ET ENTRETIEN» du mode d'emploi.
26. De l'air chaud sort de la bouche d'aération située à l'arrière de l'appareil. Veillez à maintenir une distance suffisante des matériaux, tels que le verre, qui sont sensibles à la chaleur.
27. Si vous utilisez des produits antiadhésifs, veillez à ce qu'il n'y ait aucun oiseau dans la pièce et à ce que la pièce soit complètement fermée et bien aérée.

DESCRIPTION DES PIÈCES



1. Entrée d'air
2. Voyant de chauffe
3. Voyant d'alimentation
4. Bouton du minuteur
5. Bouton de la température
6. Grille de cuisson
7. Support siliconé
8. Panier
9. Poignée du panier
10. Sortie d'air

AVANT TOUTE UTILISATION

Lisez d'abord toutes les instructions avant utilisation et conservez-les pour consultation ultérieure. Utiliser cet appareil avec une prise équipée d'une mise à la terre seulement. Avant la première utilisation, retirez tous les éléments d'emballage. Clean the basket and frying grill. (Voir « NETTOYAGE ET ENTRETIEN »). Essuyez l'intérieur et l'extérieur de l'appareil avec un tissu doux. Veillez à ne pas mouiller les composants électriques.

L'appareil fait chauffer les aliments de manière homogène, et une grande majorité d'ingrédients ne nécessitent aucune addition d'huile.

NOTE: Always use the frying grill with the silicone cases covered. They will help to stabilize the frying grill in the basket during cooking.

UTILISATION

1. Posez l'appareil sur une surface sèche, stable et thermorésistante.
2. L'appareil chauffe pendant son fonctionnement, ne pas le positionner à proximité d'autres objets inflammables.
3. Sortez le panier de l'appareil en saisissant la poignée du panier. Placez la grille dans le panier.
4. Mettez les ingrédients dans le panier. (Ne dépassez pas le niveau MAX indiqué dans le panier.) Insérez le panier dans l'appareil. Vérifiez qu'ils sont correctement positionnés et complètement fermés. Sinon l'appareil ne fonctionnera pas. Attention : Ne touchez pas le panier pendant l'utilisation ou peu après l'utilisation, car il devient très chaud. Saisissez le panier exclusivement par sa poignée.
5. Connectez le cordon d'alimentation à une prise murale adaptée.
6. Sélectionnez la température adaptée aux aliments que vous désirez faire frire. Pour savoir quels paramètres utiliser, consultez le tableau des températures ci-dessous.
7. Tournez le bouton minuterie pour régler la durée de friture appropriée et allumer l'appareil.

8. Le voyant d'alimentation s'allume quand l'appareil est allumé. Le voyant de chauffe s'allume et s'éteint de temps en temps pendant le processus de friture à l'air chaud. Cela indique que l'élément de chauffe s'allume et s'éteint en fonction de la température à atteindre puis à maintenir.
9. Une sonnerie retentit pour indiquer que le processus de cuisson est terminé. Vous pouvez également éteindre l'appareil manuellement en faisant tourner le bouton de la minuterie en position « 0 ».
10. Sortez le panier de l'appareil en saisissant la poignée du panier. Vérifiez que les ingrédients sont cuits. Si ce n'est pas le cas, réinsérez simplement le panier dans l'appareil et réglez le minuteur sur quelques minutes supplémentaires.
11. Remarque : Le panier et les ingrédients sont très chauds après la cuisson. Selon le type d'ingrédients mis dans l'appareil, de la vapeur peut sortir du panier.
12. Videz le panier, mettez les aliments dans un bol ou sur une assiette. Pour retirer les ingrédients fragiles ou grands, soulevez-les hors du panier avec une pince.
Pour retirer les ingrédients tels que le bœuf, le poulet, la viande et les ingrédients naturellement gras (dont le gras en excès est collecté au fond du panier), utilisez des pinces et saisissez-les un par un.
Pour retirer les ingrédients tels que les légumes et les ingrédients non gras, sortez le panier et versez les ingrédients dans un plat.
13. L'appareil peut immédiatement être utilisé pour frire un second lot d'aliments si désiré.

CONSEILS DE CUISSON

1. La quantité optimale de frites à frire à la fois est de 750 grammes.
2. Ajoutez 2 minutes à la durée de préparation si l'appareil est froid. Préchauffez l'appareil sans ingrédient dedans. Tournez le bouton minuterie sur une durée supérieure à 2 minutes et attendez que le voyant de chauffe s'éteigne. Puis mettez les ingrédients dans le panier et tournez le bouton minuterie sur la durée requise.
3. Secouez ou retournez les petits ingrédients à mi-cuisson. Cela rendra leur cuisson plus uniforme. Sortez le panier hors de l'appareil en le saisissant par sa poignée et secouez-le. Puis réinsérez le panier dans l'appareil.
4. La friteuse ne peut pas être utilisée pour réchauffer les ingrédients.
5. Vous pouvez pulvériser un peu d'huile végétale sur les ingrédients à panure sèche pour qu'ils soient plus croustillants.
6. Placez un moule ou un plat de four (après avoir enlevé la grille) dans l'appareil si vous voulez cuire un gâteau, une quiche ou d'autres préparations fragiles.

ATTENTION

1. Ne pas immerger l'appareil ou le rincer sous le robinet.
2. Ne pas verser d'eau à l'intérieur de l'appareil, pour éviter les risques de choc électrique ou de court-circuit.
3. Veiller à ce que les aliments ne débordent pas du panier, pour éviter tout contact avec les éléments chauffants.
4. Ne pas bloquer l'entrée ni la sortie d'air lorsque l'appareil est en fonctionnement. Laissez un espace vide de 10 cm autour et au-dessus de l'appareil.
5. Remplir le panier avec de l'huile peut engendrer un risque d'incendie !
6. Ne touchez pas l'intérieur de l'appareil quand il est en fonctionnement.
7. L'appareil peut laisser échapper de l'air très chaud à son ouverture.
8. De l'air chaud est relâché par la sortie d'air pendant le fonctionnement. Veillez à ne pas approcher ni vos mains ni votre visage de l'appareil en fonctionnement.
9. Éteignez et débranchez immédiatement l'appareil si vous voyez de la fumée noire sortir de l'appareil, car cela indique que les ingrédients sont trop cuits ou que l'appareil est en panne.

10. Attendez 30 minutes pour permettre à l'appareil de refroidir avant de le manipuler ou de le nettoyer.

TABLEAU DE DURÉES DE FRITURE

Le tableau de friture ci-après indique les quantités d'aliments ainsi que la température et le temps de friture respectifs requis. Respectez les instructions fournies sur l'emballage de vos aliments si elles diffèrent de celles fournies dans le tableau.

| Type | Quantité d'ingrédients minimum-maximum (g) | Durée (minutes) | Température (°C) | Renversement | Informations supplémentaires |
|----------|--|-----------------|------------------|--------------|------------------------------|
| Frites | 600-900 | 18-25 | 200 | Overturning | |
| Côtes | 350-450 | 15-20 | 180 | Overturning | |
| Crvettes | 150-250 | 15-20 | 160 | Overturning | |
| Gâteau | 550-650 8-10 verres | 20-30 | 160 | Overturning | |
| Pilons | 700-900 10-13 pièces | 20-25 | 180 | Overturning | Ajouter 1/2 cuillère d'huile |
| Steack | 450 3-5 pièces | 15-25 | 160 | Overturning | Ajouter 1/2 cuillère d'huile |
| Poisson | 200-300 | 15-20 | 180 | Overturning | |

NETTOYAGE ET ENTRETIEN

1. Nettoyez les surfaces internes et externes de l'appareil régulièrement.
2. Nettoyez les surfaces internes et externes de l'appareil avec un chiffon humide, puis séchez-les avec un chiffon sec et doux.
3. Ne jamais utiliser de nettoyeurs ni d'éponges abrasifs.
4. Retirez le panier pour laisser l'appareil refroidir plus rapidement. Nettoyez le panier et la grille à l'eau chaude avec du liquide vaisselle et une éponge non abrasive. Séchez-les complètement avant réutilisation.
5. Nettoyez l'élément chauffant dans le boîtier (vous pouvez le voir après avoir sorti le panier) avec une brosse de nettoyage pour enlever les résidus alimentaires.

Remarque : Le panier et la grille peuvent être lavés au lave-vaisselle.

DÉPANNAGE

| Problème | Cause possible | Solution |
|--|--|---|
| L'appareil ne fonctionne pas. | L'appareil n'est pas branché. | Branchez le cordon d'alimentation à une prise murale avec mise à la terre. |
| | Vous n'avez pas lancé la minuterie. | Faites tourner le bouton de la minuterie sur la durée de cuisson voulue pour allumer l'appareil. |
| Les ingrédients ne sont pas correctement frits. | La quantité d'aliment dépassait la limite maximum. | Cuisez les aliments en plus petites quantités. Une plus petite quantité permet d'assurer une cuisson plus homogène. |
| | La température sélectionnée est trop basse. | Tournez le sélecteur de température sur la valeur appropriée. |

| | | |
|---|---|---|
| Les ingrédients sont frits de manière irrégulière. | Certains aliments nécessitent d'être secoués à mi-cuisson. | Secouez les aliments à mi-cuisson. |
| Le panier ne glisse pas aisément en place. | Le panier est trop en surcapacité. | Remplissez-le d'une plus petite quantité d'aliments. |
| L'appareil émet de la fumée blanche. | Les aliments que vous préparez sont riches en graisse. | Quand vous faites cuire des ingrédients gras, de l'huile peut goutter dans le panier. L'huile produit de la fumée blanche et le panier peut chauffer. Cela n'affecte en rien la cuisson et n'est pas dangereux pour l'appareil. |
| | Le panier contient toujours des résidus gras de l'utilisation précédente. | Nettoyez correctement le panier après chaque utilisation. |

DONNÉES TECHNIQUES

Tension de fonctionnement : 220-240V ~ 50-60Hz

Consommation énergétique : 1400W

GARANTIE ET SERVICE APRÈS-VENTE

Nos appareils sont soumis à un contrôle de qualité strict avant d'être livrés. Si l'appareil a toutefois été endommagé lors de la production ou du transport en dépit des soins que nous lui donnons, retournez l'appareil au vendeur. En plus des droits juridiques, le client a la possibilité dans les limites de la garantie de déposer les réclamations suivantes:

Nous offrons une garantie de 2 ans pour l'appareil acheté à partir de la date de vente. Les défauts dus à une utilisation non conforme de l'appareil et les dommages dus à une intervention ou réparation faite par une tierce personne ou dus à l'installation de pièces qui ne sont pas d'origine ne sont pas couverts par cette garantie. Conservez toujours votre reçu, car sans celui-ci vous ne pourrez réclamer aucune sorte de garantie. Les dommages causés par le non respect des instructions de ce manuel rendront la garantie caduque, Nous déclinons toute responsabilité en cas de dommages indirects. Nous déclinons toute responsabilité en cas de dégâts matériels ou de dommages corporels causés par une utilisation inappropriée ou si les instructions de sécurité n'ont pas été convenablement observées. Si les accessoires sont endommagés, cela ne signifie pas que toute la machine sera remplacée gratuitement. Dans de tels cas, veuillez contacter notre assistance. Des pièces brisées en verre ou en plastique sont toujours sujettes à des frais. Les défauts des consommables ou des pièces susceptibles de s'user, ainsi que le nettoyage, l'entretien ou la réparation desdites pièces ne sont pas couverts par la garantie et doivent donc être payés.

RECYCLAGE POUR LA PROTECTION DE L'ENVIRONNEMENT



Recyclage – Directive européenne 2012/19/EU

Ce symbole indique que le produit ne doit pas être jeté avec les ordures ménagères. Afin d'éviter toute nuisance possible pour l'environnement et la santé humaine causée par les déchets non contrôlés, recyclez ce produit de manière responsable afin de contribuer à la réutilisation des ressources matérielles. Pour retourner votre appareil usagé, utilisez les systèmes de collecte et de retour ou contactez le distributeur auprès duquel le produit a été acheté. Il pourra reprendre ce produit pour qu'il soit recyclé d'une manière respectueuse de l'environnement.

Emerio Deutschland GmbH (no service address)
Höffer Weg 14
51519 Odenthal
Germany

Service à la clientèle:

T: +49 (0) 3222 1097 600

E: info.de@emerio.eu

VIKTIGA SÄKERHETSINSTRUKTIONER

När elektriska utrustningar används ska alltid följande säkerhetsåtgärder följas:

Läs igenom alla instruktioner.

1. Denna apparat får användas av barn från 8 års ålder, personer med nedsatt fysisk, sensorisk eller mental förmåga eller personer med brist på erfarenhet och kunskap om de övervakas eller fått instruktioner angående användningen av apparaten på ett säkert sätt och förstår riskerna.
2. Barn får inte leka med apparaten.
3. Rengöring eller underhåll skall inte göras av barn, såvida de inte är äldre än 8 år och under uppsikt.
4. Apparaten och dess sladd bör hållas utom räckhåll för barn under 8 år.
5. Om sladden är skadad måste den bytas ut av tillverkaren, en av tillverkaren godkänd reparatör eller liknande kvalificerad person för att undvika faror.
6. Vid skador till följd av att instruktionerna i denna manual inte följts upphör garantin att gälla omedelbart. Tillverkaren eller importören tar inget ansvar för skador som orsakats av okunskap om innehållet i användarmanualen, oaktsam användning eller annan användning än vad som instruktionerna i denna manual anger.
7. Denna produkt kan endast användas enligt informationen som anges på typskylten.
8. Denna produkt är endast avsedd för inomhusbruk! Den är inte lämplig för utomhusbruk.
9. Skydda produkten från att utsättas för ovanligt mycket smuts eller fuktighet.
10. All annan användning av produkten än vad som beskrivs ovan kan orsaka kortslutning, brand eller andra skador.

Det är inte tillåtet att modifiera denna produkt på något sätt och kåpan får inte öppnas, i annat fall så kommer produkten inte att uppfylla villkoren för dess skyddsklass.

11. Kontakten får aldrig anslutas eller dras ur med våta händer.
12. Dra aldrig i nätsladden för att dra ur kontakten ur vägguttaget. Dra alltid i själva kontakten.
13. Vid installation eller rengöring se till att nätsladden inte kläms eller skadas.
14. Koppla alltid ur apparaten från nätet och låt den svalna till rumstemperatur: innan apparaten stoppas undan; innan rengöring eller underhåll; efter användning; om du inte kommer att använda den under en längre tid.
15. Rengör själva produkten med en lätt fuktad trasa.
16. Byt aldrig själv en skadad nätsladd. Vid sådana tillfällen eller vid tekniskt fel kontakta en auktoriserad elektriker eller servicecenter för undersökning, reparation eller justering eftersom det krävs specialverktyg.
17. Se till att nätsladden aldrig kommer i kontakt med delar som genererar stark hetta.
18. Om du misstänker att det inte längre är möjligt att använda produkten säkert, se till att produkten kopplas ur och inte längre används. Säker användning av produkten är inte längre möjlig om: produkten eller nätsladden är skadad på något sätt; produkten inte längre fungerar; efter en längre förvaring vid ogynnsamma förhållanden; efter svåra skador vid transport.
19. Sänk aldrig ned kontakten eller apparaten i vatten eller annan vätska.
20. Placera aldrig fritösen direkt i hörn eller under lättantändligt material såsom gardiner, skåp etc.
21. Flytta inte apparaten när fett är flytande/hett.
22. Maskinen bör inte användas tillsammans med en extern tidsbrytare eller ett separat system med fjärrkontroll.
23. Den här apparaten är inte utformad för kommersiell användning.

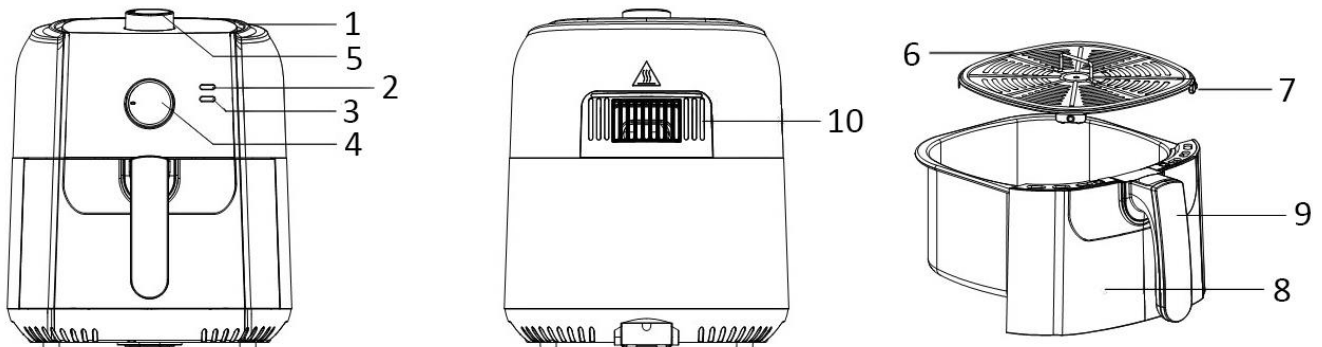
24. VARNING!!



Vänligen vidrör inte ytterhöljet då apparaten används. Det kan hända att temperaturen är hög på tillgängliga ytor när apparaten körs.

25. När det gäller instruktionerna för att rengöra ytorna som kommer i kontakt med mat eller olja, se stycket "RENGÖRING OCH UNDERHÅLL" i handboken.
26. Varm luft strömmar ut ur luftventilen på baksidan av apparaten. Var noga med att hålla ett tillräckligt avstånd till material, t.ex. glas, som är känsligt för värme.
27. Om du använder produkter med teflonyta, se till att inga fåglar är i samma rum och att rummet kan stängas igen helt och är väl ventilerat.

BESKRIVNING AV DELAR



1. Luftintag
2. Temperurlampa
3. Spänningslampa
4. Timervred
5. Knapp för temperaturkontroll
6. Stekgaller
7. Silikonhölje
8. Korg
9. Korghandtag
10. Luftutsläpp

FÖRE ANVÄNDNING

Läs först igenom alla instruktioner före användning och spara bruksanvisningen för framtida bruk. Anslut endast apparaten till ett jordat eluttag. Ta bort allt förpackningsmaterial före första användning. Rengör korgen och stekgallret (Se "RENGÖRING OCH UNDERHÅLL"). Torka av apparatens in- och utsida med en mjuk trasa. Se till att de elektriska delarna alltid är torra. **Denna apparat värmer upp maten från alla håll och de flesta ingredienserna behöver ingen olja.**

OBS! Använd alltid stekgallret med silikonhöljet stängt. Det hjälper till att stabilisera stekgallret i korgen under tillagning.

ANVÄNDNING

1. Placera apparaten på en torr, stabil och värmebeständig yta.
2. Eftersom apparaten blir het vid användning, säkerställ att den inte står för nära några andra föremål.
3. Dra ut korgen ur apparaten via korghandtaget. Placera stekgallret i korgen.
4. Placera ingredienserna i korgen (överskrid inte MAX-nivån som indikeras inuti korgen). Skjut in korgen i apparaten. Se till att de är monterade korrekt och ordentligt stängda, annars kommer inte apparaten att fungera. Varning! Rör inte korgen under eller kort tid efter användning eftersom den blir mycket varm. Håll endast korgen via handtaget.
5. Koppla elsladden till lämpligt uttag.
6. Ställ knappen för temperaturkontroll på önskad temperatur, som passar för det du tillagar. Kontrollera temperaturen i tabellen.
7. Vrid timervredet till lämplig friteringstid och apparaten slås på.
8. Spänningslampan lyser när apparaten är påslagen. Temperurlampan tänds och släcks under den varma luftfriteringen. Detta indikerar att värmeelementet slås på och av för att bibehålla inställd temperatur.
9. När tillagningen är klar ringer timer-klockan. Du kan också stänga av apparaten manuellt genom att vrida timer-vredet till "0".
10. Dra ut korgen från apparaten via korghandtaget. Kontrollera om ingredienserna är redo. Om de inte är klara, skjut bara tillbaka korgen i apparaten och ställ in timern på ett par extra minuter.
11. Obs! Korgen och ingredienserna är heta efter tillagning. Ånga kan tränga ut från korgen beroende på vilken typ av ingredienser som används i apparaten.

- Töm korgen, för över maten till en skål eller på en tallrik. För att ta ut stora eller ömtåliga ingredienser, lyft ut dem ur korgen med två tänger.
För att ta bort ingredienser (t.ex. biff, kyckling, kött, ingredienser med överflödiga olja som samlas upp i korgens botten), använd tångerna för att plocka upp en ingrediens i taget.
För att ta bort ingredienser (t.ex. chips, grönsaker eller ingredienser utan överflödiga olja), dra ut korgen och håll ut ingredienserna i en skål/tallrik.
- När tillagningen är klar är apparaten omedelbart redo för en ny omgång ingredienser om så önskas.

TILLAGNINGSTIPS

- Optimal mängd för krispiga pommes frites är 750 gram.
- Lägg till 2 minuters tillagningstid om apparaten är kall. Förvärm apparaten utan ingredienser i korgen. Vrid timervredet till mer än 2 minuter och vänta tills temperaturlampan slocknat. Fyll sedan korgen med ingredienserna och vrid timervredet till önskad tid.
- Skaka om eller vänd på mindre ingredienser efter halva tiden för att fritera maten jämnt. Dra ut korgen ur apparaten via handtaget och skaka om korgen. Skjut sedan tillbaka korgen i apparaten.
- Du kan också använda fritösen för att värma upp ingredienser.
- Ingredienser med brödsulor blir krispigare om de sprejas med lite vegetabilisk olja.
- Placera en bakplåt eller ugnform (efter att stekgallret tagits bort) i apparaten om du vill baka en kaka, paj eller andra ömtåliga ingredienser.

VARNING:

- Sänk inte ner kåpan i vatten och skölj den inte under kranen.
- Undvik att vätska kommer in i apparaten, för att förebygga elektriska stötar eller kortslutning.
- Se till att alla ingredienser ligger i korgen för att undvika kontakt med uppvärmningselementen.
- Täck inte över luftintaget och luftutsläppet när apparaten är igång. Lämna ett fritt utrymme på minst 10 cm runt och ovanför apparaten.
- Om korgen fylls med olja kan det resultera i brand!
- Vidrör inte insidan på apparaten när den är i drift.
- Var försiktig med den heta ångan och luften när du tar ut korgen ur apparaten.
- Under användning släpps het ånga ut genom luftutsläppet. Håll händer och ansikte på säkert avstånd från ångan och luftutsläppet.
- Stäng omedelbart av apparaten och dra ut strömkabeln ur eluttaget om mörk rök tränger ut från apparaten. Detta beror på att maten har friterats för länge eller att apparaten gått sönder.
- Före hantering eller rengöring av apparaten, låt den svalna i ungefär 30 minuter.

TILLAGNINGSTABELL

Denna tabell visar produktkvantiteterna och nödvändig temperatur och friteringstider. Om instruktionerna på produktförpackningen avviker från värdena som visas i denna tabell ska instruktionerna på förpackningen följas.

RENGÖRING OCH UNDERHÅLL

| Typ | Min.-Max. mängd livsmedel | Tid (minuter) | Temperatur (°C) | Vända | Ytterligare information |
|----------------|---------------------------|---------------|-----------------|-------|-------------------------|
| Pommes frites | 600-1000 | 18-25 | 200 | Vända | |
| revben | 350-450 | 15-20 | 180 | Vända | |
| Räkor | 150-250 | 15-20 | 160 | Vända | |
| Kaka | 550-650 8-10 koppar | 20-30 | 160 | Vända | |
| Kycklingklubba | 700-900 10-13 st | 20-25 | 180 | Vända | Tillsätt ½ sked olja |
| Biffstek | 450 3-5 st | 15-25 | 160 | Vända | Tillsätt ½ sked olja |
| Fisk | 200-300 | 15-20 | 180 | Vända | |

1. Rengör hela insidan och utsidan av apparaten regelbundet.
2. Rengör utsidan och insidan av apparaten med en fuktig trasa och torka med en mjuk, ren trasa.
3. Använd aldrig frätande rengöringsmedel och inte svampar som river.
4. Dra ut korgen för att apparaten ska svalna snabbare. Rengör korgen och stekgallret i varmt vatten med diskmedel och en mjuk svamp. Låt torka väl före användning.
5. Rengör värmeelementet inuti höljet (syns efter att korgen dragits ut) med en rengöringsborste för att ta bort eventuella matrester.

Obs! Korgen och stekgallret kan köras i diskmaskin.

FELSÖKNING

| Problem | Möjlig orsak | Lösning |
|---|--|---|
| Apparaten fungerar inte. | Apparaten är inte inkopplad. | Sätt i kontakten i ett jordat uttag. |
| | Du har inte ställt in timern. | Vrid timer-vredet till lämplig tid och sätt på apparaten. |
| Ingredienserna är inte tillräckligt tillagade. | Det är för stor mängd mat i korgen. | Lägg mindre mängd mat i korgen. Mindre mängder tillagas jämnare. |
| | Temperaturen är för låg. | Vrid temperaturvredet till lämplig temperatur. |
| Ingredienserna tillagas ojämnt. | Olika typer av mat kan behöva skakas om efter halva tiden. | Skaka om maten efter halva tiden. |
| Korgen kan inte skjutas in ordentligt i apparaten. | För mycket mat i korgen. | Lägg mindre mängd mat i korgen. |
| Det kommer ut vit rök ur apparaten. | Du tillagar feta ingredienser. | Vid tillagning av feta ingredienser kommer olja att läcka ut i korgen. Oljan alstrar vit rök och korgen kan värmas upp. Detta påverkar inte tillagningsresultatet och skadar inte heller apparaten. |
| | Korgen innehåller fortfarande fettrester från tidigare användning. | Rengör korgen ordentligt efter varje användning. |

TEKNISKA DATA

Driftspänning: 220-240V ~ 50-60Hz

Strömförbrukning: 1400W

GARANTI OCH KUNDTJÄNST

Innan leverans genomgår våra apparater en sträng kvalitetskontroll. Om det trots detta skulle uppstå någon skada på produktionen eller vid transporten, ber vi dig att ta med apparaten tillbaka till inköpsstället. Förutom de i lag fastställda garantianspråken har köparen möjlighet att göra gällande följande anspråk på garanti:

För den köpta apparaten ges 2 års garanti, med början på inköpsdagen.

Brister som uppstår genom felaktig hantering av apparaten och fel som uppstår genom ingrepp och reparationer av tredje man eller montering av främmande delar, omfattas ej av vår garanti. Behåll alltid ditt kvitto då det är din garanti vid eventuell reklamation. Skador som uppstår p.g.a. att instruktionsmanualen inte följs ogiltigförklarar garantin och om detta leder till påföljande skador så kan inte vi hållas ansvariga. Vi kan inte hållas ansvariga för materiella skador eller personskador som orsakas av felaktig användning eller om inte säkerhetsföreskrifterna följs. Skador på tillbehören innebär inte per automatik ersättning av hela apparaten. I sådana fall ska du kontakta vår kundservice. Trasigt glas och trasiga plastdelar innebär alltid en kostnad.

Defekter på förbrukningsartiklar eller slidadelar och även skador orsakade av rengöring, underhåll eller byte av tidigare nämnda delar täcks inte av garantin och ska således betalas av ägaren.

MILJÖVÄNLIG KASSERING



Återvinning – EU-direktiv 2012/19/EU

Denna markering indikerar att produkten inte får kastas tillsammans med övrigt hushållsavfall. För att förhindra eventuell skada på miljön eller människors hälsa på grund av okontrollerad avfallshantering, återvinns de på ett ansvarsfullt sätt som främjar en hållbar återanvändning av materiella resurser. För att återlämna den använda enheten, använd retur- och insamlingsystem eller kontakta återförsäljaren där produkten var köpt. De kan ta denna produkt för miljösäker återvinning.

Emerio Deutschland GmbH (no service address)

Höffer Weg 14

51519 Odenthal

Germany

Kundservice:

T: +49 (0) 3222 1097 600

E: info.de@emerio.eu

BELANGRIJKE VEILIGHEIDSINSTRUCTIES

Wanneer elektrische toestellen gebruikt worden moeten de fundamentele voorzorgsmaatregelen in acht genomen worden:

Lees alle instructies.

1. Dit toestel mag gebruikt worden door kinderen vanaf de leeftijd van 8 jaar en door personen met verminderde fysieke, zintuiglijke of mentale capaciteiten of met gebrek aan ervaring of kennis, indien zij onder het toezicht staan of gebruiksinstructies voor het veilig gebruik van dit toestel gekregen hebben en de mogelijke gevaren begrijpen.
2. Kinderen mogen niet met dit toestel spelen.
3. Reiniging en onderhoud mogen niet door kinderen worden uitgevoerd, tenzij ze minstens 8 jaar oud zijn en onder toezicht staan.
4. Houd het apparaat en snoer buiten bereik van kinderen jonger dan 8 jaar.
5. Als het stroomsnoer beschadigd is, dan moet het vervangen worden door de fabrikant, diens dealer of een gekwalificeerde technicus om risico's te voorkomen.
6. In geval van schade, veroorzaakt door het niet naleven van deze gebruikshandleiding, vervalt de garantie onmiddellijk. De fabrikant/importeur aanvaardt geen enkele aansprakelijkheid voor schade veroorzaakt door het niet naleven van de gebruikshandleiding, een onachtzaam gebruik of een gebruik niet conform de voorschriften van deze handleiding.
7. Dit product mag alleen gebruikt worden overeenkomstig de informatie die op het desbetreffende label geprint is.
8. Dit product is uitsluitend bestemd voor gebruik binnenshuis! Gebruik dit product nooit buitenshuis.

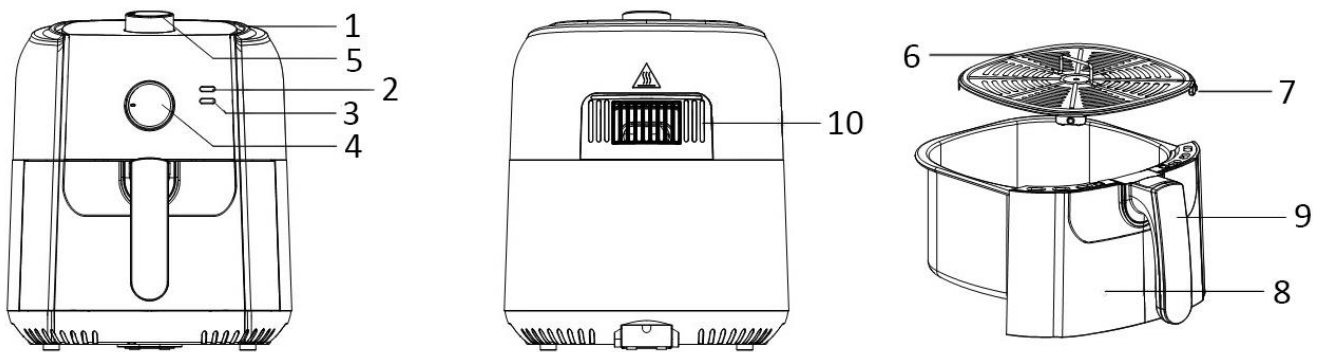
9. Stel het product nooit bloot aan teveel vuil en vocht.
10. Andere bedrijfswijzen, behalve de hierboven beschreven, zullen gevaren veroorzaken zoals kortsluitingen, brand of dergelijke. Dit product mag in geen geval veranderd worden en de behuizing mag niet geopend worden, omdat het product in dat geval niet langer aan de veiligheids categorie beantwoordt.
11. De stekker nooit met natte handen insteken of uittrekken.
12. Trek nooit aan de elektrische kabel. Trek altijd aan de stekker zelf.
13. Verzeker tijdens installatie-/reinigingswerken dat de elektrische kabel niet geklemd of beschadigd wordt.
14. Ontkoppel het toestel altijd van de hoofdleiding en laat het product tot op kamertemperatuur afkoelen: voordat het toestel opgeborgen wordt; vóór reinigings - of onderhoudswerken; na gebruik; wanneer het product langere tijd niet gebruikt wordt.
15. Reinig het product zelf met een lichtjes bevochtigde doek.
16. Vervang nooit zelf een beschadigde elektrische kabel. Neem in dat geval, of in geval van een slechte werking, contact op met een gemachtigde elektrische vakman/servicecenter om het product te laten onderzoeken, repareren of in te stellen, aangezien hiervoor speciale werktuigen nodig zijn.
17. Verzeker dat de elektrische kabel niet in contact komt met delen die een te hoge hitte afgeven.
18. Wanneer u denkt dat het product niet langer zonder gevaar gebruikt kan worden, verzeker dan dat het product uitgeschakeld en niet langer gebruikt wordt. Het veilige bedrijf is niet langer mogelijk wanneer: het product of de elektrische kabel beschadigd is; het product niet langer werkt; na een lange opslagperiode onder ongunstige omstandigheden; na zware schade door transport.

19. Dompel de stekker of het toestel nooit in water of andere vloeistoffen.
20. Plaats het apparaat nooit direct in hoeken of onder brandbare materialen zoals gordijnen, kasten, enz.
21. Laat het apparaat tijdens het gebruik nooit onbeheerd achter.
22. Het apparaat dient niet bediend te worden door middel van een externe tijdschakelaar of door middel van een apart systeem met afstandsbediening.
23. Dit apparaat is niet ontworpen voor commercieel gebruik.
24. WAARSCHUWING!!



Raak het oppervlak a.u.b. niet aan tijdens gebruik. De temperatuur van toegankelijke oppervlakken kan erg hoog worden wanneer het apparaat aan staat.

25. Met betrekking tot de instructies voor het reinigen van de oppervlakken die in contact komen met voedsel of olie, verwijzen wij u naar de paragraaf " REINIGEN EN ONDERHOUD " van de handleiding.
26. Hete lucht komt uit de ventilatie opening aan de achterkant van het apparaat. Zorg voor voldoende ruimte tot materialen die gevoelig zijn voor warmte, zoals glas.
27. Als u producten met een antiaanbaklaag gebruikt, dient u ervoor te zorgen dat zich geen vogels in dezelfde ruimte bevinden en dat de ruimte compleet kan worden gesloten en goed geventileerd wordt.

ONTWERP

1. Luchtinlaat
2. Opwarmlampje
3. Aan/uit-lampje
4. Timerknop
5. Temperatuurregelaar
6. Bakrooster
7. Silicone klemmen
8. Mand
9. Handgreep van mand
10. Luchtuitlaat

VOOR GEBRUIK

Lees eerst alle instructies voor gebruik en bewaar de handleiding voor toekomstige raadpleging. Steek de stekker alleen in een geaard stopcontact. Voor het eerste gebruik dient u de verpakkingsmaterialen te verwijderen. Reinig de mand en het bakrooster. (Zie "REINIGEN EN ONDERHOUD") Veeg de binnen- en buitenkant van het apparaat schoon met een zachte doek. Zorg dat de elektrische onderdelen droog blijven.

Dit apparaat verhit voedsel rondom en de meeste ingrediënten hebben geen olie nodig.

OPMERKING: Gebruik het bakrooster altijd met de silicone klemmen bevestigd. Dit zorgt voor een stabiele positie van het bakrooster in de mand tijdens het bakproces.

GEBRUIK

1. Plaats het apparaat op een droog, stabiel en hittebestendig oppervlak.
2. Omdat het apparaat heet wordt tijdens het gebruik, dient u ervoor te zorgen dat het niet te dicht bij andere objecten staat.
3. Trek de mand uit het apparaat met behulp van de handgreep. Plaats het bakrooster in de mand.
4. Doe de ingrediënten in de mand. (Overschrijd het MAX niveau zoals aangegeven in de mand niet.) Schuif de mand in het apparaat. Zorg dat de mand juist wordt aangebracht en het apparaat volledig dicht is. Het apparaat zal anders niet starten. Opgelet: Raak de mand tijdens en kort na gebruik niet aan, ze wordt zeer warm. Houd de pan alleen bij de handgreep vast.
5. Steek de stekker in een geschikt stopcontact.
6. Stel de temperatuurregelknop in op de temperatuur, die u nodig heeft voor het bereiden van het voedsel. Kijk hiervoor in de temperatuurtabel.
7. Draai de Timerknop om de gepaste frituurtijd te kiezen en het apparaat wordt ingeschakeld.

8. Het Aan/uit lampje brandt wanneer het apparaat is ingeschakeld. Het verwarmingslampje wordt tijdens het frituren afwisselend in- en uitgeschakeld. Dit geeft aan dat het verwarmingselement in- en uitschakelt om de juiste temperatuur te behouden.
9. Wanneer het verwarmen klaar is, zal de bel van de timer afgaan. U kunt het apparaat ook handmatig uitzetten door de timer naar "0" te draaien.
10. Trek de mand uit het apparaat met behulp van de handgreep. Controleer of de levensmiddelen gaar zijn. Als de levensmiddelen nog niet gaar zijn, schuif de mand opnieuw in het apparaat en stel de timer nog enkele minuten in.
11. Opmerking: De mand en de ingrediënten zijn heet na het bakproces. Afhankelijk van het soort levensmiddel dat in het apparaat wordt bereid, kan er stoom uit de mand komen.
12. Maak het mandje leeg en doe de levensmiddelen in een kom of op een bord. Om grotere of breekbare ingrediënten te verwijderen, haalt u de ingrediënten uit het mandje met behulp van een tang.
Om ingrediënten, zoals rundvlees, kip, vlees en andere ingrediënten die olie bevatten, waarvan de overtollige olie in de bodem van de mand wordt opgevangen, uit te halen, gebruik een tang om de ingrediënten één voor één te verwijderen.
Om ingrediënten, zoals friet, groente en ingrediënten zonder overtollige olie, uit te halen, trek de mand uit en breng de ingrediënten over naar een schaal.
13. Als de bereidingstijd voorbij is, is het apparaat meteen gereed voor het bereiden van een volgende portie als dit nodig is.

FRITUURTIPS

1. De ideale hoeveelheid voor knapperige friet is 750 gram.
2. Voeg 2 minuten aan de bereidingstijd toe wanneer het apparaat koud is. Verwarm het apparaat voor zonder aanwezige ingrediënten. Draai de Timerknop over 2 minuten en wacht totdat het verwarmingslampje dooft. Vul het mandje vervolgens met ingrediënten en draai de Timerknop naar de gewenste tijd.
3. Schud of draai kleinere ingrediënten aan de helft van de frituurtijd om. Het voedsel wordt aldus gelijkmatiger gefrituurd. Om de levensmiddelen te schudden, trek de mand via de handgreep uit het apparaat en schud de mand. Schuif de mand vervolgens opnieuw in het apparaat.
4. U kunt de frituurpan ook gebruiken voor het opnieuw verwarmen van ingrediënten.
5. Ingrediënten met een korst of droge broodkrumels worden knapperig wanneer ze met een beetje plantaardige olie worden besproeid.
6. Plaats een bakvorm of een ovenschaal in het apparaat (na het verwijderen van het bakrooster), als u een cake, quiche of ander gevoelig gerecht wilt bakken.

VOORZICHTIG:

1. Dompel het apparaat nooit onder in water en spoel het niet af onder de kraan.
2. Voorkom dat er vloeistof het apparaat binnen kan dringen om elektrische schokken of kortsluiting te voorkomen.
3. Houd alle ingrediënten in het mandje om contact met de verwarmingselementen te voorkomen.
4. Dek de luchtinlaat en -uitlaat niet af als het apparaat in werking is. Laat een vrije ruimte van minstens 10 cm rond en boven het apparaat.
5. Het vullen van de mand met olie kan brandgevaar opleveren!
6. Raak de binnenkant van het apparaat niet aan wanneer in werking.
7. Kijk uit voor de hete lucht en stoom wanneer u het mandje uit het apparaat haalt.
8. Tijdens de bereiding komt er hete stoom uit de luchtuitlaat. Houd uw handen en gezicht op veilige afstand van de stoom en de luchtuitlaat.

9. Schakel het apparaat onmiddellijk uit en haal de stekker uit het stopcontact als donkere rook wordt afgegeven. Dit betekent dat het voedsel te veel is gekookt of het apparaat defect is.
10. Voordat u het apparaat aanpakt of gaat reinigen, dient u het ongeveer 30 minuten af te laten koelen.

BAKTABEL

Deze tabel toont de hoeveelheden van de etenswaren evenals de vereiste temperatuur en tijden. Wanneer de aanwijzingen op de verpakking van het product van de in deze tabel getoonde waarden verschillen, dan moeten de aanwijzingen op de verpakking gevolgd worden.

| Type | Minimum-maximum hoeveelheid van ingrediënten (g) | Tijd (minuten) | Temperatuur (°C) | Omdraaien | Extra informatie |
|---------------|--|----------------|------------------|-----------|-------------------------|
| Friet | 600-900 | 18-25 | 200 | Omdraaien | |
| Ribbetjes | 350-450 | 15-20 | 180 | Omdraaien | |
| Garnalen | 150-250 | 15-20 | 160 | Omdraaien | |
| Cake | 550-650 8-10 kopjes | 20-30 | 160 | Omdraaien | |
| Kippenboutjes | 700-900 10-13 stuks | 20-25 | 180 | Omdraaien | Voeg 1/2 lepel olie toe |
| Biefstuk | 450 3-5 stuks | 15-25 | 160 | Omdraaien | Voeg 1/2 lepel olie toe |
| Vis | 200-300 | 15-20 | 180 | Omdraaien | |

REINIGEN EN ONDERHOUD

1. Reinig het apparaat zowel aan de binnen- als buitenkant grondig.
2. Reinig de binnen- en buitenkant van het apparaat met een vochtige doek en droog deze weer met een schone, zachte doek.
3. Gebruik nooit schurende middelen of sponzen.
4. Verwijder de mand om het apparaat sneller te laten afkoelen. Reinig de mand en het bakrooster met warm water, een beetje afwasmiddel en een zachte spons. Veeg grondig droog voor gebruik.
5. Maak het verwarmingselement binnenin de behuizing schoon (na het uittrekken van de mand) met een schoonmaakborstel om eventuele etensresten te verwijderen.

Opmerking: De mand en het bakrooster zijn vaatwasserbestendig.

PROBLEEM OPLOSSINGEN

| Probleem | Mogelijke oorza(a)k(en) | Oplossing |
|---|---|---|
| Het apparaat werkt niet. | De stekker zit niet in het stopcontact. | Steek de stekker in een geaard stopcontact. |
| | U heeft de timer niet ingesteld. | Draai de knop van de timer naar de gewenste bereidingstijd om het apparaat aan te zetten. |
| De ingrediënten zijn niet volledig gebakken. | De hoeveelheid voedsel in het mandje is te groot. | Doe minder ingrediënten tegelijk in het mandje. Kleinere hoeveelheden bakken gelijkmatiger. |
| | De temperatuur is te laag. | Draai de temperatuurregelknop naar de gewenste temperatuur. |

| | | |
|---|--|--|
| De ingrediënten zijn niet gelijkmatig gebakken. | Bepaalde levensmiddelen moeten aan de helft van de frituurtijd geschud worden. | Schud het voedsel halverwege. |
| Het mandje kan niet goed in de behuizing geschoven worden. | Er zit te veel voedsel in het mandje. | Doe minder voedsel in het mandje. |
| Er komt witte rook uit het apparaat. | U bereidt vette ingrediënten. | Tijdens het bakken van vette levensmiddelen, zal er olie in de mand lekken. De olie produceert witte rook en de mand kan warm worden. Dit heeft geen gevolgen voor het bereidingsresultaat of voor het apparaat. |
| | De mand bevat nog vetresten van het vorig gebruik. | Maak de mand schoon na elk gebruik. |

TECHNISCHE GEGEVENS

Bedrijfsspanning: 220-240V ~ 50-60Hz

Opgenomen vermogen: 1400W

GARANTIE EN KLANTENSERVICE

Vóór de levering worden onze apparaten streng gecontroleerd. Indien het toestel ondanks alle zorg bij de productie of tijdens het transport beschadigd werd, moet u het naar de handelaar terugbrengen. Naast het wettelijke recht op waarborg heeft de klant recht op de volgende garantieclaim:

Wij geven een garantie van 2 jaar op het toestel, te beginnen met de koopdatum. Indien u een defect product heeft, kunt u rechtstreeks terug gaan naar het aankooppunt.

Gebreken die het gevolg zijn van ondeskundig gebruik van het toestel, fouten tijdens ingrepen en reparaties door derden of door de inbouw van vreemde onderdelen, vallen niet onder deze garantie. Bewaar altijd uw aankoopnota, zonder aankoopnota kunt u geen aanspraak maken op enige vorm van garantie. Bij schade veroorzaakt door het niet opvolgen van de gebruiksaanwijzing vervalt het recht op garantie. Voor vervolgschade die hieruit ontstaat kunnen wij niet verantwoordelijk gehouden worden. Voor materiële schade of persoonlijk letsel veroorzaakt door ondeskundig gebruik of het niet opvolgen van de veiligheidsvoorschriften zijn wij niet aansprakelijk. In dergelijke gevallen vervalt iedere aanspraak op garantie. Schade aan accessoires of onderdelen betekend niet dat het gehele apparaat zal worden vervangen. Afgebroken glazen of kunststof onderdelen of accessoires vallen niet onder de garantie en zullen tegen vergoeding vervangen kunnen worden. Defecten aan hulpstukken of aan slijtage onderhevige onderdelen, alsmede reiniging, onderhoud of de vervanging van slijtende delen vallen niet onder de garantie en zullen dus in rekening gebracht worden.

MILIEUVRIENDELIJKE AFVALVERWERKING



Recycling – Europese Richtlijn 2012/19/EU

Deze markering betekent dat dit product niet samen met ander huishoudelijk afval mag worden afgedankt. Om het milieu en de volksgezondheid niet in gevaar te brengen en het hergebruik van grondstoffen te bevorderen, moet dit product op verantwoorde wijze worden afgevoerd.

Lever verbruikte apparatuur a.u.b. in bij de hiervoor bestemde inzamelpunten of bij de winkel waar het product was aangeschaft. Zij zullen dit product accepteren voor milieuvriendelijke afvalverwerking.

Emerio Deutschland GmbH (no service address)
Höffer Weg 14
51519 Odenthal
Germany

Klantendienst:

T: +49 (0) 3222 1097 600

E: info.de@emerio.eu

WAŻNE INFORMACJE DOT. BEZPIECZEŃSTWA

Podczas używania urządzenia elektrycznego, powinno się postępować zgodnie z podstawowymi środkami bezpieczeństwa:

Czytaj wszystkie instrukcje.

1. To urządzenie może być obsługiwane przez dzieci w wieku 8 lat i starsze, osoby z pewnym upośledzeniem fizycznym, czuciowym lub umysłowym, a także osoby niemające doświadczenia, jeśli udzielono im instrukcji w zakresie bezpiecznego używania urządzenia, obsługa urządzenia odbywa się pod nadzorem i osoby te znają zagrożenia z tym związane.
2. Urządzenie nie służy do zabawy przez dzieci.
3. Dzieci mogą wykonywać czynności związane z czyszczeniem i konserwacją tylko pod warunkiem ukończenia 8 lat i tylko pod nadzorem osoby dorosłej.
4. Urządzenie i jego przewód zasilania powinny być przechowywane w z dala od dzieci w wieku poniżej 8 lat.
5. Jeżeli przewód zasilający jest uszkodzony, musi być wymieniony przed producenta lub autoryzowany serwis lub wykwalifikowaną osobę celem uniknięcia niebezpieczeństwa.
6. W przypadku uszkodzenia spowodowanego nieprzestrzeganiem instrukcji obsługi, gwarancja wygasa ze skutkiem natychmiastowym. Producent/importer nie przyjmuje odpowiedzialności za szkody spowodowane w wyniku nieprzestrzegania instrukcji obsługi, nieostrożności podczas używania lub użytkowania niezgodnego z niniejszą instrukcją.
7. Produkt ten może być używany tylko zgodnie z informacjami podanymi na tabliczce znamionowej.

8. Ten produkt przeznaczony jest wyłącznie do użytku domowego! Nie jest przeznaczony do używania na otwartej przestrzeni.
9. Nie narażaj produktu na nadmierne zanieczyszczenie i wilgoć.
10. Inny, niż opisany tutaj, sposób użytkowania produktu może prowadzić do niebezpieczeństwa, takiego jak spięcie, pożar lub inne. Nie jest dozwolone jakiegokolwiek modyfikowanie tego produktu, a obudowa nie może być otwierana; w przeciwnym razie produkt nie będzie spełniał odpowiedniej klasy bezpieczeństwa.
11. Nigdy nie podłączaj lub odłączaj produktu mokrymi rękami.
12. Nigdy nie odłączaj wtyczki ciągnąc za przewód zasilający. Odłączaj trzymając zawsze za wtyczkę.
13. Podczas instalacji/czyszczenia upewnij się, że przewód elektryczny nie jest ściśnięty lub uszkodzony.
14. Zawsze odłączaj urządzenie od zasilania i umożliwiaj urządzeniu ostygnięcie: przed schowaniem go; przed czyszczeniem lub serwisowaniem; po użyciu; jeżeli nie zamierzasz go używać przez dłuższy okres czasu.
15. Czyść produkt lekko nawilżoną ścierką.
16. Nigdy nie wymieniaj uszkodzonego przewodu elektrycznego samodzielnie. W przypadku uszkodzenia lub wadliwego działania skontaktuj się z autoryzowanym punktem obsługi celem sprawdzenia, naprawy lub regulacji, do których wymagane są specjalne narzędzia.
17. Upewnij się, że przewód zasilający nie ma styczności z żadnymi elementami generującymi nadmierne ciepło.
18. Jeżeli nie możesz zapewnić bezpiecznego działania produktu, upewnij się, że jest on odłączony i nie używany ponownie. Bezpieczne użytkowanie tego urządzenia nie jest możliwe, gdy: produkt lub przewód zasilający są uszkodzone w jakikolwiek sposób; produkt nie działa; po

dłuższym przechowywaniu w niesprzyjających warunkach; po ciężkim uszkodzeniu podczas transportu.

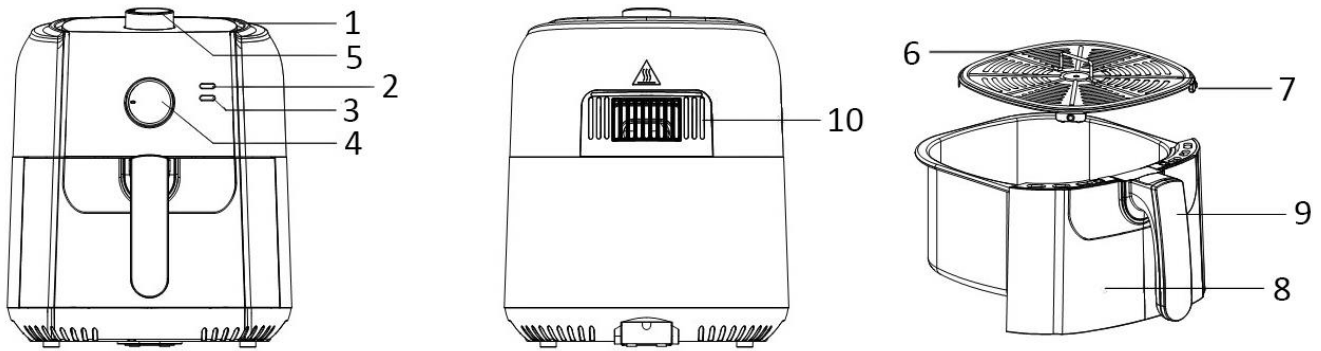
19. Nigdy nie zanurzaj urządzenia lub przewodu w wodzie lub innych cieczach.
20. Urządzenia nie należy nigdy stawiać w kątach oraz bezpośrednio pod materiałami łatwopalnymi takimi jak zasłony, firanki, szafki kuchenne itp.
21. Podczas używania nigdy nie zostawiaj urządzenia bez opieki.
22. Urządzenie nie powinno być sterowane za pomocą zewnętrznych wyłączników czasowych lub innych systemów zdalnie sterowanych.
23. Urządzenie nie jest zaprojektowane do użytku komercyjnego.
24. **OSTRZEŻENIE!!**



Nie dotykać powierzchni podczas użytkowania. W czasie pracy urządzenia temperatura dostępnych powierzchni może być wysoka.

25. Aby uzyskać informacje dotyczące czyszczenia powierzchni, które mają kontakt z jedzeniem lub olejem, zobacz paragraf "CZYSZCZENIE I KONSERWACJA" znajdujący się w niniejszej instrukcji.
26. Przez otwór wentylacyjny z tyłu urządzenia wydostaje się gorące powietrze. Należy koniecznie zapewnić wystarczającą odległość od materiałów wrażliwych na gorąco, takich jak np. szkło.
27. W przypadku używania produktów z powierzchniami nieprzywierającymi, należy dopilnować, aby w tym samym pomieszczeniu nie było ptaków, aby pomieszczenie można było całkowicie zamknąć i aby miało ono zapewnioną dobrą wentylację.

OPIS CZĘŚCI



1. Wlot powietrza
2. Kontrolka grzania
3. Kontrolka zasilania
4. Pokrętko minutnika
5. Pokrętko nastawiania temperatury
6. Ruszt do smażenia
7. Silikonowa osłona
8. Kosz
9. Uchwyt kosza
10. Wylot powietrza

PRZED UŻYCIEM

Przed użyciem prosimy najpierw przeczytać całą instrukcję. Instrukcję należy zachować na przyszłość. Urządzenie należy podłączać tylko do kontaktu z uziemieniem. Przed pierwszym użyciem należy usunąć wszystkie materiały opakowaniowe. Wyczyścić kosz i ruszt do smażenia. (patrz „CZYSZCZENIE I KONSERWACJA”). Wytrzeć urządzenie od środka i od zewnątrz miękką szmatką. Upewnić się, że podzespoły elektryczne pozostają suche. **To urządzenie podgrzewa produkty spożywcze. Większość składników nie wymaga dodawania oleju.**

UWAGA: Rusztu do smażenia należy zawsze używać z zamkniętymi silikonowymi osłonami. Elementy te pomagają ustabilizować ruszt do smażenia w koszu w czasie pieczenia.

UŻYTKOWANIE

1. Urządzenie ustawić na suchej i stabilnej powierzchni odpornej na wysokie temperatury.
2. Ponieważ w czasie użytkowania urządzenie nagrzewa się i jest gorące, należy dopilnować, aby nie znajdowało się zbyt blisko innych przedmiotów.
3. Wysunąć z urządzenia kosz – w tym celu pociągnąć za uchwyt kosza. Włożyć ruszt do smażenia do kosza.
4. Włożyć składniki do kosza. (Nie przekraczać poziomu MAX zaznaczonego w koszu.) Wsunąć kosz do urządzenia. Upewnić się, że są one prawidłowo włożone i całkowicie zamknięte. Inaczej urządzenie nie włączy się. Uwaga: W czasie użytkowania oraz przez krótki czas po użyciu kosza nie wolno dotykać – kosz nagrzewa się i jest bardzo gorący. Kosz należy trzymać wyłącznie za uchwyt.
5. Podłączyć wtyczkę do odpowiedniego kontaktu.
6. Ustawić pokrętko sterowania temperaturą na żądane ustawienie temperatury i przekręcić pokrętko temperatury w żądane położenie. Sprawdzić tabelę temperatury.
7. Przekręcić pokrętko minutnika, aby wybrać odpowiedni czas smażenia. Urządzenie włączy się.

8. Gdy urządzenie włączy się, zapali się kontrolka zasilania. W czasie procesu smażenia w powietrzu kontrolka grzania będzie się włączać i wyłączać. Oznacza to, że element grzewczy włącza się i wyłącza, aby utrzymać nastawioną temperaturę.
9. Po zakończeniu pieczenia, rozlegnie się dzwonek. Urządzenie można też wyłączyć ręcznie – wystarczy przekręcić pokrętkę w pozycję „0”.
10. Wysunąć z urządzenia kosz – w tym celu pociągnąć za uchwyt kosza. Sprawdzić, czy składniki są gotowe. Jeśli nie, po prostu wsunąć kosz z powrotem do urządzenia i nastawić minutnik na kilka minut dłużej.
11. Uwaga: Kosz i składniki są po smażeniu gorące. W zależności od rodzaju składników w urządzeniu, z kosza może buchać para.
12. Opróżnić kosz, przełożyć produkty spożywcze na talerz lub półmisek. Aby wyjąć duże i delikatne składniki, należy je podnieść z kosza szczypcami.
Aby wyjąć składniki (np. wołowinę, kurczaka, mięso oraz dowolne składniki zawierające olej lub w których nadmiar oleju ze składników zbiera się na dnie kosza), należy użyć szczypiec i wyjmować składniki po jednym.
Aby wyjąć składniki (np. frytki, warzywa lub składniki, w których nie ma nadmiaru oleju), należy wysunąć kosz i przesypać składniki do naczynia.
13. Po zakończeniu smażenia, urządzenie jest natychmiast gotowe do smażenia kolejnej partii składników (w razie potrzeby).

WSKAZÓWKI DOTYCZĄCE SMAŻENIA

1. Optymalna ilość frytek wynosi 750 gramów.
2. Jeśli urządzenie jest zimne, należy dodać do nastawianego czasu 2 minuty na nagrzanie się. Urządzenie należy nagrzewać bez składników w środku. Pokrętkę minutnika należy przekręcić na ponad 2 minuty i odczekać, aż kontrolka grzania wyłączy się. Następnie napełnić kosz składnikami i przekręcić pokrętkę na żądany czas.
3. Mniejsze składniki należy w połowie czasu potrząsnąć lub obrócić. Dzięki temu produkty będą równomiernie przysmażone. Należy więc wysunąć kosz z urządzenia za uchwyt i potrząsnąć nim. Następnie z powrotem wsunąć kosz do urządzenia.
4. Frytownicy można też użyć do podgrzewania składników.
5. Składniki ze skórką z posypką z kruchego ciasta będą bardziej chrupiące, jeśli posmaruje się je olejem roślinnym.
6. Jeśli w urządzeniu ma być pieczone ciasto lub quiche lub inne delikatne składniki, należy włożyć je w formie do pieczenia lub w naczyniu żaroodpornym (po wcześniejszym wyjęciu rusztu do smażenia).

OSTROŻNIE:

1. Obudowy nie należy zanurzać w wodzie ani wkładać pod bieżącą wodę.
2. Należy unikać dostawania się do urządzenia płynów, ponieważ grozi to zwarcie i porażeniem prądem.
3. Wszystkie składniki muszą znajdować się w koszu, aby nie było niebezpieczeństwa, że dotkną elementu grzewczego.
4. Gdy urządzenie pracuje, nie należy zasłaniać otworów wlotu i wylotu powietrza. Nad górną powierzchnią urządzenia należy zostawić co najmniej 10 cm wolnej przestrzeni.
5. Napełnienie kosza olejem grozi pożarem!
6. W czasie pracy urządzenia nie należy dotykać wewnętrznych części urządzenia.
7. Podczas wyjmowania kosza z urządzenia należy uważać na gorącą parę i gorące powietrze.
8. W czasie pracy przez wylot powietrza bucha gorąca para. Ręce i twarz należy trzymać w bezpiecznej odległości od wylotu pary i gorącego powietrza.

9. W przypadku pojawienia się czarnego dymu, urządzenie należy natychmiast wyłączyć i odłączyć od zasilania ponieważ oznacza to, że albo produkty przypalają się, albo urządzenie jest niesprawne.
10. Przed czyszczeniem urządzenia należy pozwolić, aby ostygło ono przez 30 minut.

TABELA SMAŻENIA

W poniższej tabeli zebrano ilości produktów i potrzebne temperatury i czasy smażenia. Jeśli w instrukcji na opakowaniu produktu podane są inne czasy i wartości, należy wówczas postępować zgodnie z instrukcjami na opakowaniu.

| Typ | Minimalna-maksymalna ilość produktów spożywczych (g) | Czas (w minutach) | Temperatura (°C) | Odwracanie na drugą stronę | Dodatkowe informacje |
|---------------|--|-------------------|------------------|----------------------------|---------------------------|
| Frytki | 600-900 | 18-25 | 200 | Odwracanie na drugą stronę | |
| Żeberka | 350-450 | 15-20 | 180 | Odwracanie na drugą stronę | |
| Krewetki | 150-250 | 15-20 | 160 | Odwracanie na drugą stronę | |
| Ciasto | 550-650 8-10 filiżanek | 20-30 | 160 | Odwracanie na drugą stronę | |
| Udko kurczaka | 700-900 10-13 szt. | 20-25 | 180 | Odwracanie na drugą stronę | Dodawanie 1/2 łyżki oleju |
| Befszyk | 450 3-5 szt. | 15-25 | 160 | Odwracanie na drugą stronę | Dodawanie 1/2 łyżki oleju |
| Ryba | 200-300 | 15-20 | 180 | Odwracanie na drugą stronę | |

CZYSZCZENIE I KONSERWACJA

1. Urządzenie należy regularnie czyścić od środka i z zewnątrz.
2. Urządzenie należy czyścić od zewnątrz i od środka wilgotną ściereczką. Polerować suchą ściereczką.
3. Nigdy nie należy używać ścierających środków czyszczących lub gąbek.
4. Aby przyspieszyć stygnięcie urządzenia, należy wyjąć kosz. Wyczyścić kosz i ruszt do smażenia – czyścić nierysującą gąbką w gorącej wodzie z płynem do mycia naczyń. Przed użyciem dokładnie wysuszyć.
5. Wyczyścić element grzewczy w obudowie (widać go po wysunięciu kosza), czyścić szczoteczką, aby usunąć wszelkie resztki produktów spożywczych.

Uwaga: Kosz i ruszt do smażenia można myć w zmywarce.

ROZWIĄZYWANIE PROBLEMÓW

| Problem | Możliwa przyczyna | Rozwiązanie |
|--|--|---|
| Urządzenie nie działa. | Urządzenie nie jest podłączone do prądu. | Włożyć wtyczkę do uziemionego gniazdka ściennego. |
| | Nie nastawiono minutnika. | Przekręcić pokrętło minutnika, aby wybrać odpowiedni czas smażenia i włączyć urządzenie. |
| Składniki nie są całkowicie dopieczone. | Zbyt dużo produktów spożywczych w koszu. | Włożyć mniejsze partie składników do kosza. Mniejsze partie składników smażą się bardziej równomiernie. |
| | Zbyt niska temperatura. | Przekręcić pokrętło temperatury na żadaną temperaturę. |

| | | |
|---|--|---|
| Składniki są zapieczone nierówno. | Różne rodzaje produktów mogą wymagać potrząśnięcia i zmiany w połowie czasu. | Potrząsnąć produkty w połowie czasu smażenia. |
| Kosza nie można prawidłowo wsunąć w obudowę. | Zbyt dużo produktów w koszu. | Włożyć do kosza mniej produktów. |
| Z urządzenia wydostaje się biały dym. | Użytkownik przygotowuje tłuste produkty. | Podczas smażenia tłustych produktów do kosza kapie olej. Olej wytwarza biały dym, a kosz może się nagrzewać. Nie ma to wpływu na urządzenie ani efekt smażenia. |
| | W koszu znajduje się tłuszcz jeszcze z poprzedniego użycia. | Wyczyścić kosz po każdym użyciu. |

DANE TECHNICZNE

Napięcie robocze: 220-240V ~ 50-60Hz

Moc: 1400W

GWARANCJA I SERWIS KONSUMENCKI

Przed dostarczeniem do klienta nasze urządzenia poddawane są rygorystycznej kontroli jakości. Jeśli, pomimo wszelkich starań, podczas produkcji lub transportu pojawi się uszkodzenie, należy zwrócić urządzenie do sprzedawcy. Dodatkowo do stosowanych powszechnie przepisów, nabywca ma prawo do reklamacji na podstawie warunków niniejszej gwarancji:

Dla każdego zakupionego urządzenia zapewniamy 2 lata gwarancji, poczynając od dnia zakupu. Uszkodzony produkt można zwrócić bezpośrednio w punkcie zakupu.

Niniejsza gwarancja nie obejmuje uszkodzeń spowodowanych niewłaściwą obsługą urządzenia, usterek w wyniku modyfikacji i napraw wykonanych przez strony trzecie lub w wyniku użycia nieoryginalnych części. Należy zachować dowód zakupu, który jest jedyną podstawą złożenia roszczenia gwarancyjnego. Producent nie ponosi odpowiedzialności za uszkodzenia powstałe w wyniku nieprzestrzegania instrukcji obsługi. Powoduje to unieważnienie gwarancji. Producent nie ponosi odpowiedzialności za szkody materiałowe ani obrażenia ciała spowodowane niewłaściwą obsługą urządzenia i nieprzestrzeganiem instrukcji obsługi. Uszkodzenie akcesoriów nie oznacza bezpłatnej wymiany całego urządzenia. W takim wypadku prosimy o kontakt z naszym serwisem. Stłuczone elementy szklane lub pęknięte elementy plastikowe są wymieniane za opłatą. Uszkodzenia materiałów eksploatacyjnych lub części podlegających zużyciu, a także czyszczenie, konserwacja i wymiana wspomnianych części nie jest objęta gwarancją i podlega opłacie.

USUWANIE PRZYJAZNE ŚRODOWISKU



Recykling – Dyrektywa europejska nr 2012/19/UE

Ten znak oznacza, że urządzenia nie należy wyrzucać razem z innymi odpadami domowymi. Aby zapobiec możliwym szkodom dla środowiska i zdrowia ludzi spowodowanym niekontrolowaną utylizacją odpadów, poddaj produkt procesowi recyklingu w celu promowania zrównoważonego ponownego wykorzystywania zasobów materiałowych. Aby zwrócić zużyte urządzenie, skorzystaj z systemu oddawania zużytych produktów lub skontaktuj się ze sprzedawcą. Sprzedawca może przyjąć produkt w celu przeprowadzenia bezpiecznego dla środowiska recyklingu.

Emerio Deutschland GmbH (no service address)
Höffer Weg 14
51519 Odenthal
Germany

Dział obsługi klienta:

T: +49 (0) 3222 1097 600

E: info.de@emerio.eu