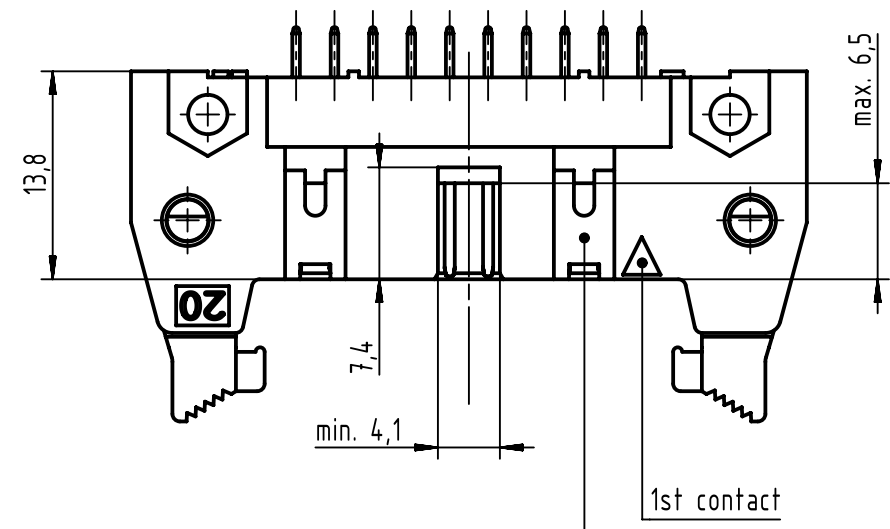
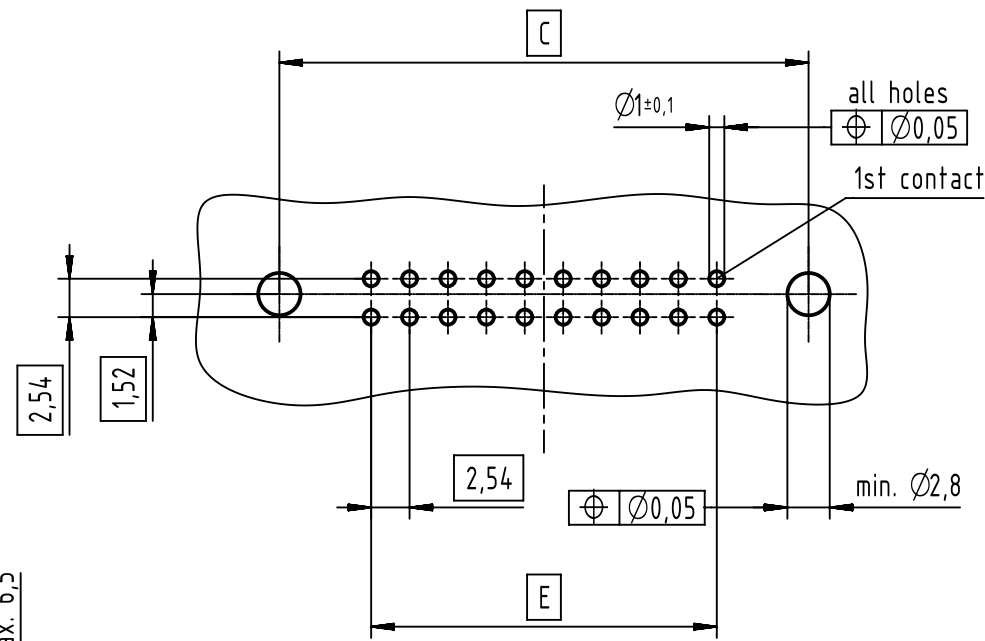
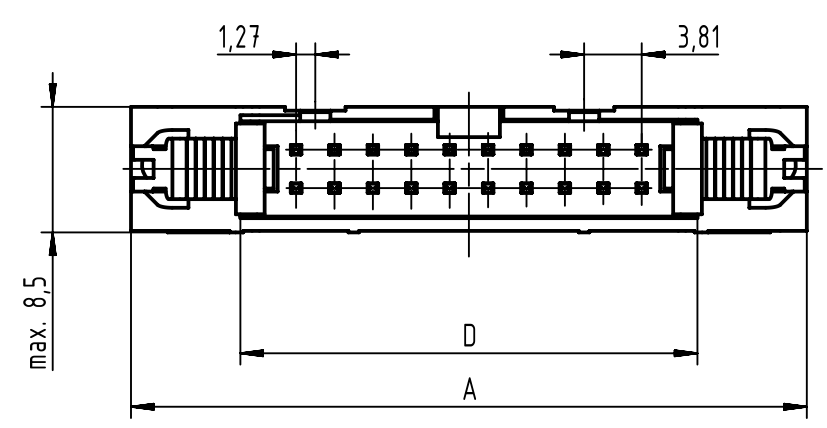
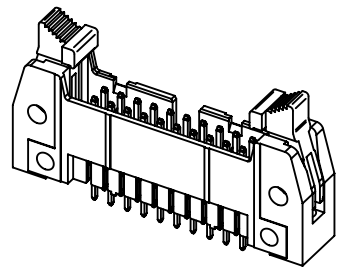


PCB layout
view component side
thickness 1,6



see table for coding,
feature arrangement and style



coding style table	
	style A: for connectors 6-pole
	style B: for connectors from 10 to 14-pole
	style C: for connectors from 16 to 64-pole

further information
see: DS 09181200001
full range of P/N's and
dimensions shown on page 2/2

	All rights reserved Department EC PD - DE	Created by STORCK	Inspected by TADJE	Standardisation KOHLER	Date 2015-12-21	State Final Release	Ref. Sub. TB 09185XXX914/914800 / 500000087654 / 2015-04-08
	HARTING Electronics GmbH D-32339 Espelkamp	Title SEK 18 male standard conn straight with short lever 2.9		Type TB	Number 09185XXX914	Doc-Key / ECM-Nr. 100154464/UGD/023/A 50000094595	Rev. A Page 1/2

A	1	2		3		4		5		6		7		8	
	no. of contacts	performance level						insulator colour	dimensions						
		PL3		PL2		S4			A max.	C	D	E	F		
	part number	part number	part number	part number	part number	part number									
B	06	09 18 506 7914	09 18 506 6914	09 18 506 5914			grey	27,2	22,86	12,45	2,54 x 2 = 5,08	36,9			
	10	09 18 510 7914	09 18 510 6914	09 18 510 5914				32,3	27,94	17,53	2,54 x 4 = 10,16	42,0			
	14	09 18 514 7914	09 18 514 6914	09 18 514 5914				37,4	33,02	22,61	2,54 x 6 = 15,24	47,1			
	16	09 18 516 7914	09 18 516 6914	09 18 516 5914				39,9	35,56	25,15	2,54 x 7 = 17,78	49,6			
	20	09 18 520 7914	09 18 520 6914	09 18 520 5914				45,0	40,64	30,23	2,54 x 9 = 22,86	54,7			
	24	09 18 524 7914	09 18 524 6914	09 18 524 5914				50,1	45,72	35,91	2,54 x 11 = 27,94	59,8			
	26	09 18 526 7914	09 18 526 6914	09 18 526 5914				52,6	48,26	37,85	2,54 x 12 = 30,48	62,3			
	30	09 18 530 7914	09 18 530 6914	09 18 530 5914				58,0	53,34	43,83	2,54 x 14 = 35,56	68,2			
	34	09 18 534 7914	09 18 534 6914	09 18 534 5914				62,8	58,42	48,01	2,54 x 16 = 40,64	72,5			
	40	09 18 540 7914	09 18 540 6914	09 18 540 5914				70,4	66,04	55,63	2,54 x 19 = 48,26	80,1			
	50	09 18 550 7914	09 18 550 6914	09 18 550 5914				83,1	78,74	68,33	2,54 x 24 = 60,96	92,8			
	60	09 18 560 7914	09 18 560 6914	09 18 560 5914				95,8	91,44	81,03	2,54 x 29 = 73,66	105,5			
	64	09 18 564 7914	09 18 564 6914	09 18 564 5914				100,9	96,52	86,11	2,54 x 31 = 78,74	110,6			
	C	06	09 18 506 7914 001	09 18 506 6914 001	09 18 506 5914 001				black	27,2	22,86	12,45	2,54 x 2 = 5,08	36,9	
10		09 18 510 7914 001	09 18 510 6914 001	09 18 510 5914 001			32,3	27,94		17,53	2,54 x 4 = 10,16	42,0			
14		09 18 514 7914 001	09 18 514 6914 001	09 18 514 5914 001			37,4	33,02		22,61	2,54 x 6 = 15,24	47,1			
16		09 18 516 7914 001	09 18 516 6914 001	09 18 516 5914 001			39,9	35,56		25,15	2,54 x 7 = 17,78	49,6			
20		09 18 520 7914 001	09 18 520 6914 001	09 18 520 5914 001			45,0	40,64		30,23	2,54 x 9 = 22,86	54,7			
24		09 18 524 7914 001	09 18 524 6914 001	09 18 524 5914 001			50,1	45,72		35,91	2,54 x 11 = 27,94	59,8			
26		09 18 526 7914 001	09 18 526 6914 001	09 18 526 5914 001			52,6	48,26		37,85	2,54 x 12 = 30,48	62,3			
30		09 18 530 7914 001	09 18 530 6914 001	09 18 530 5914 001			58,0	53,34		43,83	2,54 x 14 = 35,56	68,2			
34		09 18 534 7914 001	09 18 534 6914 001	09 18 534 5914 001			62,8	58,42		48,01	2,54 x 16 = 40,64	72,5			
40		09 18 540 7914 001	09 18 540 6914 001	09 18 540 5914 001			70,4	66,04		55,63	2,54 x 19 = 48,26	80,1			
50		09 18 550 7914 001	09 18 550 6914 001	09 18 550 5914 001			83,1	78,74		68,33	2,54 x 24 = 60,96	92,8			
60		09 18 560 7914 001	09 18 560 6914 001	09 18 560 5914 001			95,8	91,44		81,03	2,54 x 29 = 73,66	105,5			
64		09 18 564 7914 001	09 18 564 6914 001	09 18 564 5914 001			100,9	96,52		86,11	2,54 x 31 = 78,74	110,6			
D		06	09 18 506 7914 800	09 18 506 6914 800	09 18 506 5914 800			grey without printing		27,2	22,86	12,45	2,54 x 2 = 5,08	36,9	
	10	09 18 510 7914 800	09 18 510 6914 800	09 18 510 5914 800			32,3		27,94	17,53	2,54 x 4 = 10,16	42,0			
	14	09 18 514 7914 800	09 18 514 6914 800	09 18 514 5914 800			37,4		33,02	22,61	2,54 x 6 = 15,24	47,1			
	16	09 18 516 7914 800	09 18 516 6914 800	09 18 516 5914 800			39,9		35,56	25,15	2,54 x 7 = 17,78	49,6			
	20	09 18 520 7914 800	09 18 520 6914 800	09 18 520 5914 800			45,0		40,64	30,23	2,54 x 9 = 22,86	54,7			
	24	09 18 524 7914 800	09 18 524 6914 800	09 18 524 5914 800			50,1		45,72	35,91	2,54 x 11 = 27,94	59,8			
	26	09 18 526 7914 800	09 18 526 6914 800	09 18 526 5914 800			52,6		48,26	37,85	2,54 x 12 = 30,48	62,3			
	30	09 18 530 7914 800	09 18 530 6914 800	09 18 530 5914 800			58,0		53,34	43,83	2,54 x 14 = 35,56	68,2			
	34	09 18 534 7914 800	09 18 534 6914 800	09 18 534 5914 800			62,8		58,42	48,01	2,54 x 16 = 40,64	72,5			
	40	09 18 540 7914 800	09 18 540 6914 800	09 18 540 5914 800			70,4		66,04	55,63	2,54 x 19 = 48,26	80,1			
	50	09 18 550 7914 800	09 18 550 6914 800	09 18 550 5914 800			83,1		78,74	68,33	2,54 x 24 = 60,96	92,8			
	60	09 18 560 7914 800	09 18 560 6914 800	09 18 560 5914 800			95,8		91,44	81,03	2,54 x 29 = 73,66	105,5			
	64	09 18 564 7914 800	09 18 564 6914 800	09 18 564 5914 800			100,9		96,52	86,11	2,54 x 31 = 78,74	110,6			

	All rights reserved	Created by	Inspected by	Standardisation	Date	State	
	Department EC PD - DE	STORCK	TADJE	KOHLER	2015-12-21	Final Release	
HARTING Electronics GmbH D-32339 Espelkamp		Title SEK 18 male standard conn straight with short lever 2.9				Doc-Key / ECM-Nr. 100154464/UGD/023/A 50000094595	
		Type	Number		Rev.	Page	
		TB	09185XXX914		A	2/2	