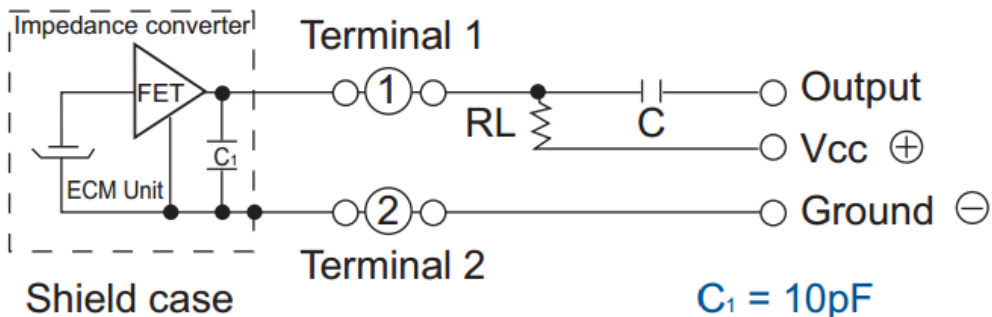


## Specification

- |                                 |                            |
|---------------------------------|----------------------------|
| 1) Sensitivity :                | -40 ± 3dB (0dB=1Vpa, 1kHz) |
| 2) Directivity:                 | Omnidirectional            |
| 3) Impedance :                  | Low impedance              |
| 4) Current consumption :        | Max.500uA                  |
| 5) Standard operation voltage : | 2.0V                       |
| 6) Sensitivity reduction :      | Within-3dB at 1.5V         |
| 7) S/N ratio :                  | More than 58dB             |

## Schematic Circuit

(Test Condition :  $V_S=2.0V$ ,  $R_L=2.2k\Omega$ )



## Typical Frequency Response

