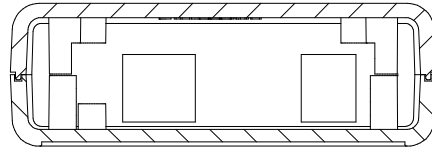
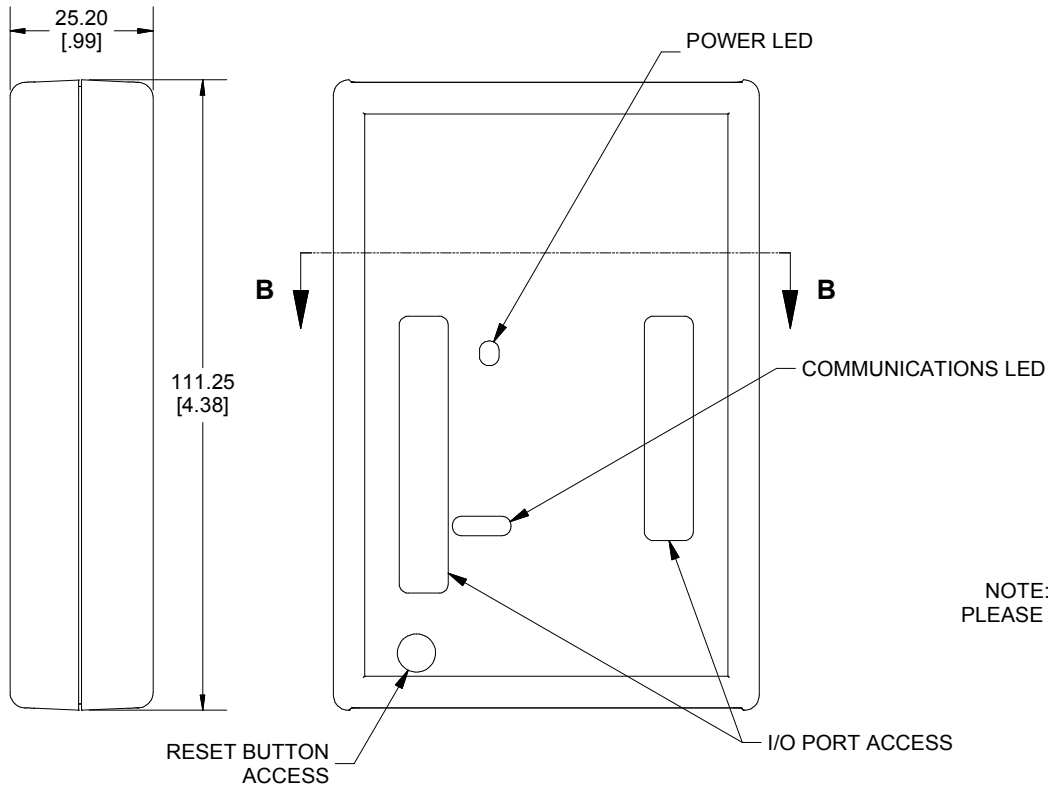


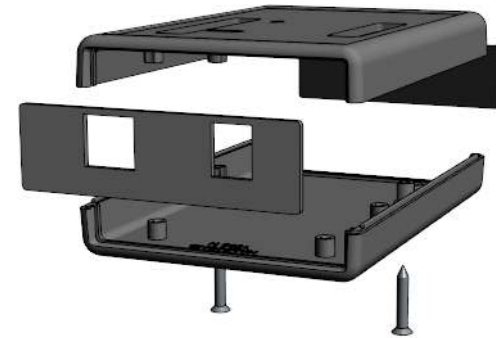
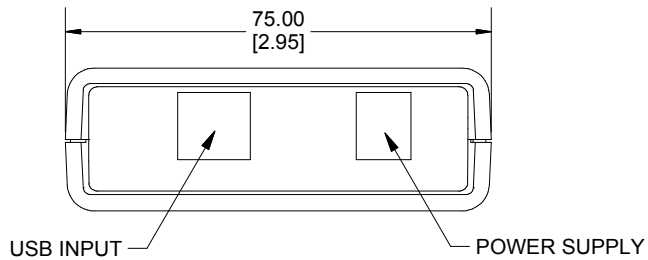
Enclosures can be Factory Modified ( Milling, Drilling, Printing etc.)  
 Contact Factory [mjm@hammondmfg.com](mailto:mjm@hammondmfg.com) for quotes



**SECTION B-B**



**ASSEMBLY - VIEW FROM TOP SIDE**



NOTE: 1593UNO ENCLOSURE IS BASED ON HAMMOND STANDARD 1593N  
 PLEASE SEE 1593N DRAWING FOR STANDARD ENCLOSURE SPECIFICATIONS

**NOTE**

Purchased assembly includes top and bottom cover, front and rear end panels, 2 cover screws, 1 black rubber foot, and 1 plastic spacer. (P.C. Board not included)  
 Enclosure molded from ABS Plastic.

**PART NUMBERS**

1593HAMUNO Enclosure	
Black Enclosure	1593HAMUNOBK
Grey Enclosure	1593HAMUNOGY
Translucent Blue Enclosure	1593HAMUNOTBU

**HAMMOND  
 MANUFACTURING™**  
**1593HAMUNO**  
[www.hammondmfg.com](http://www.hammondmfg.com)

Dimensions:  
 mm  
 [inches]