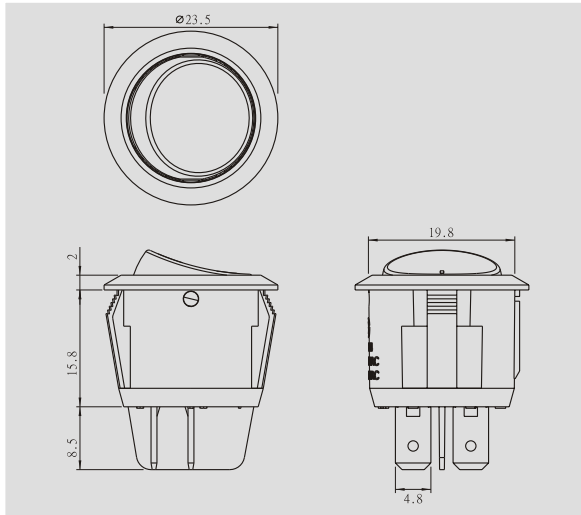


R13-244



Rating
16A 125V AC 10A 250V AC
Contact resistance
50mΩ Max
Insulation resistance
DC 500V 100MΩ Min
Dielectric strength
AC 1500V 1 minute
Cut-out
3 mm max

FEATURES

- * MATERIAL: Frames are nylon (UL flame: 94V-2). Terminals are silver plated brass.
- * Illuminated actuators are molded in PC, available with red, amber, and green colors.
- * Snap-in mounting, easy to install switch into panel.
- * Waterproof cover is optional.

R13-244 -

FUNCTION		TERMINAL
A ON OFF 4P DPST	G ON (ON) 6P DPDT	0 2 .187" SQ
B ON OFF 4P DPST (ILLUMINATED) 125VAC 33KΩ / 250VAC 150KΩ	H ON OFF (ON) 6P DPDT	
C ON ON 6P DPDT	I (ON) OFF (ON) 6P DPDT	
D ON OFF ON 6P DPDT	* () = momentary	

