

Best. Nr. 452 766

### BNC Plug Terminal Adapter



#### Specification

Normal impedance: 50  $\Omega$

Frequency range: 0-2GHz

Dimension: 49 x 29 x 15.8 mm (max.)

Working voltage: 500 V rms

Contact resistance:

Inner: 1.5m $\Omega$  / Outer:0.2m $\Omega$

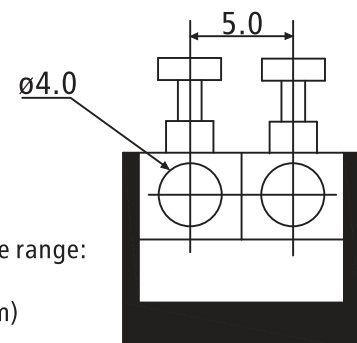
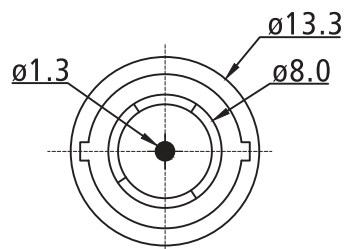
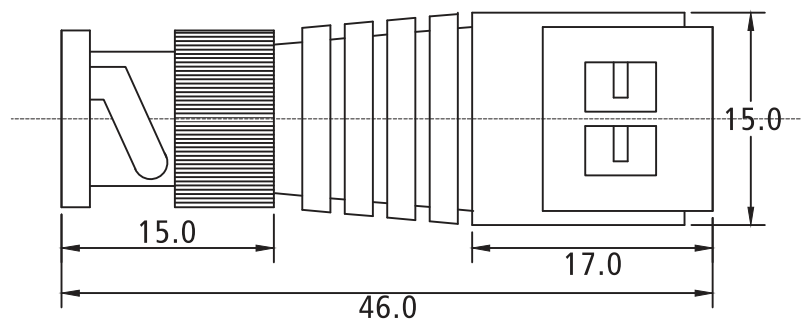
Insulation resistance: 5000M $\Omega$

Dielectric withstand voltage: 1500V/AC

Operating temperature: -30 ~ 80 $^{\circ}$ C

Operating humidity: >85%RH

Durability: >500 cycles



Suitable wire range:  
20 - 18 AWG  
(0.8 - 1.0 mm)