

MODELS C AND CR



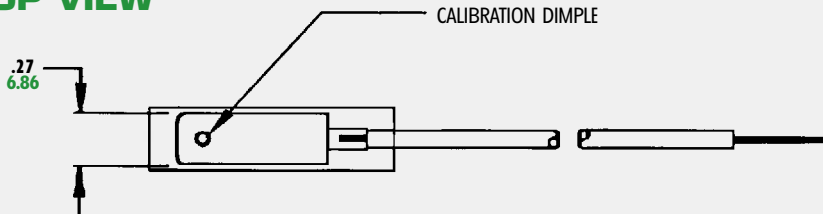
A creep action thermostat/thermal protector with conductive bimetal construction. Low internal resistance and available with gold diffused contacts for use in low voltage/low current applications.

FEATURES

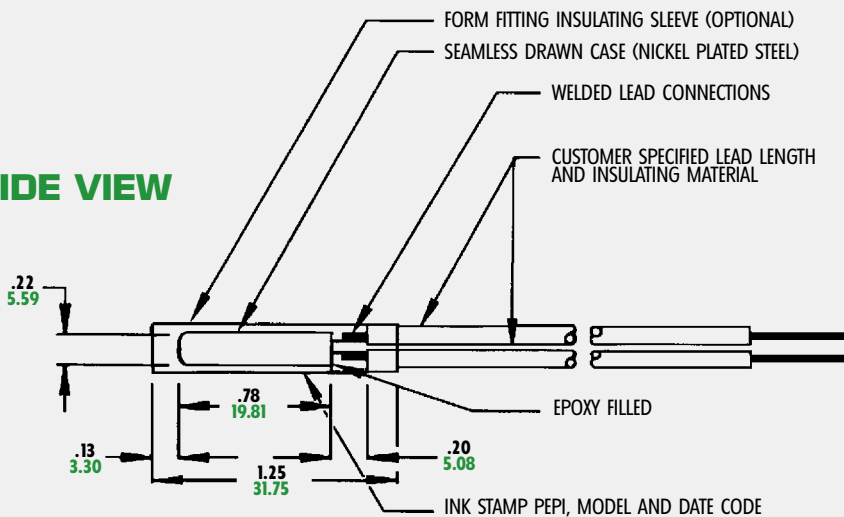
- Conductive bimetal construction; the bimetallic element carries the circuit current.
- No built-in differential between the opening and closing temperature.
- Case electrically alive; insulating sleeving is available.
- Preset calibration temperature; not adjustable in the field.
- Available to open circuit on rise of temperature (normally closed), Model C; or close circuit on rise of temperature (normally open), Model CR.
- Available with gold diffused, fine silver contacts for use in low voltage/low current applications.

MODELS C AND CR

TOP VIEW



SIDE VIEW



CONTACT RATINGS

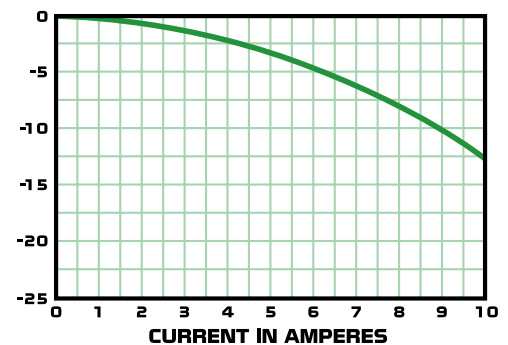
- 6 amps/120 volts AC resistive
- 5 amps/120 volts AC inductive

Please consult our Sales Engineers for suggested contact ratings when applied to DC type loads.

CALIBRATION TEMPERATURE RANGE

- Available with nominal calibration temperatures from 5°C to 200°C.

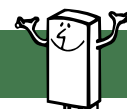
CURRENT DERATING CURVE



We come through when the heat is on™

METRIC DIMENSIONS ARE IN MM (SHOWN IN GREEN)

Copyright 2006, Portage Electric Products, Incorporated, all right reserved



Pepi®

Portage Electric Products, Inc.