

IWAKI BELLOWS PUMPS

KB



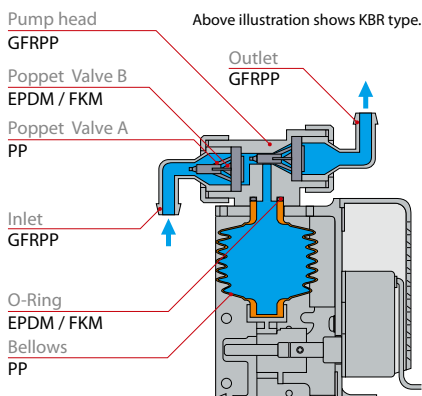
KBR type

Persuit of compact-size and cost-effectiveness

The IWAKI bellows pump KB series (KB, KBA & KBR) is chemical feed pump which features the simplest structures and low cost.

KBA and KBR, developed by pursuing compact-size and facilities which are used in the small flow range. Since all waste is eliminated and high reliability is ensured, KB series is suitable to various applications such as chemical feeding units, food processing machinery and analytical equipment in addition to quantitative chemical feeding to automatic photo developing machines.

Wet-end materials



KB type



KBA type

Solution for chemical handling applications

Specifications

KB type

Type	Model	Max.Capacity mL/min		Stroke rate spm		Max. Pressure MPa	Connection ø mm	Motor output W 50,60Hz
		50Hz	60Hz	50Hz	60Hz			
Simplex	KB-3X	1450	1740	110	132	0.03	12	3.2
	KB-4N	2150	2550	40	48			25
Duplex	2KB-3X	1450x2	1740x2	110	132	0.03	12	3.2

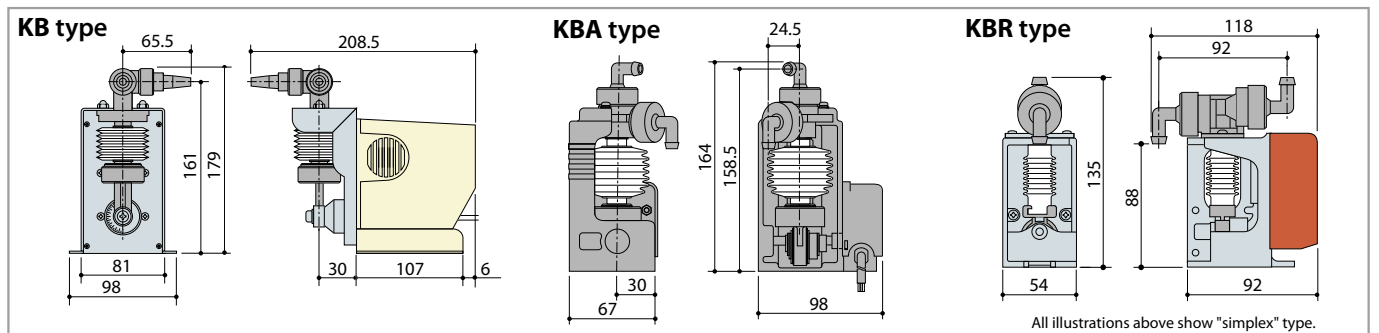
KBA type

Type	Model	Max.Capacity mL/min		Stroke rate spm		Max. Pressure MPa	Connection ø mm	Motor input W 50,60Hz
		50Hz	60Hz	50Hz	60Hz			
Simplex	KBA-1Z	29	35	10	12	0.04	9	3.5
	KBA-2Z	62	75			0.03		
	KBA-3Z	119	141	0.02				
	KBA-3Y	146	175	12.5	15	0.01		
	KBA-3X	232	278	20	24	0.02		
Duplex	2KBA-3Z	119x2	141x2	10	12	0.02	9	3.5
	2KBA-3X	232x2	278x2	20	24	0.01	9	4.5

KBR type

Type	Model	Max.Capacity mL/min		Stroke rate spm		Max. Pressure MPa	Connection ø mm	Motor input W 50,60Hz	
		50Hz	60Hz	50Hz	60Hz				
Simplex	KBR-0Z	4.1	4.9	10	12	0.01	4	3.5	
	KBR-0X	8.2	9.8	20	24			4.5	
	KBR-1Z	17	20	10	12			3.5	
	KBR-2Z	25	30				4.5		
	KBR-2X	50	60	20	24		3.5	9	4.5
	KBR-3Z	90	108	10	12		3.5		
	KBR-3X	180	216	20	24		4.5		

Dimensions in mm



Notes

- Max.flow rate shown above is value under following conditions. • Clear water 20°C. • Discharge side is fully open.
- Flow rate is varied by liquid temp.
- Max.discharge pressure shown on above table is value when suction lift is 0 m.
- Liquid temperature : KB:0-60°C, KBA:0-40°C, KBR:0-40°C
- Ambient temperature : 0-40°C(5-40°C for KBR)

IWAKI CO., LTD.

6-6 Kanda-Sudacho 2-chome Chiyoda-ku Tokyo 101-8558 Japan TEL : (81)3 3254 2935 FAX : 3 3252 8892

www.iwakipumps.jp

The posting and copying from this catalogue without permission is not accepted firmly.

EUROPE

European office	: IWAKI Europe GmbH	TEL: (49)2154 9254 0	FAX: 2154 9254 48
Holland	: IWAKI Europe (NL Branch)	TEL: (31)547 293 160	FAX: 547 292 332
Belgium	: IWAKI Belgium N.V.	TEL: (32)13 67 02 00	FAX: 13 67 20 30
Denmark	: IWAKI Nordic A/S	TEL: (45)48 24 2345	FAX: 48 24 2346
Finland	: IWAKI Suomi Oy	TEL: (358)9 2745810	FAX: 9 2742715
France	: IWAKI France S.A.	TEL: (33)1 69 63 33 70	FAX: 1 64 49 92 73
Germany	: IWAKI Europe GmbH	TEL: (49)2154 9254 50	FAX: 2154 9254 55
Italy	: IWAKI Italia S.R.L.	TEL: (39)0444 371 115	FAX: 0444 335350
Norway	: IWAKI Norge AS	TEL: (47)23 38 49 00	FAX: 23 38 49 01
Spain	: IWAKI Iberica Pumps, S.A.	TEL: (34)943 630030	FAX: 943 628799
Sweden	: IWAKI Sverige AB	TEL: (46)8 511 72900	FAX: 8 511 72922
Switzerland	: IWAKI (Schweiz) AG	TEL: (41)26 674 93 00	FAX: 26 674 93 02
U.K.	: IWAKI Pumps (UK) Ltd.	TEL: (44)1743 231363	FAX: 1743 366507

ASIA / OCEANIA / NORTH AMERICA / SOUTH AMERICA

China	: IWAKI Pumps Co., Ltd.	TEL: (852)2607 1168	FAX: 2607 1000
Korea	: IWAKI Korea Co., Ltd.	TEL: (82)2 2630 4800	FAX: 2 2630 4801
Malaysia	: IWAKIm Sdn. Bhd.	TEL: (60)3 7803 8807	FAX: 3 7803 4800
Singapore	: IWAKI Singapore Pte Ltd.	TEL: (65)6316 2028	FAX: 6316 3221
Indonesia	: IWAKI Singapore (Indonesia Branch)	TEL: (62)21 6906606	FAX: 21 6906612
Taiwan	: IWAKI Pumps Taiwan Co., Ltd.	TEL: (886)2 8227 6900	FAX: 2 8227 6818
Thailand	: IWAKI (Thailand) Co., Ltd.	TEL: (66)2 322 2471	FAX: 2 322 2477
Vietnam	: IWAKI Pumps Vietnam Co., Ltd.	TEL: (84)613 933456	FAX: 613 933399
Australia	: IWAKI Pumps Australia Pty Ltd.	TEL: (61)2 9899 2411	FAX: 2 9899 2421
U.S.A.	: IWAKI America Inc.	TEL: (1)508 429 1440	FAX: 508 429 1386
Argentina	: IWAKI America Inc. (Argentina Branch)	TEL: (54)11 4745 4116	

()Country codes

⚠ Caution for safety use: Before use of pump, read instruction manual carefully to use the product correctly.
Actual pumps may differ from the photos. Specifications and dimensions are subject to change without prior notice. For further details please contact us.

⚠ Legal attention related to export.
Our products and/or parts of products fall in the category of goods contained in control list of international regime for export control. Please be reminded that export license could be required when products are exported due to export control regulations of countries.

