

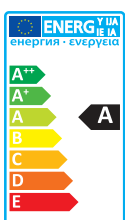


## E-CORE PAR16 4,5W / 7W / 8W

The elegant mains-voltage spotlights with robust GU10 base shine with their excellent energy-saving credentials and ease of use. Suitable for a multitude of uses, they can be dimmed to offer atmospheric lighting or daylight-brightness accents – even at considerable distance.

### Application:

- + Accent Lighting
- + Display Lighting
- + Residential Lighting



## Product details

- + Elegant high-voltage spotlights with GU10 bayonet base
- + Retrofit and compact shape for all the models
- + Dimmable
- + Focussed light with different beam angles: 36° and 60°
- + Mercury free
- + Reduction of energy consumption of up to 87%
- + Low IR or UV radiation
- + Life time up to 25,000 hours
- + Pleasant warm or neutral white light
- + Instant light
- + Outstanding light quality delivered by great optics

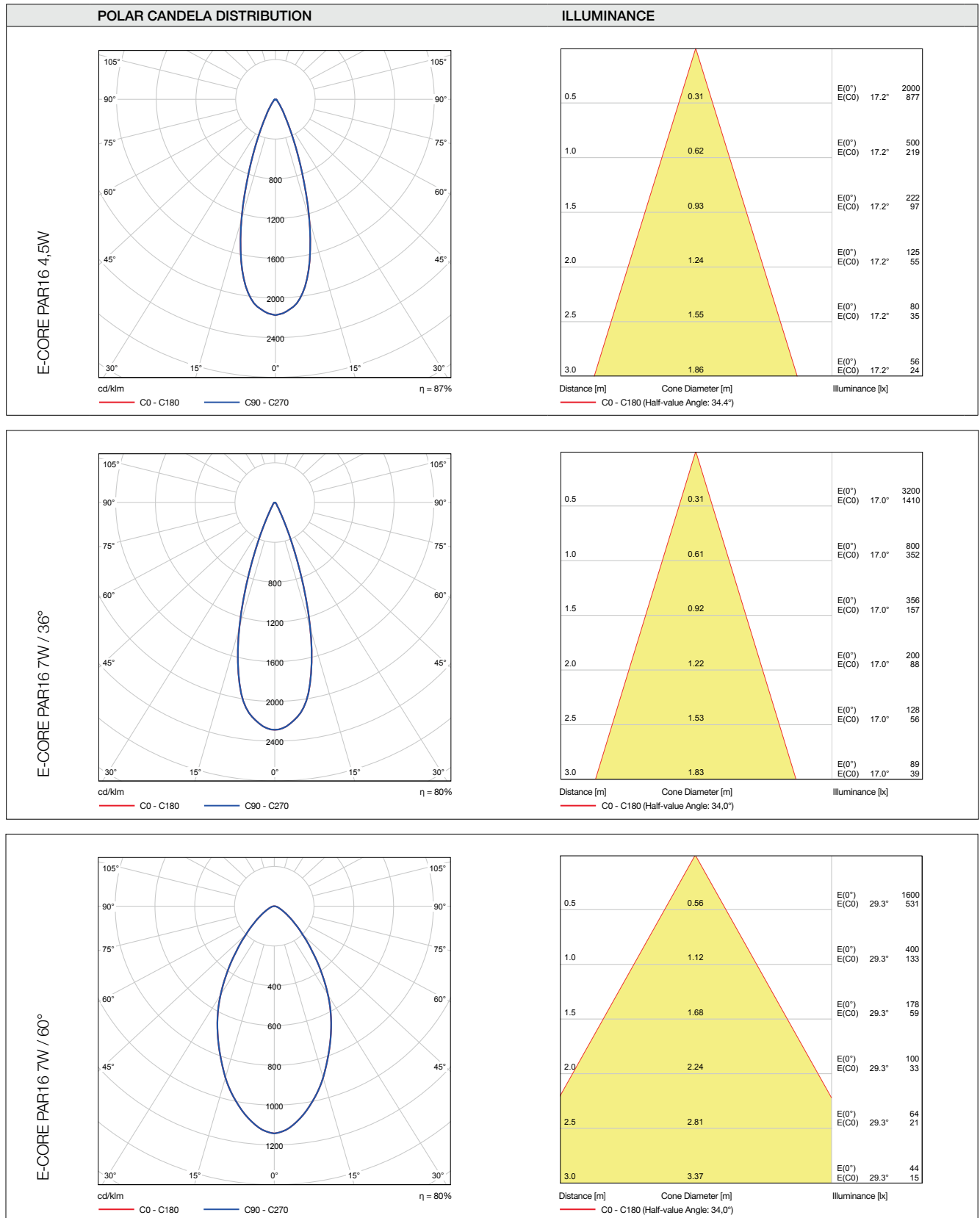
## Optical parameters

MODEL NAME	E-CORE PAR16 4,5W		
Product code	LDP004D27M40DEU	LDP004D30M40DEU	LDP004D40M40DEU
Useful luminous flux	230 lm	230 lm	230 lm
Total luminous flux	250 lm	250 lm	250 lm
Colour description	Warm white	Warm white	Neutral white
Colour temperature	<b>2700 K</b>	<b>3000 K</b>	<b>4000 K</b>
Colour rendering index	≥ 80 Ra	≥ 80 Ra	≥ 80 Ra
Beam angle	36°	36°	36°
Lamp efficacy	51.1 lm/W	51.1 lm/W	51.1 lm/W
Luminous intensity	500 cd	500 cd	500 cd
Lumen maintenance factor	L70	L70	L70
Energy class	A+	A+	A+
Energy efficiency wattage	5 kWh/1000 h	5 kWh/1000 h	5 kWh/1000 h

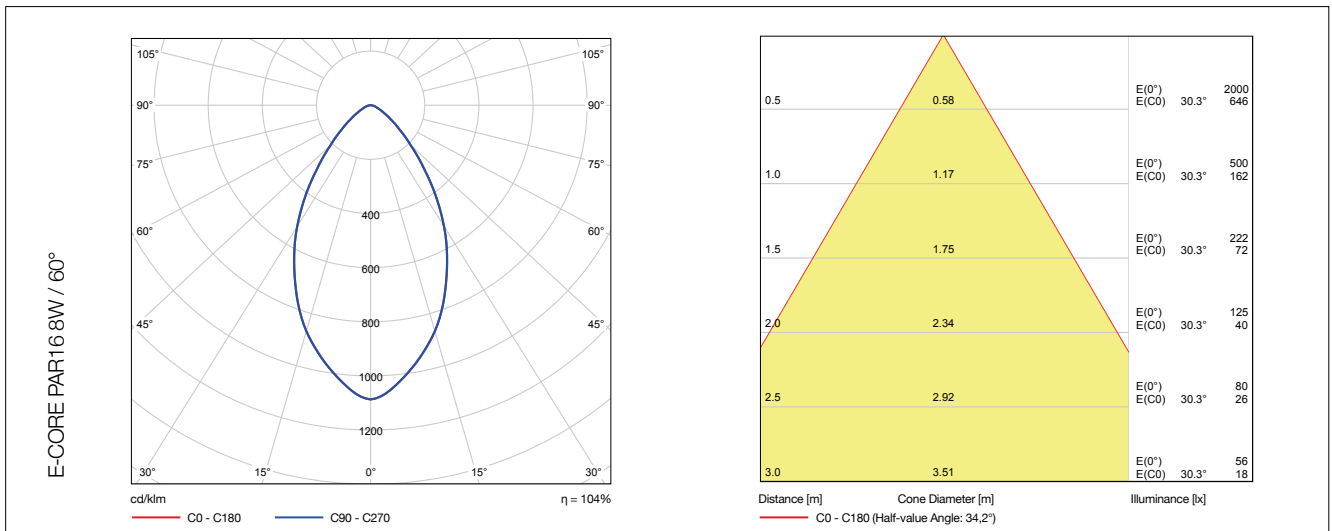
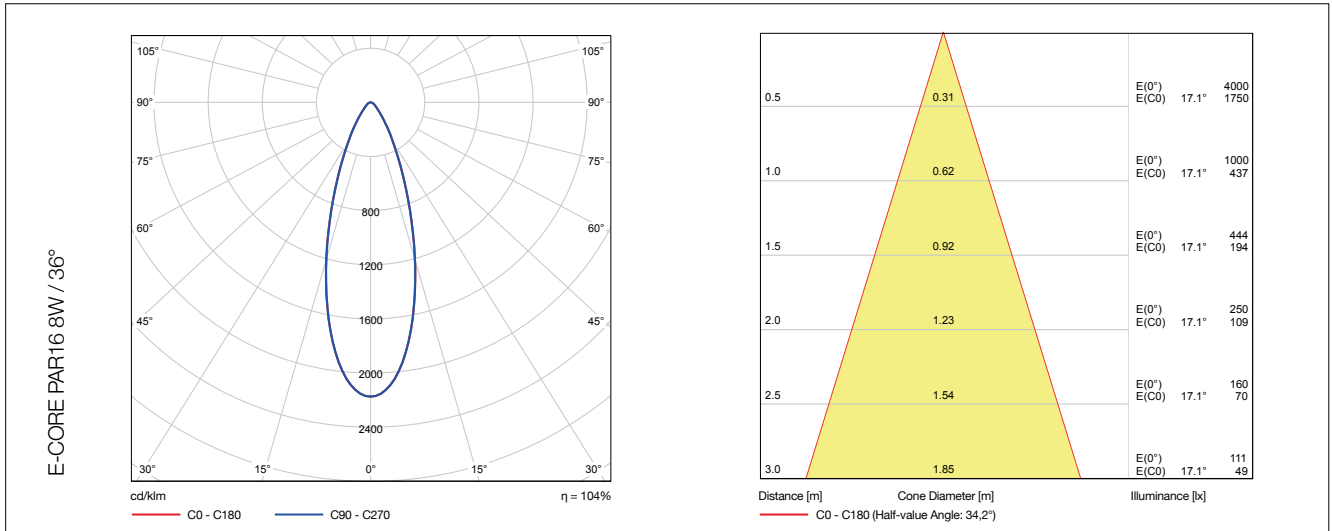
MODEL NAME	E-CORE PAR16 7W		
Product code	LDP005D27M40DEU / LDP005D27W40DEU	LDP005D30M40DEU / LDP005D30W40DEU	LDP005D40M40DEU / LDP005D40W40DEU
Useful luminous flux	350 lm	350 lm	350 lm
Total luminous flux	380 lm	380 lm	380 lm
Colour description	Warm white	Warm white	Neutral white
Colour temperature	<b>2700 K</b>	<b>3000 K</b>	<b>4000 K</b>
Colour rendering index	≥ 80 Ra	≥ 80 Ra	≥ 80 Ra
Beam angle	36° / 60°	36° / 60°	36° / 60°
Lamp efficacy	50.0 lm/W	50.0 lm/W	50.0 lm/W
Luminous intensity	800 cd / 400 cd	800 cd / 400 cd	800 cd / 400 cd
Lumen maintenance factor	L70	L70	L70
Energy class	A	A	A
Energy efficiency wattage	7 kWh/1000 h	7 kWh/1000 h	7 kWh/1000 h

MODEL NAME	E-CORE PAR16 8W		
Product code	LDP006D27M40DEU / LDP006D27W40DEU	LDP006D30M40DEU / LDP006D30W40DEU	LDP006D40M40DEU / LDP006D40W40DEU
Useful luminous flux	460 lm	460 lm	460 lm
Total luminous flux	500 lm	500 lm	500 lm
Colour description	Warm white	Warm white	Neutral white
Colour temperature	<b>2700 K</b>	<b>3000 K</b>	<b>4000 K</b>
Colour rendering index	≥ 80 Ra	≥ 80 Ra	≥ 80 Ra
Beam angle	36° / 60°	36° / 60°	36° / 60°
Lamp efficacy	57.5 lm/W	57.5 lm/W	57.5 lm/W
Luminous intensity	1,000 cd / 500 cd	1,000 cd / 500 cd	1,000 cd / 500 cd
Lumen maintenance factor	L70	L70	L70
Energy class	A	A	A
Energy efficiency wattage	8 kWh/1000 h	8 kWh/1000 h	8 kWh/1000 h

## Optical parameters



## Optical parameters



## Electrical parameters

MODEL NAME	E-CORE PAR16 4,5W		
Product code	LDP004D27M40DEU	LDP004D30M40DEU	LDP004D40M40DEU
Rated voltage	220-240 V	220-240 V	220-240 V
Rated wattage	4.5 W	4.5 W	4.5 W
Frequency	50 Hz	50 Hz	50 Hz
Rated input current	39 mA	39 mA	39 mA
Power factor	> 0.4	> 0.4	> 0.4
Rated lifetime	25,000 h	25,000 h	25,000 h
Switching cycle	> 15,000	> 15,000	> 15,000
Starting time	< 0.5 s	< 0.5 s	< 0.5 s
Warm-up time	Instant full light	Instant full light	Instant full light
Dimming*	Yes	Yes	Yes

MODEL NAME	E-CORE PAR16 7W		
Product code	LDP005D27M40DEU / LDP005D27W40DEU	LDP005D30M40DEU / LDP005D30W40DEU	LDP005D40M40DEU / LDP005D40W40DEU
Rated voltage	220-240 V	220-240 V	220-240 V
Rated wattage	7 W	7 W	7 W
Frequency	50 Hz	50 Hz	50 Hz
Rated input current	40 mA	40 mA	40 mA
Power factor	> 0.7	> 0.7	> 0.7
Rated lifetime	25,000 h	25,000 h	25,000 h
Switching cycle	> 15,000	> 15,000	> 15,000
Starting time	< 0.5 s	< 0.5 s	< 0.5 s
Warm-up time	Instant full light	Instant full light	Instant full light
Dimming*	Yes	Yes	Yes

MODEL NAME	E-CORE PAR16 8W		
Product code	LDP006D27M40DEU / LDP006D27W40DEU	LDP006D30M40DEU / LDP006D30W40DEU	LDP006D40M40DEU / LDP006D40W40DEU
Rated voltage	220-240 V	220-240 V	220-240 V
Rated wattage	8 W	8 W	8 W
Frequency	50 Hz	50 Hz	50 Hz
Rated input current	45 mA	45 mA	45 mA
Power factor	> 0.7	> 0.7	> 0.7
Rated lifetime	25,000 h	25,000 h	25,000 h
Switching cycle	> 15,000	> 15,000	> 15,000
Starting time	< 0.5 s	< 0.5 s	< 0.5 s
Warm-up time	Instant full light	Instant full light	Instant full light
Dimming*	Yes	Yes	Yes

\* Dimmable on suitable dimmers.

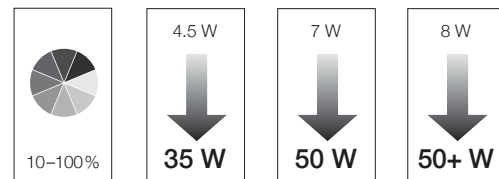
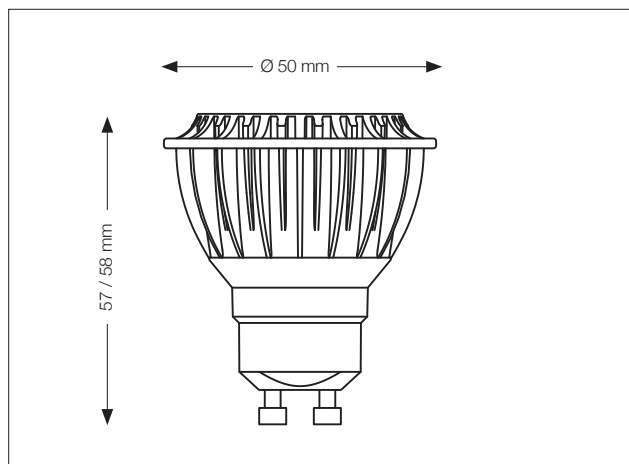
## Mechanical parameters

MODEL NAME	E-CORE PAR16 4,5W		
Product code	LDP004D27M40DEU	LDP004D30M40DEU	LDP004D40M40DEU
Overall length	57 mm	57 mm	57 mm
Diameter	50 mm	50 mm	50 mm
Net weight	75 g	75 g	75 g
Cap	GU10	GU10	GU10

MODEL NAME	E-CORE PAR16 7W		
Product code	LDP005D27M40DEU / LDP005D27W40DEU	LDP005D30M40DEU / LDP005D30W40DEU	LDP005D40M40DEU / LDP005D40W40DEU
Overall length	57 mm	57 mm	57 mm
Diameter	50 mm	50 mm	50 mm
Net weight	75 g	75 g	75 g
Cap	GU10	GU10	GU10

MODEL NAME	E-CORE PAR16 8W		
Product code	LDP006D27M40DEU / LDP006D27W40DEU	LDP006D30M40DEU / LDP006D30W40DEU	LDP006D40M40DEU / LDP006D40W40DEU
Overall length	58 mm	58 mm	58 mm
Diameter	50 mm	50 mm	50 mm
Net weight	75 g	75 g	75 g
Cap	GU10	GU10	GU10

## Drawings



According to  
ErP 1194/2012

## Dimmability

The LED-Lamps can be dimmed in a range of 10%-100%. A general compatibility to all dimmers can't be granted. A list of recommended dimmers can be found on our website [www.toshiba.eu/lighting](http://www.toshiba.eu/lighting).

### RECOMMENDED DIMMERS FOR MAX. 8 LAMPS WITH A DIMMING OF 10 %-100 % (UNDER PROGRESS):

AURORA AU-DSP250 250W	AURORA AU-DSP400 400W	BERKER 2830_10 60-400W
BERKER 2873 20-500W	BUSCH-JAEGER 6513U-102 40-420W	BUSCH-JAEGER 2247U 500W
BUSCH-JAEGER 2250U 600W	CONRAD EMD200 40-300W	CRABTREE BQLP003 60-400W
DANLERS DP1D250WIET 40-250W	DANLERS DP1D400WIET 40-400W	DANLERS DP1D250W 40-250W
DETA S1253 400W	GIRA 030200 100 60-600W	HAGER EV100 1000W
JUNG 225NV DE 20-500W	JUNG 266GDE 60-600W	JUNG 225T DE 20-525W
LUTRON LLSM-502H 40-500W	MK K1501 WHI LV 60-500W	NEWLEC GET NL1131N 60-250W
PEHA 436 60-600W	PEHA 435HAN 60-600W	RVE RV5 1000W
SCHNEIDER UNICA TOP 511 500W	SOLOGIC 28956 20-400W	SOLOGIC 28969 20-600W

## Important notes

LED lamps are not resistive loads for the dimmers and therefore the power rating of the dimmer can't be directly converted. Incompatibilities between LED lamp and dimmer are expressed as flickering and restrictions in the dimming range.

\* Some dimmers may cause flickering and no dimming at lower level. When the dimmer is connected to numerous lamps, it may not be possible to dim the light to the lowest possible levels. Respective timing on dimming each lamp may differ. When turning on the lamp from 100% dimming, the lamp may not turn back on. Increase dimmer to higher level until lamp turns on.

## Logistic data

PRODUCT CODE / 4,5W	EAN/ITF CODE	PACKAGING TYPE	SIZE OF PACKAGING	GROSS WEIGHT
LDP004D27M40DEU	4974550486866	Gift box (1pce)	50 mm x 50 x mm 60 mm	85 g
	14974550486863	Carton (10pcs)	265 mm x 110 x mm 68 mm	894 g
	24974550486860	Carton (40pcs)	575 mm x 282 x mm 160 mm	9,436 g
LDP004D30M40DEU	4974550486873	Gift box (1pce)	50 mm x 50 x mm 60 mm	85 g
	14974550486870	Carton (10pcs)	265 mm x 110 x mm 68 mm	894 g
	24974550486877	Carton (40pcs)	575 mm x 282 x mm 160 mm	9,436 g
LDP004D40M40DEU	4974550486880	Gift box (1pce)	50 mm x 50 x mm 60 mm	85 g
	14974550486887	Carton (10pcs)	265 mm x 110 x mm 68 mm	894 g
	24974550486884	Carton (40pcs)	575 mm x 282 x mm 160 mm	9,436 g

PRODUCT CODE / 7W	EAN/ITF CODE	PACKAGING TYPE	SIZE OF PACKAGING	GROSS WEIGHT
LDP005D27M40DEU	4974550486897	Gift box (1pce)	50 mm x 50 mm x 60 mm	85 g
	14974550486894	Carton (10pcs)	265 mm x 110 mm x 68 mm	894 g
	24974550486891	Carton (40pcs)	575 mm x 282 mm x 160 mm	9,436 g
LDP005D27W40DEU	4974550486903	Gift box (1pce)	50 mm x 50 mm x 60 mm	85 g
	14974550486900	Carton (10pcs)	265 mm x 110 mm x 68 mm	894 g
	24974550486907	Carton (40pcs)	575 mm x 282 mm x 160 mm	9,436 g
LDP005D30M40DEU	4974550486910	Gift box (1pce)	50 mm x 50 mm x 60 mm	85 g
	14974550486917	Carton (10pcs)	265 mm x 110 mm x 68 mm	894 g
	24974550486914	Carton (40pcs)	575 mm x 282 mm x 160 mm	9,436 g
LDP005D30W40DEU	4974550486927	Gift box (1pce)	50 mm x 50 mm x 60 mm	85 g
	14974550486924	Carton (10pcs)	265 mm x 110 mm x 68 mm	894 g
	24974550486921	Carton (40pcs)	575 mm x 282 mm x 160 mm	9,436 g
LDP005D40M40DEU	4974550486934	Gift box (1pce)	50 mm x 50 mm x 60 mm	85 g
	14974550486931	Carton (10pcs)	265 mm x 110 mm x 68 mm	894 g
	24974550486938	Carton (40pcs)	575 mm x 282 mm x 160 mm	9,436 g
LDP005D40W40DEU	4974550486941	Gift box (1pce)	50 mm x 50 mm x 60 mm	85 g
	14974550486948	Carton (10pcs)	265 mm x 110 mm x 68 mm	894 g
	24974550486945	Carton (40pcs)	575 mm x 282 mm x 160 mm	9,436 g

PRODUCT CODE / 8W	EAN/ITF CODE	PACKAGING TYPE	SIZE OF PACKAGING	GROSS WEIGHT
LDP006D27M40DEU	4974550486958	Gift box (1pce)	50 mm x 50 mm x 60 mm	85 g
	14974550486955	Carton (10pcs)	265 mm x 110 mm x 68 mm	894 g
	24974550486952	Carton (40pcs)	575 mm x 282 mm x 160 mm	9,436 g
LDP006D27W40DEU	4974550486965	Gift box (1pce)	50 mm x 50 mm x 60 mm	85 g
	14974550486962	Carton (10pcs)	265 mm x 110 mm x 68 mm	894 g
	24974550486969	Carton (40pcs)	575 mm x 282 mm x 160 mm	4,020 g
LDP006D30M40DEU	4974550486972	Gift box (1pce)	50 mm x 50 mm x 60 mm	85 g
	14974550486979	Carton (10pcs)	265 mm x 110 mm x 68 mm	894 g
	24974550486976	Carton (40pcs)	575 mm x 282 mm x 160 mm	4,020 g
LDP006D30W40DEU	4974550486989	Gift box (1pce)	50 mm x 50 mm x 60 mm	85 g
	14974550486986	Carton (10pcs)	265 mm x 110 mm x 68 mm	894 g
	24974550486983	Carton (40pcs)	575 mm x 282 mm x 160 mm	4,020 g
LDP006D40M40DEU	4974550486996	Gift box (1pce)	50 mm x 50 mm x 60 mm	85 g
	14974550486993	Carton (10pcs)	265 mm x 110 mm x 68 mm	894 g
	24974550486990	Carton (40pcs)	575 mm x 282 mm x 160 mm	4,020 g
LDP006D40W40DEU	4974550487009	Gift box (1pce)	50 mm x 50 mm x 60 mm	85 g
	14974550487006	Carton (10pcs)	265 mm x 110 mm x 68 mm	894 g
	24974550487003	Carton (40pcs)	575 mm x 282 mm x 160 mm	4,020 g



## Handling and safety information

- + Do not cover the lamp with paper, cloth or other easily flammable materials
- + Do not expose the lamp to water or high humidity
- + Avoid additional mechanical stress on the lamp
- + Do not touch the lamp during or shortly after usage. Risk of burn!
- + Use only with recommended drivers
- + Ambient temperature range: -20 °C to +40 °C
- + Do not look directly into the lamp
- + Do not spray pesticide on this lamp
- + Please ensure the mains power is disconnected before undertaking any work on the luminaire or lamp

[www.hs-technics.ch](http://www.hs-technics.ch)



[www.toshiba.eu/lighting](http://www.toshiba.eu/lighting)