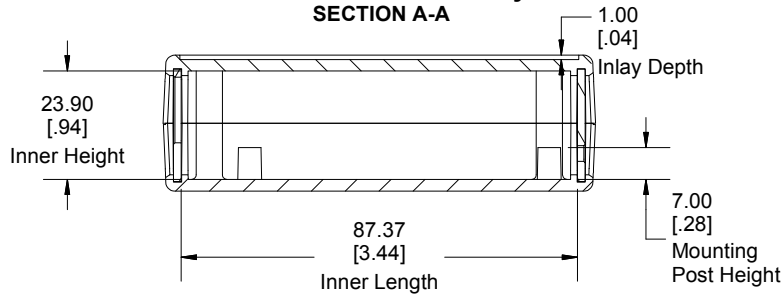
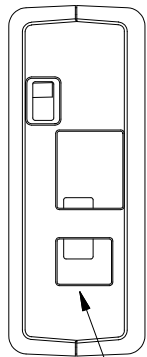


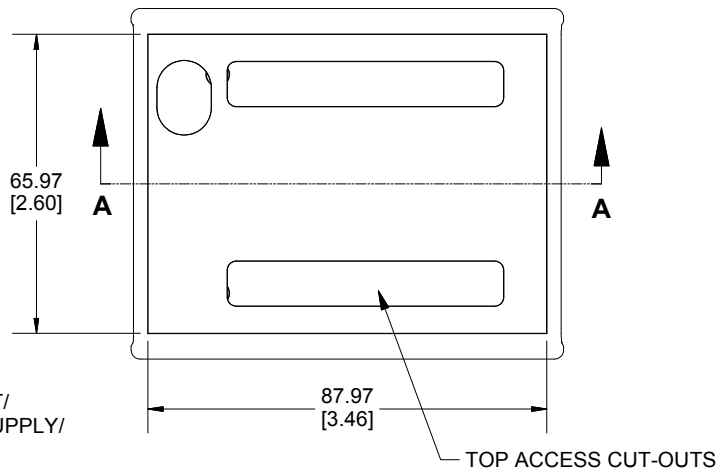
**Side View of Assembly  
SECTION A-A**



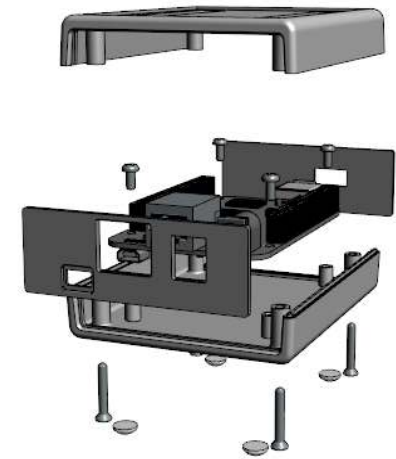
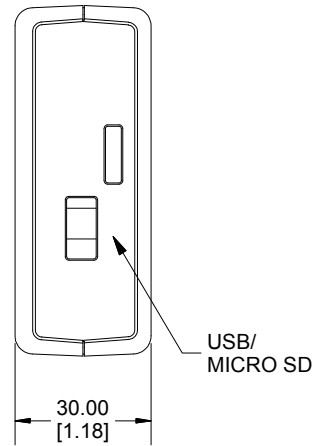
**End View of Assembly**



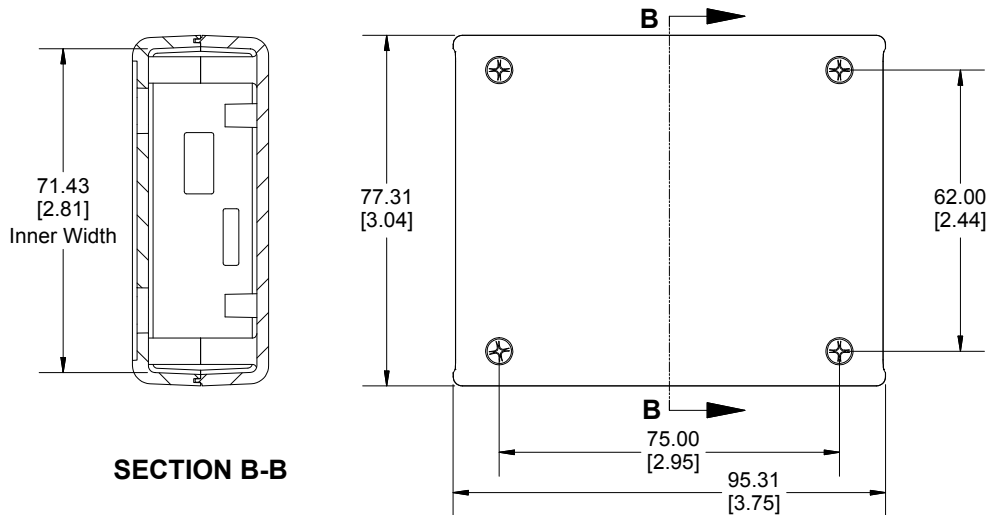
**Top View of Assembly**



**End View of Assembly**



**Bottom View of Assembly**



**NOTE**  
Purchased assembly includes top and bottom cover, front and rear end panels, 4 cover screws, 4 PCB screws and 4 clear rubber feet. (P.C. Board not included)  
Enclosure molded from ABS Plastic.

PART NUMBERS	
1593HAMDOG Enclosure	
Black Enclosure	1593HAMDOGBK
Grey Enclosure	1593HAMDOGGY
Translucent Blue Enclosure	1593HAMDOGTBU

**HAMMOND  
MANUFACTURING™**

**1593HAMDOG**

www.hammondmfg.com

Dimensions:  
mm  
[inches]