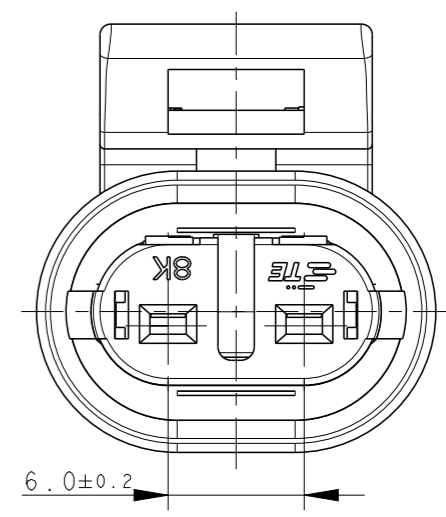
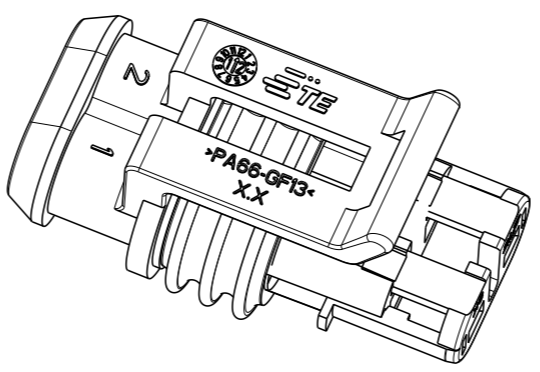
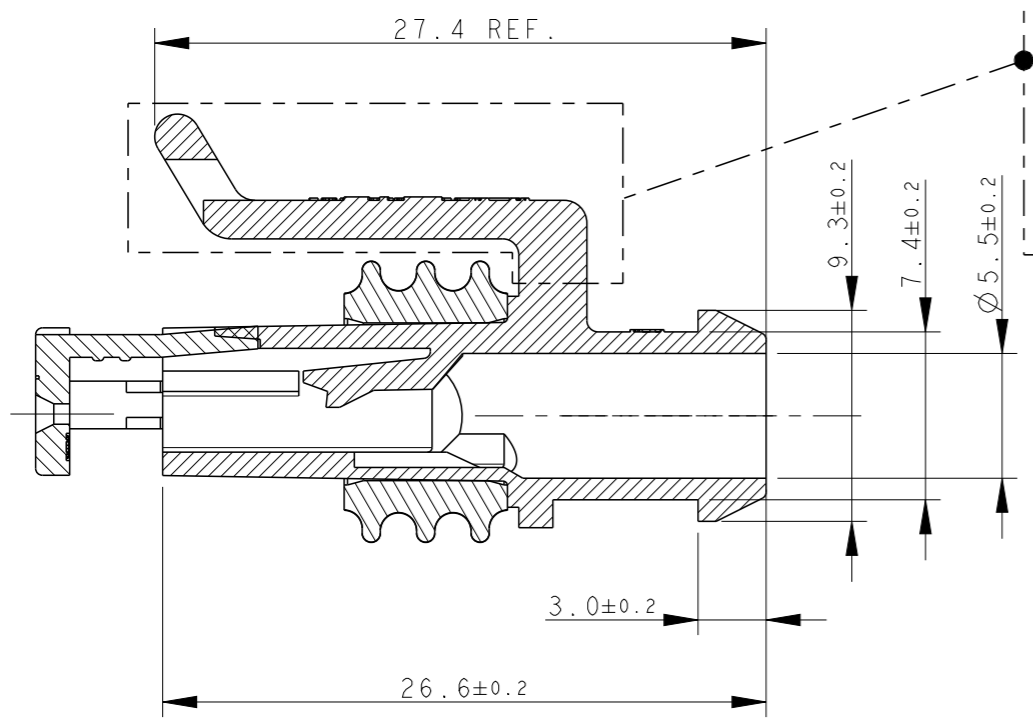
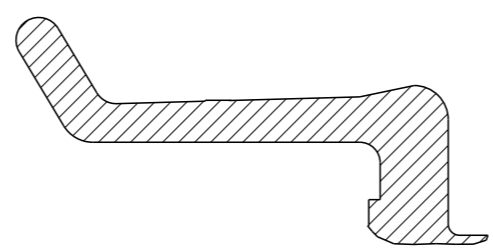


THIS DRAWING IS UNPUBLISHED. RELEASED FOR PUBLICATION 2011  
 © COPYRIGHT 2011 ALL RIGHTS RESERVED.

REVISIONS

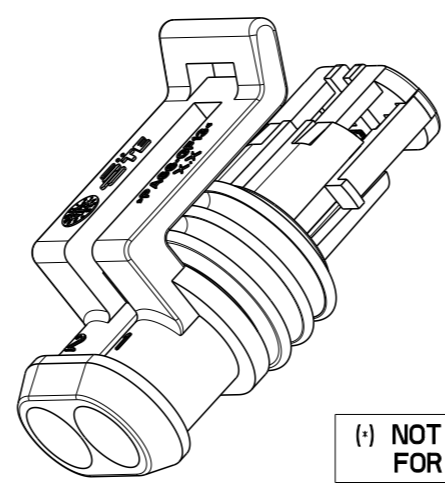
P	LTR	DESCRIPTION	DATE	DWN	APVD
D2		ADDED FSL SEAL VERSION (ECO-15-016364)	13NOV2015	M.G.	M.G.
D3		REVISED PER ECO-17-001706	10FEB2017	C.A.	M.G.
D4		REVISED PER ECO-19-017338	15NOV2019	AP	VN
D5		REVISED PER ECO-20-009351	03JUL2020	AP	VN

ALTERNATIVE DESIGN OF LOCKING LANCE

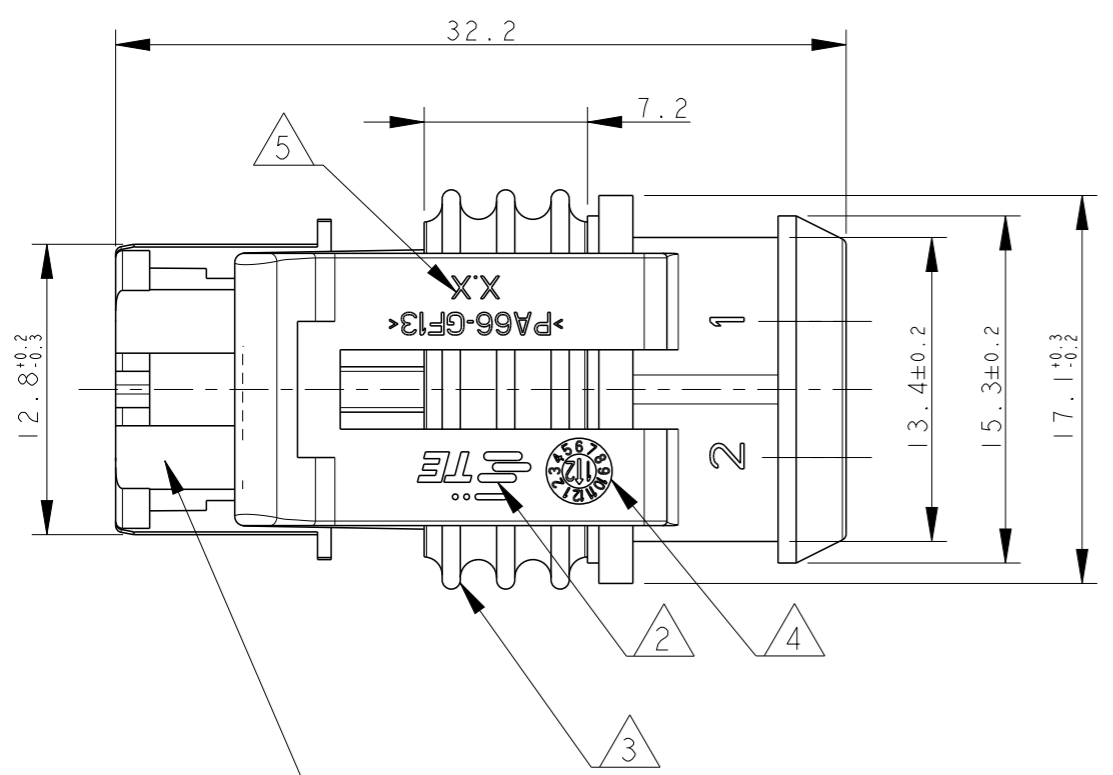


1) FOR COUNTERPART DETAILS, SEE SHEET 2 OF 2

- 2) TE CONNECTIVITY TRADE MARK, (IN ALTERNATIVE: "AMP" LOGO, OR "E" LOGO, OR "Tyco Electronics" LOGO)
- 3) SEALING (COLOUR YELLOW FOR LSR VERSION) (COLOUR WHITE FOR FSL VERSION)
- 4) DATECODE (OPTIONAL IN OLD MOULDS).
- 5) MOULD/MOULD CAVITY NUMBER



(\*) NOT YET RELEASED FOR PRODUCTION



PRE-ASSEMBLED SECONDARY LOCK (COLOUR RED/WHITE)

FINISH/COLOR	MATERIAL	PART NUMBER
HSG-WHITE, SL-WHITE	ACC. TO IEC 60335-1 HSG+SL: PA66GF20 UL94-V2 SEALING: LSR	1745096-1
HSG-BLACK, SL-RED	HOUSING+SEC. LOCK: PA66-GF SEALING: FSL	1-282080-1 (*)
HSG-BROWN, SL-RED	HOUSING+SEC. LOCK: PA66-GF SEALING: LSR	282080-4
HSG-GREEN, SL-RED		282080-3
HSG-GRAY, SL-RED		282080-2
HSG-BLACK, SL-RED		282080-1

THIS DRAWING IS A CONTROLLED DOCUMENT.

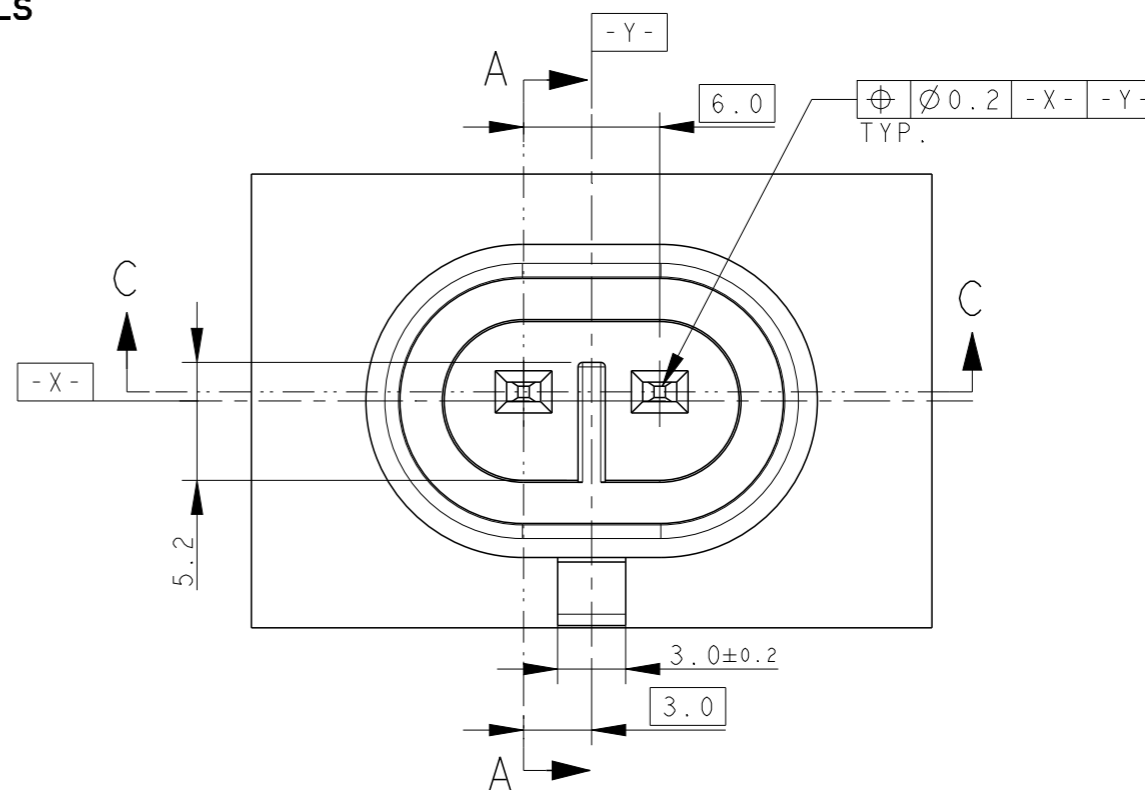
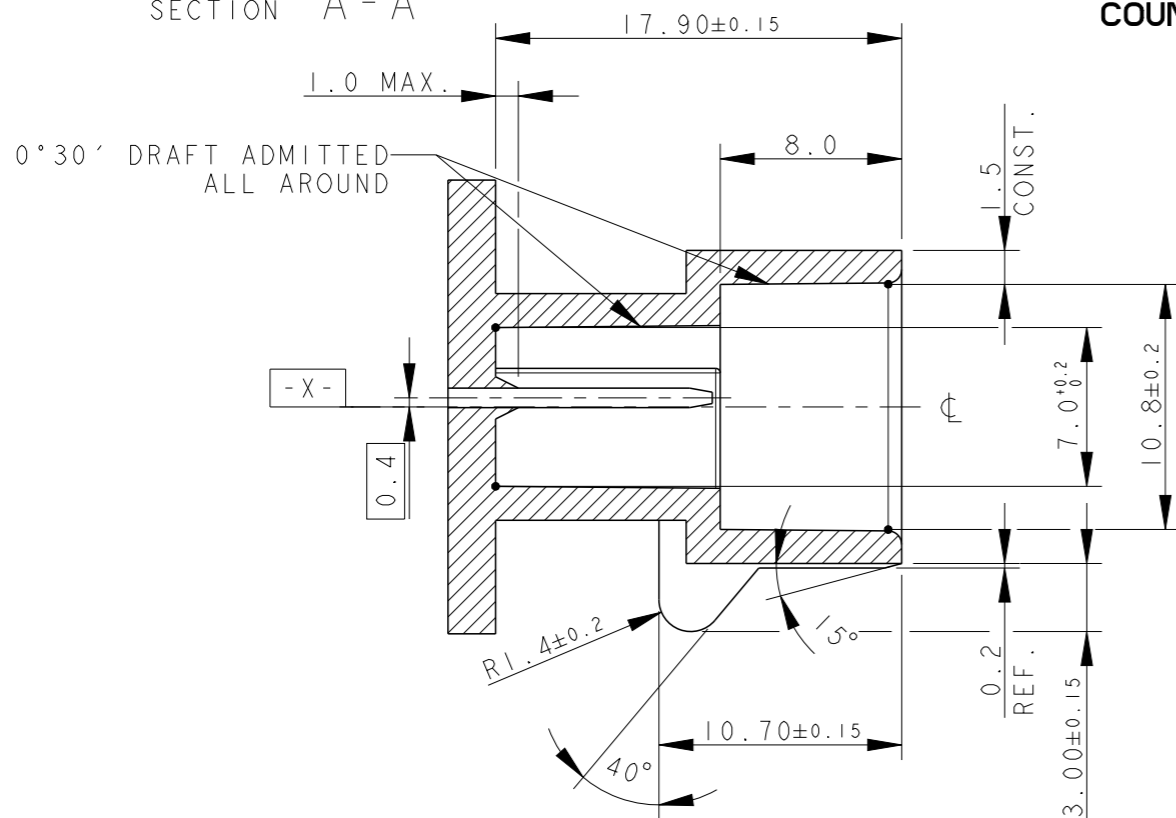
DWN C. BERTINI 05-1992	NAME -	TE Connectivity
CHK A. BRUNI 05-1992		
APVD -	PRODUCT SPEC 108-20090	AMP SUPERSEAL 1.5 SRS. 2 POSITIONS PLUG ASS'Y
MATERIAL -	FINISH -	
DIMENSIONS: mm	TOLERANCES UNLESS OTHERWISE SPECIFIED:	SIZE A3
	0 PLC ± 1 PLC ±0.3 2 PLC ± 3 PLC ± 4 PLC ± ANGLES ±2°	CAGE CODE 00779
MATERIAL SEE TABLE	FINISH SEE TABLE	DRAWING NO C-282080
		RESTRICTED TO -
	Customer Drawing	SCALE 3:1
		SHEET 1 OF 2
		REV D5

REVISIONS

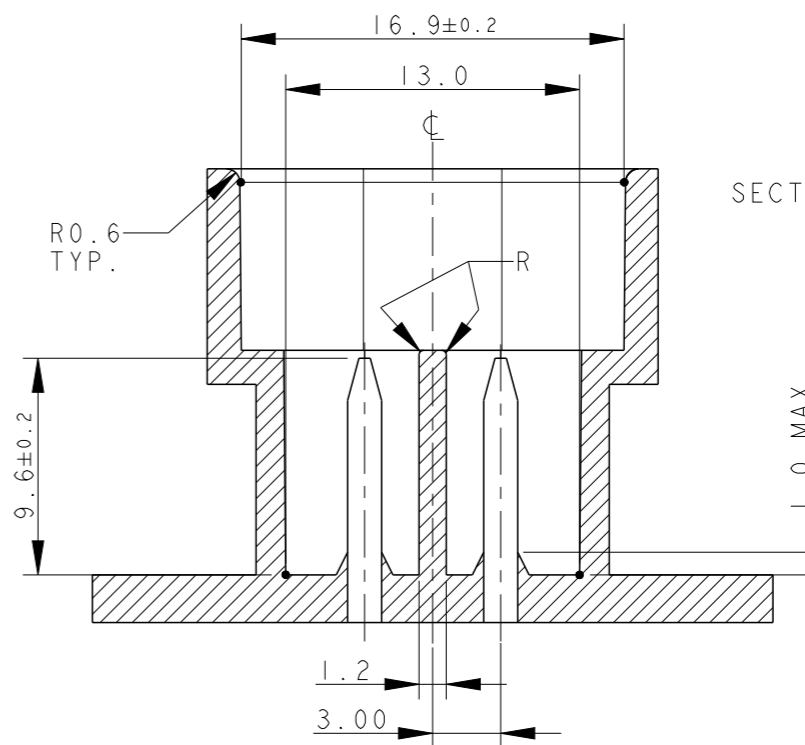
P	LTR	DESCRIPTION	DATE	DWN	APVD
-	-	SEE SHEET 1	-	-	-

SECTION A - A

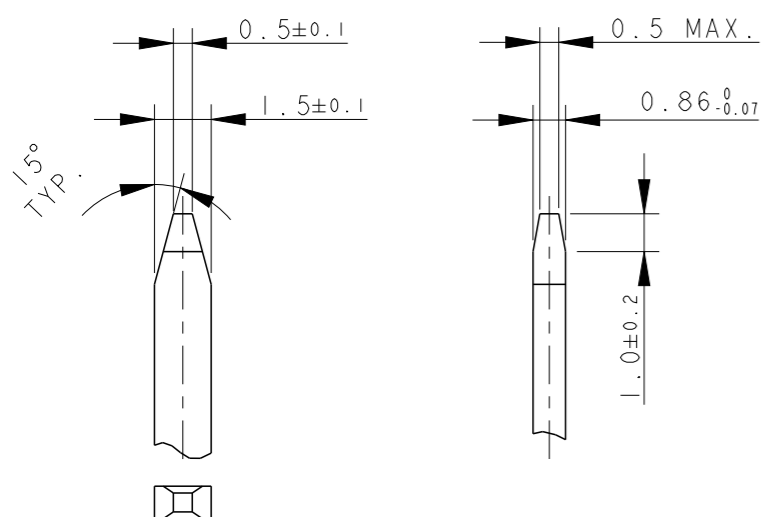
COUNTERPART DETAILS



SECTION C - C



TAB DETAILS



MATERIALS: PA66-GF FOR HOUSING  
 TIN PLATED BRASS FOR TABS  
 FOR PN 1745096-1; COUNTER PART MATL  
 PA66-GF ACC TO IEC60335-1  
 PRODUCT SPEC: 108-20090-2

THIS DRAWING IS A CONTROLLED DOCUMENT.

DWN C. BERTINI 05-1992

CHK A. BRUNI 05-1992

APVD -

NAME



DIMENSIONS:

mm

TOLERANCES UNLESS OTHERWISE SPECIFIED:

- 0 PLC ±0.3
- 1 PLC ±0.1
- 2 PLC ±0.05
- 3 PLC ±
- 4 PLC ±
- ANGLES ±2°



MATERIAL



FINISH



PRODUCT SPEC

108-20090

APPLICATION SPEC

412-20000

WEIGHT

2.60gr

AMP SUPERSEAL 1.5 SRS.  
2 POSITIONS PLUG ASS'Y

SIZE

CAGE CODE

DRAWING NO

RESTRICTED TO

A300779

C-282080

Customer Drawing

SCALE

5:1

SHEET

2 OF 2

REV

D5