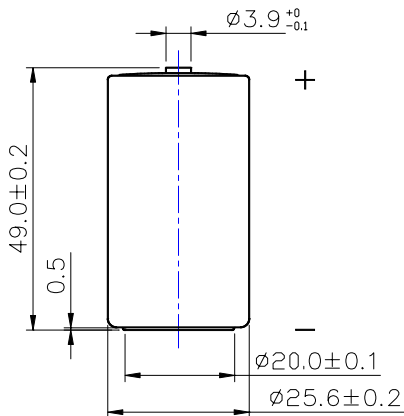


SPECIFICATIONS

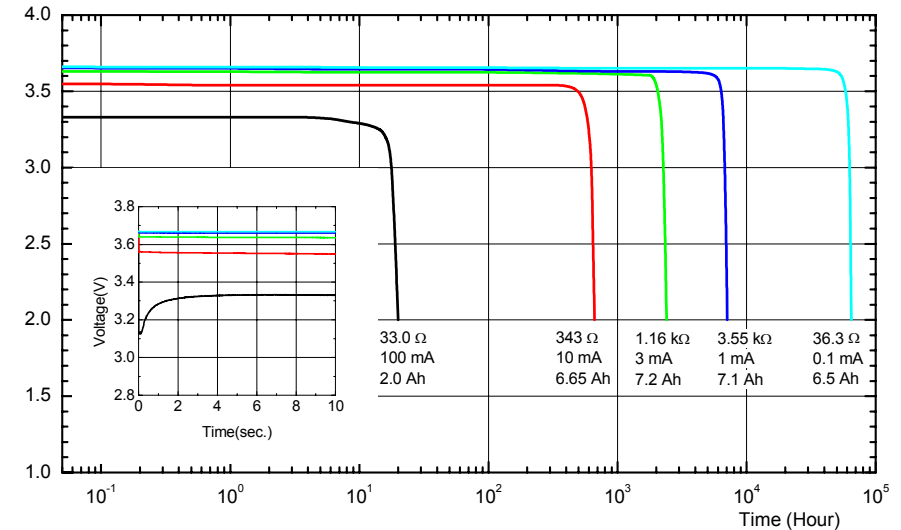
(Typical values for batteries stored at 20°C for one year)

Nominal Capacity (At 3mA/20°C/68°F/2.0V Cut-Off)	7.2 Ah
Open Circuit Voltage (At 20°C/68°F)	3.67 V
Nominal Voltage (At 3mA/20°C/68°F)	3.6 V
Maximum Continuous Current	230 mA
Maximum Pulse Current Capability	400 mA
Rated 1 Sec. Pulse Capability (To 3V)	60 mA
Operating Temperature Range	-55 ~ 85 °C
Weight	50.5 g (1.78 oz)
Anode Surface Area	30 cm²
Volume	26 cm³
Diameter (Max)	26.2 mm
Height (Max)	50 mm

DIMENSIONS IN MM



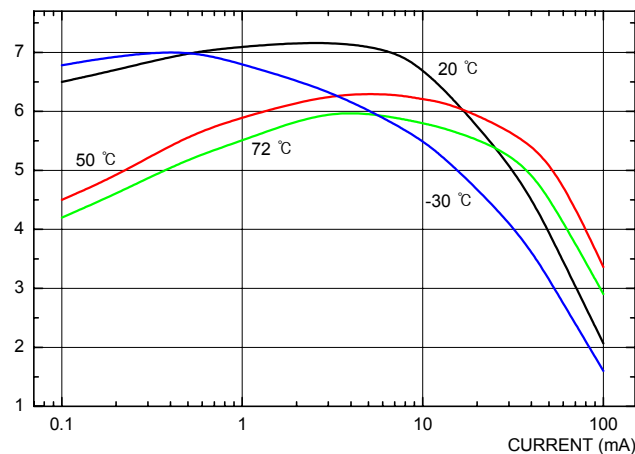
DISCHARGE CHARACTERISTICS AT +20°C



WARNING

Fire, Explosion And Severe Burn Hazard.
Do Not Recharge, Crush, Disassemble,
Heat Above 212°F(100°C), Incinerate
Or Expose Contents To Water

CAPACITY vs. CURRENT



OPERATING VOLTAGE

