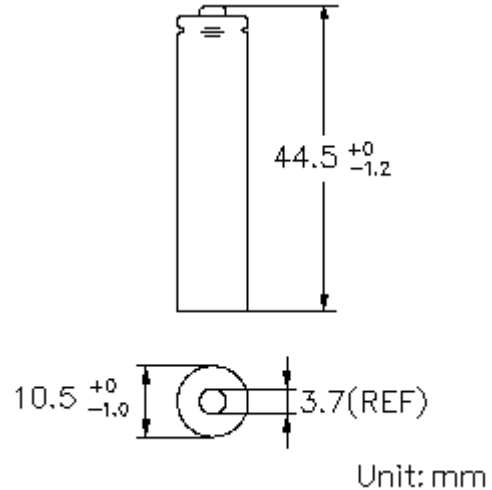
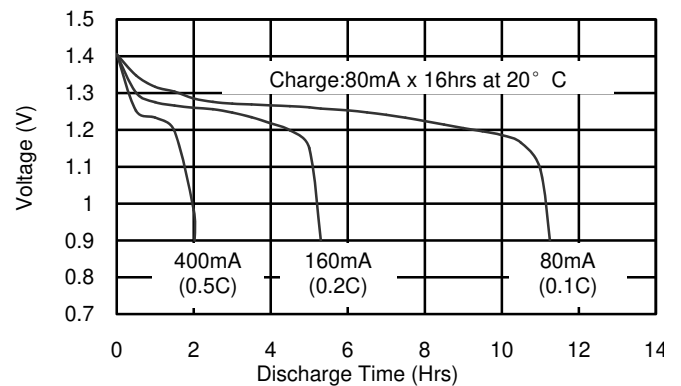


Type	: Rechargeable Nickel Metal Hydride Cylindrical Cell
Nominal Dimension (with Sleeve)	: $\Phi = 10.5\text{mm}$ H = 44.5mm
Applications	: Recommended discharge current 80 to 2400 mA
Nominal Voltage	: 1.2V
Capacity	: Rated: 800mAh Typical: 820mAh When discharged at 160mA to 1.0V at 20°C
Charging Condition	: 80mA for 16 hrs at 20°C
Charging Retention	: 70% of rated capacity after cell storage at 20°C for 5 years When discharged at 160mA to 1.0V at 20°C
Fast Charge	: 400mA to 800mA (0.5 to 1C) charge termination control recommended control parameters: - ΔV : 0-5mV DT/dt : 0.8°C/min (0.5 to 0.9C) 0.8 - 1°C/min (1C) TCO : 45 - 50°C Timer : 105% nominal input (for ref. only)
Service Life	: > 1500 cycles (IEC standard)
Continuous Overcharge	: 80mA maximum current for 1 year. No conspicuous deformation and/or leakage
Weight	: 14.0g
Internal Resistance	: Average 40m Ω upon fully charged (Max.60m Ω) at 1000Hz
Max. Charging Voltage	: 1.5V at 80mA charging
Ambient Temperature Range	: Standard Charge : 0 to 45°C Fast Charging : 10 to 45°C Discharge : -20 to 50°C Storage : -20 to 35°C

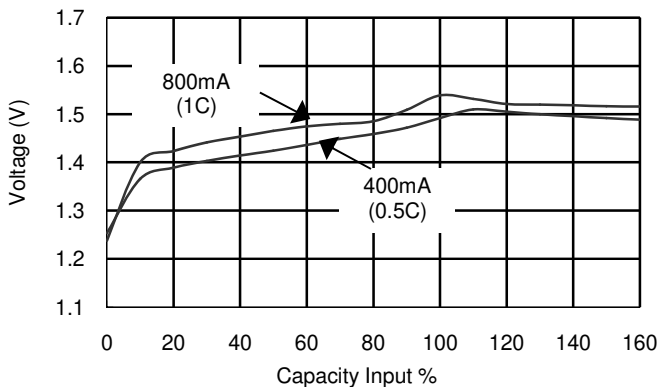
Model No.: GP85AAAHCBP



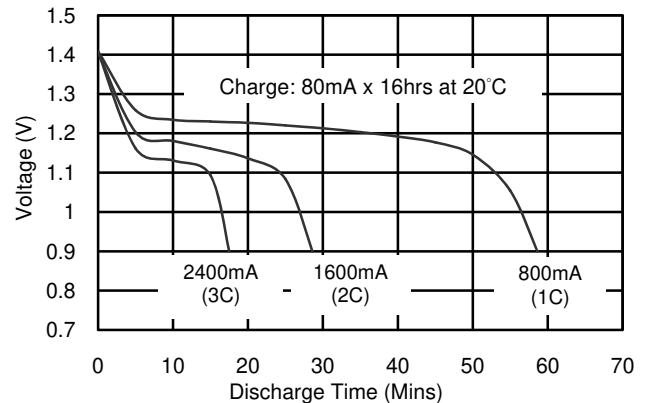
Low Rate Discharge



Fast Charge (Charge Control Required)



High Rate Discharge



The information (subject to change without prior notice) contained in this document is for reference only and should not be used as a basis for product guarantee or warranty. For applications other than those described here, please consult your nearest GP Sales and Marketing Office or Distributors.