



E-CORE LED LIGHT ENGINE

The unusual LED LIGHT ENGINE from Toshiba offers creative users unlimited opportunities for a large number of lighting solutions. Depending on the application, you have a choice between different beam angles and luminous fluxes. The LIGHT ENGINE is easy and safe to assemble; it can be dimmed with a trailing edge dimmer.

Application:

- ⊕ For fixture design

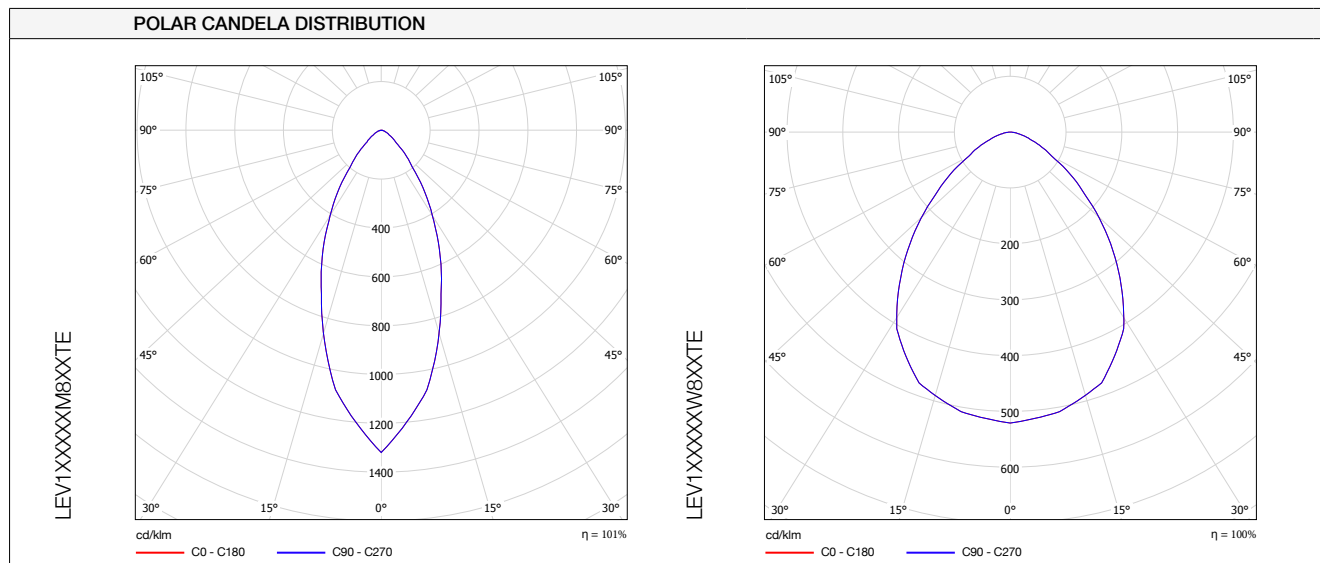
Product details

- + Low energy and high efficacy
 - + Compact form
 - + Instant illumination
- + Low heat radiation – low UV/IR
 - + Ideal for a wide range of applications

Optical parameters

MODEL NAME	E-CORE LED LIGHT ENGINE			
Product code	LEV112320M827TE	LEV112320W827TE	LEV162324M827TE	LEV162324W827TE
Luminous flux (lm)	1,050	1,050	1,400	1,400
Useful output (lm)	890	730	1,190	965
Colour description	Warm white	Warm white	Warm white	Warm white
Colour temperature (K)	2700	2700	2700	2700
Colour rendering index (Ra)	>80	>80	>80	>80
Beam angle	45°	85°	45°	85°
Lamp efficacy (lm/W)	52.5	52.5	58.3	58.3
Product code	LEV112320M830TE	LEV112320W830TE	LEV162324M830TE	LEV162324W830TE
Luminous flux (lm)	1,100	1,100	1,400	1,400
Useful output (lm)	930	765	1,315	1,070
Colour description	Warm white	Warm white	Warm white	Warm white
Colour temperature (K)	3000	3000	3000	3000
Colour rendering index (Ra)	>80	>80	>80	>80
Beam angle	45°	85°	45°	85°
Lamp efficacy (lm/W)	55	55	64.6	64.6
Product code	LEV112318M840TE	LEV112318W840TE	LEV162323M840TE	LEV162323W840TE
Luminous flux (lm)	1,100	1,100	1,600	1,600
Useful output (lm)	930	765	1,315	1,070
Colour description	Neutral white	Neutral white	Neutral white	Neutral white
Colour temperature (K)	4000	4000	4000	4000
Colour rendering index (Ra)	>80	>80	>80	>80
Beam angle	45°	85°	45°	85°
Lamp efficacy (lm/W)	61.1	61.1	69.6	69.6

Optical parameters



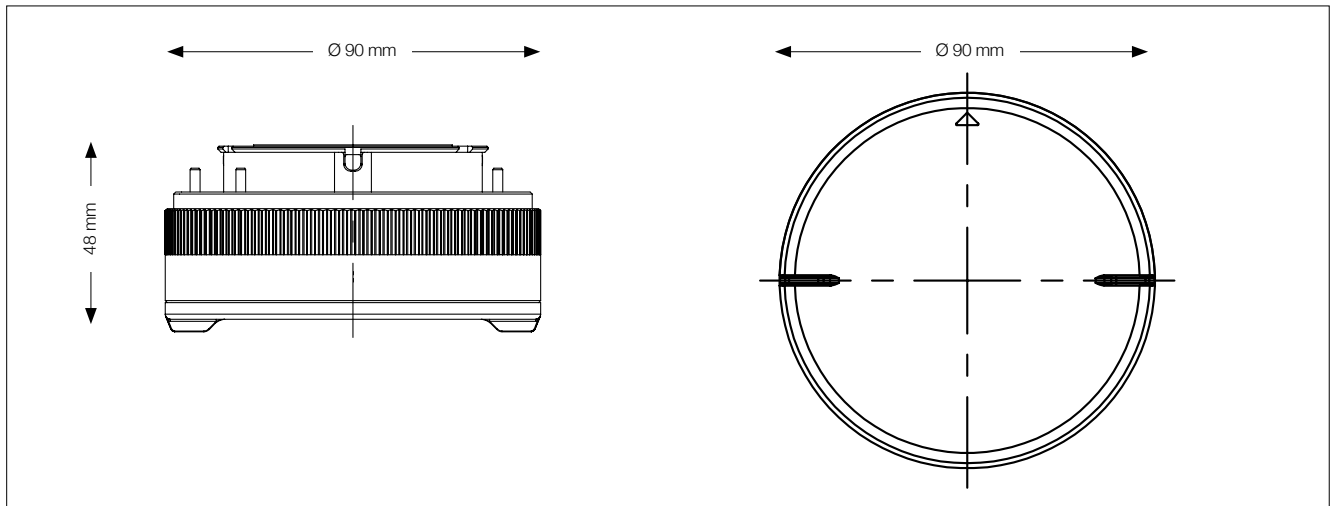
Electrical parameters

MODEL NAME	E-CORE LED LIGHT ENGINE			
Product code	LEV112320M827TE	LEV112320W827TE	LEV162324M827TE	LEV162324W827TE
Rated voltage (V)	220-240	220-240	220-240	220-240
Rated wattage (W)	20	20	24	24
Frequency (Hz)	50 / 60	50 / 60	50 / 60	50 / 60
Rated input current (mA)	94	94	147	147
Power factor	0.92	0.92	0.92	0.92
Rated lifetime (h)	40,000	40,000	40,000	40,000
Lumen Maintenance	70 % at the rated lamp lifetime			
Maximum Tcase temperature (°C)	65	65	75	75
Dimming	Yes (Trailing edge)	Yes (Trailing edge)	Yes (Trailing edge)	Yes (Trailing edge)
Product code	LEV112320M830TE	LEV112320W830TE	LEV162324M830TE	LEV162324W830TE
Rated voltage (V)	220-240	220-240	220-240	220-240
Rated wattage (W)	20	20	24	24
Frequency (Hz)	50 / 60	50 / 60	50 / 60	50 / 60
Rated input current (mA)	94	94	147	147
Power factor	0.92	0.92	0.92	0.92
Rated lifetime (h)	40,000	40,000	40,000	40,000
Lumen Maintenance	70 % at the rated lamp lifetime			
Maximum Tcase temperature (°C)	65	65	75	75
Dimming	Yes (Trailing edge)	Yes (Trailing edge)	Yes (Trailing edge)	Yes (Trailing edge)
Product code	LEV112318M840TE	LEV112318W840TE	LEV162323M840TE	LEV162323W840TE
Rated voltage (V)	220-240	220-240	220-240	220-240
Rated wattage (W)	18	18	23	23
Frequency (Hz)	50 / 60	50 / 60	50 / 60	50 / 60
Rated input current (mA)	85	85	140	140
Power factor	0.92	0.92	0.92	0.92
Rated lifetime (h)	40,000	40,000	40,000	40,000
Lumen Maintenance	70 % at the rated lamp lifetime			
Maximum Tcase temperature (°C)	65	65	75	75
Dimming	Yes (Trailing edge)	Yes (Trailing edge)	Yes (Trailing edge)	Yes (Trailing edge)

Mechanical parameters

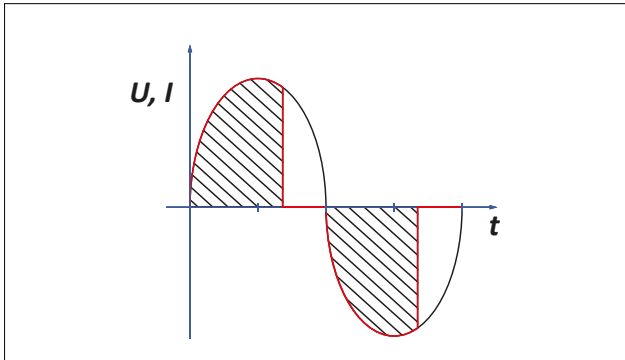
MODEL NAME	E-CORE LED LIGHT ENGINE			
Product code	LEV112320M827TE	LEV112320W827TE	LEV162324M827TE	LEV162324W827TE
Finishing	White / Frost	White / Frost	White / Frost	White / Frost
Overall length (mm)	42	42	42	42
Diameter (mm)	90	90	90	90
Net weight (g)	165	165	175	175
Base	GH76p-2	GH76p-2	GH76p-2	GH76p-2
Product code	LEV112320M830TE	LEV112320W830TE	LEV162324M830TE	LEV162324W830TE
Finishing	White / Frost	White / Frost	White / Frost	White / Frost
Overall length (mm)	42	42	42	42
Diameter (mm)	90	90	90	90
Net weight (g)	165	165	175	175
Base	GH76p-2	GH76p-2	GH76p-2	GH76p-2
Product code	LEV112318M840TE	LEV112318W840TE	LEV162323M840TE	LEV162323W840TE
Finishing	White / Frost	White / Frost	White / Frost	White / Frost
Overall length (mm)	42	42	42	42
Diameter (mm)	90	90	90	90
Net weight (g)	165	165	175	175
Base	GH76p-2	GH76p-2	GH76p-2	GH76p-2

Drawings



Dimmability

The LED-Lamps can be dimmed in a range of 10%-100% by Trailing-edge dimmers. A general compatibility to all dimmers can't be granted. A list of recommended dimmers can be found on our website www.toshiba.eu/lighting.



Logistic data

PRODUCT CODE	EAN CODE	DESCRIPTION	SIZE OF PACKAGING (mm) L x H x W	GROSS WEIGHT (g)
LEV112320M827TE	4974550425636	LED LIGHT ENGINE / 1,050 lm / 2700 K	102 x 102 x 51	155
LEV112320W827TE	4974550425629	LED LIGHT ENGINE / 1,050 lm / 2700 K	102 x 102 x 51	155
LEV112320M830TE	4974550425650	LED LIGHT ENGINE / 1,100 lm / 3000 K	102 x 102 x 51	155
LEV112320W830TE	4974550425643	LED LIGHT ENGINE / 1,100 lm / 3000 K	102 x 102 x 51	155
LEV112318M840TE	4974550425674	LED LIGHT ENGINE / 1,100 lm / 4000 K	102 x 102 x 51	155
LEV112318W840TE	4974550425667	LED LIGHT ENGINE / 1,100 lm / 4000 K	102 x 102 x 51	155
LEV162324M827TE	4974550436632	LED LIGHT ENGINE / 1,400 lm / 2700 K	102 x 102 x 51	155
LEV162324W827TE	4974550436625	LED LIGHT ENGINE / 1,400 lm / 2700 K	102 x 102 x 51	155
LEV162324M830TE	4974550436618	LED LIGHT ENGINE / 1,400 lm / 3000 K	102 x 102 x 51	155
LEV162324W830TE	4974550436601	LED LIGHT ENGINE / 1,400 lm / 3000 K	102 x 102 x 51	155
LEV162323M840TE	4974550425612	LED LIGHT ENGINE / 1,600 lm / 4000 K	102 x 102 x 51	155
LEV162323W840TE	4974550425605	LED LIGHT ENGINE / 1,600 lm / 4000 K	102 x 102 x 51	155

Handling and safety information

- + Do not cover the lamp with paper, cloth or other easily flammable materials
- + Do not expose the lamp to water or high humidity
- + Avoid additional mechanical stress on the lamp
- + Do not touch the lamp during or shortly after usage. Risk of burn!
- + Use only with recommended dimmers
- + Ambient temperature range: 0 °C to + 65/75 °C
- + Do not look directly into the lamp
- + Do not spray pesticide on this lamp
- + Please ensure the mains power is disconnected before undertaking any work on the luminaire or lamp

www.toshiba.eu/lighting