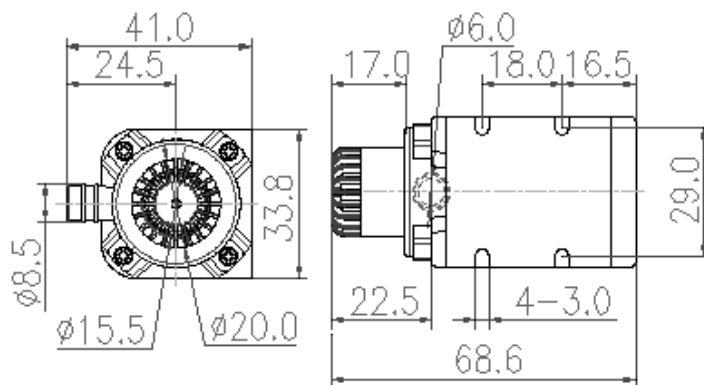


# Miniatur-Wasserpumpe WP-3202



⊙ Technical Parameter								
Working Voltage Range		DC: 6V-24V						
Rating Power		6V: 2-6W / 12V: 3-6W / 24V: 4-7W						
Static Water Head		1.0-2.5 M						
Static Flow Rate		2.0-3.5 L/min						
Lifespan		Continuous operation under normal surrounding > 20000Hr						
Working Environment		Liquid: From weak acid to weak base, work in water (Submerged)						
Max Noise		Under normal working status, 1M distance over test instrument <35dB						
Max Working Temperature		Under normal surroundings, fluid medium temperature $\leq 70^{\circ}\text{C}$						
Application		Solar water circulation system, small fountain, small aquarium, water bed/mattress, flower and plant watering, etc.						
Size			IP Grade	Inlet		Outlet		Remarks
Length (mm)	Width (mm)	Height (mm)		OD ( mm )	ID ( mm )	OD ( mm )	ID ( mm )	
41	34	69	IP68	$\phi 20$	$\phi 15.5$	$\phi 8.5$	$\phi 6$	Inlet with non-slip insert, outlet with filter

## ⊙ Characteristic Graph

