

Ultraschallsensor K-14WP10SA

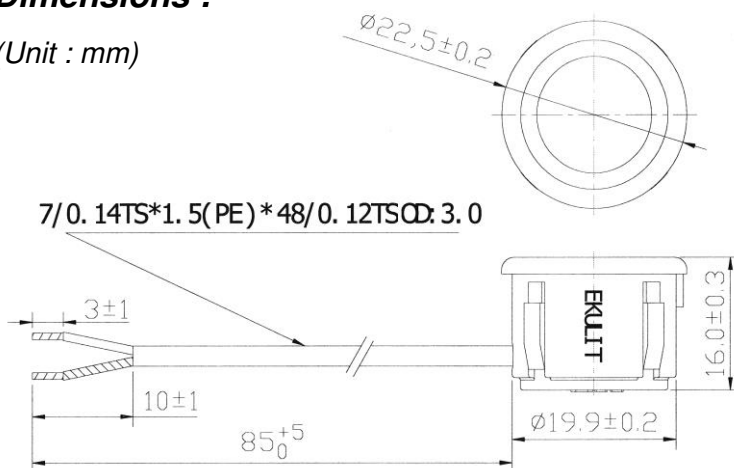
Art.-Nr.: 700681

Specification : Waterproof type ultrasonic sensor

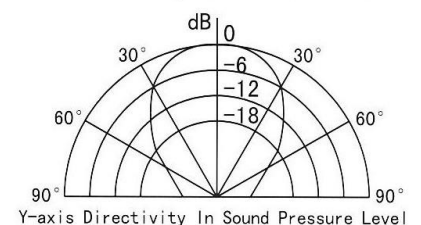
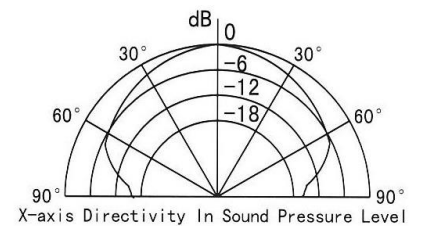
Item	Unit	Standard	Test condition: T=25±5°C
Function		Transmitting and receiving	
Terminal		Lead	
Housing Material		Aluminium	
Center frequency	KHz	40±1.0	
Transmitting S.P.L.	dB	>95	At 30cm/10Vrms Sine Wave 0dB=0.0002μ bar
Receiving Sensitive	dB	>-82	At 1V/μ bar
Directivity of X-axis	Deg	90±15	At "-6 dB" attenuation
Directivity of Y-axis	Deg	70±10	At "-6 dB" attenuation
Capacitance	PF	1800±15%	At 1KHz
Allowable Input Voltage (Vp-P)	V	140	At 40KHz Pulse width 0.4ms interval 10ms
Operating temperature	°C	-40~+80	
Storage temperature	°C	-40~+85	
Mean time to failure	hrs	50000	

Dimensions :

(Unit : mm)



Directivity :



Version 1 / 10/2021

Adresse: Felix-Wankel-Str. 35 • 73760 Ostfildern/Nellingen

Tel: +49-711/3414023

Fax: +49-711/3414024

E-mail: info@ekulit.de Web site: www.EKULIT.de