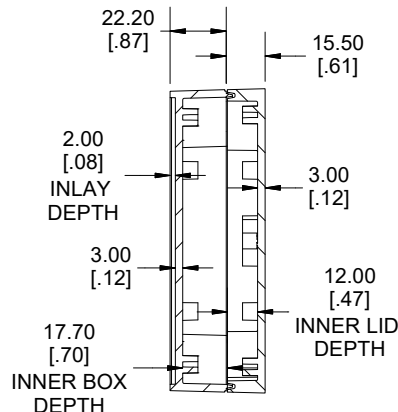
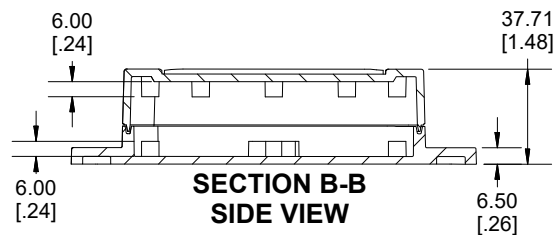
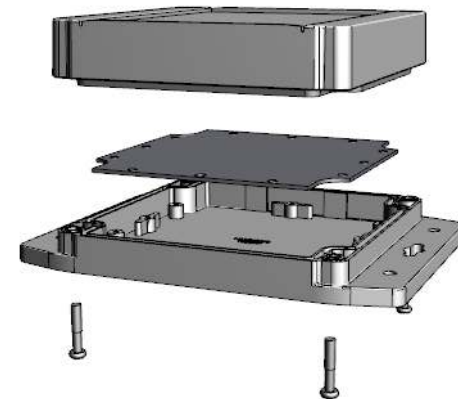


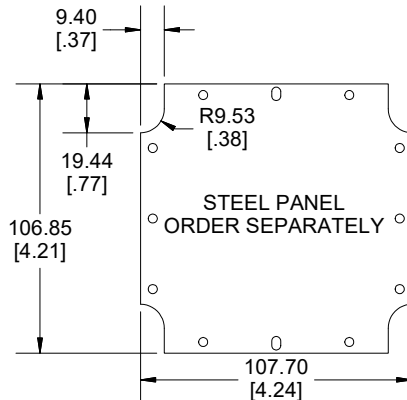
ENCLOSURE ASSEMBLY TOP VIEW



**SECTION A-A
END VIEW**



**SECTION B-B
SIDE VIEW**

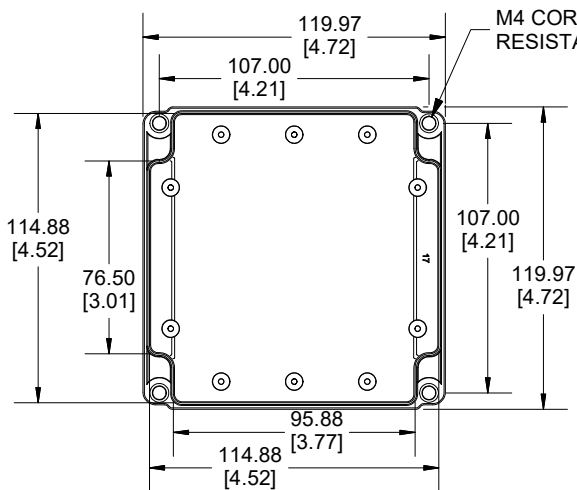


**STEEL PANEL
ORDER SEPARATELY**

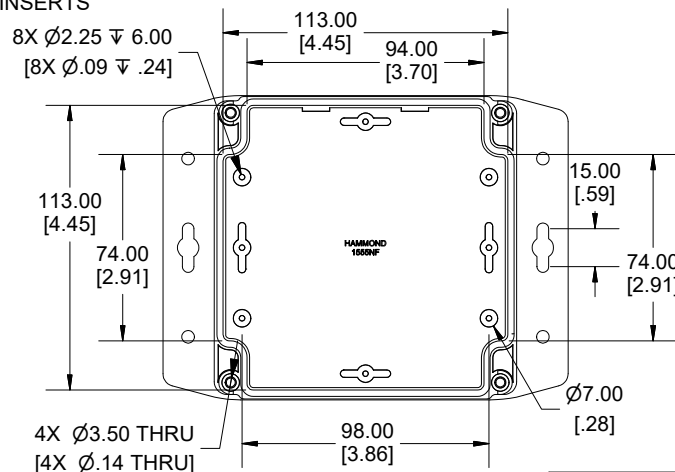


Enclosures can be Factory Modified (Milling, Drilling, Printing etc.)
Contact Factory (modshop@hammondmg.com) for quotes
Solid models of this enclosure available in .stp or .x_t
(Part number and text placement/orientation on our products are subject to change,
we do not recommend using them as a locating reference for modification purposes)

| NOTE | |
|---|--|
| Purchased assembly includes styled box, flanged lid, 4 cover screws, and preformed silicone gasket. | |
| General Purpose ABS version is not UL approved. (Matl UL94 - HB) | |
| Polycarbonate version is UL 508 approved. (Matl UL94 - 5VA @ 3mm) | |
| Recommended Cover screw torque -- 2.5 lbf-in (30 cN-m) | |



INSIDE BOX VIEW



INSIDE LID VIEW

Dimensions:
mm
[inches]

| 1555NF | |
|---|-------------|
| 1555NF Regular Enclosure | |
| General Purpose ABS RAL-7035 | 1555NF17GY |
| Polycarbonate RAL-7035 | 1555N2F17GY |
| ACCESSORIES | |
| Steel Inner Panels | 1555NFPL |
| Silicone Pre-formed Gasket Black | 1554NGASKET |
| Steel Panel / P.C. Board Self Tapping Screw [#4 X 1/4" (6.4mm) Plated] | 1555TS100 |
| Stainless Steel Cover Screws [M4-0.7 X 20mm] (Pkg 50) | SC576-50 |

**HAMMOND
MANUFACTURING**
1555NF17
www.hammondmg.com