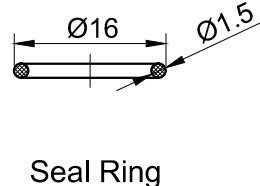
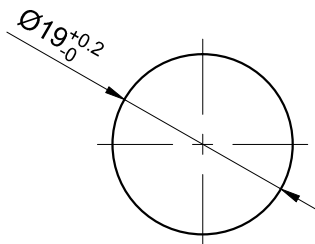
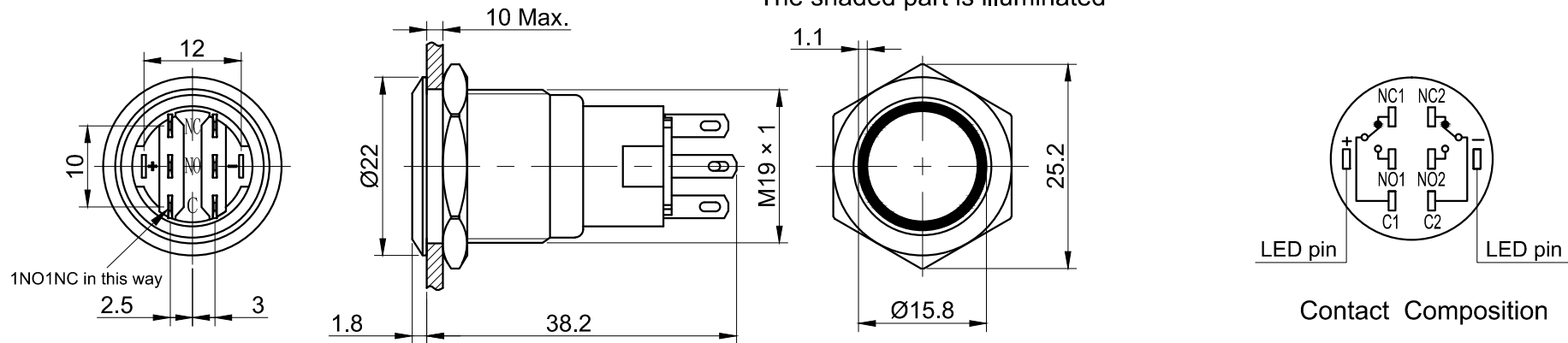


FOR 客户名称	APPROVED 客户确认签字	ATTN 销售负责人

The shaded part is illuminated



Part Number: LAS1-AGQ-□■E/△/▲/S

"□"	Contact structure
11	1NO 1NC
22	2NO 2NC

"■"	Operation mode
No Letter	Momentary
Z	Latching

"△"	Lamp Color
R	Red
G	Green
Y	Yellow
B	Blue
W	White

"▲"	Lamp voltage
6V	AC/DC 6V
12V	AC/DC 12V
24V	AC/DC 24V
110V	AC/DC 110V
220V	AC/DC 220V

Other voltage can be made to order

SPECIFICATIONS:

- 1.Switch Rating: AC250V/0.5A, DC110V/0.1A.
- 2.Mechanical Life: ≥1,000,000cycles.
- 3.Electrical Life: ≥50,000cycles.
- 4.Contact Resistance: ≤50mΩ.
- 5.Insulation Resistance: ≥1,000MΩ.
- 6.Dielectric Strength: 1,500V, RMS 50Hz , 1min.
- 7.Operating Temperature: -25℃~ +55℃(No Freezing).
- 8.Operating Force: About 1.5N(1NO1NC),About 3N(2NO2NC).
- 9.Operating Travel: About 3.1mm.
- 10.Torque: About 0.6Nm max.applied to nut.
- 11.Protection degree: IP65;IK09.
- 12.Terminal Type: Pin Terminal(2.8 x 0.5mm).

MATERIALS:

- 1.Contact: Silver alloy.
- 2.Button: Stainless Steel.
- 3.Body: Stainless Steel.
- 4.Base: PBT.

BRAND 品牌	ONPOW	红波按钮制造有限公司 ONPOW PUSH BUTTON MANUFACTURE CO.,LTD.	
USED 用途	APPD 审核	CH	2020/04/23
FINISH 处理	CHKD 校对	NCH	2020/04/23
SCALE 比例	1.2 / 1	UNIT 单位	mm
DR. 制图		ZPD	2020/04/23
TITLE 名称		GQ Series Anti-vandal push button	
DWG NO. 图号		LAS1-AGQ-E(旋转)	
FILE NAME 档案名称		SHEET 张	1 / 1
		REV. 更改	1