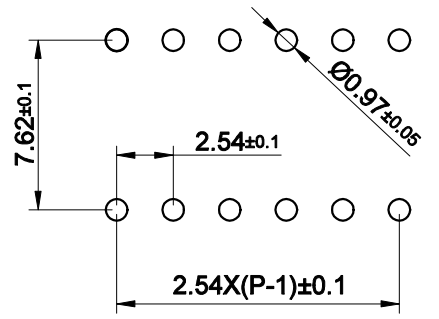
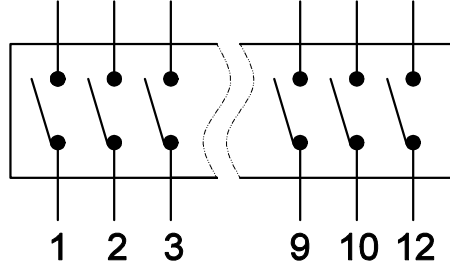
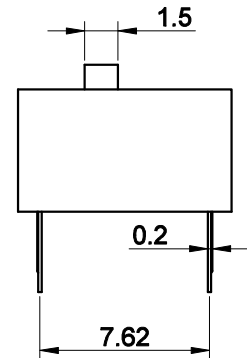
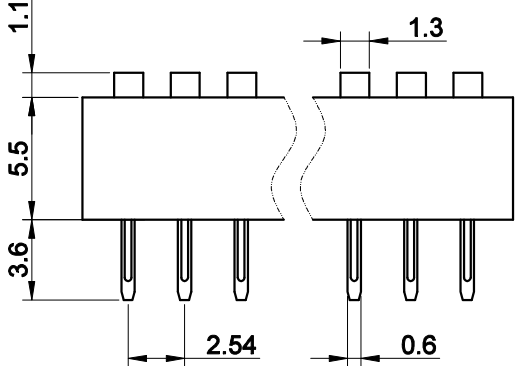


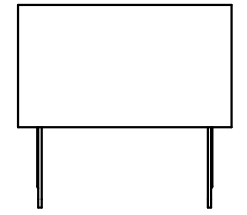
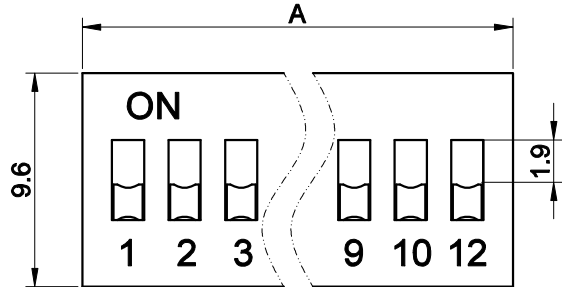
FOR 客户名称	APPROVED 客户确认签字	ATTN 销售负责人



Extend actuator(E)

Circuit

PCB Layout



Recessed actuator(R)

Number	DS★01	DS★02	DS★03	DS★04	DS★05	DS★06	DS★07	DS★08	DS★09	DS★10	DS★12
DIM A (mm)	3.54	6.64	9.18	11.72	14.26	16.8	19.34	21.88	24.42	26.96	32.04

Part Number: DS★-◇◆-△

"★"	Actuator	"◇"	Position	"◆"	Housing Color	"△"	Plating
E	Extend actuator	01~12	1To12	R	Red	GT	Semi Tin Gold
R	Recessed actuator	11 excluded		B	Blue	GA	Gold
				N	Black		

**SPECIFICATIONS:**

- 1.Current/voltage rating: 25mA at 24VDC.
- 2.Insulation Resistance: 100MΩ at 250VDC.
- 3.Contact resistance: 50mΩ Max.
- 4.Dielectric strength: 500VAC /1min.
- 5.Operating force: 10N Max.
- 6.Electrical Life: ≤2000.
- 7.Operating temperature: -20°C to 85°C (no ice).
- 8.Operating life: 10N Max.
- 9.Hand soldering: 260°C max. for 2 seconds max.(30 wattiron max.)

**MATERIALS:**

- 1.Cover: PBT.
- 2.Housing: PBT.
- 3.Actuator: PBT.
- 4.Terminals seal: epoxy resin.
- 5.Terminals: Brass, Gold over Nickel Plated.

Wave soldering: 320°C max. for 5 seconds max. keep switches at OFF.

<b>BRAND</b> 品牌 <b>ONPOW</b>	<b>红波按钮制造有限公司</b> ONPOW PUSH BUTTON MANUFACTURE CO.,LTD.	
	USED 用途 FINISH 处理 SCALE 比例	APPD 审核 CHKD 校对 DR. 制图
THESE DRAWINGS AND SPECIFICATIONS ARE THE PROPERTY OF ONPOW PUSH BUTTON MANUFACTURE CO.,LTD. AND SHALL NOT BE REPRODUCED COPIED OR USED IN ANY MANNER WITHOUT THE PRIOR WRITTEN CONSENT OF ONPOW PUSH BUTTON MANUFACTURE CO.,LTD.	2.8 : 1 单位 mm	TITLE 名称 DWG NO. 图号 FILE NAME 档案名称
DIMENSIONS 0.00 TO 18.00mm 18.01 TO 30.00mm 30.01 TO 50.00mm 50.01 TO 80.00mm	TOLERANCE ±0.43mm ±0.52mm ±0.62mm ±0.74mm	DIP Switch DS Series DS. dwg
		SHEET 张 1 / 1
		REV. 更改 1