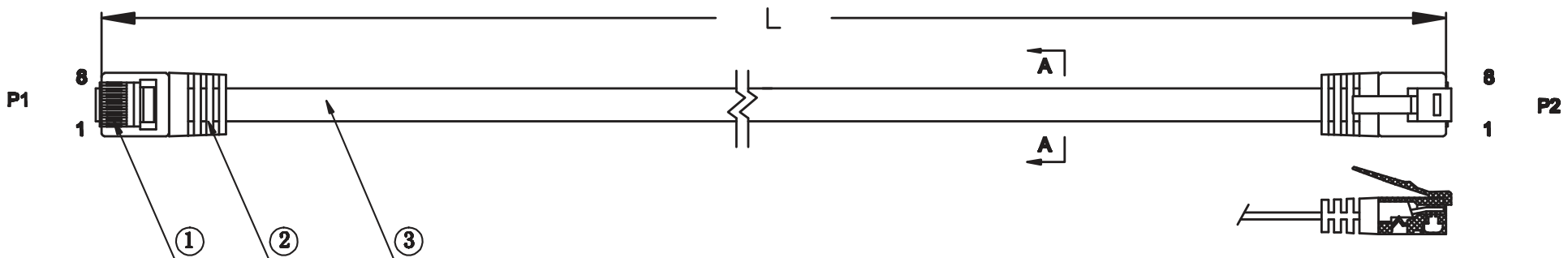
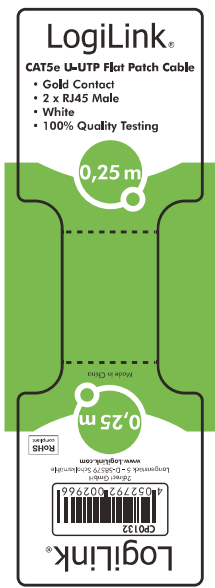


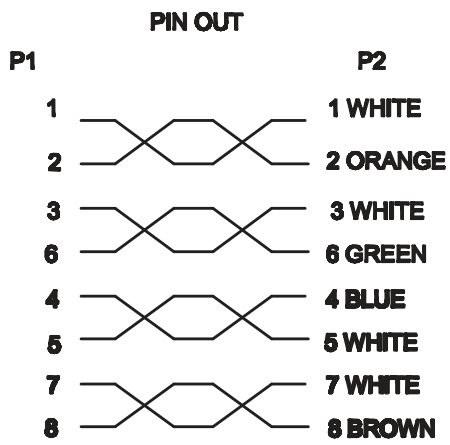
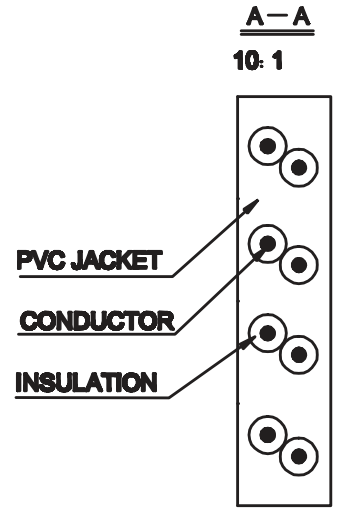
FILE AMEND NOTE	DATE	REV.
ORIGINAL EDITION	2012/05/24	A0



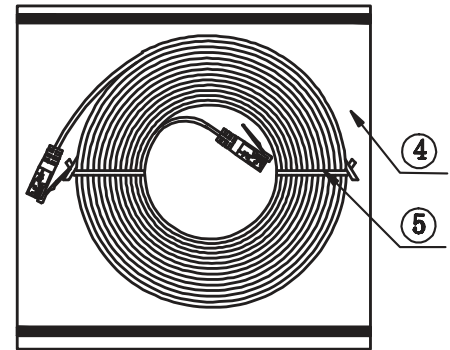
STICKER



NOTE:
Electrical test:
100% open short & miss wire test;



PACKING DRAW:



NO.	ITEM NO.	EAN CODE:	L
1	CP0132	4052792002966	0.25M
2	CP0133	4052792002973	0.5M
3	CP0134	4052792002980	1M
4	CP0135	4052792002997	2M
5	CP0136	4052792003000	3M
6	CP0137	4052792003017	6M
7	CP0138	4052792003024	7.5M
8	CP0139	4052792003031	10M
9	CP0140	4052792003048	15M
10	CP0141	4052792003055	20M

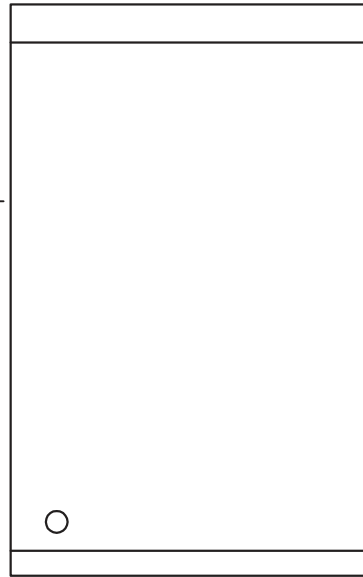
DRAW No.		NAME	CAT5e U-UTP Flat Patch Cable	
CUSTOMER	2direct GmbH		MAPE	TOLERANCE
CUSTOMER No.				X. ±1.00 X.X ±0.50
APPROVE BY	CHECK BY	DRAW BY	SCALE	MM
			PAGE	1/1

FILE AMEND NOTE	DATE	REV.
ORIGINAL EDITION	2012/05/23	A/0

PACKING DRAW#



1PCS/BAG



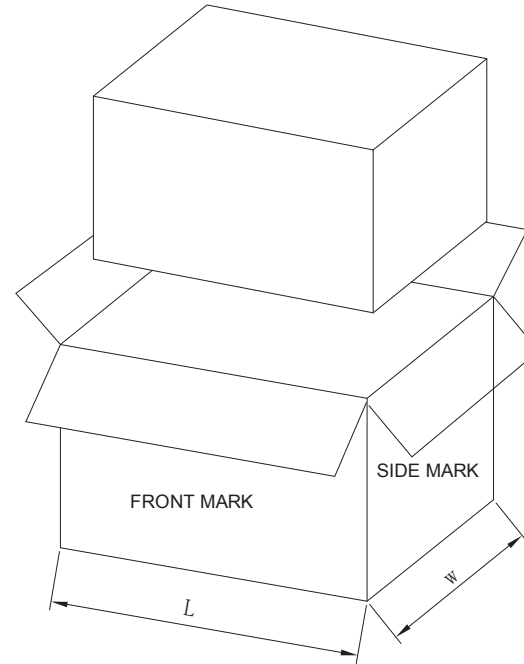
L \$ 10M
 10PCS/ BIG BAG
 L % 10M
 5PCS/ BIG BAG

NOTE:

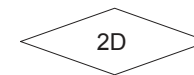
Electrical test#
 100% open short & miss wire test;

MATERIAL LIST#

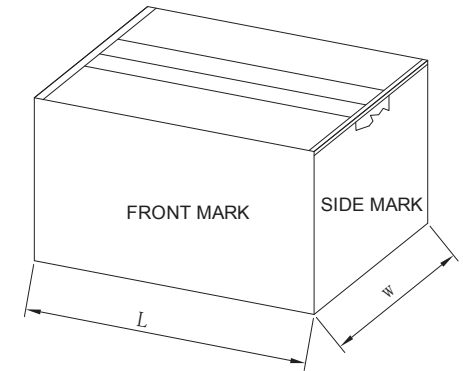
⑥	PRINTING	UTP CAT.5E PATCH CABLE		
⑤	MINI TIE		1	
④	POLY BAG	PE, COLOR: TRANSPARENT	1	
③	CABLE	FLAT UTP CAT.5 CABLE, 30AWG CCA*4PAIR+PVC, OD: 1.38*6.05!0.1mm, COLOR: WHITE	L	
②	MOLD HOOD	PVC, COLOR: WHITE	2	
①	CONNECTOR	CAT.5 RJ45 SHORT PLUG, UNSHIELD, 3U' GOLD PLATED PIN, COLOR: BLUE TRANSPARENT	2	
No.	PART NAME	DESCRIPTION	QTY	REMARK



OUTER CARTON FRONT MARK:



GERMANY
 C/NO.: 01,02...
 MADE IN CHINA



! " shaped packaging
 three packaging tape

OUTER CARTON SIDE MARK:

PO NO.:
 ITEM NO.:
 Q TY: PCS
 N.W: KGS
 G.W: KGS
 Dimension:
 EAN CODE:

DRAW No.	NAME	CAT5e U-UTP Flat Patch Cable		
CUSTOMER	2direct GmbH	MAPE	TOLERANCE	
CUSTOMER No.			X. 1.00	X.X 0.50
APPROVE BY	CHECK BY	DRAW BY	SCALE	MM
			PAGE	1/1