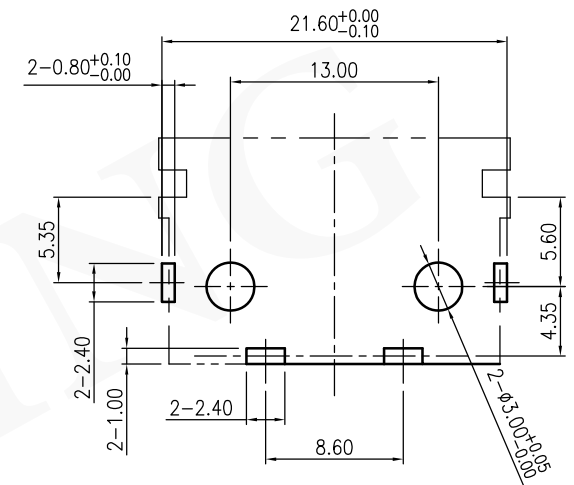
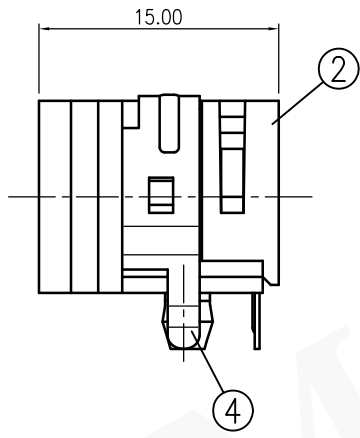
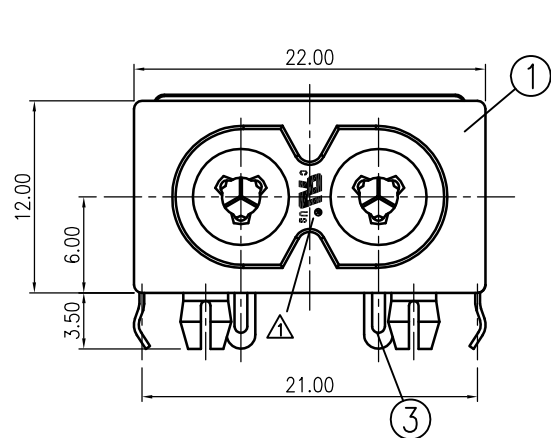
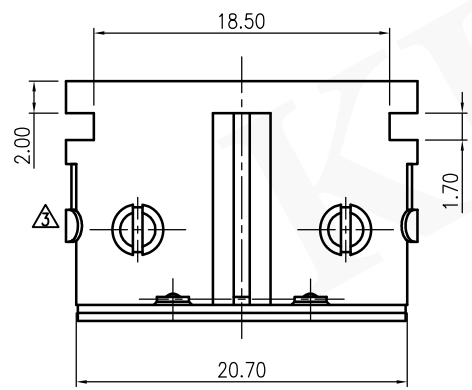


REVISIONS

LTR	DESCRIPTION	DATE	REV.	CHKD.	APVD.
△x1	修正產品UL logo(CEN080014)	2008.07.19	鄭伍豐	陸昌妹	郭遠峰
△x1	修正產品VDE編號(C03090087)	2009.05.13	李志堅	陸昌妹	郭遠峰
△x1	Bottom view封口片零件編號修正,參C03090144	2009.09.02	鄭伍峰	陸昌妹	郭遠峰
△x2	To correct name of manufacturer.(C03110372)	2012.02.14	黃健瑋	郭素玲	郭素玲



PCB Layout Dimension (Tolerance:±0.10)  
(Recommend min. Dimension)(Bottom View)



Rating: AC250V 2.5A  
AC125V 7A

Note:Approved Standard : UL&cUL File No E95834

△VDE FILE NO:1550600-1550-0009/106985  
SEMKO REFERENCE NO:201439

4	METAL SHELL	1	C2680R-H	t=0.30	MBCu-Sn plated
3	PIN	2	C2680R-1/2H	t=0.40	MBCu-Sn plated
△ 2	COVER	1	PPO(SABIC N300) UL 94V-0		Black
△ 1	HOUSING	1	PPO(SABIC N300) UL 94V-0		Black

LTR	PART NAME	Q'TY	MATERIAL	REMARK
120~315	±0.5	DWN	蘇建源	DATE 2003.07.02
30~120	±0.35	DSND	蘇建源	DATE 2002.05.04
6~30	±0.22	CHKD	夏正雄	DATE 2003.07.02
BELOW 6	±0.16	APVD	龔雲輝	DATE 2003.07.04
DIMENSION	TOLERANCE	KUNMING ELECTRONICS CO.,LTD.		
				SCALE 2/1
				PROJECTION
				UNIT: mm
				NAME AC POWER SOCKET
				CAT. NO. HJC-038-CVP
				DWN.NO. A-038-CVP
				1/1
				E

UNLESS OTHERWISE SPECIFIED, TOLERANCE ON DECIMAL:±0.30 ANGLES: ±5°