



GENERATION FUTURE

# HOOVER

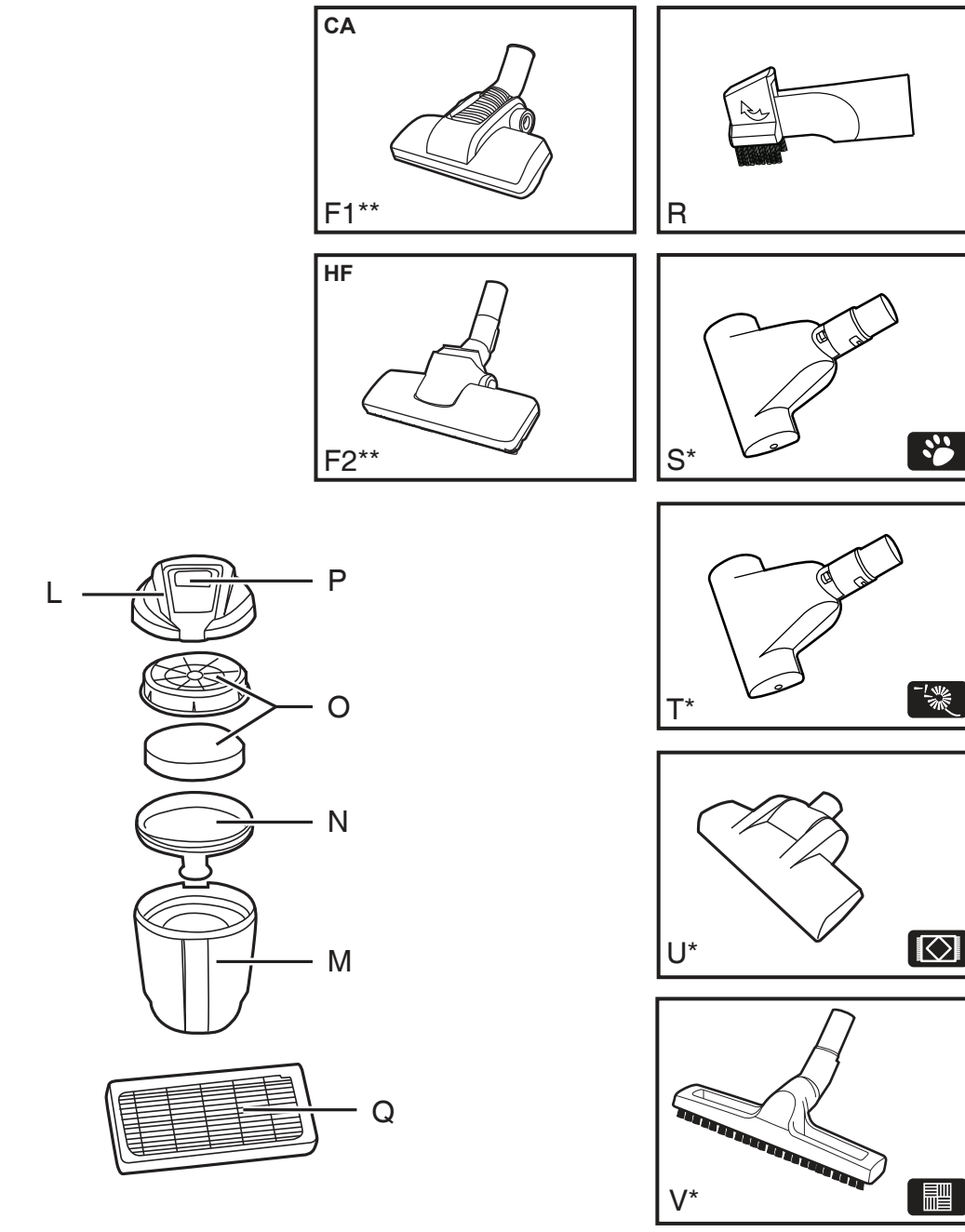
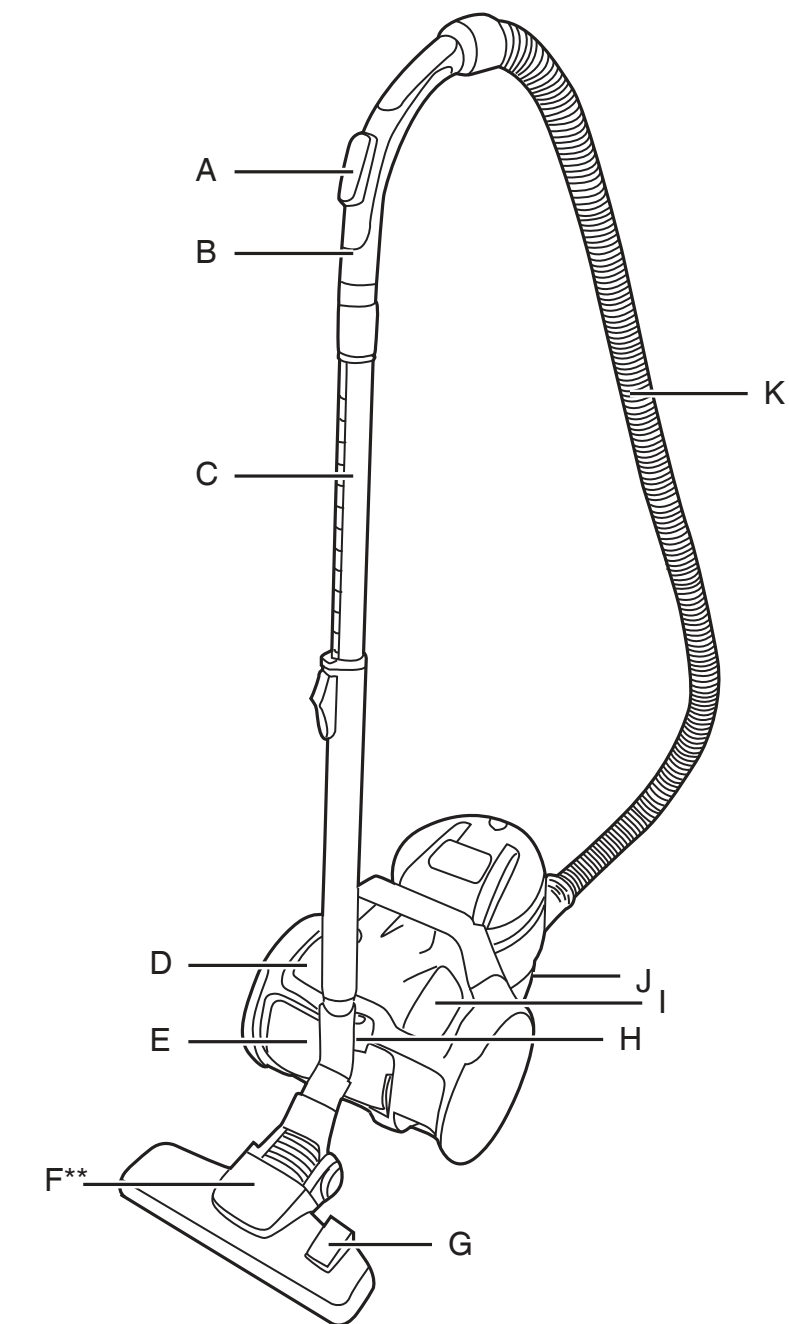


USER MANUAL (GB) .....P 01  
 MANUEL D'UTILISATION (FR) .....P 04  
 BEDIENUNGSANLEITUNG (DE) .....P 07  
 MANUALE ISTRUZIONI (IT) .....P 10  
 GEBRUIKERSHANDLEIDING (NL) .....P 13  
 MANUAL DE INSTRUÇÕES (PT) .....P 16  
 MANUAL DE INSTRUCCIONES (ES) .....P 19  
 BRUGERVEJLEDNING (DK) .....P 22  
 BRUKSANVISNING (NO) .....P 25  
 INSTRUKTIONSMANUAL (SE) .....P 28  
 KÄYTTÖOHJE (FI) .....P 31  
 ΟΔΗΓΙΕΣ ΧΡΗΣΕΩΣ (GR) .....P 34  
 РУКОВОДСТВО ПОЛЬЗОВАТЕЛЯ (RU) .....P 37  
 INSTRUKCJA OBSŁUGI (PL) .....P 40  
 NÁVOD K OBSLUZE (CZ) .....P 43  
 NAVODILA ZA UPORABO (SI) .....P 46  
 KULLANIM KILAVUZU (TR) .....P 49

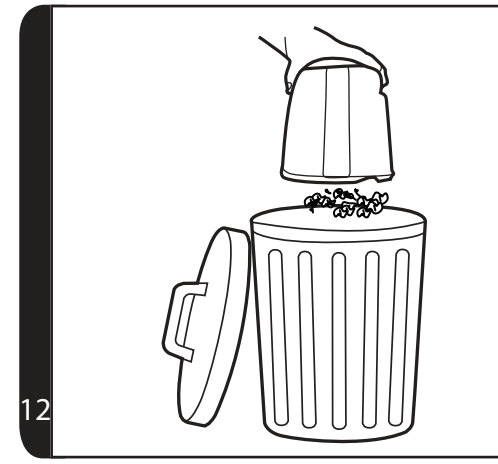
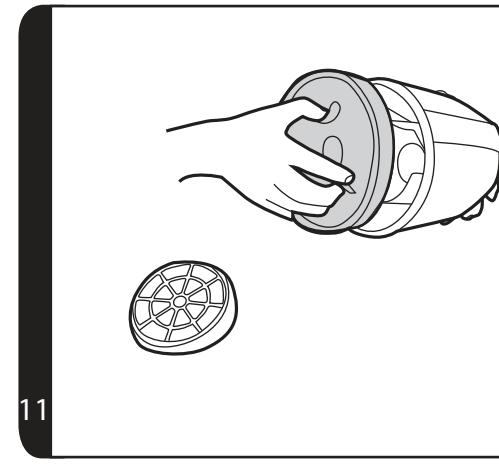
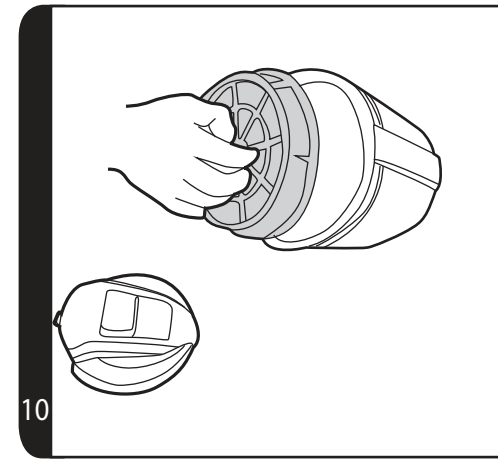
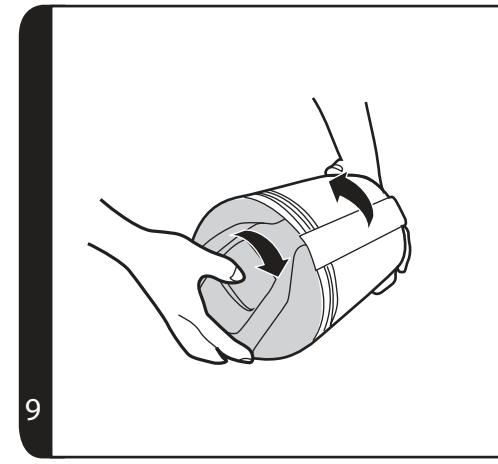
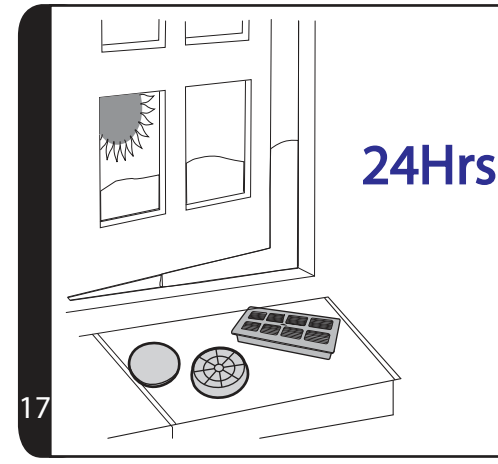
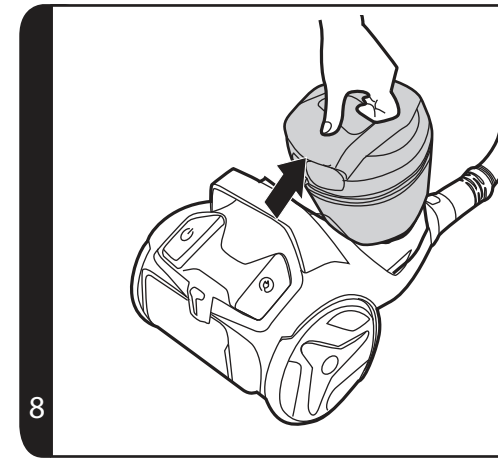
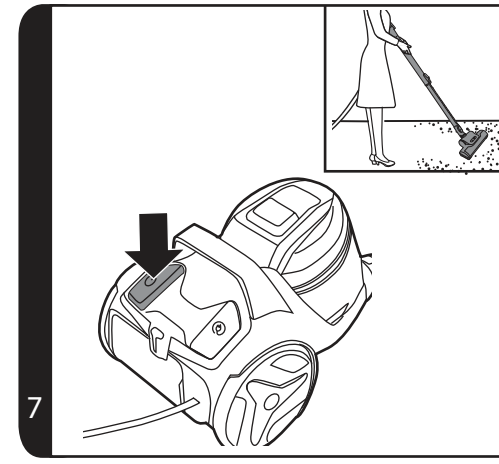
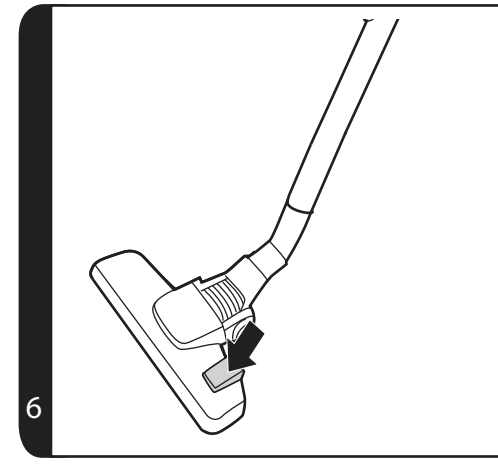
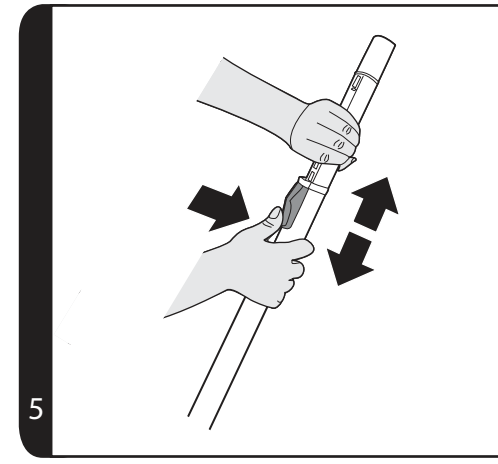
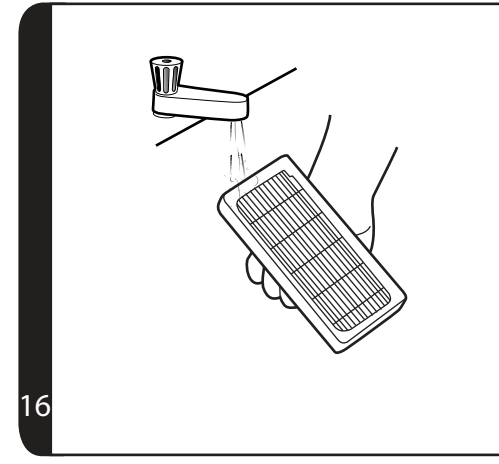
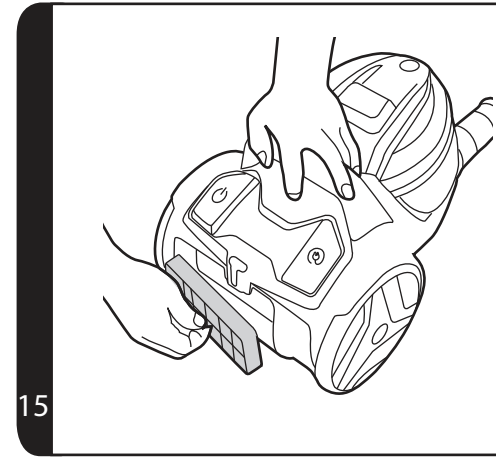
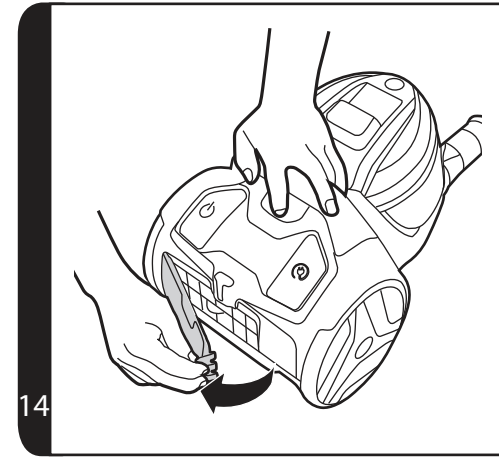
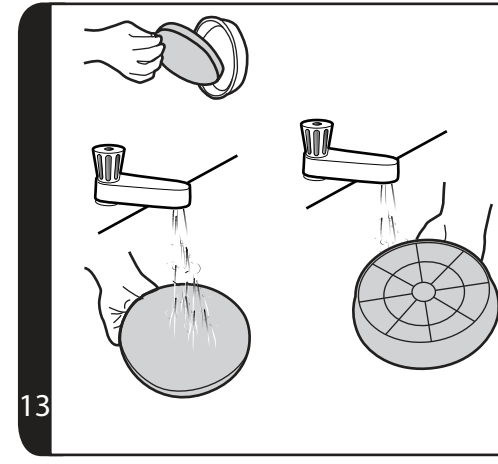
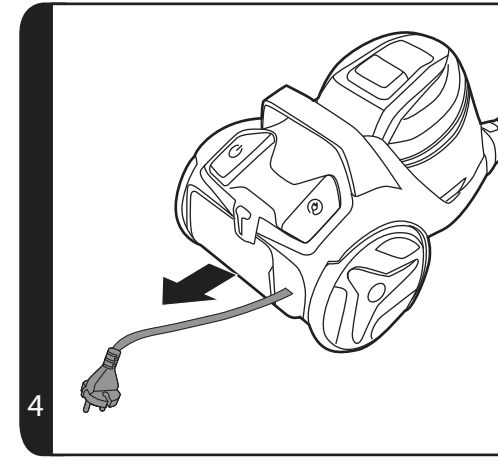
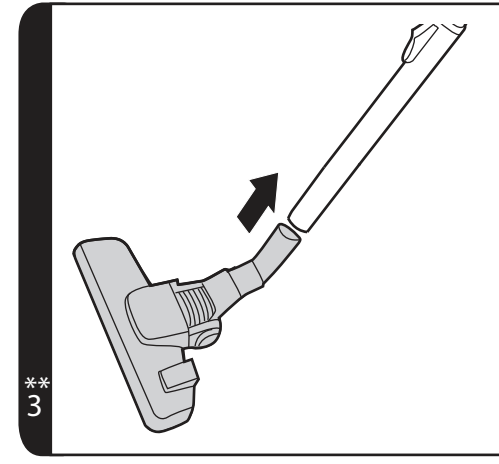
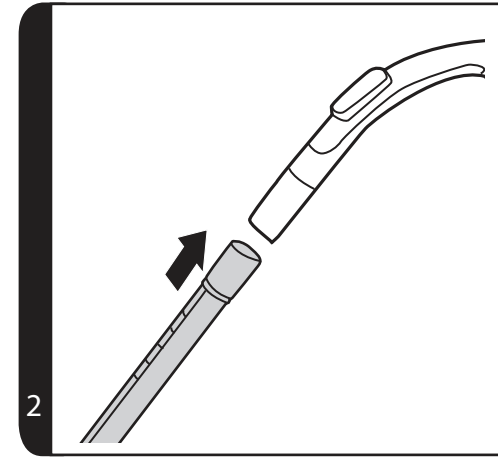
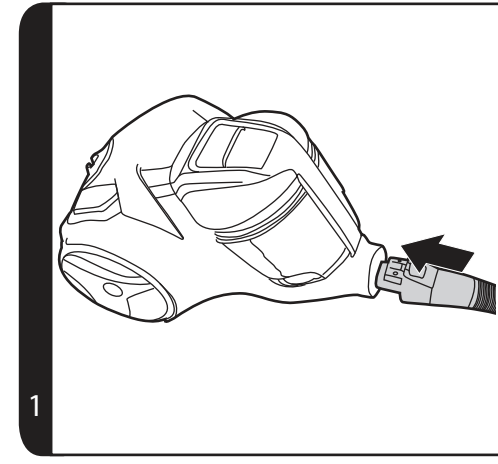


GENERATION FUTURE

PRINTED IN P.R.C.  
48019778



\* Certain models only      \*\* Certain models only, nozzles may vary according to model



\* Certain models only

\*\* Certain models only, nozzles may vary according to model

## INSTRUCTIONS FOR SAFE USE

This appliance should only be used for domestic cleaning, as described in this user guide. Please ensure that this guide is fully understood before operating the appliance.

Do not leave the appliance plugged in. Always switch off and remove the plug from the socket after use, or before cleaning the appliance or any maintenance task.

This appliance can be used by children aged from 8 years and above and persons with reduced physical, sensory or mental capabilities or lack of experience and knowledge if they have been given supervision or instruction concerning use of the appliance in a safe way and understand the hazards involved. Children shall not play with the appliance. Cleaning and user maintenance shall not be made by children without supervision.

If the power cord is damaged stop using the appliance immediately. To avoid a safety hazard, an authorised HOOVER service engineer must replace the power cord.

Keep hands, feet, loose clothing and hair away from rotating brushes.

Use only attachments, consumables or spares recommended or supplied by HOOVER.

**Static electricity:** Some carpets can cause a small build up of static electricity. Any static discharge is not hazardous to health.

Do not use your appliance out of doors or on any wet surface or for wet pick up.

Do not pick up hard or sharp objects, matches, hot ashes, cigarette ends or other similar items.

Do not spray with or pick up flammable liquids, cleaning fluids, aerosols or their vapours.

Do not run over the power cord when using your appliance or remove the plug by pulling on the power cord.

Do not continue to use your appliance if it appears faulty.

**HOOVER service:** To ensure the continued safe and efficient operation of this appliance we recommend that any servicing or repairs are only carried out by an authorised HOOVER service engineer.

Do not stand on or wrap the cord around arms or legs when using your appliance.

Do not use the appliance to clean animals or people.

Do not position the appliance above you when cleaning the stairs.

### The Environment

The symbol on this appliance indicates that this appliance may not be treated as household waste. Instead it must be handed over to the applicable collection point for the recycling of electrical and electronic equipment. Disposal must be carried out in accordance with local environmental regulations for waste disposal. For more detailed information about treatment, recovery and recycling of this appliance, please contact your local city office, your household and waste disposal service or the shop where you purchased the appliance.



 This appliance complies with the European Directives 2014/35/EU, 2014/30/EU and 2011/65/EU.

HOOVER Limited, Pentrebach, Merthyr Tydfil, Mid Glamorgan, CF48 4TU, UK

## GETTING TO KNOW YOUR CLEANER

- |                                 |  |
|---------------------------------|--|
| A. Suction Regulator            | K. Hose                                |
| B. Hose Handle                  | L. Dust Container lid                  |
| C. Telescopic Tube              | M. Dust Container                      |
| D. On/Off Pedal                 | N. Vortex Finder                       |
| E. Exhaust filter cover         | O. Pre-motor Filter                    |
| F. Carpet & Floor nozzle (GP)** | P. Dust Container Release Button       |
| F1. Carpet Nozzle (CA)**        | Q. Exhaust Filter                      |
| F2. Hard Floor Nozzle (HF)**    | R. 2 in 1 accessory                    |
| G. Floor type selector pedal    | S. Pet Hair Remover Mini Turbo Nozzle* |
| H. Park Slot                    | T. Allergen Remover Mini Turbo Nozzle* |
| I. Cord reel Pedal              | U. Grand Turbo nozzle*                 |
| J. Cleaner Main Body            | V. Parquet Nozzle*                     |

## ASSEMBLING YOUR CLEANER

Remove all components from the packaging.

1. Connect the hose to the cleaner main body, ensuring it clips and locks into position. [1]
2. To release: simply press the button on the hose end and pull.
3. Connect the hose handle to the upper extension tube end [2], or accessories if required.
4. Connect the extension tube lower end to the carpet and floor nozzle [3] or accessories if required.

## USING YOUR CLEANER

1. Extract power cord and plug it into the power supply. Do not pull the cord beyond the red marker. [4]
2. Adjust the telescopic tube to the desired height by moving the telescopic tube adjuster up and raise or lower the handle to the most comfortable cleaning position. [5]
3. Carpet & Floor Nozzle\*\*. Press the floor type selector on the nozzle [6] to select the ideal cleaning mode for the floor type.
  - Hard Floor** – Brushes are lowered to protect the floor.
  - Carpet** – Brushes are raised for the deepest clean.
4. Switch the cleaner on by pressing the on/off Pedal on the cleaner main body. [7]
5. Adjust the suction regulator on the handle to the desired level.
6. Switch off at the end of use by pressing the on/off Pedal. Unplug and press the cord reel pedal to wind the power cord back into the cleaner.

## PARKING AND STORAGE SECTION

The tube and nozzle can be parked on back of the cleaner for storage or temporary storage while in use.

\*Certain Models Only

\*\* Certain models only, nozzles may vary according to model

## ACCESSORIES

To obtain the best performance and energy efficiency #1 it is recommended that the correct nozzles are used for the main cleaning operations. These nozzles are indicated in the diagrams by the letters GP, HF or CA.

A nozzle type GP can be used to clean both carpet and hard floor.

A nozzle type HF is suitable for use only on hard floor.

A nozzle of type CA is suitable for use only on carpet.

The other nozzles are accessories for specialist cleaning tasks and are recommended for occasional use only.

It is important to note that this vacuum cleaner is supplied with an Energy Label as required by European Regulation (EU) 665/2013.

If the label shows a red prohibition circle on the left covering the carpet symbol, then this indicates that the vacuum cleaner is not suitable use on carpets.

If the label shows a red prohibition circle on the right covering the hard floor symbol, then this indicates that the vacuum cleaner is not suitable for use on hard floors.

**#1 NOTE:** Dust pick up ability carpet, dust pick up ability hard floor, and energy efficiency in accord with Commission Regulations (EU) 665/2013 and (EU) 666/2013.

All accessories can be fitted to the hose handle or the end of the tubes.

2 in 1 Tool combines several functions into one tool:

**Crevice Tool** – For corners and hard to reach areas.

**Dusting Brush** – For bookshelves, frames, keyboards and other delicate areas.

**Pet Hair Remover Mini Turbo Nozzle\*** - Use the mini turbo nozzle on stairs or for deep cleaning on textile surfaces and other hard to clean areas. Particularly suitable for pet hairs removal.

**Allergen Remover Mini Turbo Nozzle\*** – Use the mini turbo nozzle on stairs or for deep cleaning on textile surfaces and other hard to clean areas. Particularly suitable for allergen removal.

**Parquet Nozzle\*** – For parquet floors and other delicate floors.

**IMPORTANT:** Do not use the Mini Turbo Nozzles on rugs with long fringes, animal hides and carpet pile deeper than 15mm. **Do not keep the nozzle stationary while the brush is rotating.**

## CLEANER MAINTENANCE

### Emptying the Dust Container

When the dust reaches the max level indicator on the container, empty the dust container.

**IMPORTANT:** To maintain optimum performance, do not allow the dust to exceed the max level.

1. Turn off the cleaner with the main switch and unplug the power cable.
2. Press the bin release button and remove the bin assembly from the cleaner. [8]
3. Hold the dust container with one hand, and remove the dust container lid by rotating anti-clockwise. [9]
4. Remove the pre-motor filter assembly from bin assembly. [10]

5. Remove the Vortex Finder from bin assembly. [11]
6. Empty the dust from the bin. [12]
7. Refit the vortex finder and pre-motor filter assembly to bin assembly.
8. Refit the dust container lid to bin assembly.
9. Close and refit to the cleaner main body.

### Cleaning the Washable Filters

The cleaner is fitted with pre motor filter and exhaust filter. To maintain optimum cleaning performance, regularly remove the filters and tap against the side of the bin to release dust. The filters should be washed every 5 cassette empties or when the filter has excessive dust level.

**IMPORTANT: All bagless cleaners require regular filter cleaning. Failure to clean your filters may result in air blockage, overheating and product failure. This may invalidate your guarantee.**

**IMPORTANT:** Regularly check and maintain the filters.

**IMPORTANT:** Always ensure the filter pack is fully dry before use.

#### To access the filter:

1. Remove the dust container from the cleaner. [8]
2. Hold the dust container with one hand, and remove the dust container lid by rotating anti-clockwise. [9]
3. Remove the pre-motor filter assembly from bin assembly. [10]
4. Gently tap and wash the pre-motor filter. Do not use hot water or detergents. Remove excess water from the filter and leave to dry fully before re-using. [13] [17]
5. Reassemble the pre-motor filter assembly once fully dry and refit to the cleaner.

#### To access the exhaust filter:

1. Unclip the exhaust filter cover from the rear of the cleaner main body. [14]
2. Remove the exhaust filter from the rear of the cleaner. [15]
3. Gently tap and wash the filter using warm water. Do not use hot water or detergents. Remove excess water from the filter and leave to dry fully before re-using. [16] [17]
4. Refit the exhaust filter to the rear of the cleaner once fully dry and refit the exhaust filter cover.

**IMPORTANT:** Do not use the product without the filter pack fitted.

### Cleaning the dust container / separation unit

This cleaner uses a separation system unique to Hoover. If necessary the separation unit can be disassembled from the dust container and cleaned.

1. Press the dust container release button and remove the bin assembly from the cleaner. [8]
2. Hold the bin with one hand and with the other hand remove the dust container lid by rotating anti-clockwise. [9]
3. Remove the dust container lid by rotating anti-clockwise. And remove the pre-motor filter from dust container assembly. [10] And then remove the vortex finder from the dust container by pulling. [11]
4. If necessary, use a cloth to remove excessive dust from the vortex finder surface. Reassemble the internal components to the bin.
5. Reassemble the dust container lid to the dust container. Refit the dustbin to the cleaner.

### Removing a blockage

1. Check if the Dust Container is full. If so, refer to 'Emptying The Dust Container'
2. If the Dust Container is empty, but suction is still low:

- A. Do the filters need cleaning? If so, refer to 'Cleaning the Washable Filters'
- B. Check if there is any other blockage in the system - Use a rod or a pole to remove any blockage from the tubes or hose.
- C. Check for and clear any blockage in the Nozzle
- D. Check if the separation unit needs to be cleaned. Refer to 'Cleaning the separation unit.'

**WARNING** - If the cleaner is used for a significant period of time with a blockage, a thermal cut out will switch the cleaner off to prevent overheating. If this should happen, switch the cleaner off, unplug and correct the fault. It will take about 45 minutes for the cut out to automatically reset.

### USER CHECKLIST

Should you have a problem with the product, complete this simple user checklist before calling your local Hoover service.

- Is there a working electricity supply to the cleaner? Please check with another electrical appliance.
- Is the dust container over-filled? Please refer to 'Cleaner Maintenance'.
- Is the filter blocked? Please refer to 'Cleaner Maintenance'.
- Is the hose or nozzle blocked? Please refer to 'Removing a blockage from the system'.
- Has the cleaner overheated? If so, it will take approximately 30 minutes to automatically reset.

### IMPORTANT INFORMATION

#### Hoover Spares and Consumables

Always replace parts with genuine Hoover spares. These are available from your local Hoover dealer or direct from Hoover. When ordering parts always quote your model number.

#### Quality

Hoover's factories have been independently assessed for quality. Our products are made using a quality system which meets the requirements of ISO 9001.

#### Your Guarantee

The guarantee conditions for this appliance are as defined by our representative in the country in which it is sold. Details regarding these conditions can be obtained from the dealer from whom the appliance was purchased. The bill of sale or receipt must be produced when making any claim under the terms of this guarantee.

Subject to change without notice.

## INSTRUCTIONS DE SÉCURITÉ D'UTILISATION

Cet appareil ne doit être utilisé que pour un nettoyage domestique, conformément à ce guide d'utilisation. Veuillez vous assurer que ces instructions sont parfaitement comprises avant d'utiliser l'appareil.

Ne laissez pas l'appareil branché. Eteignez et débranchez toujours l'appareil après l'avoir utilisé, ou avant de le nettoyer ou de procéder à son entretien.

Cet appareil peut être utilisé par des enfants âgés d'au moins 8 ans et par des personnes ayant des capacités physiques, sensorielles ou mentales réduites, ou n'ayant pas d'expérience ou de connaissances en la matière. Ces dernières doivent recevoir des instructions sur l'utilisation de l'appareil en toute sécurité et comprendre les risques impliqués. Les enfants ne doivent pas jouer avec l'appareil. Le nettoyage et l'entretien ne devraient pas être effectués par des enfants sans supervision.

Si le cordon d'alimentation est endommagé, arrêtez immédiatement d'utiliser l'appareil. Pour éviter les risques d'accident, un réparateur HOOVER agréé doit remplacer le cordon d'alimentation.

Maintenez les mains, pieds, vêtements lâches et cheveux à distance des brosses rotatives.

N'utilisez que les accessoires, consommables ou pièces détachées recommandés ou fournis par HOOVER.

**Electricité statique :** Certains tapis peuvent entraîner une petite accumulation d'électricité statique. Les décharges d'électricité statique ne sont pas dangereuses pour la santé.

N'utilisez pas votre appareil à l'extérieur, sur une surface humide ou pour un ramassage humide.

N'aspirez pas d'objets durs ou tranchants, d'allumettes, de cendres chaudes, de mégots de cigarettes ou d'autres objets similaires.

Ne pulvérisez ou n'aspirez pas des liquides inflammables, des produits d'entretien liquides, des aérosols ou leurs vapeurs.

Ne marchez pas sur le cordon d'alimentation lorsque vous utilisez votre appareil et ne débranchez pas la fiche en tirant sur le cordon d'alimentation.

Ne continuez pas à utiliser votre appareil s'il semble défectueux.

**Service HOOVER :** Pour assurer l'utilisation sûre et efficace de cet appareil, nous recommandons de n'en confier l'entretien ou les réparations qu'à un réparateur HOOVER agréé.

Ne marchez pas sur le cordon d'alimentation ou ne l'enroulez pas sur vos bras ou vos jambes quand vous utilisez l'appareil.

N'utilisez pas l'appareil sur des personnes ou des animaux.

Lors du nettoyage des escaliers, ne placez pas l'appareil dans une position plus haute que la vôtre.

### Environnement

Le symbole figurant sur cet appareil indique qu'il ne peut pas être mis au rebut avec les ordures ménagères. Vous devez le déposer dans un centre de recyclage des déchets électriques et électroniques. La mise au rebut doit être effectuée conformément à la réglementation locale en matière de déchets. Pour obtenir des compléments d'information sur le traitement, la récupération et le recyclage de cet appareil, veuillez contacter votre municipalité, le service local d'élimination des ordures ménagères ou le revendeur de l'appareil.



Cet appareil est conforme aux Directives européennes 2014/35/UE, 2014/30/UE et 2011/65/UE.

HOOVER Limited, Pentrebach, Merthyr Tydfil, Mid Glamorgan, CF48 4TU, UK

## PREMIÈRE UTILISATION

- |   |  |
|---|--|
| A. Variateur d'aspiration                       | M. Bac à poussière   |
| B. Poignée de flexible                          | N. Détecteur Vortex  |
| C. Tube télescopique                            | O. Filtre pré-moteur   |
| D. Pédale de marche/arrêt                       | P. Bouton pour détacher le bac à poussière   |
| E. Couvercle de filtre de sortie de l'air       | Q. Filtre d'évacuation   |
| F. Brosse combinée sols durs & moquettes (GP)** | R. Accessoire 2-en-1   |
| F1. Brosse pour moquette (CA)**                 | S. Mini turbobrosse pour élimination des poils d'animaux domestiques*  |
| F2. Suceur pour sol dur (HF)**                  | T. Mini turbobrosse pour élimination des poils d'animaux domestiques, limitant la prolifération des bactéries* |
| G. Pédale de sélection du type de sol           | U. Super turbobrosse*  |
| H. Position Parking                             | V. Brosse parquet*   |
| I. Pédale enrouleur de cordon                   |  |
| J. Corps principal du nettoyeur vapeur          |  |
| K. Tuyau  |  |
| L. Volet du bac à poussière                     |  |

## MONTAGE DE VOTRE APPAREIL

Sortez tous les composants de l'emballage.

1. Raccordez le flexible à l'aspirateur en veillant à ce qu'il se fixe bien et se verrouille correctement. [1]
2. Pour le détacher : il suffit d'appuyer sur le bouton du tuyau et de tirer.
3. Connectez la poignée du tuyau à l'extrémité supérieure du tube de rallonge [2], ou aux accessoires, si nécessaire.
4. Connectez l'extrémité inférieure du tube de rallonge à la brosse combinée sols durs et moquettes [3] ou aux accessoires, si nécessaire.

## UTILISATION DE L'APPAREIL

1. Sortez le cordon d'alimentation et branchez-le sur la prise d'alimentation. Ne sortez pas le cordon au-delà du repère rouge. [4]
2. Réglez le tube télescopique à la hauteur désirée en poussant vers le haut le bouton de réglage du tube télescopique et rehaussez ou abaissez la poignée au niveau le plus confortable pour vous. [5]
3. Brosse moquette et sol dur\*\*. Appuyez sur la pédale de sélection du type de sol situé sur la brosse [6] pour sélectionner le mode d'aspiration idéal pour le type de sol.
  - Sol dur** – Les brosses sont baissées pour protéger le sol.
  - Moquette** – Les brosses sont relevées pour un nettoyage en grande profondeur.
4. Allumez l'aspirateur en appuyant sur la pédale de marche/arrêt placé sur le corps principal de l'aspirateur. [7]
5. Réglez le variateur d'aspiration sur la poignée au niveau désiré.
6. Eteignez l'aspirateur après utilisation en appuyant sur la pédale de marche/arrêt. Débranchez l'aspirateur et enroulez le cordon d'alimentation dans l'aspirateur en appuyant sur la pédale d'enroulement du cordon.

## SECTION PARKING ET RANGEMENT

Le tube et la brosse peuvent être rangés à l'arrière de l'aspirateur pour le ranger ou l'entreposer provisoirement pendant l'utilisation.

\*Sur certains modèles uniquement

\*\* Sur certains modèles uniquement, les brosses peuvent varier selon le modèle.

## ACCESSOIRES

Pour obtenir la meilleure performance et efficacité énergétique<sup>#1</sup>, il est conseillé d'utiliser les bonnes brosses pour les principales opérations de nettoyage. Ces brosses sont indiquées dans les diagrammes par les lettres **GP**, **HF** ou **CA**.

Le type de brosse **GP** peut être utilisé pour nettoyer la moquette et le sol dur.

Le type de brosse **HF** n'est adapté que pour les sols durs.

Le type de brosse **CA** n'est adapté que pour les moquettes.

Les autres brosses sont des accessoires pour les tâches de nettoyage spécialisées et sont conseillées pour des usages occasionnels uniquement.

Il est important de souligner que cet aspirateur est fourni avec une étiquette énergétique comme l'exige la réglementation européenne (UE) 665/2013.

Si l'étiquette présente un cercle d'interdiction rouge à gauche et recouvre le symbole de moquette, cela signifie qu'il n'est pas approprié d'utiliser l'aspirateur sur des moquettes.

Si l'étiquette présente un cercle d'interdiction rouge à droite et recouvre le symbole de sol dur, cela signifie qu'il n'est pas approprié d'utiliser l'aspirateur sur des sols durs.

**#1 REMARQUE :** Performance de dépoussiérage sur moquette, performance de dépoussiérage sur sol dur et efficacité énergétique en conformité à la réglementation de la Commission (UE) 665/2013 et (UE) 666/2013.

Tous les accessoires s'adaptent à la poignée du flexible ou à l'extrémité des tubes.

**L'accessoire 2 en 1** combine plusieurs fonctions en une seule brosse :

**Suceur plat** – Pour coins et endroits difficiles d'accès.

**Brosse meuble** – Pour étagères, cadres, claviers et autres surfaces délicates.

**Mini turbobrosse pour élimination des poils d'animaux domestiques\*** - Mini turbo brosse pour escaliers ou nettoyage en profondeur des surfaces textiles et autres surfaces difficiles à aspirer. Particulièrement efficace pour éliminer les poils d'animaux.

**Mini turbobrosse pour élimination des poils d'animaux domestiques, limitant la prolifération des bactéries\*** – Mini turbo brosse pour escaliers ou nettoyage en profondeur des surfaces textiles et autres surfaces difficiles à aspirer. Particulièrement efficace pour éliminer les allergènes.

**Brosse parquet\*** – Pour parquets et autres sols délicats.

**IMPORTANT :** Ne pas utiliser les suceur mini turbo sur les tapis à franges longues, les peaux d'animaux ou les moquettes à poils de plus de 15 mm de longueur. **Ne pas laisser la brosse tourner sur place.**

## ENTRETIEN DE L'APPAREIL

### Vidage du bac à poussière

Lorsque la poussière atteint le repère de niveau maximum, videz le bac à poussière.

**IMPORTANT :** Afin de maintenir la performance optimale de l'appareil, ne laissez pas la poussière excéder le niveau maximum.

1. Arrêtez l'aspirateur à l'aide de l'interrupteur principal et débranchez le câble d'alimentation.
2. Appuyez sur le bouton de déverrouillage du bac et retirez l'ensemble du bac de l'aspirateur. [8]
3. Tenez le bac à poussière d'une main et retirez le volet en le tournant dans le sens inverse des aiguilles d'une montre [9]

4. Retirez l'ensemble du filtre pré-moteur du bac. [10]
5. Retirez le diaphragme de cyclone de l'ensemble du bac. [11]
6. Vider la poussière du bac. [12]
7. Remettez le diaphragme de cyclone et l'ensemble du filtre pré-moteur dans le bac.
8. Remettez le volet du bac à poussière.
9. Fermez-le et remettez-le sur le corps principal de l'aspirateur.

### Nettoyage des filtres lavables

L'aspirateur est équipé d'un filtre pré-moteur et d'un filtre d'évacuation. Pour une performance d'aspiration optimale, retirez régulièrement les filtres et les tapoter contre le côté du bac pour décoller la poussière. Les filtres doivent être lavés après 5 vidages de la cassette ou lorsque le niveau de poussière du filtre est excessif.

**IMPORTANT : Tous les aspirateurs sans sac nécessitent un nettoyage régulier du filtre. Un défaut de nettoyage des filtres peut entraîner un blocage d'air, une surchauffe et un défaut du produit. Ceci peut annuler votre garantie.**

**IMPORTANT :** Contrôlez et entretenez régulièrement les filtres.

**IMPORTANT :** Veillez toujours à ce que le jeu de filtre soit bien sec avant utilisation.

#### Pour accéder au filtre :

1. Retirez le bac à poussière de l'aspirateur. [8]
2. Tenez le bac à poussière d'une main et retirez le volet en le tournant dans le sens inverse des aiguilles d'une montre [9]
3. Retirez l'ensemble du filtre pré-moteur du bac. [10]
4. Tapotez doucement et lavez le filtre pré-moteur. N'utilisez pas d'eau chaude ou de détergents. Éliminez l'excédent d'eau du filtre et laissez-le sécher complètement avant de le réutiliser. [13] [17]
5. Remontez l'ensemble du filtre pré-moteur une fois qu'il est entièrement sec et remettez-le sur l'aspirateur.

#### Pour accéder au filtre sortie moteur :

1. Déclipsez le couvercle du filtre d'évacuation de l'arrière du corps principal de l'aspirateur. [14]
2. Retirez le filtre d'évacuation de l'arrière de l'aspirateur. [15]
3. Tapotez doucement et lavez le filtre avec de l'eau tiède. N'utilisez pas d'eau chaude ou de détergents. Éliminez l'excédent d'eau du filtre et laissez-le sécher complètement avant de le réutiliser. [16] [17]
4. Remettez le filtre d'évacuation à l'arrière de l'aspirateur une fois qu'il est complètement sec et remettez le couvercle du filtre d'évacuation.

**IMPORTANT :** N'utilisez pas l'aspirateur sans les filtres.

### Nettoyage du bac à poussière/de l'unité de séparation

Cet aspirateur dispose d'un système de séparation unique à Hoover. Si nécessaire, vous pouvez démonter l'unité de séparation du bac à poussière pour la nettoyer.

1. Appuyez sur le bouton de déverrouillage du bac à poussière et retirez l'ensemble du bac de l'aspirateur. [8]
2. Tenez le bac d'une main et avec l'autre main, retirez le volet du bac à poussière en le tournant dans le sens inverse des aiguilles d'une montre. [9]
3. Retirez le volet du bac à poussière en le tournant dans le sens inverse des aiguilles d'une montre. Et retirez le filtre pré-moteur de l'ensemble du bac à poussière. [10] Puis, retirez le diaphragme de cyclone du bac à poussière en le tirant. [11]
4. Si nécessaire, utilisez un chiffon pour retirer l'excès de poussière de la surface du diaphragme

\*Sur certains modèles uniquement

\*\* Sur certains modèles uniquement, les brosses peuvent varier selon le modèle.

de cyclone. Remontez les composants internes dans le bac.

5. Remettez le volet du bac à poussière sur le bac à poussière. Remplacez le bac à poussière sur l'aspirateur.

### Élimination d'une obstruction

1. Vérifiez si le bac à poussière est plein. Si c'est le cas, voir « Nettoyage du bac à poussière ».
2. Si le bac à poussière est vide mais que l'aspirateur aspire mal :
  - A. Les filtres ont-ils besoin d'être nettoyés ? Si c'est le cas, voir « Nettoyage des filtres lavables ».
  - B. Vérifiez qu'il n'y ait pas de blocage à un autre endroit du système. - Éliminez les blocages dans les tubes ou dans le flexible à l'aide d'une tige ou d'un manche.
  - C. Rechercher et dégager toute obstruction dans le suceur
  - D. Vérifiez si l'unité de séparation doit être nettoyée. Consultez la section "Nettoyage du séparateur".

**MISE EN GARDE** - Si l'aspirateur est utilisé pour une période de temps importante avec un blocage, une coupure thermique causera l'arrêt de l'aspirateur pour empêcher une surchauffe. Si cela se produit, éteignez l'aspirateur, débranchez-le et faites le nécessaire pour rectifier le problème. Le coupe-circuit se réinitialisera automatiquement au bout de 45 minutes.

### LISTE DES VÉRIFICATIONS À EFFECTUER

En cas de problèmes avec l'appareil, effectuez les vérifications de la liste de vérifications avant d'appeler le service après-vente Hoover.

- L'aspirateur est-il alimenté en électricité ? Veuillez vérifier la prise utilisée avec un autre appareil électrique.
- Le bac à poussière est-il saturé ? Veuillez vous reporter à « Entretien de l'aspirateur ».
- Le filtre est-il encrassé ? Veuillez vous reporter à « Entretien de l'aspirateur ».
- Le tube ou le flexible est-il bouché ? Veuillez vous reporter à « Pour éliminer un blocage dans le système ».
- L'aspirateur a-t-il surchauffé ? Si c'est le cas, il lui faudra environ 30 minutes pour se réinitialiser automatiquement.

### INFORMATIONS IMPORTANTES

#### Pièces détachées et consommables Hoover

Toujours remplacer les pièces par des pièces détachées de la marque Hoover. Celles-ci sont disponibles auprès de votre revendeur Hoover. Lors de la commande de pièces, veuillez toujours préciser le numéro de votre modèle.

#### Qualité

La qualité des usines Hoover a fait l'objet d'une évaluation indépendante. Nos produits sont fabriqués selon un système de qualité conforme à la norme ISO 9001.

#### Votre garantie

Les conditions de garantie de cet appareil sont définies par notre représentant dans le pays où il est vendu et peuvent être obtenues auprès de votre revendeur. Les détails concernant ces conditions peuvent être obtenues auprès du revendeur auprès duquel l'appareil a été acheté. La facture d'achat ou le reçu doivent être présentés pour toutes réclamations relevant des conditions de cette garantie.

Ces conditions peuvent être modifiées sans préavis.



## HINWEISE FÜR DIE SICHERE BENUTZUNG

Dieses Gerät ist nur zum Gebrauch im Haushalt und nicht für gewerbliche Zwecke bestimmt. Sie sollten das Gerät ausschließlich gemäß den Angaben in dieser Bedienungsanleitung verwenden. Vor dem Gebrauch des Gerätes muss die vorliegende Bedienungsanleitung vollständig gelesen und verstanden worden sein.

Ziehen Sie den Netzstecker nach Gebrauch aus der Steckdose. Vor der Reinigung oder Wartung das Gerät stets ausschalten, den Netzstecker aus der Steckdose ziehen und abkühlen lassen.

Dieses Gerät darf von Kindern ab 8 Jahren, sowie körperlich, geistig oder sensorisch behinderten Personen bzw. Personen ohne Erfahrung und Kenntnisse im Gebrauch nur unter Aufsicht oder unter Anleitung für die sichere Benutzung und den damit verbundenen Gefahren benutzt werden. Kinder sollten nicht unbeaufsichtigt mit dem Gerät spielen. Reinigungs- und Wartungsarbeiten dürfen von Kindern nur unter Aufsicht ausgeführt werden.

Ist das Netzkabel beschädigt, darf das Gerät NICHT mehr benutzt werden. Im Falle eines Defektes darf das Netzkabel nur durch einen autorisierten HOOVER-Kundendiensttechniker ausgetauscht werden.

Hände, Füße, lose Kleidung und Haare von den rotierenden Bürsten fernhalten.

Verwenden Sie nur von HOOVER empfohlene oder gelieferte Zubehörteile, Verbrauchsmaterialien und Ersatzteile.

**Statische Aufladung:** Manche Teppiche können die Bildung statischer Elektrizität verursachen. Diese ist jedoch sehr gering und bei Entladung nicht gesundheitsschädlich.

Benutzen Sie das Gerät nicht im Freien, auf nassen Oberflächen oder zur Aufnahme von feuchtem Schmutz.

Vermeiden Sie es, harte oder scharfe Gegenstände, Streichhölzer, heiße Asche, Zigarettenkippen oder Ähnliches aufzusaugen.

Niemals entzündliche Flüssigkeiten, Reinigungsmittel, Aerosole oder deren Dämpfe auf das Gerät sprühen oder damit aufsaugen.

Während des Betriebs nicht über das Netzkabel fahren. Nicht am Kabel ziehen, um den Gerätestecker aus der Steckdose zu ziehen.

Stellen Sie die Verwendung des Gerätes ein, wenn ein Defekt am Gerät vermutet wird.

**HOOVER-Kundendienst:** Um auf Dauer den sicheren und effizienten Betrieb dieses Gerätes zu gewährleisten, empfehlen wir, Wartungs- und Reparaturarbeiten ausschließlich von einem zugelassenen HOOVER-Kundendienst durchführen zu lassen.

Treten Sie beim Gebrauch des Gerätes nicht auf das Netzkabel und wickeln es sich nicht um Arme oder Beine.

Benutzen Sie das Gerät nicht zur Reinigung von Menschen oder Tieren.

Positionieren Sie das Gerät bei der Reinigung von Treppen nicht oberhalb von Ihnen.

### Umweltschutz

Das am Gerät angebrachte Symbol gibt an, dass dieses Gerät nicht als Hausmüll behandelt werden darf, sondern an einer entsprechenden Sammelstelle für das Recycling von elektrischen und elektronischen Geräten zu entsorgen ist. Die Entsorgung ist in Übereinstimmung mit allen geltenden Vorschriften für die umweltgerechte Abfallentsorgung vorzunehmen. Ausführlichere Informationen über die Müllbehandlung und das Recycling dieses Gerätes erhalten Sie von der zuständigen Umweltbehörde, der Müllentsorgungsstelle Ihrer Kommune oder dem Händler, bei dem Sie das Gerät erworben haben.



Dieses Gerät erfüllt die Europäischen Richtlinien 2014/35/EU, 2014/30/EU und 2011/65/EU.

HOOVER Limited, Pentrebach, Merthyr Tydfil, Mid Glamorgan, CF48 4TU, UK

## BEZEICHNUNG DER TEILE

- |                                  |   |
|----------------------------------|---|
| A. Nebenluftregelung             | K. Saugschlauch                         |
| B. Handgriff                     | L. Staubbehälterdeckel                  |
| C. Rasterteleskoprohr            | M. Staubbehälter                        |
| D. EIN-/AUS-Schalter             | N. Vortex-Einheit                       |
| E. Abdeckung für Abluftfilter    | O. Vormotorfilter                       |
| F. Umschaltbare Bodendüse (GP)** | P. Entriegelungsknopf für Staubbehälter |
| F1. Teppichbodendüse (CA)**      | Q. Abluftfilter                         |
| F2. Hartbodendüse (HF)**         | R. 2in1-Zubehör                         |
| G. Bodenbelagswahlschalter       | S. Miniturbodüse*                       |
| H. Parkposition                  | T. Miniturbodüse*                       |
| I. Kabelaufwickeltaste           | U. Turbobodendüse*                      |
| J. Gerätekorpus                  | V. Hartbodendüse*                       |

## ZUSAMMENBAU DES GERÄTES

Nehmen Sie alle Teile des Gerätes aus dem Karton.

1. Befestigen Sie das eine Ende des Saugschlauches am Gerätekorpus, so dass es spürbar einrastet. [1]
2. Freigabe: Drücken Sie die Schlauchentriegelungstaste am Ende des Saugschlauches und ziehen den Schlauch heraus.
3. Schließen Sie den Schlauchhandgriff oder bei Bedarf das Zubehör am oberen Ende des Verlängerungsrohrs an [2].
4. Schließen Sie das untere Ende des Verlängerungsrohrs [3] an der Teppich- und Bodendüse, oder bei Bedarf am Zubehör an.

## GEBRAUCH DES GERÄTES

1. Ziehen Sie das Netzkabel raus und schließen es an eine Steckdose an. Ziehen Sie das Kabel keinesfalls weiter, als bis zur roten Markierung heraus. [4]
2. Stellen Sie das Teleskoprohr auf die gewünschte Höhe ein, indem Sie den Freigabeknopf nach oben schieben und den Griff auf die Höhe einstellen, die zur Reinigung für Sie am bequemsten ist. [5]
3. Umschaltbare Bodendüse\*\*. Drücken Sie das Pedal an der Düse [6], um die gewünschte Bodenart auszuwählen.
  - Hartboden** – Der Borstenkranz wird zum Schutz des Bodens abgesenkt.
  - Teppichboden** – Besonders gründliche Reinigung durch Anheben des Borstenkranzes.
4. Schalten Sie das Gerät ein, indem Sie die Ein-/Aus-Taste betätigen. [7]
5. Stellen Sie den Nebenluftregler am Handgriff auf die gewünschte Stufe ein.
6. Nach Gebrauch durch erneutes Betätigen der Ein-/Aus-Taste ausschalten. Ziehen Sie den Stecker raus und drücken die Kabelaufwickeltaste, wodurch das Netzkabel in das Gerät eingezogen wird.

## AUFBEWAHRUNG

Das Rohr und die Düse können während der Benutzung des Gerätes auf der Rückseite des Gerätes dauerhaft oder vorübergehend aufbewahrt werden.

\*Geräteausstattung ist modellabhängig

\*\* Nur bei bestimmten Modellen können die Düsen modellabhängig sein

## ZUBEHÖR

Um die beste Leistung und Energieeffizienz zu erzielen<sup>#1</sup> wird empfohlen, dass die richtigen Düsen für den Hauptreinigungsbetrieb verwendet werden. Die Düsen werden in den Diagrammen mit den Bezeichnungen **GP**, **HF** oder **CA** gekennzeichnet.

Die Düse mit der Bezeichnung **GP** kann zur Reinigung von Teppichen und Hartböden verwendet werden.

Die Düse mit der Bezeichnung **HF** ist nur für die Reinigung von Hartböden geeignet.

Die Düse mit der Bezeichnung **CA** ist nur für die Reinigung von Teppichen geeignet.

Die anderen Düsen sind Zubehör für besondere Reinigungsaufgaben und werden nur für die fallweise Benutzung empfohlen.

Es ist wichtig, darauf hinzuweisen, dass dieser Staubsauger mit einem Etikett zur Energieverbrauchskennzeichnung gemäß Europäischer Richtlinie (EU) 665/2013 geliefert wird (EnergieLabel).

Wenn das Etikett links auf dem Teppichsymbol einen roten Verbotskreis aufweist, bedeutet dies, dass der Staubsauger nicht für die Reinigung von Teppichböden geeignet ist.

Wenn das Etikett rechts auf dem Hartbodensymbol einen roten Verbotskreis aufweist, bedeutet dies, dass der Staubsauger nicht für die Reinigung von Hartböden geeignet ist.

**#1 HINWEIS:** Die Werte für die Staubaufnahmekapazität auf Teppichen, auf Hartböden und Energieeffizienz wurden in Übereinstimmung mit den Verordnungen der Kommission (EU) 665/2013 und (EU) 666/2013 ermittelt.

Alle Zubehörteile können am Ende des Saugschlauches oder direkt am Teleskoprohr befestigt werden.

**2in1-Zubehör** kombiniert die Funktion von Fugendüse und Möbelpinsel in einem Zubehörteil:

**Fugendüse** – Ideal zur Reinigung von Ecken und schwer zugänglichen Bereichen.

**Möbelpinsel** – Für Bücherregale, Bilderrahmen, Tastaturen und andere empfindliche Bereiche.

**Miniturbodüse\*** - Die Miniturbodüse eignet sich speziell zur Reinigung von Matratzen und Polstermöbeln. Besonders geeignet zur Entfernung von Tierhaaren.

**Miniturbodüse\*** – Die Miniturbodüse eignet sich speziell zur Reinigung von Matratzen und Polstermöbeln. Reinigt Matratzen und Polstermöbel besonders gründlich.

**Hartbodendüse\*** – Ideal zur Reinigung von Parkettböden und anderen empfindlichen Hartböden.

**WICHTIG:** Benutzen Sie die Miniturbodüse nicht auf Teppichen und Vorlegern mit langen Fransen, auf Tierfellen und auf über 15 mm tiefem Teppichflor. **Halten Sie die Düse bei sich drehender Bürstwalze nicht still.**

## WARTUNG DES GERÄTES

### Leeren des Staubbehälters

Der Staubbehälter muss spätestens dann geleert werden, wenn die MAX-Markierung am Behälter erreicht ist.

**WICHTIG:** Bitte beachten Sie, dass zur Aufrechterhaltung der optimalen Leistungsfähigkeit Ihres Geräts der Staubbehälter nicht über die MAX.-Marke gefüllt sein sollte.

1. Schalten Sie den Staubsauger mit dem Hauptschalter aus und ziehen Sie den Stecker aus der Steckdose.
2. Drücken Sie die Taste zur Entfernung des Staubbehälters und nehmen Sie den Staubbehälter vom Staubsauger ab. [8]

3. Halten Sie den Staubbehälter mit einer Hand fest und entfernen Sie den Staubbehälterdeckel, in dem Sie ihn mit der anderen Hand entgegen dem Uhrzeigersinn drehen. [9]
4. Nehmen Sie den Vormotorfilter von der Behälterbaugruppe ab. [10]
5. Entfernen Sie das Tauchrohr von der Behälterbaugruppe. [11]
6. Entleeren Sie den Staub in den Abfalleimer. [12]
7. Befestigen Sie das Tauchrohr und den Vormotorfilter wieder an der Behälterbaugruppe.
8. Befestigen Sie den Staubbehälterdeckel wieder an der Behälterbaugruppe.
9. Schließen und befestigen Sie diese wieder am Staubsaugergehäuse.

### Reinigung der waschbaren Filter

Der Staubsauger ist mit einem Vormotor- und einem Abluftfilter ausgestattet. Um eine optimale Reinigungsleistung beizubehalten, die Filter regelmäßig entnehmen und auszuklopfen, um den Staub zu entfernen. Die Filter müssen spätestens nach 5 Entleerungen der Staubkassette oder wenn diese sehr stark verschmutzt sind, mit lauwarmen Wasser ausgewaschen werden.

**WICHTIG: Allebeutellosen Staubsauger müssen regelmäßig gereinigt und gewartet werden. Werden die Filter nicht gereinigt, kann dies zu Verstopfung, Überhitzung und damit zu einem Produktausfall führen. Dadurch erlischt möglicherweise Ihre Garantie.**

**WICHTIG:** Die Filter regelmäßig überprüfen und warten.

**WICHTIG:** Die Filter immer erst dann benutzen, wenn sie vollständig getrocknet sind.

### Herausnehmen der Filter:

1. Nehmen Sie den Staubbehälter vom Staubsauger ab. [8]
2. Halten Sie den Staubbehälter mit einer Hand fest und entfernen Sie den Staubbehälterdeckel, in dem Sie ihn mit der anderen Hand entgegen dem Uhrzeigersinn drehen. [9]
3. Nehmen Sie den Vormotorfilter von der Behälterbaugruppe ab. [10]
4. Klopfen Sie den Vormotorfilter vorsichtig aus und waschen Sie ihn. Verwenden Sie kein heißes Wasser und keine Reinigungsmittel. Entfernen Sie das überschüssige Wasser aus dem Filter und lassen Sie ihn vor erneuter Verwendung gründlich trocknen. [13] [17]
5. Bauen Sie den Vormotorfilter, nachdem er vollständig getrocknet ist, wieder zusammen und setzen Sie diesen wieder in den Staubsauger ein.

### So entfernen Sie den Abluftfilter:

1. Lösen Sie die Abdeckung des Abluftfilters an der Rückseite des Staubsaugergehäuses. [14]
2. Entfernen Sie den Abluftfilter von der Rückseite des Staubsaugers. [15]
3. Klopfen Sie den Filter unter lauwarmem Wasser vorsichtig aus. Verwenden Sie kein heißes Wasser und keine Reinigungsmittel. Entfernen Sie das überschüssige Wasser aus dem Filter und lassen Sie ihn vor erneuter Verwendung gründlich trocknen. [16] [17]
4. Montieren Sie den Abluftfilter, nachdem er vollständig getrocknet ist, wieder an der Rückseite des Staubsaugers und befestigen danach die Abdeckung des Abluftfilters.

**WICHTIG:** Das Gerät darf auf keinen Fall ohne die Filter benutzt werden.

### Reinigung des Staubbehälters/der Airvolution-Funktionseinheit

Dieser Staubsauger nutzt eine spezielle Schmutzabscheiderinheit. Bei Bedarf kann diese aus dem Staubbehälter ausgebaut und gereinigt werden.

1. Drücken Sie die Staubbehälter-Freigabetaste und nehmen Sie die Behälterbaugruppe vom Staubsauger ab. [8]
2. Halten Sie den Staubbehälter mit einer Hand fest und entfernen Sie den Staubbehälterdeckel, indem Sie ihn mit der anderen Hand entgegen dem Uhrzeigersinn drehen. [9]
3. Entfernen Sie den Staubbehälterdeckel, in dem Sie ihn entgegen dem Uhrzeigersinn drehen. Und nehmen Sie den Vormotorfilter vom Staubbehälter ab. [10] Ziehen Sie danach das Tauchrohr vom Staubbehälter ab. [11]
4. Bei starker Verschmutzung durch Staub können Sie die Oberfläche des Tauchrohres mit

\*Geräteausstattung ist modellabhängig

\*\* Nur bei bestimmten Modellen können die Düsen modellabhängig sein

- einem Lappen abwischen. Befestigen Sie die Innenteile wieder am Behälter.
5. Befestigen Sie den Staubbehälterdeckel wieder am Staubbehälter. Setzen Sie den Staubbehälter wieder im Staubsauger ein.

### Entfernen einer Verstopfung

1. Füllstand des Staubbehälters prüfen. Ist er voll, siehe „Leeren des Staubbehälters“.
2. Falls der Staubbehälter leer ist und die Saugkraft dennoch schwach ist, folgendes prüfen:
  - A. Müssen die Filter gereinigt werden? Ist er voll, siehe „Reinigung der waschbaren Filter“.
  - B. Prüfen Sie, ob der Saugtrakt an einer anderen Stelle verstopft ist. - Entfernen Sie Verstopfungen im Teleskoprohr oder im Saugschlauch mit einem Stab.
  - C. Überprüfen Sie die Düse auf eine Verstopfung und reinigen Sie diese
  - D. Prüfen Sie, ob die Multizykloneinheit gereinigt werden muss. Weitere Informationen finden Sie unter Reinigung der Schmutzabscheiderinheit.

**ACHTUNG** - Wird der Staubsauger über längere Zeit genutzt, während der Staubbehälter voll ist, die Filter zugesetzt sind oder eine Verstopfung im Saugtrakt vorliegt, schaltet ein Sicherheitsschalter das Gerät automatisch ab, um es vor Überhitzung zu schützen. In diesem Fall das Gerät ausschalten, den Netzstecker ziehen und den Fehler beheben. Der Überhitzungsschutz schaltet sich nach ca. 45 Minuten automatisch ab.

### PRÜFLISTE ZUR FEHLERSUCHE

Bitte prüfen Sie zunächst die einzelnen Punkte dieser Prüfliste, bevor Sie sich bei einem Problem an Ihre zuständige Hoover-Kundendienststelle wenden.

- Ist die Stromversorgung in Ordnung? Bitte überprüfen Sie diese mit einem anderen elektrischen Gerät.
- Ist der Staubbehälter überfüllt? Siehe „Wartung des Staubsaugers“.
- Ist einer der Filter zugesetzt? Siehe „Wartung des Staubsaugers“.
- Ist der Saugschlauch oder die Düse verstopft? Siehe „Verstopfung des Saugtraktes beheben“.
- Ist der Staubsauger überhitzt? Falls ja, dauert es ca. 30 Minuten, bis der Überhitzungsschutz sich automatisch abschaltet.

### WICHTIGE INFORMATIONEN

#### Hoover Originalersatzteile und Verbrauchsartikel

Verwenden Sie stets Originalersatzteile von Hoover. Diese sind über den Hoover-Kundendienst erhältlich. Geben Sie bei der Bestellung von Ersatzteilen bitte stets die komplette 16stellige Artikelnummer (Typenplakette auf der Rückseite des Gerätes) Ihres Gerätemodells an.

#### Qualität

Die Hoover-Werke wurden unabhängig voneinander jeweils einer Qualitätsprüfung unterzogen. Unsere Produkte werden nach einem Qualitätsstandard hergestellt, der die Anforderungen von ISO 9001 erfüllt.

#### Garantieerklärung

Die Garantiebestimmungen für dieses Gerät entsprechen den Richtlinien des Landes, in dem Sie das Gerät erworben haben. Weitere Einzelheiten dazu erhalten Sie vom Händler, bei dem Sie das Gerät erworben haben oder aus dem roten Garantieheft, das der Verpackung beiliegt. Bitte bewahren Sie den Kaufbeleg sorgfältig auf, denn er wird für eventuell auftretende Garantieansprüche benötigt.

Änderungen vorbehalten.

## ISTRUZIONI PER UN USO SICURO

Questo apparecchio deve essere utilizzato esclusivamente in ambito domestico per interventi di pulizia, secondo le istruzioni riportate nel presente documento. Accertarsi di aver compreso le istruzioni prima di mettere in funzione l'apparecchio.

Non lasciare l'apparecchio collegato alla corrente. Prima di procedere alla pulizia dell'apparecchiatura o di effettuare qualsiasi operazione di manutenzione, spegnere sempre l'apparecchio e scollegare la spina.

Questo elettrodomestico non è destinato a essere utilizzato da persone dalle ridotte capacità fisiche, sensoriali o mentali (bambini inclusi), senza una adeguata assistenza o controllo da parte di una persona adulta responsabile della loro sicurezza. Controllare che i bambini non giochino con l'apparecchio. Pulizia e manutenzione non possono essere eseguite da bambini senza sorveglianza da parte di una persona responsabile.

Se il cavo di alimentazione è danneggiato, interrompere immediatamente l'utilizzo dell'apparecchio. Per evitare pericoli, il cavo di alimentazione dovrà essere sostituito da un tecnico del servizio assistenza autorizzato HOOVER.

Tenere le mani, i piedi, i capi di abbigliamento non attillati e i capelli lontani dalle spazzole rotanti.

Utilizzare solo accessori o parti di consumo e di ricambio consigliati o forniti da HOOVER.

**Elettricità statica:** Alcuni tappeti possono produrre un piccolo accumulo di elettricità statica. Le cariche di elettricità statica non sono pericolose per la salute.

Non utilizzare l'apparecchio all'aperto, su superfici bagnate o per aspirare liquidi.

Non aspirare oggetti solidi o appuntiti, fiammiferi, ceneri calde, mozziconi di sigaretta o simili.

Non vaporizzare o aspirare liquidi infiammabili, detergenti, aerosol o i loro vapori.

Non calpestare il cavo di alimentazione durante l'utilizzo dell'apparecchio o scollegare la spina dalla presa tirando il cavo di alimentazione.

Non continuare a utilizzare l'apparecchio in caso di presunto guasto.

**Assistenza HOOVER:** Per garantire un funzionamento sempre sicuro ed efficiente dell'apparecchiatura, si consiglia di fare eseguire eventuali interventi di assistenza o di riparazione dai tecnici del servizio assistenza autorizzato HOOVER.

Non calpestare il cavo di alimentazione o avvolgerlo intorno alle braccia o alle gambe mentre si usa l'apparecchio.

Non utilizzare l'apparecchio per l'igiene della persona o degli animali.

Non collocare l'apparecchio in una posizione più bassa rispetto alla propria quando si puliscono delle scale.

### Ambiente:

Il simbolo apposto sul prodotto indica che lo stesso non può essere smaltito come i normali rifiuti domestici, bensì deve essere portato al punto di raccolta o al centro di riciclaggio delle apparecchiature elettriche ed elettroniche più vicino. Lo smaltimento deve essere eseguito in conformità alle normative locali vigenti per la salvaguardia dell'ambiente e lo smaltimento dei rifiuti. Per ulteriori informazioni sul trattamento, il recupero e il riciclaggio di questo prodotto, contattare l'unità territoriale competente per il servizio di smaltimento o il negozio in cui il prodotto è stato acquistato.



Questo prodotto è conforme alle Direttive Europee 2014/35/EU, 2014/30/EU e 2011/65/EU.

HOOVER Limited, Pentrebach, Merthyr Tydfil, Mid Glamorgan, CF48 4TU, UK

## DESCRIZIONE DELL'APPARECCHIO:

- |   |   |
|---|---|
| A. Regolatore forza aspirante                       | K. Tubo flessibile  |
| B. Impugnatura tubo                                 | L. Coperchio contenitore raccogli polvere                           |
| C. Tubo telescopico                                 | M. Contenitore raccogli polvere                                     |
| D. Pulsante a pedale Accensione/<br>Spegnimento     | N. Condotto d'uscita  |
| E. Coperchio del filtro in uscita                   | O. Filtro pre-motore  |
| F. Spazzola tappeti e pavimenti (GP)**              | P. Pulsante sblocco contenitore raccogli polvere                    |
| F1. Spazzola per tappeti (CA)**                     | Q. Filtro in uscita   |
| F2. Spazzola per pavimenti duri (HF)**              | R. Accessori 2 in 1   |
| G. Selettore tipo pavimento                         | S. Mini turbospazzola per rimuovere<br>i peli di animali domestici* |
| H. Alloggiamento tubo in<br>posizione di parcheggio | T. Mini turbospazzola per<br>rimuovere gli allergeni*               |
| I. Pedale di riavvolgimento del cavo                | U. Spazzola Grand Turbo*  |
| J. Corpo principale dell'apparecchio                | V. Spazzola Parquet*  |

## MONTAGGIO DELL'APPARECCHIO

Disimballare tutti i componenti.

- Collegare il tubo flessibile al corpo principale dell'apparecchio, assicurandosi che si agganci e si blocchi in posizione. [1]
- Per disinserire il tubo, è sufficiente premere il pulsante all'estremità del tubo flessibile e tirare per estrarlo.
- Collegare l'impugnatura del tubo flessibile all'estremità superiore della prolunga del tubo [2] o, se necessario, agli accessori.
- Collegare l'estremità inferiore della prolunga del tubo alla spazzola per tappeti e pavimenti [3] o, se necessario, agli accessori.

## UTILIZZO DELL'APPARECCHIO

- Estrarre il cavo di alimentazione e inserirlo in una presa di corrente. Non tirare il cavo oltre l'indicatore rosso. [4]
- Regolare il tubo telescopico all'altezza desiderata spostando verso l'alto il dispositivo di controllo del tubo telescopico e sollevando o abbassando l'impugnatura fino a trovare la posizione di pulizia più confortevole. [5]
- Spazzola per tappeti e pavimenti\*\*. Premere il selettore tipo pavimento sulla spazzola [6] per selezionare la modalità di pulizia ideale per il tipo di superficie da pulire.  
**Pavimento** – Le setole si abbassano per proteggere il pavimento.  
**Tappeto/moquette** – Le setole si sollevano per garantire una pulizia più in profondità.
- Accendere l'apparecchio premendo il pulsante a pedale di accensione/spegnimento sul corpo principale dell'aspirapolvere. [7]
- Posizionare il regolatore di forza aspirante sull'impugnatura al livello desiderato.
- Dopo l'uso, spegnere l'apparecchio premendo il pulsante a pedale di accensione/spegnimento. Staccare la spina e premere il pedale di riavvolgimento del cavo per riavvolgere il cavo di alimentazione nell'aspirapolvere.

## STAZIONAMENTO E PARCHEGGIO

Il tubo e la spazzola possono essere parcheggiati sul retro dell'apparecchio per essere riposti o per uno stazionamento temporaneo durante l'uso.

\*Solo su alcuni modelli

\*\* Solo su alcuni modelli, le spazzole possono variare secondo il modello

## ACCESSORI

Per ottenere prestazioni ottimali ed efficienza energetica<sup>#1</sup>, è consigliato usare le spazzole appropriate per le principali operazioni di pulizia. Queste spazzole sono indicate nel diagramma con le lettere **GP**, **HF** o **CA**.

La spazzola di tipo **GP** è adatta per pulire sia tappeti che pavimenti duri.

La spazzola di tipo **HF** è adatta solo per la pulizia dei pavimenti duri.

La spazzola di tipo **CA** è adatta solo per la pulizia dei tappeti.

Le altre spazzole sono accessorie per operazioni di pulizia speciale e sono raccomandate solo per usi occasionali.

È importante notare che questo aspirapolvere è provvisto di Etichetta Energetica conformemente alla Normativa Europea (EU) 665/2013.

Se l'etichetta riporta a sinistra un cerchio rosso di divieto che ricopre il simbolo del tappeto, significa che l'aspirapolvere non è adatto per la pulizia dei tappeti.

Se l'etichetta riporta a destra un cerchio rosso di divieto che ricopre il simbolo di pavimenti duri, significa che l'aspirapolvere non è adatto per la pulizia dei pavimenti duri.

<sup>#1</sup> **NOTA:** Capacità di raccolta della polvere sui tappeti, capacità di raccolta della polvere sui pavimenti duri ed efficienza energetica conformi alle Normative della Commissione (EU) 665/2013 e (EU) 666/2013.

Tutti gli accessori devono essere inseriti nell'impugnatura del tubo flessibile o all'estremità dei tubi.

**L'accessorio 2 in 1** abbinava diverse funzioni con un unico strumento:

**Bocchetta per fessure** – Per angoli e punti difficili da raggiungere.

**Spazzola a pennello** – Per librerie, cornici, tastiere e altre superfici delicate.

**Mini turbospazzola per rimuovere i peli di animali domestici\*** - utilizzare la mini turbospazzola per la pulizia profonda di superfici tessili e imbottiti e per altre aree difficili. Particolarmente adatta per rimuovere i peli degli animali domestici.

**Mini turbospazzola per rimuovere gli allergeni\*** – utilizzare la mini turbospazzola per la pulizia profonda di superfici tessili e imbottiti e per altre aree difficili. Particolarmente adatta per rimuovere gli allergeni.

**Spazzola Parquet\*** – Per parquet e pavimenti delicati.

**IMPORTANTE:** Non utilizzare la mini turbospazzola su tappeti a frange, pellicce o moquette con pelo di oltre 15 mm. **Non tenere ferma la spazzola sul tappeto con il rullo in rotazione.**

## MANUTENZIONE DELL'APPARECCHIO

### Svuotamento del contenitore raccogli polvere

Quando la polvere raggiunge l'indicatore di livello massimo, svuotare il contenitore raccogli polvere.

**IMPORTANTE:** Per ottenere prestazioni ottimali, non consentire che la polvere si accumuli oltre il livello massimo.

- Spegnere l'apparecchio tramite l'interruttore e staccare la spina.
- Premere il pulsante di sblocco del contenitore e rimuovere il gruppo contenitore dall'apparecchio. [8]
- Con una mano tenere il contenitore raccogli polvere e con l'altra rimuovere il coperchio del contenitore raccogli polvere ruotando in senso antiorario. [9]

4. Rimuovere il gruppo filtro pre-motore dal gruppo contenitore. [10]
5. Rimuovere il condotto d'uscita dal gruppo contenitore. [11]
6. Svuotare la polvere dal contenitore. [12]
7. Rimettere il condotto d'uscita e il gruppo filtro pre-motore nel gruppo contenitore.
8. Rimettere il coperchio contenitore raccogli-polvere sul gruppo contenitore.
9. Chiudere e rimontare sul corpo principale dell'apparecchio.

### Pulizia dei filtri lavabili

L'apparecchio è dotato di filtro pre-motore e filtro in uscita. Per mantenere prestazioni ottimali, rimuovere i filtri e picchiettarli contro il lato del cestino per eliminare la polvere. Il filtro deve essere lavato ogni 5 svuotamenti della cassetta o quando la polvere nel filtro è eccessiva.

**IMPORTANTE: Tutti gli apparecchi senza sacchetto richiedono una regolare pulizia del filtro. La mancata pulizia dei filtri può causare il blocco, il surriscaldamento e il danneggiamento dell'apparecchio. Tutto ciò può invalidare la garanzia.**

**IMPORTANTE:** Controllare i filtri sistematicamente e sottoporli a regolare manutenzione.

**IMPORTANTE:** prima di utilizzare i filtri, accertarsi sempre che siano asciutti.

### Per accedere al filtro:

1. Rimuovere il contenitore raccogli-polvere dell'apparecchio. [8]
2. Con una mano tenere il contenitore raccogli-polvere e con l'altra rimuovere il coperchio del contenitore raccogli-polvere ruotando in senso antiorario. [9]
3. Rimuovere il gruppo filtro pre-motore dal gruppo contenitore. [10]
4. Picchiettare e lavare il filtro pre-motore. Non utilizzare acqua bollente o detergenti. Eliminare l'acqua in eccesso dal filtro e lasciarlo asciugare completamente prima di riutilizzarlo. [13] [17]
5. Una volta asciutto, riassemble il gruppo filtri e rimontarlo sull'apparecchio.

### Per accedere al filtro in uscita:

1. Sganciare il coperchio del filtro in uscita dal retro del corpo principale dell'apparecchio. [14]
2. Rimuovere il filtro in uscita dal retro dell'apparecchio. [15]
3. Picchiettare e lavare il filtro con acqua calda. Non utilizzare acqua bollente o detergenti. Eliminare l'acqua in eccesso dal filtro e lasciarlo asciugare completamente prima di riutilizzarlo. [16] [17]
4. Una volta completamente asciutto, rimontare il filtro in uscita nel retro dell'apparecchio e rimettere il coperchio del filtro in uscita.

**IMPORTANTE:** Non utilizzare il prodotto senza aver prima montato l'unità filtro.

### Pulizia del contenitore raccogli-polvere / unità di separazione

Questo apparecchio utilizza un sistema di separazione esclusivo di Hoover. Se necessario, l'unità di separazione può essere smontata dal contenitore raccogli-polvere e pulita.

1. Premere il pulsante di sblocco del contenitore raccogli-polvere e rimuovere il gruppo contenitore dall'apparecchio. [8]
2. Con una mano tenere il contenitore e con l'altra togliere il coperchio del contenitore raccogli-polvere ruotandolo in senso antiorario. [9]
3. Rimuovere il coperchio del contenitore raccogli-polvere ruotandolo in senso antiorario. Poi estrarre il filtro pre-motore dal gruppo contenitore raccogli-polvere. [10] Quindi, tirare il condotto d'uscita per estrarlo dal contenitore raccogli-polvere. [11]
4. Se necessario, utilizzare un panno per rimuovere la polvere in eccesso dalla superficie del

\*Solo su alcuni modelli

\*\* Solo su alcuni modelli, le spazzole possono variare secondo il modello

condotto d'uscita. Riassemble il componente interni nel contenitore.

5. Rimettere il coperchio contenitore raccogli-polvere sul contenitore raccogli-polvere. Rimontare il contenitore raccogli-polvere sull'apparecchio.

### Rimozione di un'ostruzione

1. Controllare se il contenitore raccogli-polvere è pieno. In questo caso, vedere la sezione "Svuotamento del contenitore raccogli-polvere".
2. Se il contenitore raccogli-polvere non è pieno ma l'aspirazione è ancora scarsa:
  - A. Potrebbe essere necessario pulire i filtri. In questo caso, vedere la sezione "Pulizia dei filtri lavabili".
  - B. Controllare che non vi siano altre ostruzioni nel sistema. - Utilizzare un'asta o un paletto per rimuovere eventuali ostruzioni dai tubi o dal tubo flessibile.
  - C. Verificare la presenza di ostruzioni nella spazzola ed eventualmente rimuoverle
  - D. Verificare se l'unità di separazione debba essere pulita. Vedere "Pulizia dell'unità di separazione".

**AVVERTENZA** - Se l'apparecchio viene utilizzato per un periodo di tempo significativo con blocco, un interruttore termico spegne l'apparecchio per evitare il surriscaldamento. In questi casi, spegnere l'apparecchio, scollegare la spina e risolvere il problema. Occorreranno circa 45 minuti perché l'interruttore automatico si riarmi automaticamente.

### CHECKLIST UTENTE

In caso di problemi, completare questa semplice checklist utente prima di chiamare il centro assistenza Hoover.

- La presa elettrica a cui è collegato l'apparecchio è funzionante? Controllare collegando un altro elettrodomestico.
- Il contenitore raccogli-polvere è pieno? Vedere "Manutenzione dell'apparecchio".
- Il filtro è ostruito? Vedere "Manutenzione dell'apparecchio".
- Il tubo flessibile o la bocchetta sono ostruiti? Vedere la sezione "Rimozione di un'ostruzione dal sistema".
- L'aspirapolvere si è surriscaldato? In questo caso, il reset automatico richiede circa 30 minuti.

### INFORMAZIONI IMPORTANTI

#### Parti di ricambio e di consumo Hoover

Utilizzare sempre parti di ricambio originali Hoover, che è possibile acquistare dal distributore locale Hoover o direttamente sul sito internet Hoover. Quando si ordinano delle parti di ricambio, ricordarsi sempre di fornire il numero di modello dell'apparecchio utilizzato.

#### Qualità

La qualità degli stabilimenti Hoover è stata sottoposta a valutazione indipendente. I nostri prodotti vengono realizzati mediante un sistema di qualità che soddisfa i requisiti ISO 9001.

#### Regolamento per la garanzia

Le condizioni di garanzia relative a questo apparecchio sono definite dal rappresentate Hoover nel Paese di vendita. Per conoscere in dettaglio le condizioni, rivolgersi al distributore Hoover presso il quale l'apparecchio è stato acquistato. Per ogni contestazione ai sensi dei termini della garanzia, è necessario mostrare la fattura o un documento di acquisto equipollente.

Queste condizioni potrebbero venire modificate senza obbligo di preavviso.

## INSTRUCTIES VOOR VEILIG GEBRUIK

Dit toestel mag enkel gebruikt worden voor reiniging in het huis, zoals beschreven in deze gebruikersgids. Zorg ervoor dat u de instructies volledig begrijpt voordat u het apparaat in gebruik neemt.

Laat het toestel nooit aangesloten. Schakel het toestel altijd uit en verwijder de stekker uit het stopcontact na gebruik, of voor het reinigen van het toestel of bij elke onderhoudstaak.

Dit toestel kan gebruikt worden door kinderen vanaf 8 jaar en ouder en personen met verminderde lichamelijke, zintuiglijke of mentale capaciteiten of een gebrek aan ervaring of kennis indien ze toezicht of onderricht gehad hebben betreffende het veilig gebruik van het toestel en het begrip van de gevaren in kwestie. Kinderen mogen niet met het toestel spelen. Reinigings- en gebruiksonderhoud mag niet uitgevoerd worden door kinderen zonder toezicht.

Indien het stroomsnoer beschadigd is, onmiddellijk stoppen met het toestel te gebruiken. Om veiligheidsgevaar te vermijden, mag enkel een erkende HOOVER dienstingenieur de stroomkabel vervangen.

Houd handen, voeten, losse kleding en haar uit de buurt van roterende borstels.

Gebruik enkel verlengstukken, verbruiksartikelen of reserveonderdelen aanbevolen of geleverd door HOOVER.

**Statische elektriciteit:** Sommige tapijten kunnen een kleine opbouw van statische elektriciteit veroorzaken. Ontladingen van statische elektriciteit zijn onschadelijk voor uw gezondheid.

Gebruik je toestel nooit buiten of op natte oppervlaktes of om vocht op te nemen.

Raap geen harde of scherpe objecten op zoals lucifers, hete assen, sigaretten of andere gelijkaardige items.

Spuit niet met ontvlambare vloeistoffen, reinigingsvloeistoffen, aerosols of hun dampen en zuig ze ook niet op.

Loop niet over het stroomsnoer wanneer je het toestel gebruikt of verwijder de stekker niet door aan het stroomsnoer te trekken.

Blijf dit toestel niet gebruiken wanneer het defect blijkt.

**HOOVER dienstverlening:** Om de blijvende veilige en efficiënte werking van dit toestel te verzekeren, bevelen we aan dat alle herstellingen uitgevoerd worden door een erkende HOOVER dienstingenieur.

Niet op het snoer staan of het snoer rond armen of benen winden terwijl je het toestel gebruikt.

Gebruik het toestel niet om dieren of mensen te reinigen.

Plaats het toestel niet boven je tijdens het reinigen van de trap.

### Het milieu

Het symbool op dit toestel duidt aan dat dit toestel niet mag behandeld worden als huishoudelijk afval. In de plaats daarvan moet het overhandigd worden aan het geschikte verzamelpunt voor de recyclage van elektrische en elektronische uitrusting. U moet het toestel weggooien in overeenstemming met de lokale voorschriften voor afvalverwerking. Voor meer gedetailleerde informatie over behandeling, herstel en recyclage van dit toestel, gelieve je lokale gemeentebestuur te contacteren, je dienst voor huishoud- en afvalverwerking of de winkel waar je het toestel kocht.



Dit apparaat voldoet aan de Europese Richtlijnen 2014/35/EU, 2014/30/EU en 2011/65/EU.

HOOVER Limited, Pentrebach, Merthyr Tydfil, Mid Glamorgan, CF48 4TU, UK

## ALLES OVER UW STOFZUIGER

- |                                      |  |
|--------------------------------------|--|
| A. Zuigkrachtregeling                | K. Slang                                     |
| B. Handvat                           | L. Stofbak deksel                            |
| C. Telescopische buis                | M. Stofreservoir                             |
| D. Aan/uit-knop                      | N. Vortex Finder                             |
| E. Uitlaatfilter klep                | O. Pre-motor filter                          |
| F. Tapijt en vloermondstuk (GP)**    | P. Vergrendeling van het stofreservoir       |
| F1. Tapijt Mondstuk. (CA)**          | Q. Uitlaat Filter                            |
| F2. Mondstuk voor harde vloer (HF)** | R. 2-in-1-accessoire                         |
| G. Keuzeknop vloertype               | S. Miniturbozuigmond voor dierenharen*       |
| H. Parkeerstand                      | T. Miniturbozuigmond voor allergene stoffen* |
| I. Snoerprolpedaal                   | U. Grand Turbozuigmond*                      |
| J. Hoofdlichaam Stofzuiger           | V. Parketzuigmond*                           |

## DE STOFZUIGER MONTEREN

Verwijder alle onderdelen uit de verpakking.

1. Steek de slang in de stofzuiger en klik deze erin vast. [1]
2. Verwijderen: druk de knop op het uiteinde van de slang in en trek de slang eruit.
3. Sluit de slanggreep aan op het bovenste uiteinde van de verlengbuis [2] of op de accessoires indien nodig.
4. Sluit het onderste uiteinde van de verlengbuis aan op het tapijt en vloerzuig mondstuk [3] of op de accessoires indien nodig.

## UW STOFZUIGER GEBRUIKEN

1. Trek het netsnoer uit de stofzuiger en steek de stekker in het stopcontact. Trek het snoer niet verder uit dan de rode markering. [4]
2. Stel de telescopische buis in op de gewenste hoogte door de stelknop naar boven te bewegen en het handvat naar boven of naar beneden te bewegen tot hij in de meest comfortabele stand staat. [5]
3. Tapijt en vloermondstuk\*\*. Druk op de keuzeknop op de zuigmond [6] om de juiste stand voor het vloertype in te stellen.
  - Harde vloer** – De borstels wijzen naar beneden en beschermen zo de vloer.
  - Tapijt** – De borstels zijn ingetrokken om zo diep mogelijk te kunnen zuigen.
4. Zet de stofzuiger aan door het aan/uit-pedaal op de stofzuigenheid in te drukken. [7]
5. Stel de zuigregulator op het handvat in op het gewenste niveau.
6. Schakel aan het einde van gebruik uit door te drukken op de aan/uit pedaal. Koppel het snoer los en druk op de spoelpedaal van het snoer om het snoer terug in de reiniger op te winden.

### PARKEER- en OPSLAGSECTIE

De buis en het mondstuk kunnen worden geparkeerd aan de achterzijde van de stofzuiger voor opslag of tijdelijke opslag tijdens gebruik.

\*Alleen bepaalde modellen

\*\* Alleen bepaalde modellen, mondstukken kunnen variëren afhankelijk van het model.

## ACCESSOIRES

Voor optimaal functioneren en energie efficiëntie<sup>#1</sup> is het aan te bevelen dat de juiste mondstukken voor de voornaamste schoonmaak taken worden gebruikt. Deze mondstukken worden in de diagrammen afgebeeld met de letters **GP**, **HF** of **CA**.

Een **GP** type mondstuk kan gebruikt worden voor schoonmaak van zowel tapijt als harde vloer.

Een **HF** type mondstuk is enkel geschikt voor gebruik op harde vloer.

Een **CA** type mondstuk is enkel geschikt voor gebruik op tapijt.

De andere mondstukken zijn accessoires voor gespecialiseerde schoonmaaktaken en worden alleen aanbevolen voor occasioneel gebruik.

Het is belangrijk om op te merken dat deze stofzuiger een Energielabel heeft zoals wordt vereist door Europese Regelgeving (EU) 665/2013.

Als er links op het label over het tapijt symbool een rode verbodcirkel staat, betekent dit dat de stofzuiger niet geschikt is voor gebruik op tapijten.

Als er rechts op het label over het harde vloer symbool een rode cirkel van verbod staat, betekent dit dat de stofzuiger niet geschikt is voor gebruik op harde vloeren.

**#1 OPMERKING:** Stofopname capaciteit tapijt, stofopname capaciteit harde vloer en energie efficiëntie in overeenstemming met Commissie Regelgeving (EU) 665/2013 en (EU) 666/2013.

Alle accessoires kunnen op de handgreep van de slang of op het uiteinde van de buis worden geplaatst.

**2 in 1-hulpstuk** combineert verschillende functies in één hulpstuk:

**Kierenmondstuk** – Voor hoeken en moeilijk bereikbare plaatsen.

**Stofborstel** – Voor boekenrekken, kozijnen, toetsenborden en andere kwetsbare plekken.

**Miniturbozuigmond voor dierenharen\*** - Gebruik het miniturbomondstuk voor trappen of voor het grondig reinigen van textielproducten en andere moeilijk schoon te maken plekken. Vooral geschikt voor het verwijderen van haren van huisdieren.

**Miniturbozuigmond voor allergene stoffen\*** – Gebruik het miniturbomondstuk voor trappen of voor het grondig reinigen van textielproducten en andere moeilijk schoon te maken plekken. Vooral geschikt voor het verwijderen van allergene stoffen.

**Parketzuigmond\*** – Voor parketvloeren en andere kwetsbare vloeren.

**BELANGRIJK:** Gebruik het turbomondstuk en het miniturbomondstuk niet op tapijten met lange franjes, op dierenhuiden of op tapijten dikker dan 15 mm. **Houd het mondstuk niet stil wanneer de borstel draait.**

## ONDERHOUD STOFZUIGER

### De stofcontainer legen

Leeg het stofreservoir zodra het stof de markering 'max. niveau' in het reservoir bereikt.

**BELANGRIJK:** Zorg ervoor dat het stof niet boven het aangegeven maximale niveau uitkomt als u wilt dat uw stofzuiger optimaal werkt.

1. Zet de stofzuiger uit met de hoofdknop en haal de stekker uit het stopcontact.
2. Druk op de stofbak ontgrendelingsknop en verwijder de stofbak montage van de stofzuiger. [8]
3. Houd het stofreservoir vast met één hand, en verwijder het deksel van het stofreservoir door die tegen de klok in te draaien. [9]



4. Verwijder de pre-motor filter assemblage van de stofbak montage. [10]
5. Verwijderde de Vortex Finder van de stofbak montage. [11]
6. Verwijder het stof uit de container [12]
7. Plaats de VortexFinder en pre-motor filter samenstelling terug op de stofbak samenstelling.
8. Plaats het stofbakdeksel terug op de stofbak.
9. Sluit en plaats terug in de hoofdbehuizing van de stofzuiger.

### De wasbare filters reinigen

De stofzuiger is uitgerust met een pre-motorfilter en uitlaatfilter. Voor optimale reinigingsprestaties moet u de filters regelmatig verwijderen en uitkloppen tegen de zijkant van een vuilnisbak, om zo het stof eruit te verwijderen. De filters moeten elke 5 cassette legingen worden gewassen of wanneer de filters te veel stof bevatten.

**BELANGRIJK: Bij alle zakloze stofzuigers moeten de filters regelmatig worden gereinigd. Het niet reinigen van de filters kan leiden tot verstopping, oververhitting en storing van het product. Hierdoor kan uw garantie komen te vervallen.**

**BELANGRIJK:** Controleer en reinig de filters regelmatig.

**BELANGRIJK:** Zorg er voor gebruik altijd voor dat het filterelement helemaal droog is.

### Voor toegang tot de filters:

1. Verwijder het stofreservoir van de stofzuiger. [8]
2. Houd het stofreservoir vast met één hand, en verwijder het deksel van het stofreservoir door die tegen de klok in te draaien. [9]
3. Verwijder de pre-motor filter assemblage van de stofbak montage. [10]
4. Voorzichtig op de pre-motor filter tikken en deze wassen. Gebruik geen heet water of schoonmaakmiddelen. Verwijder het overtollige water uit het filter en laat hem helemaal opdrogen alvorens hem opnieuw te gebruiken. [13] [17]
5. Eenmaal volledig droog, hermonteer de pre-motor samenstelling en plaats terug in de stofzuiger.

### Voor toegang tot het uitlaatfilter:

1. Klik het deksel van de uitlaatfilter los van de achterzijde van de stofzuiger. [14]
2. Verwijder het uitlaatfilter van de achterkant van de stofzuiger. [15]
3. Tik voorzichtig op de filter en spoel deze vervolgens met warm water schoon. Gebruik geen heet water of schoonmaakmiddelen. Verwijder het overtollige water uit het filter en laat hem helemaal opdrogen alvorens hem opnieuw te gebruiken. [16] [17]
4. Eenmaal volledig droog, plaats de uitlaatfilter terug op de achterzijde van de stofzuiger en plaats het deksel van de uitlaatfilter terug.

**BELANGRIJK:** Gebruik het product niet zonder filterpakket.

### Het schoonmaken van de stofcontainer/ scheidingseenheid

Deze stofzuiger is uitgerust met een separatie-eenheid dat uniek is voor Hoover. Indien nodig kan de scheidingseenheid losgemaakt worden van het stofreservoir en kan gereinigd worden.

1. Druk op de stofbakontgrendelingsknop en verwijder de stofbak van de stofzuiger. [8]
2. Houd de stofbak vast met één hand, en verwijder met de andere hand het deksel van het stofreservoir door tegen de klok in te draaien. [9]
3. Verwijder het deksel van het stofreservoir door tegen de klok in te draaien. En verwijder de pre-motor filter van de stofbak. [10] En maak dan de Vortex Finder los van de stofbak door te trekken. [11]

\*Alleen bepaalde modellen

\*\* Alleen bepaalde modellen, mondstukken kunnen variëren afhankelijk van het model.

4. Gebruik indien nodig een doekje om stof te verwijderen van het oppervlak van de Vortex Finder. Hermonteer de interne componenten aan de stofbak.
5. Hermonteer het stofbakdeksel op het stofreservoir. Plaats het stofreservoir terug op de stofzuiger.

### Een verstopping verwijderen

1. Controleer of het stofreservoir vol is. Zo ja, zie 'Het stofreservoir legen'.
2. Wanneer het stofreservoir leeg is, maar de zuigkracht nog steeds niet voldoende is:
  - A. Moeten de filters worden gereinigd? Zo ja, zie 'Wasbare filters reinigen'.
  - B. Controleer of niets het systeem blokkeert. - Gebruik een staaf of stok om eventuele verstoppingen uit de buis of zuigslang te verwijderen.
  - C. Controleer en verwijder eventueel blokkeringen in het mondstuk
  - D. Controleer of de scheidingseenheid gereinigd moet worden. Zie 'Reinigen van de separatie-eenheid'.

**WAARSCHUWING** - Als de stofzuiger langere tijd met een verstopping wordt gebruikt, dan schakelt de stofzuiger door een thermische beveiliging uit om oververhitting te voorkomen. Als dit gebeurt, schakelt u de stofzuiger uit, haalt u de stekker uit het stopcontact en corrigeert u de fout. Het duurt ongeveer 45 minuten voordat de beveiliging automatisch wordt uitgeschakeld.

## CHECKLIST GEBRUIKER

Mocht u problemen ondervinden met dit product, loop dan deze eenvoudige checklist na voordat u uw Hoover dealer belt.

- Krijgt de stofzuiger wel stroom? Controleer dit met een ander elektrisch toestel.
- Is het stofreservoir vol? Zie 'Onderhoud stofzuiger'.
- Is de filter verstopt? Zie 'Onderhoud stofzuiger'.
- Is de slang of de zuigmond geblokkeerd? Zie 'Verstoppingen uit het systeem verwijderen'.
- Is de stofzuiger oververhit? Zo ja, dan duurt het ongeveer dertig minuten voordat het toestel weer klaar is voor gebruik.

## BELANGRIJKE INFORMATIE

### Originele reserveonderdelen en toebehoren van Hoover

Gebruik uitsluitend originele reserveonderdelen van Hoover. Deze zijn verkrijgbaar bij uw Hoover Dealer. Als u onderdelen bestelt, vermeld dan altijd het modelnummer.

### Kwaliteit

De fabrieken van Hoover zijn op onafhankelijke wijze getest op kwaliteit. Onze producten worden vervaardigd aan de hand van een kwaliteitssysteem dat voldoet aan de vereisten van ISO 9001.

### Uw garantie

De garantievoorwaarden voor dit toestel worden bepaald door onze vertegenwoordiger in het land waar het toestel wordt verkocht. Bijzonderheden omtrent deze voorwaarden zijn verkrijgbaar bij de dealer waar u het toestel hebt gekocht. Wanneer u aanspraak wilt maken op deze garantie, dan moet u het verkoop- of ontvangstbewijs voorleggen.

Wijzigingen zijn zonder voorafgaande kennisgeving mogelijk.

## INSTRUÇÕES PARA UMA UTILIZAÇÃO SEGURA

Este aparelho só deve ser utilizado para limpeza doméstica, conforme descrito neste guia do utilizador. Certifique-se de que este manual é totalmente compreendido antes de utilizar o aparelho.

Não deixe o aparelho ligado. Desligue sempre o aparelho e retire a ficha da tomada após a utilização ou antes de o limpar ou executar qualquer tarefa de manutenção.

Este aparelho pode ser utilizado por crianças com idade igual ou superior a 8 anos e por pessoas com capacidades mentais, sensoriais e físicas reduzidas ou sem experiência e conhecimento caso lhes sejam fornecidas instruções e supervisão relativas à utilização do aparelho de modo seguro e caso compreendam os perigos envolvidos. As crianças não devem brincar com o aparelho. A limpeza e a manutenção não devem ser efectuada por crianças sem supervisão.

Se o cabo de alimentação estiver danificado deixe de utilizar o aparelho imediatamente. Para evitar um perigo para a segurança, deve ser um técnico de assistência Hoover a substituir o cabo de alimentação.

Mantenha as mãos, os pés, as roupas largas e o cabelo longe das escovas rotativas.

Utilize exclusivamente acessórios, peças sobressalentes ou consumíveis recomendados ou fornecidos pela HOOVER.

**Electricidade estática:** Algumas alcatifas podem provocar uma pequena acumulação de electricidade estática. A descarga de electricidade estática não constitui qualquer perigo para a saúde.

Não utilize o aparelho no exterior, em superfícies húmidas ou para aspirar líquidos.

Não aspire objectos duros ou afiados, fósforos, cinzas quentes, pontas de cigarro ou outros itens semelhantes.

Não pulverize nem aspire líquidos inflamáveis, líquidos de limpeza, aerossóis ou respectivos vapores.

Não passe por cima do cabo de alimentação ao utilizar o aspirador nem retire a ficha puxando pelo cabo de alimentação.

Não continue a utilizar o aparelho se este parecer defeituoso.

**Assistência HOOVER:** Para assegurar o funcionamento seguro e eficiente deste aparelho, recomendamos que todas as intervenções de assistência ou reparação sejam efectuadas apenas por um técnico de assistência autorizado da Hoover.

Não permaneça em cima do cabo de alimentação nem o enrole à volta das pernas ou braços ao utilizar o aparelho.

Não utilize o aparelho para limpar pessoas ou animais.

Não posicione o aparelho num nível superior aquele em que se encontra ao limpar escadas.

### Ambiente

O símbolo no aparelho indica que este não pode ser tratado como resíduo doméstico. Pelo contrário, deve ser encaminhado para o ponto de recolha aplicável para reciclagem de equipamento eléctrico e electrónico. A eliminação deve ser realizada em conformidade com as leis ambientais locais relativas à eliminação de resíduos. Para obter informações mais detalhadas sobre o tratamento, recuperação e reciclagem deste produto, contacte as autoridades locais, o serviço de eliminação de resíduos domésticos ou a loja onde adquiriu o produto.



Este aparelho está em conformidade com as Diretivas Europeias 2014/35/EU, 2014/30/EU e 2011/65/EU.

HOOVER Limited, Pentrebach, Merthyr Tydfil, Mid Glamorgan, CF48 4TU, UK

## APRESENTAÇÃO DO ASPIRADOR

- |   |  |
|---|--|
| A. Regulador de Sucção                  | K. Tubo flexível                                 |
| B. Pega do tubo flexível                | L. Tapa do depósito de pó                        |
| C. Tubo Telescópico                     | M. Depósito de pó                                |
| D. Pedal Ligar/Desligar                 | N. Localizador em espiral                        |
| E. Tapa do filtro de escape             | O. Filtro do pré-motor                           |
| F. Escova para pisos e alcatifas (GP)** | P. Trinco do Depósito de Pó                      |
| F1. Escova para alcatifas (CA)**        | Q. Filtro do escape                              |
| F2. Escova para pavimentos duros (HF)** | R. Acessório 2 em 1                              |
| G. Selector tipo de pavimentos          | S. Escova para remover pêlos de animais*         |
| H. Ranhura de Arrumação                 | T. Mini escova turbo para remoção de alergéneos* |
| I. Pedal de recolha do cabo             | U. Escova grande turbo*                          |
| J. Corpo principal do aspirador         | V. Escova para parquet*                          |

## MONTAGEM DO ASPIRADOR

Retire todos os componentes da embalagem.

1. Ligue o tubo flexível ao corpo principal do aspirador, certificando-se de que encaixa e fica bem fixo. [1]
2. Para soltar: basta premir o botão na extremidade da mangueira e puxar.
3. Ligue o pega do tubo flexível à extremidade superior do tubo de extensão [2] ou os acessórios, se for necessário.
4. Ligue a extremidade inferior do tubo de extensão à escova para pisos e alcatifa [3] ou os acessórios, se for necessário.

## UTILIZAR O SEU ASPIRADOR

1. Extraia o cabo de alimentação e ligue-o na fonte de alimentação. Não puxe o cabo para além do marcador vermelho. [4]
2. Regule o tubo telescópico para o comprimento pretendido segurando o dispositivo de ajuste do tubo telescópico e suba ou desça o punho para a posição de limpeza mais confortável. [5]
3. Escova para pavimentos e alcatifas\*\*. Pressione o selector para piso na escova [6] para seleccionar o modo de limpeza ideal para o tipo do seu pavimento.
  - Pavimentos duros** – Baixar as escovas para proteger o soalho.
  - Alcatifas** – Levantar as escovas para uma limpeza em profundidade.
4. Ligue o aspirador premindo o pedal ligar/desligar no corpo principal do aspirador. [7]
5. Ajuste o regulador de sucção na pega até ao nível pretendido.
6. Desligue no final da utilização pressionando o pedal ligar/desligar. Desligue e prima o pedal de recolha do cabo para enrolar o cabo de alimentação no aspirador.

## SECÇÃO DE DESCANSO E ARRUMAÇÃO

O tubo e a escova podem ser armazenados de forma temporária ou permanentes na parte posterior do aspirador durante a sua utilização.

\*Apenas em alguns modelos

\*\* Apenas alguns modelos, as escovas podem variar dependendo do modelo

## ACESSÓRIOS

Para obter o melhor desempenho e eficiência energética<sup>#1</sup> é recomendada a utilização das escovas correctas para as principais operações de limpeza. As escovas estão indicadas nos diagramas pelas letras **GP, HF** ou **CA**.

Uma escova do tipo **GP** pode ser utilizada para limpar alcatifas e pisos duros.

Uma escova do tipo **HF** é adequada para utilização apenas em pisos duros.

Uma escova do tipo **CA** é adequada para utilização apenas em alcatifas

As restantes escovas são acessórios para tarefas de limpeza especializadas e são recomendadas apenas para utilização ocasional.

É importante notar que este aspirador é fornecido com uma Etiqueta Energética conforme requerido pelo Regulamento Europeu (EU) 665/2013.

Se a etiqueta mostrar um círculo de proibição vermelho à esquerda a cobrir o símbolo de alcatifa, significa que o aspirador não é adequado para utilização em alcatifas.

Se a etiqueta mostrar um círculo de proibição vermelho à direita a cobrir o símbolo de piso duro, significa que o aspirador não é adequado para utilização em pisos duros

<sup>#1</sup> **NOTA:** A capacidade de remoção do pó em alcatifas, a capacidade de remoção do pó em pisos duros e a eficiência energética estão de acordo com os Regulamentos da Comissão (EU) 665/2013 e (EU) 666/2013.

Todos os acessórios podem ser montados na pega da mangueira ou na extremidade dos tubos.

A **ferramenta 2 em 1** combina várias funções numa única ferramenta:

**Acessório para fendas** – Para cantos e áreas difíceis de alcançar.

**Escova para pó** – Para estantes de livros, molduras, teclados e outras áreas delicadas.

**Escova para remover pêlos de animais\*** - Utilize a mini escova turbo em escadas ou para uma limpeza em profundidade de tecidos e outras áreas mais difíceis. Especialmente adequada para a remoção de pêlos de animais.

**Mini escova turbo para remoção de alergéneos\*** – Utilize a mini escova turbo em escadas ou para uma limpeza em profundidade de tecidos e outras áreas mais difíceis. Especialmente adequada para a remoção de alergéneos.

**Escova para parquet\*** – Para pavimentos de parquet e outros pavimentos delicados.

**IMPORTANTE:** Não utilize a mini-escova turbo em tapetes com franjas muito compridas, abrigos de animais e alcatifas com uma profundidade de pêlo superior a 15 mm. **Não mantenha a escova parado enquanto está em rotação.**

## MANUTENÇÃO DO ASPIRADOR

### Esvaziar o depósito de pó

Quando o pó atinge o indicador de nível máximo no depósito, este deve ser esvaziado.

**IMPORTANTE:** Para manter o melhor desempenho, não permita que o pó ultrapasse o nível máximo.

1. Desligue o aspirador com o interruptor principal e retire o cabo de alimentação.
2. Prima o trinco do depósito e retire o conjunto do depósito do aspirador. [8]
3. Segure o depósito de pó com uma mão e retire a tampa do depósito de pó ao rodá-la para a esquerda. [9]
4. Retire o conjunto do filtro do pré-motor do conjunto do depósito. [10]

5. Retire o Localizador em espiral do conjunto do depósito. [11]
6. Retire o pó do depósito. [12]
7. Instale novamente o localizador em espiral e o conjunto do filtro do pré-motor no conjunto do depósito.
8. Instale novamente a tampa do depósito de pó no conjunto do depósito.
9. Feche e instale novamente no corpo principal do aspirador.

### Limpar os filtros laváveis

O aspirador vem com um filtro de pré-motor e um filtro do exaustor. Para manter um óptimo desempenho de limpeza, os filtros devem ser retirados regularmente e batidos contra a parte lateral do cesto de lixo para libertar o pó. Os filtros devem ser lavados a cada 5 rolos vazios ou quando o filtro apresenta um nível de sujidade excessivo.

**IMPORTANTE: Todos os aspiradores sem saco necessitam de limpeza regular do filtro. Se não limpar os seus filtros isto poderá resultar num bloqueio de ar, sobreaquecimento ou falha do produto. Isto poderá tornar a sua garantia inválida.**

**IMPORTANTE:** Efectue regularmente a verificação e manutenção dos filtros.

**IMPORTANTE:** Verifique sempre se a unidade do filtro está completamente seca.

#### Para aceder ao filtro:

1. Retire o depósito de pó do aspirador. [8]
2. Segure o depósito de pó com uma mão e retire a tampa do depósito de pó ao rodá-la para a esquerda. [9]
3. Retire o conjunto do filtro do pré-motor do conjunto do depósito. [10]
4. Bata cuidadosamente e lave o filtro do pré-motor. Não utilize água quente nem detergentes. Remova o excesso de água do filtro e deixe secar completamente antes de usar de novo. [13] [17]
5. Instale novamente o conjunto do filtro do pré-motor assim que estiver totalmente seco no aspirador.

#### Para aceder ao filtro de exaustão:

1. Desengate a tampa do filtro de escape da parte posterior do corpo principal do aspirador. [14]
2. Retire o filtro de escape da parte posterior do aspirador. [15]
3. Bata suavemente e lave o filtro com água morna. Não utilize água quente nem detergentes. Remova o excesso de água do filtro e deixe secar completamente antes de usar de novo. [16] [17]
4. Instale novamente o filtro de escape da parte posterior do aspirador assim que estiver totalmente seco, bem como a tampa do filtro de escape.

**IMPORTANTE:** Não utilize o aspirador sem a unidade do filtro colocada.

### Limpar o contentor de pó / a unidade de separação

Este aspirador utiliza o sistema de separação, único da Hoover. Se necessário, a unidade de separação pode ser desmontada do depósito do pó para ser limpa.

1. Pressione o trinco do depósito de pó e retire o conjunto do depósito do aspirador. [8]
2. Segure no depósito com uma mão e com a outra mão retire a tampa do depósito de pó ao rodar para a esquerda. [9]
3. Retire a tampa do depósito de pó ao rodá-la para a esquerda. Retire o filtro do pré-motor do conjunto do depósito de pó. [10] Em seguida, puxe o localizador em espiral do depósito de pó. [11]

\*Apenas em alguns modelos

\*\* Apenas alguns modelos, as escovas podem variar dependendo do modelo

4. Se for necessário, utilize um pano para retirar a sujidade em excesso da superfície do localizador em espiral. Monte novamente os componentes internos no depósito.
5. Monte novamente a tampa do depósito de pó no último. Recoloque o cesto de lixo no aspirador.

### Remover uma obstrução

1. Verifique se o depósito de pó está cheio. Caso esteja, consulte a secção "Esvaziar o depósito de pó".
2. Se o depósito de pó está vazio mas a aspiração continua fraca:
  - A. Os filtros necessitam de limpeza? Caso esteja, consulte a secção "Limpar os filtros laváveis".
  - B. Caso esteja, consulte a secção "Esvaziar o depósito de pó". - Utilize uma vareta ou um cano para remover qualquer obstrução dos tubos telescópico ou flexível.
  - C. Verifique e limpe qualquer obstrução na escova
  - D. Verifique se a unidade de separação necessita de ser limpa. Consulte "Limpar a unidade de separação".

**ATENÇÃO** - Se o aspirador for utilizado durante muito tempo com uma obstrução, um corte térmico desliga o aspirador automaticamente para evitar o sobreaquecimento. Caso tal se verifique, desligue o aspirador, desligue o cabo da corrente e corrija o problema. O corta-circuito demora cerca de 45 minutos a ser reposto automaticamente.

## LISTA DE VERIFICAÇÃO DO UTILIZADOR

Se tiver algum problema com o aparelho, preencha esta simples lista de verificação do utilizador antes de chamar o serviço de assistência Hoover local.

- O aspirador tem alimentação de corrente? Verifique com outro aparelho eléctrico.
- O depósito de pó está demasiado cheio? Consulte "Manutenção do Aspirador".
- O filtro está entupido? Consulte "Manutenção do Aspirador".
- O tubo flexível ou o bocal estão entupidos? Ver capítulo "Remover uma obstrução do sistema".
- O aspirador apresenta sobreaquecimento? Em caso afirmativo, a reposição automática ocorrerá passados cerca de 30 minutos.

## INFORMAÇÕES IMPORTANTES

### Peças sobressalentes e consumíveis Hoover

Substitua sempre as peças por peças sobressalentes Hoover genuínas. Pode obtê-las junto do seu representante local ou directamente da Hoover. Quando encomendar peças, mencione sempre o número do seu modelo.

### Qualidade

A qualidade das instalações industriais da Hoover foi avaliada de forma independente. Os nossos produtos são fabricados de acordo com um sistema de qualidade que satisfaz os requisitos da norma ISO 9001.

### Garantia

As condições de garantia para este aparelho são as definidas pelo nosso representante no país onde foi vendido. Pode obter detalhes sobre estas condições junto do agente a quem adquiriu o aparelho. A factura de venda ou o recibo deverão ser entregues quando apresentar uma reclamação ao abrigo dos termos da garantia.

Sujeito a alteração sem aviso prévio.

## INSTRUCCIONES PARA UN USO SEGURO

Este aparato sólo debe utilizarse para la limpieza doméstica habitual, como se describe en este manual de usuario. Asegúrese de haber comprendido todo el contenido de este manual antes de poner en funcionamiento el aparato.

No deje enchufado el aparato. Apague y desenchufe siempre el aparato antes de limpiarlo o de realizar cualquier labor de mantenimiento.

Este aparato puede ser usado por niños de 8 años en adelante y personas con capacidades físicas, sensoriales o mentales reducidas o falta de experiencia y conocimiento bajo supervisión y con una explicación de las instrucciones con respecto al uso del aparato de manera segura y que comprendan los riesgos implicados. Los niños no deben jugar con el aparato. Los niños no deben limpiar ni dar mantenimiento sin supervisión.

Si el cable de alimentación está dañado, deje de utilizar el aparato inmediatamente. Para evitar peligros de seguridad, profesionales del servicio técnico de Hoover deben reemplazar el cable de alimentación.

Mantener lejos de los cepillos rotatorios pies, manos, ropa suelta y cabellos.

Utilizar únicamente accesorios, consumibles o recambios recomendados o suministrados por HOOVER.

**Electricidad estática:** Algunas alfombras pueden provocar una pequeña acumulación de electricidad estática. Las descargas estáticas no son peligrosas para la salud.

No utilice el aparato al aire libre, en superficies húmedas o para recoger líquidos.

No aspire objetos duros o afilados, cerillas, ceniza candente, colillas de cigarrillo u objetos similares.

No rocíe ni aspire líquidos inflamables, aerosoles para limpiar o sus vapores.

No pase por encima del cable de alimentación cuando utilice el aparato ni lo desenchufe tirando del cable.

No siga utilizando su aparato si parece tener algún defecto.

**Servicio Técnico HOOVER:** Para garantizar el funcionamiento seguro y eficaz del aparato, recomendamos que las tareas de mantenimiento y reparación sean realizadas exclusivamente por profesionales autorizados del servicio técnico de Hoover.

No pise el cable ni lo enrolle en los brazos ni en las piernas al utilizar el aparato.

No utilice el aparato en personas ni animales.

No sitúe el aparato por encima de usted cuando esté limpiando las escaleras.

### El Medio Ambiente:

El símbolo que puede verse en el producto indica que éste no puede tratarse como residuo doméstico. En su lugar, se debe entregar en un punto de recogida de electrodomésticos para el reciclaje de equipos eléctricos y electrónicos. La eliminación debe llevarse a cabo según los reglamentos medioambientales locales sobre eliminación de residuos. Para información más detallada sobre el tratamiento, la recuperación y el reciclaje de este aparato, póngase en contacto con su Ayuntamiento, su servicio de recogida de residuos domésticos o con el establecimiento donde haya comprado el producto.



**CE** Este electrodoméstico cumple con las Directivas Europeas 2014/35/UE, 2014/30/UE y 2011/65/UE.

HOOVER Limited, Pentrebach, Merthyr Tydfil, Mid Glamorgan, CF48 4TU, UK

## INFORMACIÓN SOBRE SU ASPIRADOR

- |  |  |
|--|--|
| A. Regulador de succión                  | K. Manguera  |
| B. Manguera con mango                    | L. Tapa del depósito de suciedad                   |
| C. Tubo telescópico                      | M. Depósito de suciedad                            |
| D. Pedal de encendido/apagado            | N. Conducto de salida                              |
| E. Tapa del filtro de salida             | O. Filtro Pre-motor:                               |
| F. Tobera para alfombras y suelos (GP)** | P. Pulsador desbloqueo contenedor recolector polvo |
| F1. Tobera para alfombras (CA)**         | Q. Filtro de Descarga                              |
| F2. Tobera para suelos duros (HF)**      | R. Accesorio 2 en 1                                |
| G. Selector de tipo de pisos             | S. Mini Tobera Tubo Pet Hair Remover*              |
| H. Parking                               | T. Tobera Mini Turbo eliminación alérgenos*        |
| I. Pedal recoge cable                    | U. Maxi Tobera Turbo*                              |
| J. Cuerpo principal del aparato          | V. Tobera Parquet*                                 |

## MONTAJE DEL ASPIRADOR

Saque todas las piezas del embalaje.

1. Conecte la manguera a la estructura central del aspirador, asegurándose de que quede encajado y bien sujeto en su sitio. [1]
2. Para sacar la manguera: solo hay que ejercer presión sobre el botón que se encuentran en el extremo de la manguera y tirar.
3. Conecte la empuñadura de la manguera al extremo superior del tubo de extensión [2] o de ser necesario los accesorios.
4. Conecte el extremo inferior del tubo de extensión a la tobera para alfombras y suelos [3] o de ser necesario los accesorios.

## USO DEL ASPIRADOR

1. Extraiga el cable de alimentación y enchúfelo a la toma de corriente. No debe continuar tirando cuando llegue a la marca roja. [4]
2. Regule el tubo telescópico a la altura deseada desplazando hacia arriba el regulador del tubo telescópico y levantando o bajando la empuñadura hasta encontrar la posición de limpieza más cómoda. [5]
3. Tobera para alfombras y suelos\*\*. Pulse el selector del tipo de pisos en la tobera [6] para seleccionar el modo de limpieza ideal.
 

**Suelos duros** – Los cepillos bajan para proteger el suelo.

**Alfombra** – Los cepillos se elevan para una limpieza a fondo.
4. Encienda el aspirador pulsando el pedal de encendido/apagado en el cuerpo principal del aspirador. [7]
5. Ajuste el regulador de succión ubicado en el mango en el nivel deseado.
6. Apague el aparato tras su uso pulsando el pedal de encendido/apagado. Desenchufe y accione el pedal para enrollar el cable de alimentación en el aspirador.

## SECCIÓN DE ESTACIONAMIENTO Y ALMACENAMIENTO

El tubo y la tobera se pueden colocar en la parte trasera del aspirador para almacenarlos o colocarlos temporalmente durante el uso.

\*Sólo para algunos modelos

\*\* Sólo para algunos modelos, las toberas pueden variar según modelo.

## ACCESORIOS

Para obtener el mejor rendimiento y eficiencia energética #1 se recomienda utilizar toberas adecuadas para las principales operaciones de limpieza. Estas toberas se indican en los diagramas con las letras **GP**, **HF** o **CA**.

Una tobera de tipo **GP** se puede utilizar para limpiar tanto alfombras como suelos duros.

Una tobera de tipo **HF** es adecuada sólo para la limpieza de suelos duros.

Una tobera de tipo **CA** es adecuada sólo para la limpieza de alfombras.

Las demás toberas son accesorios para efectuar tareas de limpieza especializadas y se recomiendan sólo para un uso ocasional.

Es importante indicar que este aspirador se suministra con una etiqueta energética de conformidad con el reglamento europeo (UE) 665/2013.

Si en la etiqueta aparece un círculo rojo de prohibición en el lado izquierdo, cubriendo el símbolo de la alfombra, esto indica que el aspirador no es adecuado para utilizarse en alfombras.

Si en la etiqueta aparece un círculo rojo de prohibición en el lado derecho, cubriendo el símbolo de suelo duro, esto indica que el aspirador no es adecuado para utilizarse en suelos duros.

#1 **NOTA:** La capacidad de recogida de polvo de las alfombras, la capacidad de recogida de polvo de los suelos duros y la eficiencia energética son de conformidad con los reglamentos de la Comisión (UE) 665/2013 y (UE) 666/2013.

Todos los accesorios pueden instalarse en la empuñadura de la manguera o en el extremo de los tubos.

**Herramienta 2 en 1** que combina varias funciones en un solo utensilio:

**Accesorio rincones** – Para rincones y zonas de difícil acceso.

**Cepillo para polvo** – Para estanterías, marcos, teclados y demás áreas delicadas.

**Mini Tobera Tubo Pet Hair Remover\*** - Emplee la mini tobera turbo para la limpieza de escaleras o para la limpieza a fondo de tejidos y demás áreas difíciles de limpiar. Particularmente adecuada para eliminar los pelos de los animales domésticos.

**Tobera Mini Turbo eliminación alérgenos\*** – Emplee la mini tobera turbo para la limpieza de escaleras o para la limpieza a fondo de tejidos y demás áreas difíciles de limpiar. Particularmente adecuada para eliminar los alérgenos.

**Tobera Parquet\*** – Para suelos de parqué y demás suelos delicados.

**IMPORTANTE:** No utilice la mini tobera turbo para alfombras que tengan flecos largos, estén hechas de piel animal, ni sean de pelo de un espesor superior a 15 mm. **No mantenga la tobera inmóvil mientras el cepillo esté girando.**

## MANTENIMIENTO DEL ASPIRADOR

### Vaciado del depósito de suciedad

Vacíe el depósito de suciedad cuando la suciedad acumulada llegue al indicador de máximo nivel del depósito.

**IMPORTANTE:** Para que su aspirador mantenga un rendimiento óptimo, no deje que la suciedad acumulada supere el nivel máximo.

1. Apague la aspiradora con el interruptor principal y desconecte el cable de energía.
2. Pulse el botón de liberación del depósito y extraiga el depósito del aspirador. [8]
3. Sostenga con una mano el depósito de suciedad y extraiga la tapa de dicho depósito de suciedad girando en sentido contrario a las agujas del reloj. [9]

4. Extraiga el montaje del filtro pre-motor del depósito. [10]
5. Extraiga el conducto de salida del ensamblaje del depósito. [11]
6. Vacíe el polvo en el cubo de basura. [12]
7. Vuelva a encajar el conducto de salida y el montaje del filtro pre-motor en el ensamblaje del depósito.
8. Vuelva a encajar la tapa del depósito de suciedad en el ensamblaje del depósito.
9. Cierre y vuelva a encajar en el cuerpo principal del aspirador.

### Limpeza de los filtros lavables

En aspirador incluye un filtro premotor y un filtro de salida. Para que su aspirador mantenga un rendimiento óptimo debe extraer con regularidad los filtros y sacudirlos contra el lateral de una papelería para desincrustar la suciedad. Los filtros se deben lavar cada 5 vaciados del recipiente lleno o cuando el filtro tenga un nivel de suciedad excesivo.

**IMPORTANTE: Todos los aspiradores sin bolsa requieren una limpieza regular de los filtros. De no hacerlo, sus filtros pueden producir bloqueos de aire, recalentamiento y fallos en el producto; lo cual además puede hacer invalidar la garantía.**

**IMPORTANTE:** Compruebe los filtros con regularidad y manténgalos en buen estado.

**IMPORTANTE:** Cerciórese siempre de que el paquete de filtros esté completamente seco antes de utilizarlo de nuevo.

#### Para acceder al filtro:

1. Extraiga el depósito de suciedad del aspirador. [8]
2. Sostenga con una mano el depósito de suciedad y extraiga la tapa de dicho depósito de suciedad girando en sentido contrario a las agujas del reloj. [9]
3. Extraiga el montaje del filtro pre-motor del depósito. [10]
4. Golpee levemente y lave el filtro pre-motor. No usar agua hirviendo o detergentes. Eliminar el exceso de agua del filtro y dejar que se seque completamente antes de usarlo nuevamente. [13] [17]
5. Vuelva a montar el grupo del filtro pre-motor una vez que esté totalmente seco y vuelva a encajar en el aspirador.

#### Para acceder al filtro:

1. Desenganche la cubierta del filtro de salida de aire de la parte trasera del cuerpo principal del aspirador. [14]
2. Extraiga el filtro de salida de aire de la parte trasera del aspirador. [15]
3. Golpear levemente y lavar el filtro utilizando agua templada. No usar agua hirviendo o detergentes. Eliminar el exceso de agua del filtro y dejar que se seque completamente antes de usarlo nuevamente. [16] [17]
4. Vuelva a encajar el filtro de salida de aire en la parte trasera del aspirador una vez que esté completamente seco y vuelva a encajar la cubierta del filtro de salida de aire.

**IMPORTANTE:** No utilice el aparato si el paquete de filtros no está instalado.

### Limpeza del contenedor de polvo / unidad de separación

Este equipo usa el sistema ciclón exclusivo de Hoover. Si es necesario, la unidad se puede desmontar del contenedor recolector de polvo para ser limpiada.

1. Pulse el botón de desenganche del depósito de suciedad y extraiga el grupo recolector del aspirador. [8]
2. Sostenga el recolector con una mano y con la otra extraiga la tapa del depósito de suciedad girando en sentido contrario a las agujas del reloj. [9]
3. Extraiga la tapa del depósito de suciedad girando en sentido contrario a las agujas del reloj. Extraiga el filtro pre-motor del grupo del depósito de suciedad. [10] Luego, hale y extraiga el conducto de salida del depósito de suciedad. [11]

\*Sólo para algunos modelos

\*\* Sólo para algunos modelos, las toberas pueden variar según modelo.

4. De ser necesario, utilice un paño para eliminar el polvo excesivo de la superficie del conducto de salida. Vuelva a montar los componentes internos en el recolector.
5. Vuelva a montar la tapa del depósito de suciedad en dicho depósito de suciedad. Montar nuevamente el contenedor recolector polvo en el equipo.

### Eliminación de obstrucciones

1. Compruebe si el depósito de suciedad está lleno. En caso afirmativo, consulte el apartado "Vaciado del depósito de suciedad".
2. Si el depósito está lleno y la potencia de aspirado es aún baja
  - A. ¿Cabe la posibilidad de que sea preciso limpiar los filtros? En caso afirmativo, consulte el apartado "Limpeza de los filtros lavables".
  - B. Compruebe si existe alguna otra obstrucción en el sistema - Utilice una varilla o una barra para eliminar cualquier obstrucción de los tubos o de la manguera.
  - C. Revise y despeje cualquier obstrucción de la boquilla/tobera
  - D. Comprobar si es necesario limpiar la unidad multiciclónica. Ver "Limpeza de la unidad ciclón"

**ADVERTENCIA** - Si el aspirador se utiliza por un largo rato con obstrucciones, un corte térmico apagará el aspirador para evitar que éste se recaliente. De ocurrir esto, apague el aspirador, desenchúfelo y repare el fallo. Tardará unos 45 minutos en reiniciarse automáticamente.

## LISTA DE COMPROBACIONES QUE DEBE REALIZAR EL USUARIO

Si surgiera algún problema con el producto, lleve a cabo las sencillas comprobaciones que se enumeran a continuación antes de llamar a su Servicio Técnico Hoover más cercano.

- ¿Hay suministro de corriente para el aspirador? Pruebe con otro aparato eléctrico.
- ¿El contenedor recolector de polvo está lleno? Remítase al capítulo "Mantenimiento del Aspirador".
- ¿Está obstruido el filtro? Remítase al capítulo "Mantenimiento del Aspirador".
- ¿Está obstruida la manguera o la tobera? Remítase al capítulo "Eliminación de obstrucciones en el sistema".
- ¿Se ha recalentado el aspirador? En caso afirmativo, tardará aproximadamente 30 minutos en reiniciarse automáticamente.

## INFORMACIÓN IMPORTANTE

### Piezas de repuesto y consumibles de Hoover

Utilice siempre piezas de repuesto originales de Hoover. Puede adquirirlas a través de su Servicio Técnico de Hoover. Cuando realice pedidos de piezas, indique siempre el número de modelo que posee.

### Calidad

Las fábricas de Hoover han sido sometidas a inspecciones de calidad independientes. Nuestros productos se fabrican de conformidad con un sistema de calidad que cumple los requisitos de la norma ISO 9001.

### Su garantía

Las condiciones de garantía para este aparato vienen definidas por nuestro representante en el país de venta. Puede obtener los detalles acerca de estas condiciones en el establecimiento donde haya comprado este aparato. Debe mostrarse la factura de compra o el recibo al hacer alguna reclamación en virtud de las condiciones de garantía.

Sujeto a cambios sin previo aviso.

## INSTRUKTIONER FOR SIKKER ANVENDELSE

Denne støvsuger må kun anvendes til almindelig husholdningsrengøring, som beskrevet i brugsanvisningen. Du bør sikre dig, at du har forstået indholdet af denne brugervejledning fuldt ud, inden apparatet tages i brug.

Efterlad ikke støvsugeren tilsluttet. Inden du rengør eller foretager vedligeholdelse af støvsugeren, skal du altid slukke for den og tage stikket ud af stikkontakten.

Dette udstyr kan anvendes af børn, der er 8 år gamle og derover, og af personer med nedsatte fysiske, sensoriske eller mentale evner eller manglende erfaring og viden, hvis de er under opsyn eller vejledning i at bruge udstyret på en sikker måde og forstår de risici, der er involveret. Børn må ikke lege med udstyret. Rengøring og vedligeholdelse må ikke udføres af børn uden en voksen tilstede.

Hvis netledningen er ødelagt, skal du stoppe med at bruge støvsugeren øjeblikkeligt. For at undgå en sikkerhedsrisiko, skal en autoriseret HOOVER servicetekniker udskifte strømkablet.

Hold hænder, fødder, løstsiddende tøj og hår væk fra roterende børster.

Brug kun tilbehør, forbrugsvarer eller reservedele, som anbefalet eller leveret af Hoover.

**Statisk elektricitet:** Visse tæpper kan forårsage en mindre akkumulering af statisk elektricitet. Udledning af statisk elektricitet er ikke sundhedsfarligt.

Brug ikke støvsugeren udendørs eller på våde overflader eller til opugning af væsker.

Undlad at opsuge hårde eller skarpe genstande, tændstikker, varm aske, cigaretstumper eller andre lignende genstande.

Undlad at sprøjte med eller opsuge brændbare væsker, rensesæsker, spraydåser eller spray fra disse.

Undlad at køre over strømkablet når du bruger din støvsuger og undlad at trække stikket ud ved at trække i strømkablet, men hold fast i stikket.

Lad være med at fortsætte at bruge støvsugeren, hvis den ser ud til at være defekt.

**HOOVER-SERVICE:** For at sikre løbende sikker og effektiv drift af dette apparat anbefaler vi, at eftersyn eller reparationer udelukkende udføres af en autoriseret Hoover-servicetekniker.

Snur hverken ledningen om arme eller ben eller stå på den, mens du bruger støvsugeren.

Undlad at bruge apparatet på at rengøre mennesker eller dyr.

Undlad at lade støvsugeren stå oven for dig, når du rengør trapper.

### Miljøet

Symbolet på produktet angiver, at produktet ikke må behandles som husholdningsaffald. Det skal i stedet afleveres til en relevant affaldsstation for genbrug af elektrisk og elektronisk udstyr. Bortskaffelse skal ske i overensstemmelse med de lokale miljøregler vedrørende bortskaffelse af affald. For mere detaljeret information om behandling, genvinding og genbrug af dette produkt, henvend dig da til den lokale kommune, til dit affaldsselskab eller den forretning hvor du købte produktet.



Dette apparat overholder bestemmelserne i EU-direktiverne 2014/35/EU, 2014/30/EU og 2011/65/EU.

HOOVER Limited, Pentrebach, Merthyr Tydfil, Mid Glamorgan, CF48 4TU, UK



## KEND DIN STØVSUGER

- |                                       |   |
|---------------------------------------|---|
| A. Sugekontrol                        | K. Slange                               |
| B. Håndtag                            | L. Låg på støvbeholder                  |
| C. Teleskoprør                        | M. Støvbeholder                         |
| D. Tænd/sluk-pedalknap                | N. Hvirvelfinder                        |
| E. Dæksel til udsugningsfilter        | O. Præ-Motor Filter                     |
| F. Tæppe- og gulvmundstykke (GP)**    | P. Udløsningsknap til støvbeholder      |
| F1. Tæppemundstykke (CA)**            | Q. Udsugningsfilter                     |
| F2. Mundstykke til hårde gulve (HF)** | R. 2i1 tilbehør                         |
| G. Gulvtypevælger                     | S. Mini-turbomundstykke til dyrehår*    |
| H. Parkeringslås                      | T. Mini-turbomundstykke til allergener* |
| I. Pedalknap til ledningsoprulning    | U. Stort turbomundstykke*               |
| J. Støvsugerens hoveddel              | V. Parketgulvs mundstykke*              |

## MONTERING AF STØVSUGEREN

Udtag alle komponenter fra emballagen.

1. Tilslut slangen til støvsugerens hoveddel, og sørg for, at den klikker og låses på plads. [1]
2. Sådan tages den af: tryk blot på knappen knappen for enden af slangen, og træk.
3. Tilslut slangens håndtag til øvre ende af forlængerrøret [2] eller evt. andet tilbehør, hvis det er nødvendigt.
4. Tilslut forlængerrørets nedre del til tæppe- eller gulvmundstykket [3] eller andet tilbehør, hvis det er nødvendigt.

## BRUG AF STØVSUGEREN

1. Træk strømledningen ud, og sæt den i stikkontakten. Træk ikke ledningen længere ud end det røde mærke. [4]
2. Indstil teleskoprøret i den ønskede højde ved at skubbe teleskoprørets justeringsanordning opad og løfte eller sænke håndtaget til den ønskede rengøringsposition. [5]
3. Tæppe- og gulvmundstykke\*\*. Tryk på gulvtypevælgeren på mundstykket [6] for at vælge den ideelle indstilling afhængig af gulvtypen.  
**Hårdt gulv** – Børsterne sænkes for at beskytte gulvet.  
**Tæppe** – Børsterne hæves for den dybegående rengøring.
4. Sluk for støvsugerens ved at trykke på tænd/sluk-knappen på støvsugerens korpus. [7]
5. Justér sugekontrollen på håndtaget til det ønskede niveau.
6. Sluk efter brug ved at trykke på tænd/sluk-pedalknappen. Træk stikket ud af stikkontakten, og tryk på pedalen til ledningsoprulning for at rulle ledningen tilbage i støvsugerens.

## AFSNIT OM OPBEVARING

Røret og mundstykket kan placeres på bagsiden af støvsugerens under opbevaring eller under midlertidigt pause i brugen.

\*Kun til visse modeller

\*\* Kun på visse modeller kan mundstykkerne variere alt efter modeltype

## TILBEHØR

For at opnå den bedste ydeevne og effektive udnyttelse af energien <sup>#1</sup>, anbefales det at de korrekte mundstykker anvendes til de vigtigste rengøringsformål. Disse mundstykker er vist i illustrationerne ved bogstaverne **GP**, **HF** og **CA**.

Mundstykke typen **GP** anvendes for at rengøre både tæpper og hårde gulve.

Mundstykke typen **HF** er kun velegnet til brug på hårde gulve.

Et mundstykke af typen **CA** er kun velegnet på tæpper

De andre mundstykker er tilbehør for specielle rengøringsopgaver og er kun anbefalede til lejlighedsvis anvendelse.

Det er vigtigt at være opmærksom på at denne støvsuger er forsynet med Energimærke som påkrævet ved Europæisk Bekendtgørelse (EU) 665/2013.

Hvis etiketten viser en rød forbudscirkel til venstre, der dækker symbolet for tæpper, indikerer dette, at støvsugerens ikke er velegnet til brug på tæpper.

Hvis etiketten viser en rød forbudscirkel til højre, der dækker symbolet for hårde gulve, indikerer dette, at støvsugerens ikke er velegnet til brug på hårde gulve.

**#1 BEMÆRK:** Evnen til at suge støv op fra tæpper, evnen til at suge støv op fra hårde gulve og energimærkning er i overensstemmelse med Kommissionens Bekendtgørelser (EU) 665/2+13 og (EU) 666/2013

Alt tilbehør kan monteres på håndtaget eller rørene.

2i1 værktøj kombinerer flere funktioner i ét værktøj:

**Sprækkeværktøj** – Til hjørner og områder, der er vanskelige at komme til.

**Støvbørste** – Til bogreoler, rammer, tastaturer og andre sarte områder.

**Mini-turbomundstykke til dyrehår\*** - Brug mini-turbomundstykket på trapper eller til rengøring af tekstiloverflader i dybden og andre områder, der er svære at rengøre. Især velegnet til fjernelse af dyrehår.

**Mini-turbomundstykke til allergener\*** – Brug mini-turbomundstykket på trapper eller til rengøring af tekstiloverflader i dybden og andre områder, der er svære at rengøre. Især velegnet til fjernelse af allergener.

**Parketgulvs mundstykke\*** – Til parketgulve og andre sarte gulve.

**VIGTIGT:** Brug ikke turbo- og mini-turbomundstykket på tæpper med lange frynser, skind og på tæppefliser, der er dybere end 15 mm. **Hold ikke mundstykket stille, mens børsten roterer.**

## VEDLIGEHOLDELSE AF STØVSUGEREN

### Tømning af støvbeholderen

Når støvet når maksimumsindikatoren i beholderen, skal støvbeholderen tømmes.

**VIGTIGT:** For at opnå optimal ydelse må støvet ikke nå højere end til maks.niveauet.

1. Sluk støvsugerens på hovedkontakten og tag ledningen ud.
2. Tryk på beholderudløserknappen og fjern skraldespanden fra støvsugerens. [8]
3. Hold støvbeholderen med én hånd og fjern låget til støvbeholderen ved at dreje det mod uret. [9]
4. Fjern præmotorfilteret fra skraldespanden. [10]

5. Fjern hvirvelfinderen fra skraldespanden. [11]
6. Tøm støvet fra skraldespanden. [12]
7. Sæt hvirvelfinderen og præmotorfilteret tilbage på skraldespanden.
8. Sæt låget til støvbeholderen tilbage på skraldespanden.
9. Luk og sæt den tilbage på støvsugerens hoveddel.

### Rengøring af de vaskbare filtre

Støvsugeren er udstyret med en for-motor og udblæsningsfilter. For at bevare den optimale rengøringsydelse skal filtrene regelmæssigt fjernes og bankes mod siden af skraldespanden for at frigive støv. Filtrene skal vaskes efter 5 tømninger af kassetten, eller når filtrene indeholder større mængder støv.

**VIGTIGT: Alle poseløse støvsuger kræver regelmæssig rensning af filtre. Hvis du ikke renser din filtre, kan det resultere i luftblokering, overophedning og beskadigelse af produktet. Dette kan gøre din garanti ugyldig.**

**VIGTIGT:** Kontroller og vedligehold filtrene regelmæssigt.

**VIGTIGT:** Sørg altid for, at filterpakken er helt tør før brug.

### Adgang til filteret:

1. Fjern støvbeholderen fra støvsugeren. [8]
2. Hold støvbeholderen med én hånd og fjern låget til støvbeholderen ved at dreje det mod uret. [9]
3. Fjern præmotorfilteret fra skraldespanden. [10]
4. Bank forsigtigt filteret og vask det. Brug ikke meget varmt vand eller rengøringsmidler. Fjern det overskydende vand fra filteret, og lad det tørre helt, før det genbruges. [13] [17]
5. Genmonter præmotorfilteret når det er helt tørt og sæt det tilbage på støvsugeren.

### Adgang til udblæsningsfilteret:

1. Afhægt dækslet til udblæsningsfiltret fra bagenden af støvsugerens hoveddel. [14]
2. Fjern udsugningsfilteret fra støvsugerens bagende. [15]
3. Bank filteret forsigtigt, og vask det med varmt vand. Brug ikke meget varmt vand eller rengøringsmidler. Fjern det overskydende vand fra filteret, og lad det tørre helt, før det genbruges. [16] [17]
4. Sæt udsugningsfilteret tilbage på støvsugerens bagende, når det er helt tørt og sæt dækslet til udsugningsfilteret på igen.

**VIGTIGT:** Produktet må ikke bruges uden filterpakken monteret.

### Rengøring af støvbeholderen / separeringsenheden

Denne støvsuger har en separeringsenhed, som kun findes hos Hoover. Hvis det er nødvendigt, kan separeringsenheden afmonteres fra støvbeholderen og rengøres.

1. Tryk på støvbeholderens udløserknop og fjern skraldespanden fra støvsugeren. [8]
2. Hold støvsugeren i en hånd og fjern låget til støvbeholderen med den anden hånd ved at dreje det mod uret. [9]
3. Fjern låget til støvbeholderen ved at dreje det mod uret. Og fjern præmotorfilteret fra støvbeholderen. [10] Og dernæst fjern hvirvelfinderen fra støvbeholderen ved at trække. [11]
4. Brug en klud til at fjerne overskydende støv fra overfladen af hvirvelfinderen, hvis det er nødvendigt. Saml alle de indvendige dele til støvsugeren.
5. Genmonter låget på støvbeholderen. Sæt skraldespanden på støvsugeren.

\*Kun til visse modeller

\*\* Kun på visse modeller kan mundstykkerne variere alt efter modeltype

### Fjernelse af en tilstopning

1. Kontroller, om støvbeholderen er fuld. Hvis det er tilfældet, skal du se "Tømning af støvbeholderen".
2. Hvis støvbeholderen er tom, men suget stadig er lavt:
  - A. Trænger filtrene til at blive rensede? Hvis det er tilfældet, skal du se "Rensning af de vaskbare filtre".
  - B. Kontrollér, om der er andre tilstopninger i systemet - Brug en pind for at fjerne eventuel blokering fra rørene eller slangen.
  - C. Tjek om der er mundstykket blokeret og fjernblokaden.
  - D. Kontroller, om separeringsenheden skal renses. Se "Rengøring af separeringsenheden".

**ADVARSEL** - Hvis støvsugeren bruges i længere tid med en blokering, vil en varmeafbryder slukke støvsugeren for at forhindre overophedning. Hvis dette forekommer, sluk for rengøringsmaskinen, træk stikket ud og ret fejlen. Det vil tage ca. 45 minutter før overbelastningssikringen nulstiller sig automatisk.

### BRUGERENS CHECKLISTE

Hvis du får et problem med produktet, skal du udfylde denne enkle brugercheckliste, før du ringer til den lokale Hoover-service.

- Virker strømforsyningen til støvsugeren? Kontroller venligst på et andet elektrisk apparat.
- Er støvbeholderen overfyldt? Se venligst under "Vedligeholdelse af støvsugeren".
- Er filteret tilstoppet? Se venligst under "Vedligeholdelse af støvsugeren".
- Er slangen eller mundstykket tilstoppet? Se "Sådan fjerner du en tilstopning fra systemet".
- Er støvsugeren overophedet? Hvis den er, vil det vare ca. 30 minutter at nulstille automatisk.

### VIGTIGE OPLYSNINGER

#### Hoover-reservedele og -forbrugsvarer

Udkift altid dele med ægte Hoover reservedele. Disse fås fra Hoovers reservedelsforhandler, check [www.hoover.dk](http://www.hoover.dk) Når du bestiller dele, skal du altid opgive modelnummer.

#### Kvalitet

Hoovers fabrikker er blevet vurderet uafhængigt for kvalitet. Vores produkter fremstilles med brug af et kvalitetssystem, der opfylder kravene i henhold til ISO 9001.

#### Din reklamationsret

Garantibetingelserne for dette apparat er som defineret af vores repræsentant i det land, hvor det er solgt. Oplysninger vedrørende disse betingelser kan indhentes hos den forhandler, apparatet er købt hos. Kvitteringen skal fremvises i forbindelse med ethvert krav under disse garantibetingelser.

Ret til ændringer uden varsel forbeholdes

## INSTRUKSJONER FOR SIKKER BRUK

Dette apparatet må kun brukes til husrengjøring, og slik denne bruksanvisningen beskriver. Sørg for at denne veiledningene er forstått fullstendig før du bruker apparatet.

Apparatet må ikke forlates mens det er tilkoblet strømnettet. Slå alltid av apparatet og koble fra støpselet etter bruk samt før apparatet rengjøres eller vedlikeholdes.

Apparatet kan brukes av barn fra 8 år, og av personer med nedsatte fysiske, sanselige eller mentale evner, eller manglende erfaring og kunnskap, dersom de er under oppsyn eller har fått opplæring i sikker bruk av apparatet og forstår farene bruk av apparatet kan medføre. Barn skal ikke leke med apparatet. Rengjøring og vedlikehold skal ikke utføres av barn uten oppsyn.

Bruken av apparatet må opphøre umiddelbart dersom strømledningen er skadet. Unngå sikkerhetsfarer ved å la en autorisert HOOVER-tekniker skifte ut strømledningen.

Hold hender, føtter, løse klær og hår unna roterende børster.

Bruk kun tilbehør, forbruksvarer eller reservedeler som anbefales eller leveres av HOOVER.

**Statisk elektrisitet:** Enkelte tepper kan bygge opp små mengder statisk elektrisitet. Utladning av statisk elektrisitet er ikke helseskadelig.

Du må ikke bruke apparatet utendørs, på våte overflater eller til å støvsuge væske.

Du må ikke støvsuge harde eller skarpe objekter, varm aske, sigarettneiper eller andre liknende gjenstander.

NO

Apparatet må ikke utsettes for eller støvsuge opp brennbare væsker, rengjøringsmidler, aerosoler eller damp fra slike væsker.

Unngå å kjøre over ledningen eller trekke ut støpselet under bruk.

All bruk av apparatet må opphøre hvis det viser tegn på feilfunksjon.

**HOOVER-service:** For å sikre at apparatet fortsetter å fungerer på en trygg og effektiv måte, anbefaler vi at service- og reparasjonsarbeid kun utføres av autoriserte HOVER-teknikere.

Du må ikke stå på ledningen eller la den vikle seg rundt armene eller bena dine under bruk.

Du må ikke bruke apparatet til å rengjøre dyr eller mennesker.

Apparatet må ikke være plassert ovenfor deg under rengjøring av trapper.

### Miljøet

Symbolet på dette apparatet indikerer at det ikke kan betraktes som husholdningsavfall. Ved avhending må apparatet overleveres til en egnet miljøstasjon for resirkulering av elektrisk og elektronisk utstyr. Avhendingen må gjennomføres i samsvar med lokale miljøforskrifter for avfallshåndtering. Du kan få mer detaljert informasjon om avfallsbehandling, gjenvinning og resirkulering av dette apparatet ved å ta kontakt med vårt nærmeste lokalkontor, renovasjonsetaten eller forretningen du kjøpte apparatet hos.



Dette apparatet er i overensstemmelse med EU-direktivene 2014/35/EU, 2014/30/EU og 2011/65/EU.

HOOVER Limited, Pentrebach, Merthyr Tydfil, Mid Glamorgan, CF48 4TU, UK

## BLI KJENT MED STØVSUGEREN DIN

- |  |                                      |
|--|--------------------------------------|
| A. Sugeregulator                       | K. Slange                            |
| B. Håndtak                             | L. Støvbeholderlokk                  |
| C. Teleskopør                          | M. Støvbeholder                      |
| D. På/av-knapp                         | N. Vortex-finner                     |
| E. Avgassfilterets deksel              | O. Pre-motor filter                  |
| F. Munnstykke til teppe og gulv (GP)** | P. Utløserknapp for støvbeholder     |
| F1. Munnstykke for harde gulv (CA)**   | Q. Avgassfilter                      |
| F2. Dyse for harde gulv (HF)**         | R. 2-i-1-tilbehør                    |
| G. Gulvtypevelger                      | S. Miniturbomunnstykke for dyrehår*  |
| H. Parkeringsspor                      | T. Miniturbomunnstykke for allergen* |
| I. Fotpedal for innrulling av ledning  | U. Stort turbomunnstykke*            |
| J. Rengjøringsapparatets hoveddel      | V. Munnstykke for parkett*           |

## MONTERE STØVSUGEREN

Fjern alle komponenter fra emballasjen.

1. Koble slangen til støvsugerens hoveddel, og påse at den smetter på plass og låses fast. [1]
2. For å utløse: trykk inn knappen på slangen og trekk.
3. Koble slangehåndtaket til det den øvre enden av forlengelsesrøret [2], eller tilbehør, hvis nødvendig.
4. Koble forlengelsesrørets nedre del til teppe- og gulvmunnstykket, [3] eller tilbehør, hvis nødvendig.

## BRUK AV APPARATET

1. Trekk ut strømledningen og sett den inn i stikkkontakten. Ikke trekk ledningen utover det røde merket. [4]
2. Juster teleskopørret til ønsket høyde ved å bevege teleskopørjusteringen oppover og heve eller senke håndtaket for å gi en mest mulig komfortabel rengjøringsposisjon. [5]
3. Munnstykke til teppe og gulv\*\*. Trykk på gulvtypevelgeren på munnstykket [6] for å velge ideell rensemodus for gulvtypen.
  - Hardt gulv** – Børstene senkes for å beskytte gulvet.
  - Teppe** – Børstene heves for dyp rengjøring.
4. Skru på støvsugerens ved å trykke på av/på-knappen på støvsugerens. [7]
5. Juster sugeregulatoren på håndtaket til ønsket nivå.
6. Slå av apparatet ved å trykke på av/på-pedalen på enden. Koble fra støpselet og trykk på pedalen for innrulling av ledningen for å trekke ledningen inn i støvsugerens.

## AVSNITT OM PARKERING OG OPPBEVARING

Røret og munnstykket kan plasseres bak på rengjøringsapparatet for lagring eller midlertidig lagring under bruk.

\*Bare enkelte modeller \*\* Kun for enkelte modeller. Munnstykkene kan variere fra modell til modell

## TILBEHØR

For å oppnå optimal ytelse og energieffektivitet <sup>#1</sup> anbefales det at det brukes riktig munnstykke for de største rengjøringsjobbene. Munnstykkene indikeres i diagrammene med bokstavene **GP**, **HF** eller **CA**.

Et **GP**-munnstykke kan brukes til å støvsuge både tepper og harde gulv.

Et **HF**-munnstykke egner seg kun for bruk på harde gulv.

Et **CA**-munnstykke egner seg kun for bruk på tepper.

De andre munnstykkene er tilbehør for spesialiserte rengjøringjobber. Det anbefales kun å bruke disse til spesialiserte oppgaver.

Det er viktig å merke seg at denne støvsugerens leveres med en energietikett, slik det kreves av EU-forskrift (EU) 665/2013.

Hvis etiketten viser en rød "forbudt"-sirkel over teppesymbolet på venstre side, betyr dette at støvsugerens ikke er egnet for bruk på tepper.

Hvis etiketten viser en rød "forbudt"-sirkel over symbolet for harde gulv på høyre side, betyr dette at støvsugerens ikke er egnet for bruk på harde gulv.

<sup>#1</sup> **MERK:** Evne til å støvsuge på tepper, evne til å støvsuge på harde gulv og energieffektivitet i henhold til kommisjonsforordningene (EU) 665/2013 og (EU) 666/2013.

Alt tilbehør kan monteres på slangehåndtaket eller på enden på rørene.

**2-i-1-verktøy** kombinerer flere funksjoner i ett verktøy:

**flatt munnstykke**, – til hjørner og steder som er vanskelige å komme til.

**støvbørste** – for bokhyller, rammer, tastatur og andre ømfintlige områder.

**Miniturbomunnstykke for dyrehår\*** - Bruk miniturbomunnstykket i trapper eller for dyp rengjøring av tekstiler og andre områder som er vanskelige å rengjøre. Er spesielt godt egnet til fjerning av dyrehår.

**Miniturbomunnstykke for allergen\*** – Bruk miniturbomunnstykket i trapper eller for dyp rengjøring av tekstiler og andre områder som er vanskelige å rengjøre. Er spesielt godt egnet til fjerning av allergener.

**Munnstykke for parkett\*** – for parkettgulv og andre ømtålige gulv.

**VIKTIG:** Ikke bruk turbo- og miniturbomunnstykkene på tepper med lange frynser, dyreskinn eller på tepper med en tråddybde på mer enn 15 mm. **Munnstykket må holdes i stadig bevegelse mens børsten roterer.**

## VEDLIKEHOLD AV STØVSUGEREN

### Tømme støvbeholderen

Når støvet når indikatoren for maksimalnivået i beholderen, må støvbeholderen tømmes.

**VIKTIG:** For å vedlikeholde optimal ytelse, ikke la støvmengden komme høyere opp enn maksimalnivået.

1. Slå av støvsugerens med hovedbryteren og trekk ut strømkabelen.
2. Trykk på utløserknappen for avfallsbeholderen, og fjern avfallsbeholderen fra rengjøringsapparatet. [8]
3. Hold støvbeholderen med én hånd og ta av støvbeholderlokket ved å dreie det mot klokken. [9]

4. Ta formotorfilteret ut av avfallsbeholderen. [10]
5. Ta Vortex-finner ut av avfallsbeholderen. [11]
6. Tøm ut støvet fra beholderen. [12]
7. Sett Vortex-finner og formotorfilteret tilbake på avfallsbeholderen.
8. Sett støvbeholderlokket tilbake på avfallsbeholderen.
9. Lukk og sett på plass rengjøringsapparatets hoveddel.

### Rengjøre de vaskbare filterne

Støvsugeren er montert med en pre-motor og et avgassfilter. For å oppnå optimal rengjøring regelmessig, fjern filterne og bank forsiktig mot siden av en søppelbøtte for å frigjøre støvet. Filtene skal vaskes for hver 5. gang de tømmes, eller når støvnivået er for høyt.

**VIKTIG: Alle poseløse rengjøringsmaskiner trenger regelmessig rens av filterne. Manglende rengjøring av filterne kan resultere i tilstopping av luft, overopphetning og produktsvikt. Dette kan gjøre garantien ugyldig.**

**VIKTIG:** Jevnlig kontroller og oppretthold filterne.

**VIKTIG:** Påse alltid at filterpakken er fullstendig tørr før bruk.

### Gjør følgende for å få tilgang til filteret:

1. Fjern støvbeholderen fra rengjøringsapparatet. [8]
2. Hold støvbeholderen med én hånd og ta av støvbeholderlokket ved å dreie det mot klokken. [9]
3. Ta formotorfilteret ut av avfallsbeholderen. [10]
4. Bank forsiktig på og vask pre-motor-filteret. Ikke bruk for varmt vann eller vaskemidler. Tørk bort overflødig vann fra filteret, og la det tørke helt før du bruker det på nytt. [13] [17]
5. Settsammenformotorfilteretsåsnartdeterhellettørt,ogsettdettilbakeirengjøringsapparatet.

### Gjør følgende for å få tilgang til utsugingsfilteret:

1. Løsne utslippsfilterdekslet fra baksiden av rengjøringsapparatets hoveddel. [14]
2. Ta utslippsfilteret ut fra rengjøringsapparatets bakside. [15]
3. Bank forsiktig på filteret og vask det med varmt vann. Ikke bruk for varmt vann eller vaskemidler. Tørk bort overflødig vann fra filteret, og la det tørke helt før du bruker det på nytt. [16] [17]
4. Sett utslippsfilteret tilbake på baksiden av rengjøringsapparatet så snart det er helt tørt, og sett utslippsfilterdekslet tilbake på plass.

**VIKTIG:** Ikke bruk produktet uten montert filterpakke.

### Rengjøre støvbeholderen / separasjonsenheten

Denne støvsugeren bruker et separasjonssystem som kun brukes av Hoover. Separasjonsenheten kan om nødvendig løsnes fra støvbeholderen for å rengjøres.

1. Trykk på støvbeholderens utløserknapp og ta avfallsbeholderen ut av rengjøringsapparatet. [8]
2. Hold avfallsbeholderen med en hånd og ta at støvbeholderlokket ved å rotere det mot klokken. [9]
3. Ta av støvbeholderlokket ved å rotere det mot klokken. Deretter tar du formotorfilteret ut av støvbeholderen. [10] Deretter tar du Vortex-finner ut av støvbeholderen ved å trekke i den. [11]
4. Om nødvendig kan du bruke en klut for å fjerne overskytende støv fra Vortex Finders overflate. Sett sammen de indre komponentene til avfallsbeholderen.
5. Sett støvbeholderens lokk tilbake på støvbeholderen. Sett støvbeholderen tilbake på

\*Bare enkelte modeller

\*\* Kun for enkelte mdeller. Munnstykkene kan variere fra modell til modell

støvsugeren.

### Fjerne en tilstopping

1. Kontroller om støvbeholderen er full. Hvis det er tilfellet, sjekk "Tømme støvbeholderen".
2. Hvis støvbeholderen er tom men sugekraften er dårlig:
  - A. Trenger filteret å bli rensset? Hvis det er tilfellet, sjekk "Rense de vaskbare filterene".
  - B. Kontroller om det finnes andre tilstoppinger i systemet - Bruk en stake eller annen lang gjenstand til å fjerne tilstoppingen fra rørene eller slangen.
  - C. Se etter og klarer eventuelle blokkeringer i dysen
  - D. Kontroller om separasjonsenheten trenger å rengjøres. Se kapittelet "Rengjør separasjonsenheten".

**ADVARSEL:** - Hvis støvsugeren blir brukt i en utstrakt periode med tilstopping, vil en varmesikring slå av støvsugeren for å hindre overoppheting. Hvis dette skulle skje, slå støvsugeren av, koble fra og rett feilen. Det vil ta omtrent 45 minutter for at nedstengingen skal automatisk nullstilles.

### SJEKKLISTE FOR BRUKER

Hvis du har problemer med produktet, går du gjennom denne enkle kontrollisten før du ringer ditt lokale Hoover-servicekontor.

- Får støvsugeren tilført strøm? Prøv å koble annet elektrisk utstyr til stikkkontakten.
- Er støvbeholderen overfylt? Vennligst sjekk "Vedlikehold av Støvsugeren".
- Er filteret blokkert? Vennligst sjekk "Vedlikehold av Støvsugeren".
- Er slangen eller munnstykket blokkert? Vennligst sjekk "Fjern en blokkering fra systemet".
- Har støvsugeren blitt overopphetet? Hvis det er tilfellet vil det ta omtrent 30 minutter før den blir automatisk nullstilt.

### VIKTIG INFORMASJON

#### Reservodeler og tilbehør fra Hoover

Bruk alltid originale deler fra Hoover. Disse er tilgjengelige fra din lokale Hoover-forhandler eller direkte fra Hoover. Når du bestiller deler, må du alltid oppgi modellnummeret ditt.

#### Kvalitet

Hoovers fabrikker har blitt uavhengig kvalitetsvurdert. Våre produkter produseres ved å bruke et kvalitetssystem som er i samsvar med ISO 9001.

#### Din garanti

Garantibetingelsene for dette apparatet er som definert av vår representant i det landet der det ble solgt. Detaljer vedrørende disse betingelsene fås fra forhandleren der apparatet ble kjøpt. Salgskvitteringen må fremvises ved fremsetting av krav under betingelsene i denne garantien..

Kan endres uten forvarsel.

## INSTRUKTIONER FÖR SÄKER ANVÄNDNING

Som beskrivs i denna bruksanvisning, får denna apparat endast användas vid städning av hemmet. Se till att du förstår anvisningarna helt innan du börjar använda maskinen.

Lämna aldrig denna apparat inkopplad. Stäng alltid av apparaten och dra ut kontakten ur vägguttaget efter användning eller innan rengöring av produkten eller utföring av en underhållsåtgärd.

Den här apparaten kan användas av barn från 8 års ålder och personer med en nedsatt fysisk, sensorisk eller mental förmåga och som inte har den erfarenhet och kunskaper som behövs, förutsatt att de övervakas eller har fått instruktioner om hur apparaten används på ett säkert vis och förstår riskerna som är involverade. Barn får inte leka med apparaten. Rengöring och underhåll som användaren ska utföra, får inte göras av barn utan överinseende.

Om nätsladden är skadad, sluta då omedelbart att använda produkten. För att undvika en säkerhetsrisker, måste en auktoriserad servicetekniker från HOOVER byta nätsladden.

Håll händer, fötter, lösa klädesplagg och hår borta från roterande borstar.

Använd endast tillbehör, förbrukningsartiklar eller reservdelar som rekommenderas eller levererats av HOOVER.

**Statisk elektricitet:** Vissa mattor kan orsaka en liten uppbyggnad av statisk elektricitet. Elektrostatiske urladdningar är inte hälsofarliga.

Använd inte apparaten ut ur dörrar eller på något vått underlag eller för våtupptagning.

Plocka inte upp hårda eller vassa föremål, tändstickor, het aska,

fimpar eller andra liknande föremål.

Plocka inte upp eller spraya med brandfarliga vätskor, rengöringsmedel, aerosoler eller ångor.

Kör inte över sladden när du använder apparaten eller dra ut kontakten genom att dra i sladden.

Fortsätt inte att använda apparaten om den verkar defekt.

**HOOVER service:** För att säkerställa en fortsatt säker och effektiv drift av denna apparat rekommenderar vi att service eller reparationer endast utförs av en auktoriserad servicetekniker från HOOVER.

Stå inte på sladden eller vira den runt armar eller ben när du använder apparaten.

Använd inte apparaten för att rengöra djur eller människor.

Placera inte apparaten ovanför dig när du rengör trappor.

### Miljön

Symbolen på apparaten indikerar att denna produkt inte får behandlas som hushållsavfall. Den måste i stället lämnas in på uppsamlingsplats för återvinning av elektrisk och elektronisk utrustning. Avfallshanteringen ska utföras enligt de lokala miljöbestämmelserna. För mer information om hantering, återvinning och återanvändning av denna produkt, kontakta din kommun, lokala myndigheter och renhållningsverk eller den butik där du köpte apparaten.



Denna apparat uppfyller de europeiska direktiven 2014/35/EU, 2014/30/EU och 2011/65/EU.

HOOVER Limited, Pentrebach, Merthyr Tydfil, Mid Glamorgan, CF48 4TU, UK

## BEKANTA DIG MED DAMMSUGAREN

- |                                     |   |
|-------------------------------------|---|
| A. Sugreglerare                     | L. Lock till dammbehållaren                       |
| B. Handtag                          | M. Dammbehållare                                  |
| C. Teleskoprör                      | N. Vortex Finder                                  |
| D. På/av-pedal                      | O. Förmotorfilter                                 |
| E. Skydd för utblåsningsfilter      | P. Knapp för frigörande av dammbehållare          |
| F. Matt- och golvmunstycke (GP)**   | Q. Utblåsningsfilter                              |
| F1. Munstycke för mattor (CA)**     | R. 2-i-1-tillbehör                                |
| F2. Munstycke för hårda golv (HF)** | S. Miniturbomunstycke för borttagning av djurhår* |
| G. Golvtypväljare                   | T. Allergenavlägsnande miniturbomunstycke*        |
| H. Förvaringsplats                  | U. Stort turbomunstycke*                          |
| I. Pedal till sladdvinda            | V. Parkettmunstycke*                              |
| J. Huvuddel                         |   |
| K. Slang                            |   |

## SÄTTA IHOP DAMMSUGAREN

Ta ur alla delar ur förpackningen.

1. Koppla i slangen i dammsugarkroppen och se till så att den knäpper i läge. [1]
2. För att ta loss: tryck bara ned knappen på slangänden och dra.
3. Koppla slanghandtaget till förlängningsrörets övre ände [2] eller tillbehör om så krävs.
4. Koppla förlängningsrörets nedre ände till matt- och golvmunstycket [3] eller tillbehör om så krävs.

## ANVÄNDA ÅNGRENGÖRAREN

1. Dra ur nätsladden och koppla in den i ett vägguttag. Dra inte ut sladden längre än till den röda markeringen. [4]
2. Ställ in teleskopröret på önskad längd genom att hålla i handtaget och flytta rörreglaget uppåt eller nedåt till den position som är bekvämast. [5]
3. Matt- och golvmunstycke\*\*. Tryck på golvtypväljaren på munstycket [6] för att välja rätt rengöringsläge för den aktuella golvtypen.  
**Hårt golv** – Borstarna sänks ned för att skydda golvet.  
**Matta** – Borstarna dras upp för att ge djup rengöring.
4. Sätt på dammsugaren genom att trycka på på/av Pedalen på dammsugarkroppen. [7]
5. Justera sugregleraren på handtaget till önskad nivå.
6. När du inte använder produkten, stänger du av den genom att trycka på On / Off pedalen. Koppla ur och tryck på pedalen till sladdvindan för att linda tillbaka nätsladden i dammsugaren.

## PARKERINGS OCH FÖRVARINGS AVSNITT

Röret och munstycket kan placeras på dammsugarens baksida för långvarig förvaring eller tillfällig förvaring när dammsugaren används.

\*Endast vissa modeller

\*\* Endast vissa modeller, munstycken kan variera beroende på modell

## TILLBEHÖR

För att uppnå bästa prestanda och energieffektivitet #1 rekommenderas det att rätt munstycke används för de huvudsakliga städarbetena. Dessa munstycken visas i diagrammen med beteckningarna **GP**, **HF** och **CA**.

Ett munstycke av typen **GP** kan användas till att rengöra både mattor och hårda golv.

Ett munstycke av typen **HF** är endast lämpligt för användning på hårda golv.

Ett munstycke av typen **CA** är endast lämpligt för användning på mattor.

De andra munstyckena är tillbehör för specialrengöring och rekommenderas endast för enstaka rengöringstillfällen.

Det är viktigt att observera att denna dammsugare är försedd med en energimärkning som krävs enligt förordning (EU) 665/2013.

Om märket har en röd förbudscirkel till vänster som täcker mattsymbolen, visar detta att dammsugaren inte är lämplig för användning på mattor.

Om märket har en röd förbudscirkel till höger som täcker symbolen för hårt golv, visar detta att dammsugaren inte är lämplig för användning på hårda golv.

#1 **OBS!** Dammupptagningsförmåga på mattor, dammupptagningsförmåga på hårda golv samt energieffektivitet i enlighet med kommissionens förordning (EU) 665/2013 och (EU) 66/2013.

Alla tillbehör kan monteras på slangens handtag eller på rörens ände.

**2-i-1-verktyg** kombinerar flera olika funktioner i ett verktyg:

**Verktyg för springor** – För hörn och svåråtkomliga utrymmen.

**Dammborste** – För bokhyllor, ramar, tangentbord och andra känsliga utrymmen.

**Miniturbomunstycke för borttagning av djurhår\*** - Använd miniturbomunstycket i trappor eller för djuprengöring av textilytor och andra svårrengjorda ytor. Särskilt lämpligt för borttagning av djurhår.

**Allergenavlägsnande miniturbomunstycke\*** – Använd miniturbomunstycket i trappor eller för djuprengöring av textilytor och andra svårrengjorda ytor. Särskilt lämpligt för allergenborttagning.

**Parkettmunstycke\*** – För parkettgolv och andra känsliga golv.

**VIKTIGT:** Använd inte turbo- och miniturbomunstycket på mattor med långa fransar, djurfällor eller mattor med högre lugg än 15 mm. **Håll inte munstycket stilla på en plats när borsten roterar.**

## UNDERHÅLL AV ÅNGRENGÖRAREN

### Tömma dammbehållaren

När dammet når maxnivån tömmer du dammbehållaren.

**VIKTIGT:** För att bibehålla optimal kapacitet får dammet inte överskrida maxnivån.

1. Slå av dammsugaren med huvudströmbrytaren och dra ut strömsladden.
2. Tryck på knappen för frigöring av behållaren och ta bort behållaren från dammsugaren. [8]
3. Håll dammbehållaren med en hand och avlägsna locket till dammbehållaren genom att vrida det moturs. [9]

4. Ta bort förmotorfiltret från behållaren. [10]
5. Ta bort Vortex Finder från behållaren. [11]
6. Töm ut dammet från behållaren. [12]
7. Sätt tillbaka vortex finder och förmotorfiltret på behållaren.
8. Sätt tillbaka locket på dammbehållaren.
9. Stäng och sätt tillbaka på dammsugarens kropp.

### Rengöra de tvättbara filtren

Dammsugaren är försedd med ett förmotorfilter och ett utblåsningsfilter. För att bibehålla den optimala rengöringskapaciteten bör du regelbundet ta bort filtren och knacka dem mot soptunnans innerkant för att få bort damm. Filtret bör rengöras vid var femte kassetttömning eller när filtret har nått en alltför hög dammnivå.

**VIKTIGT: Filtren måste rengöras regelbundet på alla påslösa dammsugare. Om filtren inte rengöras kan detta leda till att luften blockeras, överhettning och produktfel. Dessutom kan garantin upphöra att gälla.**

**VIKTIGT:** Kontrollera och underhåll filtren regelbundet.

**VIKTIGT:** Se alltid till att filtersatsen är helt torr innan du använder den.

### Så här kommer du åt filtret:

1. Ta bort dammbehållaren från dammsugaren. [8]
2. Håll dammbehållaren med en hand och avlägsna locket till dammbehållaren genom att vrida det moturs. [9]
3. Ta bort förmotorfiltret från behållaren. [10]
4. Knacka försiktigt på förmotorfiltret och tvätta det. Använd inte hett vatten eller rengöringsmedel. Ta bort överflödigt vatten från filtret och låt det torka helt innan du använder det igen. [13] [17]
5. Återmontera förmotorfiltret när det är helt torrt och sätt tillbaka det i dammsugaren.

### Så här kommer du åt utblåsningsfiltret:

1. Haka loss skyddet för utblåsningsfiltret bak på dammsugarens kropp. [14]
2. Avlägsna utblåsningsfiltret bak på dammsugaren. [15]
3. Knacka försiktigt och tvätta filtret med hjälp av varmt vatten. Använd inte hett vatten eller rengöringsmedel. Ta bort överflödigt vatten från filtret och låt det torka helt innan du använder det igen. [16] [17]
4. Sätt tillbaka utblåsningsfiltret bak på dammsugaren när det är helt torrt och sätt tillbaka skyddet för utblåsningsfiltret.

**VIKTIGT:** Använd inte produkten utan filtersatsen.

### Rengöring av dammbehållaren/separationsenheten

Den här dammsugaren använder ett separationssystem som är unikt för Hoover. Om det är nödvändigt kan separationsenheten monteras bort från dammbehållaren och rengöras.

1. Tryck på dammbehållarens frigöringsknapp och ta bort behållaren från dammsugaren. [8]
2. Håll behållaren i en hand och med den andra handen tar du loss dammbehållarens lock genom att vrida det moturs. [9]
3. Ta loss dammbehållarens lock genom att vrida det moturs. Och avlägsna förmotorfiltret från dammbehållaren. [10] Och avlägsna sedan vortex finder från dammbehållaren genom att dra. [11]
4. Använd en trasa för att avlägsna stora mängder damm från vortex finders yta om så krävs. Återmontera behållarens inre komponenter.

\*Endast vissa modeller

\*\* Endast vissa modeller, munstycket kan variera beroende på modell

5. Sätt tillbaka dammbehållarens lock på dammbehållaren. Sätt tillbaka dammbehållaren på dammsugaren.

### Åtgärda stopp

1. Kontrollera om dammbehållaren är full. Gå i så fall till avsnittet "Tömma dammbehållaren".
2. Om dammbehållaren är tom och sugkraften ändå är låg:
  - A. Behöver filtren rengöras? Gå i så fall till avsnittet "Rengöra de tvättbara filtren".
  - B. Kontrollera om det är något annat stopp i systemet. - Använd en stång eller liknande för att ta bort det som eventuellt blockerar rören eller slangens.
  - C. Kontrollera att ingenting blockerar munstycket.
  - D. Kontrollera om separationsenheten behöver rengöras. Se "Rengöra separationsenheten".

**WARNING** - Om dammsugaren används en längre tid när den är blockerad, stänger en värmesäkring av dammsugaren för att förhindra överhettning. Om detta inträffar slår du av dammsugaren, drar ut sladden och rättar till felet. Det tar omkring 45 minuter för säkringen att automatiskt återställas.

## CHECKLISTA FÖR ANVÄNDAREN

Om du får problem med produkten fyller du i den här enkla kontrollistan innan du ringer till den lokala Hoover-servicerepresentanten.

- Har dammsugaren tillgång till fungerande strömförsörjning? Kontrollera genom att koppla in en annan eldriven apparat.
- Är dammbehållaren överfylld? Se "Underhåll av dammsugaren".
- Är filtret igensatt? Se "Underhåll av dammsugaren".
- Är slangens eller munstycket igensatt? Se "Ta bort ett stopp i systemet".
- Är dammsugaren överhettad? Om så är fallet tar det cirka 30 minuter för en automatisk återställning.

## VIKTIG INFORMATION

### Reserv- och förbrukningsdelar från Hoover

Använd alltid originaldelar från Hoover vid byte. Du kan beställa delar från närmaste Hoover-återförsäljare eller direkt från Hoover. Uppge alltid modellnummer när du beställer delar.

### Kvalitet

Hoovers fabriker har kvalitetsbedömts av oberoende organisationer. Våra produkter tillverkas enligt ett kvalitetssystem som uppfyller kraven för ISO 9001.

### Garanti

Garantivillkoren för produkten definieras av vår representant i det land där produkten säljs. Du kan få uppgifter om aktuella villkor från återförsäljaren. Kvittot måste visas upp när man kräver ersättning enligt garantin.

Specifikationerna kan ändras utan föregående meddelande.



## OHJEET TURVALLISTA KÄYTTÖÄ VARTEN

Tämä laite on tarkoitettu ainoastaan kotikäyttöön tämän käyttöoppaan kuvaamalla tavalla. Tutustu tähän käyttöoppaaseen huolellisesti ennen laitteen käyttöä.

Älä jätä laitetta kytketyksi virtaan. Kytke laitteesta virta ja irrota virtajohto virtalähteestä aina käytön jälkeen ja ennen kuin puhdistat laitteen tai teet huoltotoimenpiteitä.

Tätä laitetta voivat käyttää yli 8-vuotiaat lapset ja henkilöt joilla on vähentynyt fyysinen, aistillinen tai henkinen kyky tai ei kokemusta tai tietoja, mikäli näille on annettu ohjausta ja valvontaa koskien laitteen turvallista käyttöä ja ymmärtävät käyttöön liittyvät vaaratekijät. Lapset eivät saa leikkiä laitteella. Käyttäjän suorittamaa puhdistusta ja huoltoa ei tule suorittaa lasten toimesta ilman valvontaa.

Lopeta laitteen käyttö välittömästi, jos virtajohto on vahingoittunut. Turvallisuusriskin välttämiseksi valtuutetun Hoover-huoltoliikkeen tulee vaihtaa virtajohto.

Pidä kädet, jalat, löysät vaatteet ja hiukset loitolla pyörivistä harjoista.

Käytä ainoastaan Hooverin toimittamia tai suosittelemia kiinnityskappaleita, lisävarusteita tai varaosia.

**Staattinen sähkö:** Jotkin matot voivat aiheuttaa vähäisen määrän staattista sähköä. Staattisen sähköön purkaus ei ole vaarallista terveydelle.

Älä käytä laitettasi ulkona tai märällä alustalla. Älä imuroi nesteitä.

Älä imuroi kovia tai teräviä esineitä, tulitikkuja, kuumaa tuhkaa, tupakantumppeja tai muita vastaavia esineitä.

Älä ruiskuta laitteelle tai imuroi laitteella syttyviä nesteitä, puhdistusnesteitä, aerosoleja tai näiden höyryjä.

Älä aja laitteella verkkojohdon yli tai irrota pistoketta virtalähteestä johdosta vetämällä.

Älä käytä laitetta, jos se vaikuttaa vialliselta.

**HOOVER-huolto** Laitteen käyttöturvallisuuden ja tehokkaan toiminnan varmistamiseksi huolto ja korjaukset kannattaa antaa valtuutetun Hoover-huoltoliikkeen tehtäväksi.

Älä seiso johdon päällä tai kierrä sitä käsien tai jalkojen ympärille laitetta käyttäessäsi.

Älä käytä laitetta ihmisten tai eläinten puhdistamiseen.

Älä aseta laitetta yläpuolellesi, kun imuroit portaita.

### Ympäristö

Tässä laitteessa oleva symboli osoittaa, että laitetta ei saa hävittää kotitalousjätteenä. Se täytyy luovuttaa sähkö- ja elektroniikkalaitteiden keräyspisteeseen kierrätystä varten. Hävittäminen on suoritettava paikallisten jätteiden hävittämistä koskevien ympäristösäännösten mukaisesti. Saat lisätietoja tämän laitteen käsitlemisestä, hyötykäytöstä ja kierrätyksestä paikallisilta viranomaisilta, kotitalouksien ja muiden jätteiden jätehuollosta tai liikkeestä, josta ostit laitteen.



Tämä laite on EU:n direktiivien 2014/35/EU, 2014/30/EU ja 2011/65/EU mukainen.

HOOVER Limited, Pentrebach, Merthyr Tydfil, Mid Glamorgan, CF48 4TU, UK

## HÖYRYMOPIN OSAT

- |   |                                    |
|---|------------------------------------|
| A. Imutehon säädin                              | K. Letku                           |
| B. Kahva  | L. Pölysäiliön kansi               |
| C. Teleskooppiputki                             | M. Pölysäiliö                      |
| D. Virtapainike                                 | N. Pyörresuunnin                   |
| E. Poistoilmansuodattimen kansi                 | O. Moottorin edessä oleva suodatin |
| F. Matto- ja lattiasuutin (GP)**                | P. Pölykasetin vapautuspainike     |
| F1. Mattosuulake (CA)**                         | Q. Poistoilmansuodatin             |
| F2. Lauta- tai laminaattilattian suulake (HF)** | R. 2 in 1 - suulake                |
| G. Lattiatyyppin valitsin                       | S. Pieni eläinkarvatehosuulake*    |
| H. Putken säilytysura                           | T. Pieni allergiatehosuulake*      |
| I. Johdonkeräyspoljin                           | U. Tehosuutin*                     |
| J. Imurin runko                                 | V. Parkettisuulake*                |

## HÖYRYMOPIN KOKOAMINEN

Pura kaikki osat pakkauksesta.

- Liitä letku imurin runkoon ja varmista, että se naksahaa ja lukittuu paikalleen. [1]
- Irrotus: paina letkun päässä olevaa painiketta ja vedä.
- Liitä letkun kahva jatkoputken yläpäähän [2], tai tarvittaessa lisävaruste.
- Liitä jatkoputken alapää matto- ja lattiasuulakkeeseen [3] tai tarvittaessa lisävarusteeseen.

## IMURIN KÄYTTÖ

- Vedä verkkojohto esiin ja kytke pistoke virtalähteeseen. Vedä johto ulos enintään punaiseen merkkiin asti. [4]
- Säädä teleskooppiputki sopivalle korkeudelle siirtämällä teleskooppiputken sovitin ylös ja siirtämällä kädensija ylös tai alas mukavimpaan työskentelyasentoon. [5]
- Matto- ja lattiasuutin\*\*. Paina suulakkeen [6] lattiatyyppin valitsinta ja valitse lattiaan sopiva imurointitapa.  
**Kova lattia:** – Harjakset ovat alhaalla lattian suojaamiseksi.  
**Matto:** – Harjakset ovat ylhäällä parhaan imutehon saavuttamiseksi.
- Käynnistä imuri painamalla rungon käynnistyspoljinta. [7]
- Asenna imutehon säädin kahvaan halutulle tasolle.
- Sammuta käytön päätyttyä painamalla käynnistys/sammutuspoljinta. Irrota pistoke virtalähteestä ja kela virtajohto takaisin imuriin johdonkeräyspoljinta painamalla.

## SÄILYTYS JA VARASTOINTI -OSIO

Putki ja suutin voidaan laittaa talteen imurin taakse tai väliaikaiseen säilöön käytön aikana.

\*Vain joissakin malleissa

\*\* Vain joissakin malleissa, suulakkeet saattavat vaihdella mallista riippuen

## LISÄVARUSTEET

Parhaan suorituskyvyn ja energiatehokkuuden #1 saavuttamiseksi on suositeltavaa käyttää oikeanlaisia suulakkeita. Kaavioissa näihin suulakkeisiin viitataan kirjainyhdistelmillä **GP**, **HF** ja **CA**.

Suulaketyyppi **GP** soveltuu sekä mattojen että kovan lattian puhdistukseen.

Suulaketyyppi **HF** soveltuu ainoastaan kovan lattian puhdistukseen.

Suulaketyyppi **CA** soveltuu ainoastaan mattojen puhdistukseen.

Muut suulakkeet ovat lisävarusteita erityisiä puhdistustoimenpiteitä varten ja niitä suositellaan käytettävän vain satunnaisesti.

On tärkeää huomata, että tällä imurilla on komission asetuksen (EU) 665/2013 mukainen energiamerkintä.

Jos energiamerkin vasemmassa laidassa on matto-symbolin peittävä punainen kieltoympyrä, imuri ei sovellu käytettäväksi matoilla.

Jos energiamerkin oikeassa laidassa on kova lattia -symbolin peittävä punainen kieltoympyrä, imuri ei sovellu käytettäväksi kovalla lattialla.

#1 **HUOMAA:** Komission asetusten (EU) 665/2013 ja (EU) 666/2013 mukaiset energiatehokkuus, kyky kerätä pöly matolta ja kyky kerätä pöly kovalta lattialta.

Kaikki lisävarusteet sopivat letkun kädensijaan tai putken päähän.

**2 in 1 -suutinta** voidaan käyttää useaan eri tarkoitukseen:

**Rakosuulake** – Nurkkia ja vaikeapääsisiä kohteita varten.

**Pölyharja** – Kirjahyllyjä, kehyksiä, näppäimistöjä ja muita kevyttä imutehoa vaativia paikkoja varten.

**Pieni eläinkarvatehosuulake\*** - Pienellä tehosuulakkeella voit imuroida portaita tai syväpuhdistaa tekstiilipintoja ja muita vaikeasti puhdistettavia paikkoja. Sopii erityisesti eläinkarvojen imurointiin.

**Pieni allergiatehosuulake\*** – Pienellä tehosuulakkeella voit imuroida portaita tai syväpuhdistaa tekstiilipintoja ja muita vaikeasti puhdistettavia paikkoja. Sopii erityisesti allergiaa aiheuttavien kohteiden imurointiin.

**Parkettisuulake\*** – Parketin ja muiden arkojen lattiapintojen imurointiin.

**TÄRKEÄÄ:** Älä käytä mini turbosuulaketta imuroidessasi pitkähapsullisia mattoja, eläinten taljoja tai mattoja, joiden nukan pituus on yli 15 mm. **Älä pidä suulaketta paikoillaan yhdessä kohdassa harjan pyöriessä.**

## HÖYRYMOPIN KUNNOSSAPITO

### Pölysäiliön tyhjennys

Tyhjennä pölysäiliö, kun pölymäärämittari osoittaa säiliön olevan täynnä.

**TÄRKEÄÄ:** Älä imuroi enää sen jälkeen, kun mittari osoittaa kasetin olevan täynnä.

- Sammuta puhdistin pääkytkimestä ja irrota virtajohto.
- Paina roskasäiliön vapautuspainiketta ja poista roskasäiliö imurista. [8]
- Pidä pölykasettia toisella kädellä ja irrota pölykasetin luukku kiertämällä sitä vastapäivään. [9]
- Irrota moottorin edessä oleva suodatin pölysäiliöstä. [10]

5. Irrota pyörresuunnin pölysäiliöstä. [11]
6. Tyhjennä pöly pölysäiliöstä. [12]
7. Asenna pyörresuunnin ja moottorin edessä oleva suodatin pölysäiliöön.
8. Asenna pölykasetin kansi pölysäiliöön.
9. Sulje ja asenna imurin runkoon.

### Pestävien suodattimien puhdistus

Imurissa on moottorin edessä oleva suodatin ja poistoilmansuodatin. Parhaan imutehon takaamiseksi irrota suodattimet säännöllisesti ja poista pöly napauttamalla suodatinta roskastian reunaan. Suodattimet tulee pestä 5 kasetintyhjennyksen välein tai kun suodattimessa on liikaa pölyä.

**TÄRKEÄÄ:** Kaikkien pölypussittomien imurien suodattimet on puhdistettava säännöllisesti. Jos suodattimia ei puhdisteta, ilman virtaus voi tukkeutua, imuri ylikuumentaa ja rikkoutua. Myös takuu voi mitätöityä.

**TÄRKEÄÄ:** Tarkista suodatinten kunto säännöllisesti ja huolla tarvittaessa.

**TÄRKEÄÄ:** Varmista ennen imurointia, että suodatinpakkaus on täysin kuiva.

### Suodattimen puhdistus:

1. Irrota pölysäiliö imurista. [8]
2. Pidä pölykasettia toisella kädellä ja irrota pölykasetin luukku kiertämällä sitä vastapäivään. [9]
3. Irrota moottorin edessä oleva suodatin pölysäiliöstä. [10]
4. Napauta kevyesti moottorin edessä olevaa suodatinta ja pese se. Älä käytä kuumaa vettä tai pesuaineita. Poista suodattimesta liika vesi ja anna kuivua kokonaan, ennen kuin asennat sen takaisin. [13] [17]
5. Kokoa moottorin edessä oleva suodatin uudelleen, kun se on täysin kuiva, ja asenna se takaisin imuriin.

### Poistosuodattimen puhdistus:

1. Avaa poistoilmansuodattimen kansi imurin rungon takaosassa. [14]
2. Irrota poistoilmansuodatin imurin takaosasta. [15]
3. Napauta suodatinta kevyesti ja pese se lämpimällä vedellä. Älä käytä kuumaa vettä tai pesuaineita. Poista suodattimesta liika vesi ja anna kuivua kokonaan, ennen kuin asennat sen takaisin. [16] [17]
4. Asenna poistoilmansuodatin imurin takaosaan, kun se on täysin kuiva, ja asenna poistoilmansuodattimen kansi.

**TÄRKEÄÄ:** Älä käytä imuria ilman suodatinpakkausta.

### Pölysäiliön / Erotusyksikön puhdistaminen

Tässä imurissa on ainutlaatuinen Hoover-erottelujärjestelmä. Erotusyksikkö voidaan tarvittaessa irrottaa pölykasetista puhdistusta varten.

1. Paina pölysäiliön vapautuspainiketta ja irrota pölysäiliö imurista. [8]
2. Pitele pölysäiliötä toisella kädellä ja irrota toisella kädellä pölykasetin kansi kiertämällä sitä vastapäivään. [9]
3. Irrota pölykasetin kansi kiertämällä sitä vastapäivään. Irrota moottorin edessä oleva suodatin pölykasetista. [10] Irrota sitten pyörresuunnin imurista vetämällä sitä. [11]
4. Puhdista tarvittaessa rätillä liika pöly pyörresuuntimen pinnalta. Asenna sisäosat takaisin roska-astiaan.
5. Asenna pölysäiliön kansi takaisin pölykasettiin. Asenna pölysäiliö paikalleen imuriin.

\*Vain joissakin malleissa

\*\* Vain joissakin malleissa, suulakkeet saattavat vaihdella mallista riippuen

### Tukoksen poistaminen

1. Tarkista, onko pölysäiliö täynnä. Tyhjennä se tarvittaessa kohdan "Pölysäiliön tyhjennys" ohjeiden mukaan.
2. Jos pölysäiliö on tyhjä, mutta imuteho on silti heikko:
  - A. Ovatko suodattimet puhdistuksen tarpeessa? Tyhjennä se tarvittaessa kohdan "Pestävien suodattimien puhdistus".
  - B. Tarkasta, onko laitteessa muuta tukosta. - Poista tukos putkista tai letkusta tikun tai sauvan avulla.
  - C. Tarkista ja puhdista kaikki tukokset suuttimessa
  - D. Tarkasta, tarvitseeko erotusosa puhdistusta. Katso lisätietoja kohdasta "Erotusosan puhdistus".

**VAROITUS** - Jos imuria käytetään erittäin pitkän aikaa tukkeutuneena, lämpökatkaisin katkaisee virran imurista estääkseen sen ylikuumentumisen. Jos näin tapahtuu, kytke imuri pois päältä, irrota pistorasiasta ja korjaa vika. Turvakatkaisu nollautuu itsestään noin 45 minuutin kuluessa.

### KÄYTTÄJÄN TARKISTUSLISTA

Jos laitteen käytössä ilmenee ongelmia, käy läpi nämä vianmääritysohjeet ennen kuin otat yhteyttä paikalliseen Hoover-huoltoon.

- Toimiiko virtalähde? Tarkista tämä toisella sähkölaitteella.
- Onko pölykasetti liian täynnä? Katso lisätietoja kohdasta "Imurin huolto".
- Onko suodatin tukossa? Katso lisätietoja kohdasta "Imurin huolto".
- Onko letku tai suulake tukossa? Katso ohjeet kohdasta "Tukoksen poistaminen imurista".
- Onko imuri ylikuumentunut? Jäähdyminen kestää noin 30 minuuttia.

### TÄRKEÄÄ TIETOA

#### Hoover-varaosat ja lisätarvikkeet

Käytä vain alkuperäisiä Hoover-varaosia. Niitä on saatavana paikalliselta Hoover-jälleenmyyjältä tai valtuutetusta huoltoliikkeestä. Mainitse varaosatilauksen yhteydessä hörymopin tyyppinumero.

#### Laatu

Hooverin tehtaat on arvioitu laadun suhteen riippumattoman tahon toimesta. Tuotantoprosessimme täyttävät ISO 9001 -laatu järjestelmän vaatimukset.

#### Takuu

Tämän laitteen takuuehdot määrittelee ostomaan Hoover-edustaja. Yksityiskohtaiset tiedot näistä ehdoista saa laitteen myyneeltä jälleenmyyjältä. Tämän takuun mukaisia vaateita esitettäessä on esitettävä myyntitodistus tai ostokuitti.

Oikeus muutoksiin pidätetään.

## ΟΔΗΓΙΕΣ ΑΣΦΑΛΟΥΣ ΧΡΗΣΗΣ

Η συσκευή πρέπει να χρησιμοποιείται αποκλειστικά για οικιακή χρήση, σύμφωνα με τις οδηγίες χρήσης. Πριν δοκιμάσετε να χρησιμοποιήσετε τη συσκευή, βεβαιωθείτε ότι έχετε κατανοήσει τις οδηγίες που περιέχει το βιβλίο που κρατάτε στα χέρια σας.

Μην αφήνετε τη συσκευή συνδεδεμένη στην πρίζα. Πριν τον καθαρισμό της συσκευής ή οποιασδήποτε εργασία συντήρησης, πρέπει να απενεργοποιείτε τη συσκευή και να την αποσυνδέετε από την πρίζα.

Η χρήση της συσκευής από παιδιά άνω των 8 ετών, ηλικιωμένους και ΑΜΕΑ προϋποθέτει την παρουσία ενήλικα που θα φέρει την ευθύνη για την ασφαλεία τους. Η χρήση της συσκευής από άτομα που δεν έχουν εξοικειωθεί στη χρήση παρόμοιων συσκευών μπορεί να γίνει μόνο αφού γίνει κατανοητός ο κίνδυνος που ενέχει η χρήση της συσκευής. Μην αφήνετε τα παιδιά να παίζουν με τη συσκευή. Οι εργασίες καθαρισμού και συντήρησης της συσκευής δεν πρέπει να γίνονται από τα παιδιά χωρίς την επίβλεψη ενήλικα που θα φέρει την ευθύνη για την ασφαλεία τους.

Εάν το καλώδιο σύνδεσης με το δίκτυο παροχής εμφανίσει φθορές διακόψτε την λειτουργία της συσκευής αμέσως. Για λόγους ασφάλειας η αντικατάσταση του καλωδίου πρέπει να γίνει αποκλειστικά από εξουσιοδοτημένο προς τούτο τεχνικό HOOVER.

Μην πλησιάζετε τις περιστρεφόμενες βούρτσες με τα χέρια, τα πόδια, τα μαλιά ή τα ρούχα σας.

Χρησιμοποιείτε αποκλειστικά γνήσια εξαρτήματα, ανταλλακτικά και αναλώσιμα HOOVER.

**Στατικός ηλεκτρισμός:** Ορισμένα χαλιά μπορεί να προκαλέσουν συσσώρευση στατικού ηλεκτρισμού. Τυχόν στατικές εκκενώσεις δεν είναι επικίνδυνες για την υγεία.

Μην χρησιμοποιείτε τη συσκευή σας σε εξωτερικούς χώρους, σε υγρή επιφάνεια ή για τη συλλογή υγρών.

Μην συλλέγετε με τη συσκευή σκληρά ή αιχμηρά αντικείμενα, καυτή στάχτη, αποτσίγαρο ή άλλα παρόμοια αντικείμενα.

Μην ψεκάζετε ή συλλέγετε εύφλεκτα υγρά, υγρά καθαρισμού, αερολύματα ή τους ατμούς τους.

Ενώσω χρησιμοποιείτε τη συσκευή δεν πρέπει να πατάτε επάνω στο καλώδιο, μην τραβάτε το καλώδιο για να αποσυνδέσετε τη συσκευή από την παροχή.

Εάν η συσκευή εμφανίσει κάποια βλάβη μην συνεχίσετε να την χρησιμοποιείτε.

**Τεχνική Υποστήριξη Hoover :** Για την διατήρηση της ασφαλούς και αποτελεσματικής λειτουργίας της συσκευής οι επεμβάσεις συντήρησης και αποκατάστασης βλαβών πρέπει να γίνονται αποκλειστικά μέσω των εξουσιοδοτημένων τεχνικών HOOVER..

Μην στέκεστε πάνω στο καλώδιο και μην το περιτυλίγετε γύρω από τα χέρια ή τα πόδια σας ενώσω η συσκευή βρίσκεται σε λειτουργία.

Μην χρησιμοποιείτε τη συσκευή για να καθαρίζετε ζώα ή άτομα.

Μην τοποθετείτε πάνω σας τη συσκευή όταν καθαρίζετε τις σκάλες.

### Περιβάλλον

Το σύμβολο πάνω σε αυτή τη συσκευή υποδεικνύει ότι αυτή η συσκευή δεν μπορεί να αντιμετωπιστεί σαν κοινό οικιακό απόρριμα. Αντίθετα, πρέπει να παραδοθεί στο πλησιέστερο κέντρο συλλογής για την ανακύκλωση ηλεκτρικού και ηλεκτρονικού εξοπλισμού. Η απόρριψη της συσκευής πρέπει να γίνει σύμφωνα με την ισχύουσα κατά τόπο νομοθεσία για την απόρριψη ηλεκτρονικών και ηλεκτρικών αποβλήτων. Για πιο λεπτομερείς πληροφορίες σχετικά με την επεξεργασία, την ανάκτηση και την ανακύκλωση αυτής της συσκευής, επικοινωνήστε με την κατά τόπους αρμόδια αρχή, την υπηρεσία αποκομιδής οικιακών απορριμμάτων ή το κατάστημα από το οποίο αγοράσατε τη συσκευή.



Αυτή η συσκευή συμμορφώνεται με τις Ευρωπαϊκές Οδηγίες 2014/35/EE, 2014/30/EE και 2011/65/EE.

HOOVER Limited, Pentrebach, Merthyr Tydfil, Mid Glamorgan, CF48 4TU, UK

## ΕΞΟΙΚΕΙΩΣΗ ΜΕ ΤΗ ΣΚΟΥΠΑ

- |   |  |
|---|--|
| A. Ρυθμιστής αναρρόφησης                        | K. Εύκαμπτος σωλήνας   |
| B. Λαβή εύκαμπτου σωλήνα                        | L. Καπάκι δοχείου σκόνης                                       |
| C. Τηλεσκοπικός σωλήνας                         | M. Δοχείο συλλογής σκόνης                                      |
| D. Πεντάλ (On/Off)                              | N. Ανιχνευτής στροβίλου  |
| E. Κάλυμμα φίλτρου εξόδου                       | O. Φίλτρο πριν το μοτέρ  |
| F. Πέλημα χαλιών και δαπέδων (GP)**             | P. Πλήκτρο απελευθέρωσης δοχείου σκόνης                        |
| F1. Ακροφύσιο χαλιών (CA)**                     | Q. Φίλτρο απαγωγής   |
| F2. Ακροφύσιο (στόμιο) για σκληρά δάπεδα (HF)** | R. Αξεσουάρ 2 σε 1   |
| G. Επιλογέας τύπου δαπέδου                      | S. Πέλημα Mini Turbo για τρίχες κατοικίδιων*                   |
| H. Εγκοπή στάθμευσης                            | T. Πέλημα Mini Turbo για την απομάκρυνση αλλεργιογόνων ουσιών* |
| I. Πεντάλ περιέλιξης καλωδίου                   | U. Ακροφύσιο Grand Turbo*                                      |
| J. Κυρίως σώμα καθαριστή                        | V. Πέλημα παρκέ*   |

## ΣΥΝΑΡΜΟΛΟΓΗΣΗ ΤΗΣ ΣΥΣΚΕΥΗΣ

Αφαιρέστε όλα τα εξαρτήματα από τη συσκευασία.

- Συνδέστε τον εύκαμπτο σωλήνα στο κυρίως σώμα της σκούπας, διασφαλίζοντας ότι έχει κομπώσει και ασφαλίσει στη σωστή θέση. [1]
- Για να τον απασφαλίσετε: απλώς πατήστε το κουμπί στο άκρο του εύκαμπτου σωλήνα και τραβήξτε.
- Συνδέστε τη λαβή του εύκαμπτου σωλήνα στο άνω άκρο του σωλήνα επέκτασης [2], ή των αξεσουάρ αν χρειάζεται.
- Συνδέστε το κάτω άκρο σωλήνα επέκτασης στο ακροφύσιο χαλιών και δαπέδου [3] ή των αξεσουάρ αν χρειάζεται.

## ΟΔΗΓΙΕΣ ΧΡΗΣΕΩΣ

- Ξετυλίξτε το καλώδιο ρεύματος και συνδέστε το σε μια πρίζα. Μην τραβάτε το καλώδιο πέραν της κόκκινης σήμανσης. [4]
- Ρυθμίστε τον τηλεσκοπικό σωλήνα στο επιθυμητό ύψος μετακινώντας το ρυθμιστή τηλεσκοπικού σωλήνα επάνω και ανυψώστε ή χαμηλώστε τη λαβή στην πιο άνετη θέση καθαρισμού. [5]
- Πέλημα χαλιών και δαπέδων\*\*. Πιέστε τον επιλογέα τύπου δαπέδου στο ακροφύσιο [6] για να επιλέξετε την ιδανική λειτουργία καθαρισμού για τον τύπο του δαπέδου.  
**Σκληρά δάπεδα** – Οι βούρτσες χαμηλώνουν στο ανάλογο επίπεδο για να μην φθείρουν το δάπεδο.  
**Χαλί** – Οι βούρτσες βγαίνουν προς τα έξω για καθαρισμό σε βάθος.
- Ενεργοποιήστε τη σκούπα πατώντας το πεντάλ on/off στον κύριο σώμα της σκούπας. [7]
- Βάλτε τον ρυθμιστή αναρρόφησης στο επιθυμητό επίπεδο.
- Πατείστε το πεντάλ on/off για να απενεργοποιήσετε τη συσκευή μετά το πέρας του καθαρισμού. Βγάλτε το φιν από την πρίζα και πατήστε το πεντάλ περιέλιξης του καλωδίου για να τυλίξετε το καλώδιο μέσα στη σκούπα.

## ΑΠΟΘΕΣΗ ΚΑΙ ΑΠΟΘΗΚΕΥΣΗ ΣΥΣΚΕΥΗΣ

Ο σωλήνας και το ακροφύσιο μπορούν να στερεωθούν στο πίσω μέρος μέρος της σκούπας για αποθήκευση ή προσωρινά κατά τη διάρκεια της λειτουργίας.

\*Μόνο ορισμένα μοντέλα

\*\* Μόνο για ορισμένα μοντέλα, τα πέσματα ενδέχεται να διαφέρουν ανάλογα με το μοντέλο

## ΕΞΑΡΤΗΜΑΤΑ

Για να πετύχετε την καλύτερη επίδοση και ενεργειακή αποδοτικότητα <sup>#1</sup> συνιστάται να χρησιμοποιείτε τα σωστά ακροφύσια στις βασικές εργασίες καθαρισμού. Αυτά τα πέσματα απεικονίζονται στα σχέδια με τα γράμματα **GP**, **HF** ή **CA**.

Το πέλημα τύπου **GP** μπορεί να χρησιμοποιηθεί τόσο για τον καθαρισμό χαλιών όσο και πατωμάτων. Το πέλημα τύπου **HF** είναι κατάλληλο για χρήση μόνο σε σκληρά δάπεδα.

Το ακροφύσιο τύπου **CA** είναι κατάλληλο για χρήση μόνο σε χαλιά

Τα υπόλοιπα ακροφύσια προορίζονται για ειδικές εργασίες καθαρισμού και πρέπει να χρησιμοποιούνται μόνο για το συγκεκριμένο σκοπό.

Είναι σημαντικό να σημειωθεί ότι η ηλεκτρική σκούπα συνοδεύεται από ενεργειακή ετικέτα σύμφωνα με τα ισχύοντα από την 665/2013 Ευρωπαϊκή οδηγία.

Εάν η ετικέτα εμφανίζει έναν κόκκινο απαγορευτικό κύκλο στα αριστερά που καλύπτει ένα σύμβολο χαλιού, αυτό είναι ένδειξη ότι η σκούπα δεν είναι κατάλληλη για χρήση σε χαλιά.

Όταν στην ετικέτα στα δεξιά υπάρχει το απαγορευτικό σύμβολο με το κύκλο που καλύπτει ένα σύμβολο πατώματος, σημαίνει ότι η σκούπα είναι ακατάλληλη για χρήση σε σκληρά δάπεδα.

<sup>#1</sup> **ΣΗΜΕΙΩΣΗ:** Η ικανότητα απορρόφησης σκόνης σε χαλιά και σκόνης σε σκληρά δάπεδα όπως και η ενεργειακή απόδοση ανταποκρίνονται στις υπαρίθμ 665/2013 και 666/2013 της Ε.Ε.

Όλα τα εξαρτήματα μπορούν να τοποθετηθούν στη λαβή του εύκαμπτου σωλήνα ή στο άκρο των σωλήνων.

Το **εργαλείο 2 σε 1** συνδυάζει τη χρήση αρκετών λειτουργιών σε ένα εργαλείο:

**Ρύγχος καθαρισμού** – Για γωνίες και δυσπρόσιτα σημεία.

**Βούρτσα ξεσκονίσματος** – Για ράφια, πλαίσια, πληκτρολόγια και άλλες ευαίσθητες περιοχές.

**Πέλημα Mini Turbo για τρίχες κατοικίδιων\*** – Χρησιμοποιήστε το πέλημα μίνι τούρμπο για τις σκάλες ή για τον βαθύ καθαρισμό υφασμάτων επιφανειών και άλλων σημείων που καθαρίζονται δύσκολα. Ιδιαίτερα κατάλληλο για την απομάκρυνση τριχών κατοικίδιων.

**Πέλημα Mini Turbo για την απομάκρυνση αλλεργιογόνων ουσιών\*** – Χρησιμοποιήστε το πέλημα μίνι τούρμπο για τις σκάλες ή για τον βαθύ καθαρισμό υφασμάτων επιφανειών και άλλων σημείων που καθαρίζονται δύσκολα. Ιδιαίτερα κατάλληλο για την απομάκρυνση αλλεργιογόνων.

**Πέλημα παρκέ\*** – Για παρκέ και άλλα ευαίσθητα δάπεδα.

**ΕΠΙΣΗΜΑΝΣΗ:** Μη χρησιμοποιείτε τα πέσματα turbo και μίνι turbo σε χαλιά με μακριά κρόσσια, σε φλοκάτες και χαλιά με πέλος μεγαλύτερο των 15 χιλιοστών. **Μην κρατάτε το πέλημα ακίνητο ενώ περιστρέφεται η βούρτσα.**

## ΣΥΝΤΗΡΙΣΗ ΚΑΙ ΚΑΘΑΡΙΣΜΟΣ

### Άδειασμα του δοχείου σκόνης

Άδειαστε το δοχείο όταν η σκόνη φτάσει μέχρι την ένδειξη max.

**ΕΠΙΣΗΜΑΝΣΗ:** Για βέλτιστη απόδοση μην αφήνετε τη σκόνη να υπερβεί τη μέγιστη ένδειξη.

- Κλείστε τον καθαριστή από τον γενικό διακόπτη και βγάλτε το καλώδιο ρεύματος από τη πρίζα.
- Πατήστε το κουμπί απελευθέρωσης του δοχείου και αφαιρέστε το συγκρότημα του δοχείου από τη σκούπα. [8]
- Κρατήστε το δοχείο σκόνης με το ένα χέρι και αφαιρέστε το καπάκι του κάδου περιστρέφοντάς το αριστερόστροφα. [9]
- Αφαιρέστε το συγκρότημα φίλτρου πριν τον κινητήρα από το συγκρότημα κάδου. [10]
- Αφαιρέστε τον ανιχνευτή κυκλώνα από το συγκρότημα κάδου. [11]
- Άδειαστε τη σκόνη από τον κάδο. [12]

7. Τοποθετήστε ξανά τον ανιχνευτή κυκλώνα και το συγκρότημα φίλτρου πριν από τον κινητήρα στο συγκρότημα κάδου.
8. Τοποθετήστε ξανά το καπάκι δοχείου σκόνης στο συγκρότημα κάδου.
9. Κλείστε και τοποθετήστε ξανά στο κύριο σώμα της σκούπας.

### Καθαρισμός των πλενόμενων φίλτρων

Η σκούπα είναι εξοπλισμένη με ένα φίλτρο πριν το μοτέρ και ένα φίλτρο εξόδου. Για να διατηρήσετε τη βέλτιστη απόδοση καθαρισμού, πρέπει να αφαιρείτε τακτικά τα φίλτρα και να τα τινάζετε μέσα στον κάδο ώστε να απομακρύνεται η σκόνη. Τα φίλτρα πρέπει να πλένονται κάθε 5 αδειάσματα της κασέτας ή όταν έχουν μαζέψει υπερβολική σκόνη.

**ΕΠΙΣΗΜΑΝΣΗ :** Όλες οι σκούπες χωρίς σακούλα απαιτούν συχνό καθαρισμό του φίλτρου. Η αποτυχία καθαρισμού των φίλτρων μπορεί να έχει σαν αποτέλεσμα την εμπλοκή αέρα, την υπερθέρμανση και την αστοχία του προϊόντος. Αυτό μπορεί να καταστήσει άκυρη την εγγύησή σας.

**ΕΠΙΣΗΜΑΝΣΗ :** Ελέγχετε και συντηρείτε τακτικά τα φίλτρα.

**ΕΠΙΣΗΜΑΝΣΗ :** Πρέπει να διασφαλίζετε πάντα ότι το σύστημα των φίλτρων είναι απόλυτα στεγνό πριν από τη χρήση.

#### Για να βρείτε το φίλτρο:

1. Αφαιρέστε το δοχείο σκόνης από τη σκούπα. [8]
2. Κρατήστε το δοχείο σκόνης με το ένα χέρι και αφαιρέστε το καπάκι του κάδου περιστρέφοντάς το αριστερόστροφα. [9]
3. Αφαιρέστε το συγκρότημα φίλτρου πριν τον κινητήρα από το συγκρότημα κάδου. [10]
4. Τινάζτε απαλά και πλύνετε το φίλτρο πριν από το μοτέρ. Μη χρησιμοποιείτε καυτό νερό ή απορρυπαντικό. Απομακρύνετε τα υπολείμματα νερού από το φίλτρο και αφήστε το να στεγνώσει εντελώς πριν το ξαναχρησιμοποιήσετε. [13] [17]
5. Συναρμολογήστε ξανά το συγκρότημα φίλτρων πριν από τον κινητήρα αφού στεγνώσει εντελώς και βάλτε το και πάλι στη σκούπα.

#### Για πρόσβαση στο φίλτρο εξόδου:

1. Ξεκουμπώστε το κάλυμμα του φίλτρου εξόδου από το πίσω μέρος του κύριου σώματος της σκούπας. [14]
2. Αφαιρέστε το φίλτρο εξόδου από το πίσω μέρος της σκούπας. [15]
3. Τινάζτε ελαφρά και πλύνετε με χλιαρό νερό το φίλτρο. Μη χρησιμοποιείτε καυτό νερό ή απορρυπαντικό. Απομακρύνετε τα υπολείμματα νερού από το φίλτρο και αφήστε το να στεγνώσει εντελώς πριν το ξαναχρησιμοποιήσετε. [16] [17]
4. Τοποθετήστε ξανά το φίλτρο εξόδου στο πίσω μέρος της σκούπας όταν στεγνώσει τελείως και έπειτα τοποθετήστε το κάλυμμα του φίλτρου εξόδου στη θέση του.

**ΕΠΙΣΗΜΑΝΣΗ :** Μη χρησιμοποιείτε το προϊόν εάν προηγουμένως δεν έχετε τοποθετήσει σωστά το σύστημα φίλτρων.

### Καθαρισμός του κάδου απορριμάτων / της μονάδας διαχωρισμού

Η συσκευή χρησιμοποιεί ένα σύστημα διαχωρισμού, μοναδικό για την Hoover. Εάν χρειάζεται η μονάδα διαχωρισμού μπορεί να αποσυναρμολογηθεί από το δοχείο σκόνης και να καθαριστεί.

1. Πατήστε το κουμπί απελευθέρωσης του δοχείου σκόνης και αφαιρέστε το συγκρότημα κάδου από τον καθαριστή. [8]
2. Κρατήστε τον κάδο με το ένα χέρι και με το άλλο χέρι αφαιρέστε το καπάκι του δοχείου σκόνης περιστρέφοντάς το αριστερόστροφα. [9]
3. Αφαιρέστε το δοχείο σκόνης περιστρέφοντας το αριστερόστροφα. Και αφαιρέστε το φίλτρο πριν από τον κινητήρα από το συγκρότημα του δοχείου σκόνης. [10] Και αφαιρέστε τον ανιχνευτή στροβίλου από το δοχείο σκόνης τραβώντας. [11]
4. Αν χρειαστεί χρησιμοποιήστε ένα πανί για να αφαιρέσετε την υπερβολική ποσότητα σκόνης από την επιφάνεια του ανιχνευτή στροβίλου. Επανασυναρμολογήστε τα εσωτερικά

\*Μόνο ορισμένα μοντέλα

\*\* Μόνο για ορισμένα μοντέλα, τα πέλματα ενδέχεται να διαφέρουν ανάλογα με το μοντέλο

εξαρτήματα στον κάδο.

5. Επανασυναρμολογήστε το καπάκι δοχείου σκόνης στο δοχείο σκόνης. Επανατοποθετήστε το δοχείο σκόνης στη σκούπα.

### Απομάκρυνση σκουπιδιού

1. Ελέγξτε εάν το δοχείο σκόνης είναι γεμάτο. Εάν ναι, ανατρέξτε στην ενότητα «Αδειασμα του δοχείου σκόνης».
2. Εάν το δοχείο σκόνης είναι άδειο αλλά η αναρρόφηση εξακολουθεί να είναι χαμηλή
  - A. Μήπως χρειάζονται καθαρίσματα τα φίλτρα; Εάν ναι, ανατρέξτε στην ενότητα «Καθαρισμός των πλενόμενων φίλτρων».
  - B. Ελέγξτε εάν έχει φράξει κάπου αλλού το σύστημα - Χρησιμοποιήστε μια ράβδο ή ένα ξύλο για να αφαιρέσετε το αντικείμενο που φράζει τους αγωγούς ή τον εύκαμπτο σωλήνα.
  - C. Ελέγξτε και καθαρίστε τυχόν αντικείμενα που φράζουν το στόμιο
  - D. Ελέγξτε εάν η μονάδα διαχωρισμού χρειάζεται καθαρισμό. Ανατρέξτε στην ενότητα «Καθαρισμός της μονάδας διαχωρισμού».

**ΠΡΟΕΙΔΟΠΟΙΗΣΗ** - Εάν η σκούπα χρησιμοποιείται για μεγάλο χρονικό διάστημα βουλομένη ένας θερμικός ασφαλειοδιακόπτης θέτει τη σκούπα εκτός λειτουργίας για να αποτρέψει την υπερθέρμανση της. Εάν συμβεί κάτι τέτοιο, θέστε τη σκούπα εκτός λειτουργίας, αποσυνδέστε την από την πρίζα και αποκαταστήστε το πρόβλημα. Θα χρειαστούν περίπου 45 λεπτά για την αυτόματη αποκατάσταση της διακοπής.

## ΚΑΤΑΛΟΓΟΣ ΕΛΕΓΧΟΥ ΧΡΗΣΤΗ

Εάν αντιμετωπίσετε πρόβλημα με το προϊόν, πριν απευθυνθείτε στις υπηρεσίες τεχνικής υποστήριξης Hoover Service, κάντε τους ελέγχους που ακολουθούν.

- Υπάρχει ρεύμα στην πρίζα που έχει συνδεθεί η ηλεκτρική σκούπα; Ελέγξτε το με κάποια άλλη ηλεκτρική συσκευή.
- Το δοχείο σκόνης είναι υπερπλήρες; Ανατρέξτε στην ενότητα «Συντήρηση σκούπας».
- Είναι φραγμένο το φίλτρο; Ανατρέξτε στην ενότητα «Συντήρηση σκούπας».
- Είναι φραγμένο το πέλμα ή ο εύκαμπτος σωλήνας; Ανατρέξτε στο κεφάλαιο «Απομάκρυνση σκουπιδιού από το σύστημα».
- Μήπως υπερθερμάνθηκε η σκούπα; Εάν ναι, η αυτόματη επαναφορά θα διαρκέσει περίπου 30 λεπτά.

## ΣΗΜΑΝΤΙΚΕΣ ΠΛΗΡΟΦΟΡΙΕΣ

### Ανταλλακτικά και αναλώσιμα της Hoover

Όταν παραστεί η ανάγκη χρησιμοποιείτε αποκλειστικά γνήσια ανταλλακτικά Hoover. Τα ανταλλακτικά Hoover διατίθενται από τον τοπικό αντιπρόσωπο Hoover ή απευθείας από τη Hoover. Κατά την παραγγελία εξαρτημάτων να αναφέρετε πάντα τον αριθμό μοντέλου.

### Ποιότητα

Τα εργοστάσια Hoover έχουν ελεγχθεί από ανεξάρτητους φορείς ποιοτικού ελέγχου. Τα προϊόντα μας κατασκευάζονται μέσω ενός συστήματος ποιότητας το οποίο πληροί τις προδιαγραφές του προτύπου ISO 9001.

### Η εγγύησή σας

Οι όροι ισχύος της εγγύησης της συσκευής καθορίζονται από τον αντιπρόσωπο της χώρας στην οποία έχει πραγματοποιηθεί η πώληση. Περισσότερες πληροφορίες σχετικά με τους όρους εγγύησης μπορείτε να ζητήσετε από τον αντιπρόσωπο που αγοράσατε τη συσκευή. Η προσκόμιση του τιμολογίου ή της απόδειξης αγοράς είναι βασική προϋπόθεση για την ισχύ της εγγύησης.

Ο κατασκευαστής διατηρεί το δικαίωμα να επιφέρει αλλαγές χωρίς προγενέστερη ενημέρωση.

## ИНСТРУКЦИИ ПО ТЕХНИКЕ БЕЗОПАСНОСТИ

Данный прибор предназначен только для домашнего использования в соответствии с описанием, приведенным в настоящем Руководстве пользователя. Прежде чем приступить к эксплуатации данного бытового электроприбора, убедитесь в том, что вы понимаете настоящее руководство.

Не оставляйте прибор включенным в розетку. После использования или перед очисткой или обслуживанием всегда вынимайте вилку из розетки.

Дети старше восьми лет, а также лица со сниженным физическим, сенсорным или умственным развитием или отсутствием опыта или знаний об устройстве могут использовать устройство под присмотром или если они должным образом проинструктированы о безопасном использовании устройства и понимают риски, которые может повлечь собой его использование. С устройством не должны играть дети. Не следует допускать детей к очистке и обслуживанию прибора без присмотра взрослых.

Если провод питания поврежден, немедленно отключите прибор. Во избежание угрозы безопасности замену провода питания должен проводить авторизованный инженер сервисной службы HOOVER.

Не приближайте вращающиеся щетки к рукам, ногам, болтающейся одежде и волосам.

Используйте только те насадки, расходные материалы или запасные части, которые рекомендует или поставляет HOOVER.

**Статическое электричество:** Некоторые типы ковровых покрытий способны накапливать небольшой заряд статического электричества. Разряд статического электричества не представляет опасности для здоровья.

Не применяйте прибор вне помещений, на влажных поверхностях или для сбора жидкостей.

Не используйте прибор для сбора острых предметов, спичек, горячего пепла, окурков или аналогичных объектов.

Не распыляйте или не собирайте горючие жидкости, чистящие средства, аэрозоли или прочие пары.

Не перевозите свой прибор через провод питания и не тяните за провод, вынимая вилку из розетки.

В случае неисправности не следует продолжать пользоваться прибором.

**Сервисная служба HOOVER:** Для гарантии безопасной и надежной работы данного прибора мы рекомендуем приглашать авторизованных инженеров сервисной службы HOOVER для выполнения технического обслуживания и ремонта.

Не стойте на проводе и не наматывайте его на руку или ногу в процессе использования прибора.

Не пользуйтесь прибором для очистки животных или людей.

Не размещайте прибор над собой во время уборки лестниц.

### Окружающая среда:

Символ на данном приборе указывает на то, что его нельзя утилизировать вместе с бытовыми отходами. Его необходимо сдавать в соответствующий пункт приема для дальнейшей переработки электрических и электронных частей. Утилизация должна проводиться в соответствии с местными природоохрнительными правилами по утилизации отходов. За более подробной информацией по обращению с данным прибором, его утилизации и переработке обратитесь в местные органы власти, в службу утилизации отходов или в магазин, где вы приобрели данный прибор.



**CE** Данный прибор отвечает требованиям Европейских Директив 2014/35/EU, 2014/30/EU и 2011/65/EU.

HOOVER Limited, Pentrebach, Merthyr Tydfil, Mid Glamorgan, CF48 4TU, UK

## ПОЗНАКОМЬТЕСЬ С КОНСТРУКЦИЕЙ ВАШЕГО ПЫЛЕСОСА

- |  |   |
|--|---|
| A. Регулятор всасывания                    | M. Контейнер для сбора пыли                         |
| B. Рукоятка шланга                         | N. Сливная насадка                                  |
| C. Телескопическая труба                   | O. Промываемый фильтр                               |
| D. Кнопка Вкл./Выкл.                       | P. Кнопка отсоединения контейнера для сбора пыли    |
| E. Крышка выпускного фильтра               | Q. Выпускной фильтр                                 |
| F. Насадка для чистки ковров и пола (GP)** | R. Насадка "2 в 1"                                  |
| F1. Насадка для ковров (CA)**              | S. Мини турбо насадка для удаления шерсти животных* |
| F2. Насадка для твердых покрытий (HF)**    | T. Мини турбо насадка для удаления аллергенов*      |
| G. Переключатель типа пола                 | U. Большая Турбо насадка*                           |
| H. Посадочное место                        | V. Насадка для паркета*                             |
| I. Кнопка катушки с проводом               |   |
| J. Корпус пылесоса                         |   |
| K. Шланг                                   |   |
| L. Крышка контейнера для сбора пыли        |   |

## СБОРКА ПЫЛЕСОСА

Извлеките составные части пылесоса из упаковки.

1. Присоедините шланг к корпусу пылесоса, следя за тем, чтобы он вошёл в гнездо и встал в правильном положении. [1]
2. Для того, чтобы отсоединить шланг, нажмите кнопку на конце шланга и потяните его на себя.
3. Подсоедините рукоятку шланга к верхнему краю выдвижной трубы [2] или закрепите аксессуары при необходимости.
4. Соедините нижний край выдвижной трубы с насадкой для чистки ковров или твердых напольных покрытий [3] или закрепите аксессуары при необходимости.

## ЭКСПЛУАТАЦИЯ ПЫЛЕСОСА

1. Вытяните шнур питания на нужную длину и включите вилку шнура в электрическую розетку. Запрещается вытягивать шнур далее красной отметки! [4]
2. Установите телескопическую трубу на нужной высоте, передвигая регулятор телескопической трубы вверх, и поднимите или опустите рукоятку в удобное положение. [5]
3. Насадка для чистки ковров и пола\*\*. Нажмите переключатель напольного покрытия на насадке [6], чтобы выбрать идеальный режим уборки в зависимости от типа пола.  
**Твердое напольное покрытие** – Для защиты напольного покрытия щетки опущены  
**Ковровое покрытие** – Для более глубокой очистки щетки подняты.
4. Включите пылесос, нажав педаль вкл./выкл. на главном корпусе пылесоса. [7]
5. Установите регулятор мощности всасывания, расположенный на рукоятке, на нужный уровень.
6. Завершив очистку, выключите пылесос, нажав кнопку Вкл./Выкл. Выньте вилку из розетки и нажмите кнопку катушки провода, чтобы намотать провод на катушку внутри корпуса пылесоса.

### ПОЛОЖЕНИЯ ОСТАНОВКИ И ХРАНЕНИЯ

Трубу с насадкой можно установить в специальное крепление в задней части пылесоса для хранения между уборками или временно в ходе использования.

\*Только у конкретных моделей

\*\* Только для некоторых моделей. Форма насадки может меняться в зависимости от модели.

## ДОПОЛНИТЕЛЬНЫЕ ПРИСПОСОБЛЕНИЯ И ПРИНАДЛЕЖНОСТИ

Для достижения лучшей производительности и энергоэффективности <sup>#1</sup> рекомендуется правильно использовать насадки для основных операций уборки. Эти насадки обозначены на схеме буквами **GP**, **HF** или **CA**.

Насадку типа **GP** можно использовать для очистки как ковров, так и твердых напольных покрытий.

Насадка типа **HF** подходит только для твердых напольных покрытий.

Насадка типа **CA** подходит только для ковров.

Прочие насадки являются аксессуарами для особых видов уборки и рекомендуются для использования только в определенных случаях.

Важно отметить, что данный пылесос поставляется с маркировкой энергоэффективности согласно требованиям Постановления Совета ЕС 665/2013/EU.

Если в левой части этикетки значок ковра заключен в красный запрещающий круг, это означает, что данный пылесос не пригоден для уборки ковров.

Если в правой части этикетки значок твердого напольного покрытия заключен в красный запрещающий круг, это означает, что данный пылесос не пригоден для уборки полов с твердым покрытием.

<sup>#1</sup> **ПРИМЕЧАНИЕ:** Мощность сбора пыли с ковровых покрытий, мощность сбора пыли с твердых напольных покрытий и энергоэффективность отвечают нормам Постановлений Совета ЕС 665/2013/EU и 666/2013/EU.

Все аксессуары могут установлены на трубке.

**Насадка 2 в 1** выполняет одновременно несколько функций:

**Щелевая насадка** – Предназначена для очистки углов и труднодоступных мест.

**Щетка для удаления пыли** – Предназначена для чистки книжных полок, рамок картин, компьютерных клавиатур и прочих деликатных поверхностей.

**Мини турбо насадка для удаления шерсти животных\*** – Мини турбо щетка предназначена для чистки лестниц или глубокой очистки тканевых поверхностей и других труднодоступных для чистки мест. Особенно подходит для удаления шерсти животных.

**Мини турбо насадка для удаления аллергенов\*** – Мини турбо щетка предназначена для чистки лестниц или глубокой очистки тканевых поверхностей и других труднодоступных для чистки мест. Особенно подходит для удаления аллергенов.

**Насадка для паркета\*** – Для паркетных полов и других напольных покрытий, требующих осторожного обращения.

**ВНИМАНИЕ!** Не используйте Мини Турбо насадку на коврах с длинным ворсом, больше 15 мм, и на шкурах животных **Запрещается держать насадку в неподвижном положении, в то время как вращается щётка.**

## ТЕХНИЧЕСКОЕ ОБСЛУЖИВАНИЕ ПЫЛЕСОСА

### Очистка пылесборника

Когда пыль в контейнере накопится до максимального уровня, указываемого индикатором, контейнер следует опорожнить.

**ВНИМАНИЕ!** Для поддержания оптимальной производительности не следует допускать накопления пыли выше максимального уровня.

1. Отключите пылесос с помощью главного выключателя и выньте шнур питания из розетки.



2. Нажмите кнопку спуска контейнера и выньте контейнер из пылесоса. [8]
3. Удерживая контейнер для сбора пыли одной рукой, снимите с него крышку, повернув ее против часовой стрелки. [9]
4. Снимите промываемый фильтр двигателя с контейнера. [10]
5. Снимите сливную насадку с контейнера. [11]
6. Удалите пыль из пылесборника. [12]
7. Установите на место сливную насадку и промываемый фильтр двигателя.
8. Снова установите крышку на контейнер для сбора пыли.
9. Закройте крышку и верните контейнер в главный корпус пылесоса.

### Очистка моющихся фильтров

Запрещается использование пылесоса без мешка для сбора пыли или установленного фильтра. Для сохранения оптимальной производительности регулярно снимайте фильтры и для удаления пыли выбивайте их о края мусорного бака. Фильтры необходимо мыть после каждых 5 опустошений контейнера или в том случае, если на фильтре скопился большой слой пыли.

**ВНИМАНИЕ!** Фильтры всех безмешочных вариантов пылесосов нуждаются в регулярной очистке. Если фильтры не чистятся, это может привести к блокировке воздушного потока, перегреву и поломке пылесоса. Это может привести к аннулированию вашей гарантии.

**ВНИМАНИЕ!** Регулярно проверяйте фильтры и производите их чистку.

**ВНИМАНИЕ!** Убедитесь в том, что фильтр перед использованием просушен.

### Чтобы вынуть фильтры:

1. Выньте контейнер для сбора пыли из пылесоса. [8]
2. Удерживая контейнер для сбора пыли одной рукой, снимите с него крышку, повернув ее против часовой стрелки. [9]
3. Снимите промываемый фильтр двигателя с контейнера. [10]
4. Аккуратно простучите и промойте фильтр. Запрещается промывка горячей водой или моющими средствами. Отожмите паралоновый фильтр и оставьте его для просушки перед повторным использованием. [13] [17]
5. Хорошо просушив фильтр двигателя, верните его на место в контейнере и установите контейнер в пылесос.

### Для извлечения выходного фильтра выполните следующие действия:

1. Откройте зажим фильтра в задней части главного корпуса пылесоса. [14]
2. Снимите фильтр с пылесоса. [15]
3. Аккуратно вытрясите и промойте фильтр тёплой водой. Запрещается промывка горячей водой или моющими средствами. Отожмите паралоновый фильтр и оставьте его для просушки перед повторным использованием. [16] [17]
4. Хорошо просушив, верните фильтр на место в пылесосе и установите крышку.

**ВНИМАНИЕ!** Использование пылесоса без установленного в него фильтра запрещено!

### Очистка пылесборника / Очистка отделения

В пылесосах Hoover используется уникальная система фильтрации. При необходимости данное отделение можно снять и промыть.

1. Нажмите кнопку спуска контейнера для сбора пыли и выньте его из пылесоса. [8]
2. Удерживая контейнер одной рукой, другой снимите с него крышку, открутив ее против часовой стрелки. [9]
3. Снимите крышку с контейнера для сбора пыли, повернув ее против часовой стрелки. Выньте промываемый фильтр двигателя из контейнера. [10] Затем выньте сливную насадку из контейнера, потянув за нее. [11]
4. При необходимости салфеткой удалите излишки пыли с поверхности сливной

\*Только у конкретных моделей

\*\* Только для некоторых моделей. Форма насадки может меняться в зависимости от модели.

- насадки. Установите на место внутренние компоненты контейнера для сбора пыли.
5. Установите крышку на контейнер для сбора пыли. Установите пылесборник в корпус пылесоса.

### Устранение засоров

1. Убедитесь, что пылесборник заполнен. Если так, см. раздел «Очистка пылесборника».
2. Если пылесборник пуст, а всасывание остается низким;
  - A. Требуется ли прочистить фильтры? Если да, см. раздел «Очистка моющихся фильтров».
  - B. Убедитесь в отсутствии других засоров в пылесосе. - Прочистите телескопическую трубу или гибкий шланг при помощи стержня или палки.
  - C. Проверьте насадку и удалите весь засор.
  - D. Проверьте не нуждается ли сепаратор в очистке. См. раздел 'Очистка отделения'.

**ВНИМАНИЕ!** - Если пылесос используется с забитым шлангом в течение длительного времени, реле тепловой защиты отключит его во избежание перегрева. В этом случае выключите пылесос, отсоедините его от сети питания и замените мешок. Реле тепловой защиты автоматически вернется в исходное положение через 45 минут.

## АНКЕТА ПОЛЬЗОВАТЕЛЯ

Если у Вас возникли затруднения в ходе эксплуатации пылесоса, попробуйте установить причины мелких неполадок перед обращением в местный сервисный центр продукции Hoover.

- Подается ли электричество к пылесосу? Проверьте наличие электричества с помощью любого электрического прибора.
- Не переполнен ли контейнер для сбора пыли? См. раздел «Техническое обслуживание пылесоса».
- Не засорился ли фильтр? См. раздел «Техническое обслуживание пылесоса».
- Не засорились ли шланг или насадка? См. раздел «Устранение засоров в системе»..
- Не перегрелся ли пылесос? Если это так, примерно через 30 минут он снова станет работоспособным.

## ВАЖНАЯ ИНФОРМАЦИЯ

### Запасные части и расходные материалы компании Hoover

При замене частей используйте только оригинальные запасные части и расходные материалы компании Hoover. Их можно приобрести у вашего местного дилера компании Hoover или непосредственно в компании Hoover. При оформлении заказа на запасные части обязательно указывайте номер модели пылесоса.

### Требования к качеству продукции

Заводы компании Hoover прошли независимую оценку на предмет соблюдения требований к качеству выпускаемой продукции. Наша продукция изготавливается с применением системы качества, удовлетворяющей требованиям стандарта ISO 9001.

### Ваша гарантия

Условия гарантии для данного бытового электрического прибора определяются нашим представительством в той стране, в которой этот электроприбор был куплен. Более подробную информацию об этих условиях вы можете получить от нашего дилера. При предъявлении претензий по условиям данных гарантийных обязательств необходимо предъявить чек или квитанцию на проданный товар.

Изменения могут быть внесены без предварительного уведомления.

## INSTRUKCJE BEZPIECZNEGO UŻYTKOWANIA

Urządzenie to jest przeznaczone wyłącznie do użytku domowego w sposób opisany w niniejszej instrukcji użytkownika. Prosimy o dokładne zapoznanie się z instrukcją przed rozpoczęciem używania odkurzacza.

Nie pozostawiać urządzenia podłączonego do gniazdka zasilającego. Należy zawsze wyłączać urządzenie i wyjmować wtyczkę przewodu zasilającego z gniazdka po zakończeniu użytkowania, a także przed przystąpieniem do czyszczenia lub wykonywania jakichkolwiek czynności konserwacyjnych.

Urządzenie mogą obsługiwać dzieci w wieku co najmniej 8 lat, osoby o ograniczonych zdolnościach fizycznych, sensorycznych lub mentalnych, a także osoby nieposiadające odpowiedniego doświadczenia oraz wiedzy, jedynie pod warunkiem że odbywać się będzie to pod nadzorem lub po przeszkoleniu na temat bezpiecznego użycia urządzenia oraz związanych z nim zagrożeń. Dzieci nie mogą bawić się urządzeniem. Urządzenia nie powinny czyścić ani konserwować dzieci bez nadzoru.

Jeśli przewód zasilający uległ uszkodzeniu, należy natychmiast zaprzestać korzystania z urządzenia. Ze względów bezpieczeństwa przewód zasilający powinien być wymieniany wyłącznie przez serwisanta autoryzowanego punktu serwisowego HOOVER.

Nie zbliżać rąk, stóp, luźnej odzieży ani włosów do obracających się szczotek.

Należy korzystać wyłącznie z końcówek, materiałów eksploatacyjnych oraz części zamiennych zalecanych lub dostarczonych przez firmę HOOVER.

**Ładunki elektrostatyczne:** Odkurzanie niektórych dywanów może powodować niewielkie naelektryzowanie się urządzenia. Tego rodzaju ładunki elektrostatyczne nie stanowią zagrożenia dla zdrowia.

Nie używać urządzenia na zewnątrz domu, do odkurzania mokrych powierzchni ani do zbierania wody.

Nie wolno wciągać twardych lub ostrych przedmiotów, zapalek, gorącego popiołu, niedopałków papierosów ani innych podobnych przedmiotów.

Nie spryskiwać łatwopalnymi cieczami, środkami czyszczącymi w aerozolu ani parą.

Nie stąpać po przewodzie zasilającym podczas korzystania z urządzenia i nie wyjmować wtyczki, ciągnąc za przewód zasilający.

Nie kontynuować eksploatacji uszkodzonego urządzenia.

**Serwis firmy HOOVER:** Aby zapewnić bezpieczne i sprawne działanie tego urządzenia, zalecamy zlecenie prac serwisowych lub napraw wyłącznie serwisantom autoryzowanego punktu serwisowego firmy HOOVER.

Nie stawać na przewodzie zasilającym i nie owijać go sobie wokół rąk lub nóg podczas korzystania z urządzenia.


Nie używać urządzenia do odkurzania ludzi lub zwierząt.

Nie ustawiać urządzenia powyżej swojego poziomu podczas odkurzania schodów.

### Ochrona środowiska

Symbol umieszczony na urządzeniu oznacza, że nie jest ono klasyfikowane jako odpad z gospodarstwa domowego. Urządzenie należy zdać w odpowiednim punkcie utylizacji w celu recyklingu komponentów elektrycznych i elektronicznych. Urządzenie należy złomować zgodnie z lokalnymi przepisami w sprawie utylizacji odpadów. Dodatkowe informacje na temat sposobu utylizacji, złomowania i recyklingu urządzenia można uzyskać w lokalnym urzędzie miejskim, w komunalnym zakładzie utylizacji odpadów lub w sklepie, w którym produkt został zakupiony.



 Urządzenie spełnia wymogi europejskich norm 2014/35/WE, 2014/30/WE oraz 2011/65/WE.

HOOVER Limited, Pentrebach, Merthyr Tydfil, Mid Glamorgan, CF48 4TU, UK

## ELEMENTY ODKURZACZA

- |                                       |   |
|---------------------------------------|---|
| A. Regulator siły ssania              | K. Wąż  |
| B. Uchwyt na wąż                      | L. Pokrywa pojemnika na kurz                        |
| C. Rura teleskopowa                   | M. Pojemnik na kurz                                 |
| D. Pedał wł./wył.                     | N. Rurka wirowa                                     |
| E. Pokrywa filtra wywiewnego          | O. Filtr przed silnikiem                            |
| F. Szczotka dywanowo-podłogowa (GP)** | P. Przycisk zwalniający pojemnik na kurz            |
| F1. Ssawka do dywanów (CA)**          | Q. Filtr wylotowy                                   |
| F2. Ssawka do twardych podłóg (HF)**  | R. Szczotka 2 w 1                                   |
| G. Przełącznik typu podłogi           | S. Turboszczotka mini do usuwania sierści zwierząt* |
| H. Gniazdo blokujące                  | T. Turboszczotka mini do usuwania alergenów*        |
| I. Pedał zwijania przewodu            | U. Turboszczotka Grand*                             |
| J. Obudowa główna odkurzacza          | V. Szczotka do parkietów*                           |

## MONTAŻ ODKURZACZA

Wymij wszystkie elementy z opakowania.

- Podłącz wąż do obudowy głównej odkurzacza, upewniając się, że został zatrzaśnięty i zablokowany na swoim miejscu. [1]
- Aby zwolnić: naciśnij przycisk na końcówce węża i pociągnij.
- Podłącz uchwyt węża do górnej końcówki rury przedłużającej [2] lub zamocuj ewentualne akcesoria.
- Podłącz dolną końcówkę rury przedłużającej do ssawki dywanowej lub podłogowej [3] bądź do ewentualnych akcesoriów.

## KORZYSTANIE Z ODKURZACZA

- Wyciągnij przewód zasilający i podłącz go do zasilania. Nie należy wyciągać przewodu poza czerwony znacznik. [4]
- Ustaw rurę teleskopową na żądaną wysokość, przesuwając jej regulację w górę i podnosząc lub opuszczając uchwyt do najwygodniejszego położenia. [5]
- Szczotka dywanowo-podłogowa\*\*. Naciśnij przełącznik typu podłogi na szczotce [6], aby wybrać tryb odkurzenia właściwy dla danego typu powierzchni.
 

**Twarda podłoga** – Szczotki są obniżone, aby chronić podłogę.

**Dywan** – Szczotki są uniesione, aby umożliwić głębsze odkurzenie.
- Włącz urządzenie naciskając przycisk on/off. [7]
- Ustaw moc ssania na uchwycie na żądany poziom.
- Po zakończeniu pracy wyłącz odkurzacza za pomocą pedału Wł./Wył. Wymij wtyczkę z gniazdka i naciśnij pedał zwijania przewodu, aby zwinąć go z powrotem do odkurzacza.

## PRZERWA W PRACY I PRZECHOWYWANIE

Rurę można na stałe lub chwilowo podczas użytkowania przechowywać w tylnej części odkurzacza.

\*Tylko w niektórych modelach

\*\* Jedynie w niektórych modelach. Końcówki mogą się różnić w zależności od modelu

## DODATKOWE AKCESORIA

Aby uzyskać optymalne wyniki oraz wydajność energetyczną<sup>#1</sup>, zaleca się stosowanie prawidłowych końcówek podczas głównych czynności czyszczenia. Ssawki są wskazane na schematach i oznaczone literami **GP**, **HF** lub **CA**.

Ssawką typu **GP** można odkurzać zarówno dywany, jak i twarde podłogi.

Ssawka typu **HF** jest odpowiednia tylko do odkurzania twardych podłóg.

Ssawka typu **CA** jest odpowiednia tylko do odkurzania dywanów.

Pozostałe ssawki to akcesoria do specjalistycznych zadań czyszczących. Zaleca się używać ich jedynie okazjonalnie.

Należy podkreślić, że niniejszy odkurzacza jest dostarczany wraz z etykietą energetyczną zgodnie z wymogami Rozporządzenia (UE) 665/2013.

Jeśli na etykiecie znajduje się czerwony znak zakazu umieszczony na symbolu dywanu, oznacza to, że ten odkurzacza nie nadaje się do odkurzania dywanów.

Jeśli na etykiecie znajduje się czerwony znak zakazu umieszczony na symbolu twardej podłogi, oznacza to, że ten odkurzacza nie nadaje się do odkurzania twardych podłóg

**#1 UWAGA:** Wskaźnik zbierania kurzu na dywanie, wskaźnik zbierania kurzu na dywanie oraz klasa efektywności energetycznej zgodnie z Regulacjami Komisji (UE) 665/2013 i 666/2013.

Wszystkie akcesoria mogą zostać zamocowane na uchwycie węża lub końcach rur.

**Narzędzie 2 w jednym** łączy kilka funkcji w jedną:

**Ssawka szczelinowa** – Do odkurzania kątów i innych trudno dostępnych miejsc.

**Szczotka do kurzu** – Do półek z książkami, ram obrazów, klawiatur i innych delikatnych miejsc.

**Turboszczotka mini do usuwania sierści zwierząt\*** - Turboszczotka mini służy do odkurzania schodów lub głębokiego odkurzania powierzchni pokrytych tkaninami i innych trudnych do czyszczenia powierzchni. Nadaje się w szczególności do usuwania sierści zwierząt.

**Turboszczotka mini do usuwania alergenów\*** – Turboszczotka mini służy do odkurzania schodów lub głębokiego odkurzania powierzchni pokrytych tkaninami i innych trudnych do czyszczenia powierzchni. Nadaje się w szczególności do usuwania alergenów.

**Szczotka do parkietów\*** – Do parkietów i innych delikatnych powierzchni podłogowych.

**WAŻNE:** Nie należy korzystać z turboszczotek mini do odkurzania dywaników z długimi frędzlami, skór zwierzęcych i puszystych dywanów o włosie dłuższym niż 15 mm. **Nie trzymać ssawki nieruchomo, gdy szczotka się obraca.**

## KONSERWACJA URZĄDZENIA

### Opróżnianie pojemnika na kurz

Gdy poziom kurzu osiągnie maksymalny poziom na wskaźniku zapelnienia pojemnika, należy opróżnić pojemnik na kurz.

**WAŻNE:** Aby uzyskać optymalną wydajność, nie wolno pozwolić, aby poziom kurzu przekroczył maksymalny poziom.

- Wyłączyć odkurzacza i wyjąć wtyczkę przewodu zasilającego z gniazdka.
- Naciśnięcie przycisk zwalniający pokrywą pojemnika na kurz i wyjąć zestaw pojemnika na kurz z odkurzacza. [8]

- Przytrzymać jedną ręką pojemnik na kurz i obrócić pokrywę pojemnika w stronę przeciwną do ruchu wskazówek zegara, aby ją zdjąć. [9]
- Wyjąć zestaw filtra przed silnikiem z zestawu pojemnika na kurz. [10]
- Wyjąć rurkę wirową z zestawu pojemnika na kurz. [11]
- Usuń kurz z pojemnika. [12]
- Zamontować z powrotem rurkę wirową oraz zestaw filtra przed silnikiem w zestawie pojemnika na kurz.
- Założyć z powrotem pokrywę pojemnika na kurz na zastaw kosza.
- Zamknąć i zamocować z powrotem na głównym korpusie odkurzacza.

### Czyszczenie filtrów zmywalnych

Odkurzacze wyposażony jest w silnik i filtr wydechowy. Aby zapewnić optymalną wydajność odkurzania, należy regularnie wymieniać filtry i opukiwać je o bok pojemnika na kurz, aby usunąć kurz. Filtry należy myć co 5 opróżnień pojemnika lub gdy przekroczony zostanie poziom kurzu dla filtra.

**WAŻNE: Wszystkie bezworkowe odkurzacze wymagają regularnego czyszczenia filtrów. Niedostateczne czyszczenie filtrów może doprowadzić do zapchania, przegrzania i uszkodzenia odkurzacza. Może to spowodować wygaśnięcie gwarancji.**

**WAŻNE:** Należy regularnie sprawdzać i konserwować filtry.

**WAŻNE:** Przed założeniem zestawu filtra należy zawsze upewnić się, że całkowicie wysechł.

#### Aby uzyskać dostęp do filtra:

- Wyjąć pojemnik na kurz z odkurzacza. [8]
- Przytrzymać jedną ręką pojemnik na kurz i obrócić pokrywę pojemnika w stronę przeciwną do ruchu wskazówek zegara, aby ją zdjąć. [9]
- Wyjąć zestaw filtra przed silnikiem z zestawu pojemnika na kurz. [10]
- Delikatnie opukać i umyć filtr przed silnikiem. Nie stosować gorącej wody ani detergentów. Wyciśnij nadmiar wody z filtra i pozostaw do całkowitego wyschnięcia przed ponownym założeniem. [13] [17]
- Po całkowitym wyschnięciu zmontować zestaw filtra przed silnikiem i zamocować z powrotem w odkurzaczu.

#### Aby uzyskać dostęp do filtra wylotowego:

- Zwolnić pokrywę filtra wywiewnego w tylnej części odkurzacza. [14]
- Wyjąć filtr wywiewny z tylnej części odkurzacza. [15]
- Ostrożnie usunąć kurz i umyć w ciepłej wodzie filtr. Nie stosować gorącej wody ani detergentów. Wyciśnij nadmiar wody z filtra i pozostaw do całkowitego wyschnięcia przed ponownym założeniem. [16] [17]
- Po całkowitym wyschnięciu zamontować filtr wylotowy w tylnej części odkurzacza i założyć pokrywę filtra.

**WAŻNE:** Nie należy używać urządzenia bez założonego zestawu filtra.

### Czyszczenie pojemnika na kurz/separatora

W odkurzaczu zastosowany system separacji opracowany przez firmę Hoover. W razie potrzeby separator można wyjąć z pojemnika na kurz i wyczyścić.

- Nacisnąć przycisk zwalniający pokrywę pojemnika na kurz i wyjąć zestaw pojemnika na kurz z odkurzacza. [8]
- Przytrzymać jedną ręką pojemnik na kurz, a drugą ręką obrócić pokrywę pojemnika w stronę przeciwną do ruchu wskazówek zegara, aby ją zdjąć. [9]
- Obrócić pokrywę pojemnika na kurz w stronę przeciwną do ruchu wskazówek zegara, aby

ją zdjąć. Wyjąć zestaw filtra przed silnikiem z zestawu pojemnika na kurz. [10] Następnie pociągnąć rurkę wirową, aby wyjąć ją z pojemnika na kurz. [11]

- W razie potrzeby ściereczką wytrzeć nadmiar kurzu z powierzchni rurki wirowej. Zamontować z powrotem wewnętrzne komponenty w pojemniku.
- Zamontować pokrywę pojemnika na kurz z powrotem na pojemniku. Zamocuj pojemnik z powrotem w odkurzaczu.

### Usuwanie niedrożności

- Sprawdź, czy pojemnik na kurz jest pełny. Jeśli tak, zob. rozdział „Opróżnianie pojemnika na kurz”.
- Jeśli pojemnik na kurz jest pusty, ale siła ssania jest nadal niedostateczna:
  - Czy trzeba wyczyścić filtry? Jeśli tak, zobacz rozdział „Czyszczenie filtrów zmywalnych”.
  - Sprawdź, czy występują jakiegokolwiek niedrożności w układzie. - Za pomocą patyka lub pręta przetkać rury lub wąż.
  - Sprawdź, czy w szczotce nie powstała niedrożność; w razie konieczności usunąć ją
  - Sprawdź, czy separator wymaga czyszczenia. Zobacz rozdział „Czyszczenie separatora”.

**OSTRZEŻENIE** - Jeżeli odkurzacze jest używany przez dłuższy czas pomimo zapchania, zabezpieczenie termiczne wyłączy odkurzacze, aby nie dopuścić do jego przegrzania. W takim wypadku należy wyłączyć odkurzacze, wyjąć wtyczkę z gniazdka elektrycznego i skorygować problem. Zabezpieczenie termiczne zostanie automatycznie wyzerowane po około 45 minutach.

### LISTA KONTROLNA UŻYTKOWNIKA

W razie wystąpienia problemu z urządzeniem należy skorzystać z poniższej prostej listy kontrolnej użytkownika przed skontaktowaniem się z lokalnym serwisem firmy Hoover.

- Czy gniazdko, do którego podłączono odkurzacze, jest pod napięciem? Sprawdź gniazdko elektryczne, podłączając do niego inne urządzenie elektryczne.
- Czy pojemnik na kurz jest przepełniony? Zobacz rozdział „Konserwacja odkurzacza”.
- Czy filtr jest niedrożny? Zobacz rozdział „Konserwacja odkurzacza”.
- Czy wąż lub szczotki są zatkane? Zobacz rozdział „Usuwanie niedrożności z układu”.
- Czy nie nastąpiło przegrzanie odkurzacza? W przypadku przegrzania odkurzacze automatycznie ponownie uruchomi się po około 30 minutach.

### WAŻNE INFORMACJE

#### Części zapasowe i materiały eksploatacyjne firmy Hoover

Należy zawsze wymieniać części na oryginalne części zapasowe firmy Hoover. Można je nabyć w lokalnym serwisie firmy Hoover lub bezpośrednio w firmie Hoover. Przy zamawianiu części zawsze należy podać numer danego modelu.

#### Jakość

Fabryki firmy Hoover zostały poddane niezależnej kontroli pod kątem jakości. Nasze produkty zostały wytworzone z wykorzystaniem systemu kontroli jakości spełniającego wymogi normy ISO 9001.

#### Gwarancja

Warunki gwarancji na niniejsze urządzenie są określone przez naszego przedstawiciela w kraju, w którym urządzenie jest sprzedawane. Szczegółowe informacje na temat warunków gwarancji można uzyskać w punkcie, w którym urządzenie zostało nabyte. Przy zgłaszaniu wszelkich roszczeń w ramach gwarancji należy przedstawić dowód sprzedaży lub pokwitowanie.

Zastrzegamy sobie możliwość wprowadzania zmian bez wcześniejszego powiadomienia.

\*Tylko w niektórych modelach

\*\* Jedynie w niektórych modelach. Końcówki mogą się różnić w zależności od modelu

## NÁVOD K BEZPEČNÉMU POUŽITÍ

Tento vysavač by měl být používán pouze pro úklid domácnosti a v souladu s touto uživatelskou příručkou. Než začnete spotřebič používat, ujistěte se, že rozumíte tomuto návodu.

Nenechávejte zařízení zapnuté v zásuvce. Před čištěním nebo jakoukoli údržbou zařízení vždy vypněte a síťovou šňůru vytáhněte ze zásuvky.

Tento přístroj smí používat děti od 8 let výše a osoby se sníženými fyzickými, smyslovými nebo mentálními schopnostmi nebo s nedostatkem zkušeností a znalostí, pokud mají dozor nebo jim byly dány pokyny týkající se bezpečného používání tohoto přístroje a byly seznámeny s možnými riziky jeho používání. S přístrojem si nesmí hrát děti. Čištění a údržbu nesmí provádět děti bez dohledu.

Jestliže je poškozena síťová šňůra, okamžitě přestaňte zařízení používat. aby jste se vyhnuli ohrožení bezpečnosti, napájecí kabel musí být vyměněn autorizovaným technikem společnosti HOOVER.

Udržujte dostatečnou vzdálenost rukou, nohou, volného oděvu a vlasů z dosahu otočných kartáčů.

Používejte výhradně příslušenství, spotřební materiál a náhradní díly doporučené nebo dodávané firmou HOOVER.

**Statická elektřina** Při čištění některých koberců vzniká malé množství statické elektřiny. Výboje statické elektřiny neohrožují zdraví.

Nepoužívejte Vaše zařízení venku, na mokré povrchy nebo na mokrá vysávání.

Nevysávejte tvrdé nebo ostré předměty, zápalky, žhavý popel,

cigaretové nedopalky a podobné předměty.

Nestříkejte na zařízení hořlavé spreje, čisticí tekutiny, barvy ani jejich výpary.

Během použití zařízení nepřejíždějte přes síťovou šňůru a nevytahujte síťový kabel ze zásuvky taháním za šňůru.

Spotřebič nepoužívejte, pokud je vadný.

**Servis HOOVER** Pro zajištění vždy bezpečné a efektivní práce s přístrojem doporučujeme, aby jakékoliv servisní práce nebo opravy prováděl pouze autorizovaný servisní pracovník společnosti Hoover.

Během použití zařízení nestůjte na síťové šňůře ani si ji neovíjete kolem paží či nohou.

Nepoužívejte zařízení pro čištění zvířat a osob.

Při úklidu schodů nestavte zařízení na vyšší schod, než se nacházíte vy.

### Životní prostředí

Symbol na tomto zařízení označuje, že tento výrobek nesmí být likvidován jako domovní odpad. Zařízení musí být předáno do příslušného sběrného místa pro likvidaci elektrických a elektronických zařízení. Likvidace musí proběhnout v souladu s místními ekologickými předpisy pro likvidaci odpadu. Pro další podrobné informace o zacházení, regeneraci a likvidaci tohoto zařízení prosím kontaktujte Váš místní úřad, společnost pro sběr odpadu nebo obchod, kde jste jej zakoupili.



Tento spotřebič je v souladu s evropskými směrnicemi 2014/35/EU, 2014/30/EU a 2011/65/EU.

HOOVER Limited, Pentrebach, Merthyr Tydfil, Mid Glamorgan, CF48 4TU, UK

## SEZNÁMENÍ S VYSAVAČEM

- |                                       |   |
|---------------------------------------|---|
| A. Regulátor sání                     | K. Hadice                               |
| B. Madlo hadice                       | L. Víko zásobníku na prach              |
| C. Teleskopická trubka                | M. Zásobník na prach                    |
| D. Pedál Zap/Vyp                      | N. Přepadová trubka                     |
| E. Kryt výstupního filtru             | O. Vstupní filtr                        |
| F. Hubice na koberce a podlahy (GP)** | P. Západka zásobníku na nečistoty       |
| F1. Hubice na koberce (CA)**          | Q. Výstupní filtr                       |
| F2. Hubice na tvrdé podlahy (HF)**    | R. Příslušenství 2 v 1                  |
| G. Volič typu podlahy                 | S. Mini turbo hubice na zvířecí srst*   |
| H. Parkovací slot                     | T. Miniturbohubice na čištění alergenů* |
| I. Pedál pro navíjení kabelu          | U. Velká turbohubice*                   |
| J. Hlavní tělo čističe                | V. Hubice na údržbu parket*             |

## SESTAVENÍ VYSAVAČE

Vybalte všechny díly vysavače.

- Připojte hadici k vysavači a přesvědčte se, že je spolehlivě zajištěna v provozní poloze. [1]
- Při uvolnění: jednoduše stiskněte dvě tlačítka na hadici a zatáhněte za ni.
- Připojte madlo hadice k horní teleskopické trubici [2], případně k příslušenství.
- Připojte spodní konec trubice k hubici na koberce a podlahu [3], případně k příslušenství.

## JAK POUŽÍVAT VYSAVAČ

- Vytáhněte přívodní kabel a připojte k elektrické síti. Konec šňůry označuje červená značka. [4]
- Nastavte teleskopickou trubici do požadované výšky přesunutím seřizovacího tlačítka teleskopické trubice a pohybujte držadlem nahoru nebo dolů do polohy nejpohodlnější pro vysávání. [5]
- Hubice na koberce a podlahy\*\*. Sešlápněte volič druhu podlahy na hubici [6] a zvolte režim čištění vhodný pro daný typ podlahy.
  - Tvrdá podlaha** – Štětiny jsou vysunuté, aby nedošlo k poškrábání podlahy.
  - Koberce** – Štětiny jsou zasunuté, aby bylo zajištěno účinné čištění.
- Zapněte čistič stlačením pedálu Zap/Vyp na hlavní části čističe. [7]
- Regulátor sání na madle uveďte do požadované polohy.
- Po ukončení čištění vypněte čistič stlačením pedálu Zap/Vyp. Vytáhněte kabel ze zásuvky a stisknutím zpátečního tlačítka navíječe navíjete šňůru do čističe.

## ODDÍL O ULOŽENÍ A SKLADOVÁNÍ

Pro uskladnění nebo dočasné uložení v případě používání lze trubici uložit na zadní část čističe.

\*Pouze u některých modelů

\*\* Pouze některé modely, hubice se může lišit dle modelu

## PŘÍSLUŠENSTVÍ

Chcete-li získat co nejlepší výkon a energetickou účinnost<sup>#1</sup> je doporučeno, aby byly použité správné trysky pro hlavní čističí operace. Tyto trysky jsou uvedeny v diagramech písmeny **GP**, **HF** nebo **CA**.

Trysku typu **GP** lze použít jak pro čištění koberce tak na tvrdé podlahy.

Tryska typu **HF** je vhodá pouze pro použití na tvrdé podlahy.

Tryska typu **CA** je vhodná pouze pro použití na koberce.

Další trysky jsou příslušenství pro specializovaná čištění a jsou doporučeny pouze pro příležitostná použití.

Je důležité si uvědomit, že tento vysavač je dodáván s energetickým štítkem podle požadavků Evropského nařízení (EU) 665/2013.

Je-li označení na štítku zákazový červený kruh na levé straně pokrývající symbol koberce, pak to znamená, že vysavač není vhodné použít na koberce.

Je-li označení na štítku zákazový červený kruh na pravé straně pokrývající symbol tvrdé podlahy, pak to znamená, že vysavač není vhodné použít na tvrdé podlahy.

**#1 POZNÁMKA:** Schopnost vyzvednout prach z koberce, schopnost vyzvednout prach z tvrdé podlahy a energetická účinnost v souladu s Nařízením Komise (EU) 665/2013 a (EU) 666/2013. Všechny nástavce lze nasadit na držadlo hadice nebo na konce trubíc.

**Nástroj 2 v 1** spojuje v sobě několik funkcí:

**Štěrbínový nástavec** – Na rohy a obtížně přístupná místa.

**Prachový kartáč** – Pro šetrné čištění knihoven, rámu, klávesnic apod.

**Mini turbo hubice na zvířecí srst\*** - Miniturbohubici používejte pro úklid schodišť nebo pro hloubkové čištění textilních povrchů a jiných obtížně přístupných ploch. Vhodné zejména pro odstraňování chlupů zvířat.

**Miniturbohubice na čištění alergenů\*** – Miniturbohubici používejte pro úklid schodišť nebo pro hloubkové čištění textilních povrchů a jiných obtížně přístupných ploch. Vhodné zejména pro odstraňování alergenů.

**Hubice na údržbu parket\*** – Pro šetrné čištění parket a jiných citlivých podlahových krytin.

**DŮLEŽITÉ UPOZORNĚNÍ:** Nepoužívejte miniturbohubici na čištění koberců s dlouhými třásněmi, pelíšků domácích zvířat a koberců s vlasem delším než 15 mm. **Pokud se kartáče otáčejí, hubice nesmí zůstat na jednom místě.**

## ÚDRŽBA VYSAVAČE

### Vyprázdnění zásobníku na prach

Jestliže ukazatel na zásobníku ukazuje, že množství prachu dosáhlo maximálního množství, je třeba zásobník vyprázdnit.

**DŮLEŽITÉ UPOZORNĚNÍ:** Pokud chcete dosáhnout optimální funkce vysavače, množství prachu nesmí přesáhnout úroveň označenou značkou Max.

- Hlavním spínačem vypněte čistič a odpojte napájecí kabel ze zásuvky.
- Stiskněte tlačítko uvolnění koše a koš sundejte. [8]
- Jednou rukou podržte zásobník na prach a sundejte víko otočením proti směru hodinových ručiček. [9]

4. Sundejte vstupní filtr z koše. [10]
5. Sundejte z nádoby na prach vysávací hadici. [11]
6. Z nádoby na prach odstraňte prach. [12]
7. Vysávací trubici a vstupní filtr nasadte zpátky na nádobu.
8. Nasadte víko nádoby na prach zpátky na koš.
9. Zavřete a nasadte zpátky na hlavní tělo čističe.

### Čištění omyvatelného filtru

Vysavač je vybaven filtrem před motorem a výstupním filtrem. Zajištění optimálního výkonu vyžaduje pravidelné čištění filtru, který je třeba oklepat o okraj popelnice. Filtry je třeba umývat při každém pátém vyprázdnění kazet nebo při nadměrném zanesení filtru prachem.

**DŮLEŽITÉ UPOZORNĚNÍ: Všechny bezsáčkové vysavače vyžadují pravidelné čištění filtrů. Pokud filtry nebudete řádně čistit, může se zablokovat průchod vzduchu, což může vést k přehřátí a následné poruše vysavače. Tak můžete ztratit právo na záruku.**

**DŮLEŽITÉ UPOZORNĚNÍ:** Filtry je třeba pravidelně kontrolovat a čistit.

**DŮLEŽITÉ UPOZORNĚNÍ:** Před instalací do vysavače musí být filtry dokonale suché.

#### Přístup k filtru:

1. Sundejte nádobu na prach z čističe. [8]
2. Jednou rukou podržte zásobník na prach a sundejte víko otočením proti směru hodinových ručiček. [9]
3. Sundejte vstupní filtr z koše. [10]
4. Jemně poklepejte a umyjte vstupní filtr motoru. Nepoužívejte horkou vodu ani saponáty. Odstraňte přebytečnou vodu z filtru a před použitím filtr nechejte dokonale vyschnout. [13] [17]
5. Když je vstupní filtr úplně suchý, znovu jej sestavte a vložte do vysavače.

#### Přístup k výstupnímu filtru:

1. Odjistěte víko výstupního filtru na zadní straně vysavače. [14]
2. Odpojte výstupní filtr ze zadní strany vysavače. [15]
3. Filtr opatrně vyklepejte a umyjte v teplé vodě. Nepoužívejte horkou vodu ani saponáty. Odstraňte přebytečnou vodu z filtru a před použitím filtr nechejte dokonale vyschnout. [16] [17]
4. Když je výstupní filtr úplně suchý, znovu jej vložte do zadní strany vysavače a nasadte zpět kryt výstupního filtru.

**DŮLEŽITÉ UPOZORNĚNÍ:** Nepoužívejte vysavač bez namontovaného filtru.

### Čištění nádoby na prach / oddělovací jednotky

Tento čisticí systém používá separační systém, který je jedinečný pro firmu Hoover. V případě potřeby lze vyjmout odstředivou jednotku z kazety, abyste ji mohli vyčistit.

1. Stiskněte tlačítko uvolnění koše a sundejte koš z vysavače. [8]
2. Jednou rukou podržte nádobu na prach a druhou rukou sundejte víko otočením proti směru hodinových ručiček. [9]
3. Sundejte víko nádoby na prach otočením proti směru hodinových ručiček. A vyndejte vstupní filtr z nádoby na prach. [10] Poté vytáhněte vysávací trubici z nádoby na prach. [11]
4. V případě potřeby použijte hadřík pro odstranění přebytečného prachu na povrchu vysávací trubice. Znovu nasadte vnitřní součásti koše.
5. Nasadte víko nádoby na prach zpět na koš. Instalujte zásobník na prach do vysavače.

\*Pouze u některých modelů

\*\* Pouze některé modely, hubice se může lišit dle modelu

### Odstranění překážky

1. Zkontrolujte, zda není zásobník na prach plný. Pokud ano, viz část „Vyprázdnění nádoby na prach“.
2. Zásobník na prach je prázdný, avšak podtlak je stále nedostatečný:
  - A. Je třeba vyčistit filtry? Pokud ano, viz část „Čištění omyvatelného filtru“.
  - B. Zkontrolujte, zda není v systému jiná překážka - Ucpané hadice nebo trubice protahujte tyčkou nebo drátem.
  - C. zkontrolujte ucpání trysky a případně ji vyčistěte.
  - D. Zkontrolujte, zda není nutné vyčistit odstředivý filtr. Viz část „Čištění odstředivé jednotky“.

**VAROVÁNÍ** - Pokud bude vysavač zablokovan delší dobu, ochranný teplotní vypínač ho vyřadí z provozu, aby se zamezilo jeho přehřátí. Pokud k tomu dojde, vypněte vysavač, odpojte ho od sítě a odstraňte závadu. Automatický reset přerušného obvodu trvá asi 45 minut.

## KONTROLNÍ SEZNAM UŽIVATELE

Pokud máte jakýkoli problém s výrobkem, proveďte kontrolu podle tohoto seznamu, než se obrátíte na servisní středisko Hoover.

- Funguje správně elektrická zásuvka, k níž je připojen vysavač? Zkontrolujte ji pomocí jiného spotřebiče.
- Není zásobník na prach přeplněný? Viz „Údržba vysavače“.
- Není ucpaný filtr? Viz „Údržba vysavače“.
- Není ucpaná hadice nebo hubice? Viz „Odstranění překážky ze systému“.
- Není vysavač přehřátý? Pokud ano, vyčkejte cca 30 minut, než se vysavač vrátí do funkčního stavu.

## DŮLEŽITÉ INFORMACE

### Náhradní díly a spotřební materiály Hoover

Vždy používejte originální náhradní díly společnosti Hoover. Získáte je u místního prodejce výrobků Hoover nebo u servisních partnerů. V objednávce dílů laskavě vždy uvádějte číslo modelu.

### Kvalita

Kvalita výroby ve výrobních závodech společnosti Hoover byla posouzena nezávislou organizací. Naše výrobky jsou vyráběny podle systému jakosti, který splňuje požadavky ISO 9001.

### Záruka

Záruční podmínky pro tento spotřebič stanoví náš zástupce v zemi, v níž je spotřebič prodáván. Přesné znění podmínek vám poskytne prodejce, u něhož jste si spotřebič zakoupili. Při reklamaci podle těchto záručních podmínek je nutno předložit účtenku nebo doklad o nákupu.

Právo změny bez předchozího upozornění vyhrazeno.

## NAVODILA ZA VARNO UPORABO

Sesalnik lahko uporabljate le za čiščenje stanovanjskih prostorov, kot je opisano v tem priročniku. Prosimo, da se pred uporabo sesalnika temeljito seznanite s temi navodili.

Sesalnika ne puščajte priključenega na električno omrežje. Po vsaki uporabi ali pred kakršnimi koli vzdrževalnimi deli in čiščenjem naprave sesalnik vedno izklopite in izvlecite vtikač iz električne vtičnice.

Ta aparat lahko uporabljajo otroci, starejši od 8 let, ter osebe z zmanjšanimi telesnimi, zaznavnimi in mentalnimi sposobnostmi ali osebe s pomanjkljivimi izkušnjami in znanjem, če so pod nadzorom ali so bile ustrezno podučene o varni uporabi aparata ter se zavedajo nevarnosti, ki so povezane z njegovo uporabo. Otroci se ne smejo igrati z aparatom. Otroci ne smejo čistiti ali vzdrževati aparata brez nadzora.

Če je napajalni kabel poškodovan, nemudoma prenehajte z uporabo sesalnika. Da bi se izognili nevarnosti, mora napajalni kabel zamenjati pooblaščen Hooverjev serviser.

Imejte roke, noge, ohlapna oblačila in lasje proč od vrtljivih krtač.

Uporabljajte le priključke, potrošni material ali nadomestne dele, ki jih priporoča ali dobavi podjetje Hoover.

**Statična elektrika:** Določene vrste preprog lahko ustvarijo manjšo količino statične elektrike. Kakršen koli statični električni naboj ne ogroža zdravja.

Sesalnika ne smete uporabljati na prostem, na kakršni koli mokri površini ali za sesanje tekočin.

Ne smete sesati trdih ali ostrih predmetov, vžigalic, vročega pepela, cigaretnih ogorkov ali drugih podobnih snovi.

Ne smete pršiti ali sesati vnetljivih tekočin, čistil, osvežilcev zraka ali njihovih hlapov

Ne smete zapeljati prek napajalnega kabla med uporabo sesalnika ali izvleči vtikača tako, da bi vlekli za kabel.

Ne smete nadaljevati z uporabo sesalnika, če opazite nepravilnosti v delovanju.

**Servis HOOVER:** Za zagotovitev nenehnega varnega in učinkovitega delovanja naprave priporočamo, da servisiranje ali popravila izvaja le pooblaščen Hooverjev serviser.

Med uporabo sesalnika ne smete stati na kablu ali si ga ovijati okoli rok ali nog.

Ne smete uporabljati sesalnika za čiščenje živali ali ljudi.

Sesalnika ne smete postavljati nad seboj, ko sesate stopnice.

### Okolje

Simbol na izdelku pomeni, da izdelka ne smete odstraniti kot gospodinjski odpadek. Oddati ga morate na zbirnem mestu za recikliranje električne in elektronske opreme. Odstranitev morate izvesti v skladu s krajevnimi okoljskimi predpisi glede odstranjevanja odpadkov. Za podrobnejše informacije o ravnanju z izdelkom, obnovi in recikliranju izdelka se obrnite na krajevni urad, komunalno podjetje za odvoz gospodinjskih odpadkov ali trgovino, kjer ste izdelek kupili.



Ta naprava je v skladu z evropskimi direktivami 2014/35/EU, 2014/30/EU in 2011/65/EU.

HOOVER Limited, Pentrebach, Merthyr Tydfil, Mid Glamorgan, CF48 4TU, UK



## SEZNANJANJE S SESALNIKOM

- |  |   |
|--|---|
| A. Krmilnik moči sesanja                     | L. Pokrov posode za prah                                |
| B. Ročaj cevi                                | M. Posoda za prah                                       |
| C. Teleskopska cev                           | N. Vrtljiva cev   |
| D. Stopalka za vklop/izklop                  | O. Filter pred motorjem                                 |
| E. Pokrov izpušnega filtra                   | P. Gumb za odpenjanje posode za prah                    |
| F. Krtača za preproge in tla ( <b>GP</b> )** | Q. Izhodni filter                                       |
| F1. Krtača za preprogo ( <b>CA</b> )**       | R. Nastavek 2 v 1                                       |
| F2. Krtača za trda tla ( <b>HF</b> )**       | S. Mini turbo nastavek za čiščenje dlak domačih živali* |
| G. Gumb za izbiro vrste tal                  | T. Mini turbo nastavek za alergene delce*               |
| H. Pritrdilna reža                           | U. Velika Turbo krtača*                                 |
| I. Stopalka za navijanje kabla               | V. Krtača za čiščenje parketa*                          |
| J. Glavno ohišje sesalnika                   |   |
| K. Cev                                       |   |

## SESTAVLJANJE SESALNIKA

Iz embalaže odstranite vse sestavne dele.

1. Gumijasto cev priključite na sesalnik in poskrbite, da se zaskoči na svoje mesto. [1]
2. Za sprostitvev: samo pritisnite gumb na upogljivi cevi in povlecite.
3. Ročaj cevi pritrdite na zgornjo skrajno točko podaljšane cevi [2] ali po potrebi na pripomoček.
4. Spodnjo skrajno točko podaljšane cevi pritrdite na krtačo za preproge in talne površine [3] ali po potrebi na pripomoček.

## UPORABA SESALNIKA

1. Izvlecite napajalni kabel in ga potisnite vtikač v električno vtičnico. Kabla ne vlecite naprej od rdeče oznake. [4]
2. Teleskopsko cev prilagodite na zeleno višino, tako, da držite ročaj sesalnika najbolj udobno in to tako, da premikate prilagojevalnik gor ali dol. [5]
3. Nastavek za sesanje preprog in tal\*\*. Za izbiro idealnega načina glede na določeno vrsto tal pritisnite gumb za izbiro vrste tal na nastavku [6].
  - Trde talne površine** – krtače so spuščene, da ščitijo tla.
  - Preproga** – krtače so dvignjene zaradi globljega sesanja.
4. Sesalnik prižgite s pritiskom na pedal on/off, ki se nahaja na glavnem ogrodju sesalnika. [7]
5. Regulator sesanja, ki se nahaja na ročaju, namestite na zeleno raven.
6. Po opravljenem delu izklopite s pritiskom na stopalko za vklop/izklop. Izključite iz vtičnice in pritisnite na stopalko za navijanje kabla, da se napajalni kabel navije nazaj v sesalnik.

## POSTAVITEV IN SHRANJEVANJE

Cev in krtačo lahko namestite na zadnji del sesalnika in ju tako shranite za dlje časa ali samo začasno med sesanjem.

\*Le pri določenih modelih

\*\* Samo določeni modeli, nastavki se lahko spreminjajo glede na model.

## DODATNI PRIKLJUČKI

Da bi dobili najboljše delovanje in energetska učinkovitost<sup>#1</sup>, je priporočljivo uporabljati pravilne nastavke za glavne čistilne funkcije. Nastavki so označeni v diagramih s črkami **GP**, **HF** ali **CA**.

**GP** tip nastavka lahko uporabljate za čiščenje preprog in trdih tal.

**HF** tip nastavka je primeren le za trda tla.

**CA** tip nastavka je primeren le za preproge.

Drugi nastavki so pripomočki namenjeni za posebno čiščenje in priporočamo le občasno uporabo.

Pomembno je vedeti, da je ta sesalnik opremljen z energijsko nalepko, kot je zahtevano po Evropski Uredbi (EU) 665/2013.

Če oznaka prikazuje rdeč prepovedni krog na levi čez simbol za preprogo, pomeni, da sesalnik ni primeren za uporabo na preprogah.

Če oznaka prikazuje rdeč prepovedni krog na levi čez simbol za trda tla, pomeni, da sesalnik ni primeren za uporabo na trdih tleh.

**#1 OPOMBA:** Sposobnost pobiranja prahu s preprog, sposobnost pobiranja prahu s trdih tal in energetska učinkovitost so v skladu z Uredbami Komisije (EU) 665/2013 in (EU) 666/2013.

Vse dodatne priključke je mogoče namestiti na konec gibljive cevi ali na konec cevi.

**2 v 1 orodje** združuje različne funkcije v enem orodju:

**Nastavek za čiščenje rež,** – za čiščenje kotov in težko dostopnih predelov.

**Krtača za prah** – za knjižne police, okvirje slik, tipkovnice in druge občutljive površine.

**Mini turbo nastavek za čiščenje dlak domačih živali\*** - Mini Turbo nastavek uporabljajte za čiščenje stopnic ali globinsko čiščenje tekstilnih površin in površin, ki jih je težko čistiti. Delno primerno za odstranjevanje dlak domačih živali.

**Mini turbo nastavek za alergene delce\*** – Mini Turbo nastavek uporabljajte za čiščenje stopnic ali globinsko čiščenje tekstilnih površin in površin, ki jih je težko čistiti. Delno primerno za odstranjevanje alergenih delcev.

**Krtača za čiščenje parketa\*** – Za parketna tla in druga občutljiva tla.

**POMEMBNO:** Turbo in Mini Turbo nastavka ne uporabljajte na preprogah z dolgimi resicami, na živalski koži in preprogah, ki so globlje od 15 mm. **Nastavek ne sme mirovati, ko se krtača vrti.**

## VZDRŽEVANJE SESALNIKA

### Praznjenje posode za prah

Ko prah in umazanija dosežeta oznako najvišje ravni v posodi, le-to izpraznite.

**POMEMBNO:** Za popolno delovanje naj prah in nečistoča ne segata višje od oznake najvišje ravni.

1. Sesalnik ugasnite z glavnim stikalom in nato izklopite napajalni kabel.
2. Pritisnite gumb za sproščanje posode in posodo odstranite s sesalnika. [8]
3. Z eno roko držite posodo za prah, pokrov posode pa odstranite tako, da ga zavrtite v nasprotni smeri urinega kazalca. [9]

4. Predmotorni filter odstranite s posode. [10]
5. Vrtljivo cev odstranite s posode. [11]
6. Izpraznite posodo za prah. [12]
7. Vrtljivo cev in predmotorni filter spet namestite na posodo.
8. Spet namestite pokrov posode za prah.
9. Zaprite in spet namestite na glavno ogrodje sesalnika.

### Čiščenje pralnih filtrov

Na sesalniku sta nameščena predmotorni filter in izpušni filter. Za ohranitev popolne učinkovitosti čiščenja redno čistite filtre; potolcite s filtrom ob rob posode, da očistite prah. Filtre je treba očistiti po vsakem petem praznjenju posode ali ko se na njih nabere prevelika količina prahu.

**POMEMBNO: Vsi sesalci brez vrečke zahtevajo redno čiščenje. Če filtrov ne čistite, lahko to prepreči pretok zraka, pregrevanje in okvaro izdelka. To lahko izniči garancijo.**

**POMEMBNO:** Filtre preverjajte in vzdržujte redno.

**POMEMBNO:** Pred uporabo vedno preverite, ali je element filtra povsem suh.

### Za dostop do filtra:

1. Posodo za prah odstranite s sesalnika. [8]
2. Z eno roko držite posodo za prah, pokrov posode pa odstranite tako, da ga zavrtite v nasprotni smeri urinega kazalca. [9]
3. Predmotorni filter odstranite s posode. [10]
4. Nežno otresite in operite predmotorni filter. Ne uporabljajte vroče vode ali čistil. Pred ponovno uporabo odstranite odvečno vodo iz filtra in ga pustite, da se popolnoma osuši. [13] [17]
5. Ko se predmotorni filter povsem posuši, ga spet sestavite in namestite na sesalnik.

### Dostopanje do izhodnega filtra:

1. Pokrov izpušnega filtra odprite na zadnjem delu sesalnikovega ogrodja. [14]
2. Odstranite izpušni filter z zadnjega dela sesalnikovega ogrodja. [15]
3. Nežno stresite in s toplo vodo izperite filter. Ne uporabljajte vroče vode ali čistil. Pred ponovno uporabo odstranite odvečno vodo iz filtra in ga pustite, da se popolnoma osuši. [16] [17]
4. Ko se izpušni filter povsem posuši, ga spet namesite na zadnji del sesalnika, zatem pa namestite še pokrov zpušnega filtra.

**POMEMBNO:** Izdelka ne uporabljajte brez nameščenega elementa filtra.

### Čiščenje posode za prah / enote za ločevanje

Ta sesalnik je opremljen z ločevalnim sistemom, ki ga uporablja samo Hoover. Če je treba, enoto za ločevanje lahko odstranite iz posode za prah in jo očistite.

1. Pritisnite gumb za sproščanje posode za prah in posodo odstranite s sesalnika. [8]
2. Z eno roko držite posodo za prah, z drugo pa odstranite pokrov posode. To storite tako, da ga zavrtite v nasprotni smeri urinega kazalca. [9]
3. Pokrov posode za prah odstranite tako, da ga zavrtite v nasprotni smeri urinega kazalca. Predmotorni filter odstranite s posode za prah. [10] Povlecite vrtljivo cev in jo tako odstranite s posode za prah. [11]
4. Če je na površini cevi prisoten prah, ga po potrebi odstranite s krpo. Notranje elemente spet namestite na posodo.
5. Na posodo za prah spet namestite pokrov. Pritrdite posodo za prah nazaj na sesalnik.

\*Le pri določenih modelih

\*\* Samo določeni modeli, nastavki se lahko spreminjajo glede na model.

### Odpravljanje zamašitve

1. Preverite, ali je posoda za prah polna. Če je, si oglejte 'Praznjenje posode za prah'.
2. Če je posoda za prah prazna, a je sesalna moč še vedno šibka:
  - A. Je treba očistiti filtre? V tem primer upoštevajte navodila v poglavju 'Čiščenje pralnih filtrov'.
  - B. Preverite, ali je sistem zamašen še na kakšnem drugem mestu. - Z drogom ali palico odstranite oviro iz cevi ali gibljive cevi.
  - C. Preverite in očistite vse ovire v cevnem nastavku
  - D. Preverite, če je treba očistiti enoto za ločevanje. Za podrobnosti si oglejte 'Čiščenje enote za ločevanje'.

**OPOZORILO** - Če sesalnik uporabljate dlje časa, ko je zablokiran, toplotno izklopno stikalo izklopi sesalnik in tako prepreči pregrevanje. Če pride do tega, sesalnik izklopite, izključite iz napajanja in odpravite težavo. Do samodejne ponastavitve izklopa pride po približno 45 minutah.

## KONTROLNI SEZNAM ZA UPORABNIKA

Če imate težave z izdelkom, preglejte ta preprost kontrolni seznam za uporabnika, preden pokličete pooblaščen Hooverjev servis.

- Je sesalnik vključen v delujoče električno omrežje? Prosimo vas, da preverite z drugo električno napravo.
- Je posoda za prah preveč napolnjena? Oglejte si 'Vzdrževanje sesalnika'.
- Je zamašen filter? Oglejte si 'Vzdrževanje sesalnika'.
- Je blokirana cev ali priključek? Oglejte si 'Odpravljanje zamašitve'.
- Se je sesalnik pregrel? Če je tako, se bo sesalnik samodejno ponastavil po 30 minutah.

## POMEMBNE INFORMACIJE

### Nadomestni deli in potrošni material Hoover

Vedno uporabljajte originalne nadomestne dele Hoover. Dobite jih pri krajevnem prodajalcu Hooverjevih izdelkov. Pri naročanju delov vedno navedite številko modela.

### Kakovost

Hooverjeve tovarne so bile predmet neodvisnega ocenjevanja kakovosti. Naši izdelki so izdelani na osnovi sistema kakovosti, ki izpolnjuje zahteve standarda ISO 9001.

### Vaša garancija

Garancijski pogoji za to napravo so taki, kot jih določi zastopnik v državi, kjer je naprava prodana. Podrobnosti glede garancijskih pogojev lahko dobite od prodajalca, pri katerem ste napravo kupili. Če želite uveljavljati kakršno koli garancijo, potrebujete potrldilo o nakupu ali račun.

Garancija se lahko spreminja brez predhodnega obvestila.

## GÜVENLİ KULLANIM TALİMATLARI

Bu süpürge kullanım kılavuzunda belirtildiği gibi yalnızca evsel temizlik için kullanılmalıdır. Lütfen ürünü kullanmadan önce bu kılavuzun tam olarak anlaşıldığından emin olun.

Süpürgenin fişini prize takılı bırakmayın. Cihazı kullanmadan veya temizlemeden önce ya da herhangi bir bakım işleminden önce daima kapalı konuma getirin ve fişi prizden çekin.

Bu cihaz 8 yaş ve üzeri çocuklar ve yetersiz fiziksel, duyuşal veya zihinsel kabiliyete sahip kişiler ya da deneyim ve bilgi yoksunu kişiler tarafından bir yetişkinin gözetimi veya cihazın güvenli bir şekilde kullanımı ile ilgili talimatı ve bulunan tehlikelerin açıkça anlatılması ile kullanılabilir. Çocuklar cihaz ile oynamamalıdır. Temizleme ve bakım işlemi denetimsiz şekilde çocuklar tarafından yapılmamalıdır.

Güç kablosu hasar görürse cihazı kullanmayı derhal bırakın. Güvenliğin riske atılmaması için, elektrik kablosu mutlaka yetkili HOOVER servis teknisyeni tarafından değiştirilmelidir.

Ellerinizi, ayaklarınızı, bol giysileri ve saçlarınızı dönen fırçalardan uzak tutun.

Yalnızca HOOVER tarafından önerilen veya sağlanan ek birimleri, sarf malzemelerini ya da yedek parçaları kullanın.

**Statik elektrik:** Bazı halılar statik elektrik oluşuma neden olabilir. Statik elektrik deşarjı sağlığa zararlı değildir.

Cihazınızı dış mekanlarda veya ıslak yüzeylerde ya da ıslak toplama için kullanmayın.

Sert veya keskin nesnelere, kibritleri, sıcak külleri, sigara izmaritleri veya diğer benzeri öğeleri toplamayın.

Yanıcı sıvıları, temizleme sıvılarını, aerosolleri veya spreyleri püskürtmeyin ya da toplamayın.

Cihazı kullanırken güç kablosu üzerine basmayın veya güç kablosundan çekerek prizden çıkarmayın.

Arızalı görünüyorsa cihazınızı kullanmaya devam etmeyin.

**HOOVER servisi:** Cihazın her zaman güvenli ve verimli bir şekilde kullanılabilmesi için, her türlü bakım veya onarım işinin sadece yetkili HOOVER servis teknisyenleri tarafından yapılmasını öneririz.

Cihazınızı kullanırken kablonun üzerinde durmayın veya kabloyu kolunuza ya da bacaklarınıza sarmayın.

Cihazı hayvanları veya insanları temizlemek için kullanmayın.

Merdivenleri temizlerken cihazı sizden daha yükseğe yerleştirmeyin.

### Çevre

Bu aygıttaki sembol aygıtın ev atığı gibi işlem yapılamayacağını belirtir. Bunun yerine uygun elektrikli ve elektronik ekipman geri dönüşüm toplama noktasına teslim edilmelidir. İmha, atık imhası için düzenlenen yerel çevre yönetmeliklerine uygun olarak yapılmalıdır. Bu aygıtın ait işlem, kurtarma ve geri dönüşümle ilgili daha ayrıntılı bilgi için, lütfen yerel şehir ofisiniz, ev atığı ve çöp atma servisiniz ya da aygıtı satın aldığınız mağaza ile irtibata geçin.



**CE** Bu cihaz, 2014/35/EU, 2014/30/EU ve 2011/65/EU sayılı Avrupa Direktifleri ile uyumludur.

HOOVER Limited, Pentrebach, Merthyr Tydfil, Mid Glamorgan, CF48 4TU, UK

## SÜPÜRGENİZİN YAKINDAN TANIYIN

- |                                   |  |
|-----------------------------------|--|
| A. Emiş Kontrolü                  | K. Hortum  |
| B. Hortum Sapı                    | L. Toz Tutucu kapağı                             |
| C. Teleskobik Boru                | M. Toz Haznesi                                   |
| D. Açma/Kapama Pedalı             | N. Girdap Bulucusu                               |
| E. Çıkış Filtresi Kapağı          | O. Ön motor filtresi                             |
| F. Halı & Yer Başlığı (GP)**      | P. Toz Haznesi Açma Düğmesi                      |
| F1. Halı Başlığı (CA)**           | Q. Çıkış Filtresi                                |
| F2. Sert Taban Başlığı (HF)**     | R. 2'si 1 arada Aksesuar                         |
| G. Yüzey seçme pedalı             | S. Evcil Hayvan Tüyü Giderici Mini Turbo Başlık* |
| H. Park Yuvası                    | T. Alerjen Giderici Mini Turbo Başlık*           |
| I. Kablo Makarası Pedalı          | U. Büyük Turbo Başlık*                           |
| J. Elektrikli Süpürge Ana Gövdesi | V. Parke Başlığı*                                |

## SÜPÜRGENİZİN KURULMASI

Tüm parçaları ambalajından çıkartın.

- Hortumu süpürgenin ana gövdesine takın, yerine oturduğundan ve kilitlendiğinden emin olun. [1]
- Çözmek için: Hortum sonunun üzerindeki düğmeye basitçe basın ve çekin.
- Hortum kolunu uzatma borusu üst kısmı [2] ucuna ya da gerekirse aksesuarlara bağlayın.
- Uzatma borusu alt kısmını halı veya zemin başlığına [3] ya da gerekirse aksesuarlara bağlayın.

## SÜPÜRGENİZİN KULLANIMI

- Güç kablosunu uzatın ve güç kaynağına (prize) takın. Kabloyu kırmızı işaretli bölgeden öteye çekmeyin. [4]
- Konforlu temizlik için teleskopik boruyu, teleskopik boru ayarlayıcıyı yukarı doğru hareket ettirerek veya tutacağı aşağı kaydırarak istenilen yüksekliğe ayarlayın. [5]
- Halı & Yer başlığı\*\*. Zemin türü için ideal temizleme modunu seçmek için başlıktaki zemin türü seçiciye [6] basın.  
**Sert Zemin** – Fırçalar zemini korumak için geri çekilir.  
**Halı** – Fırçalar derinlemesi temizlik için öne gelir.
- Temizleyici ana gövdesindeki açma/kapatma pedalına basarak temizleyiciyi açın. [7]
- Kol üzerindeki emiş regülatörünü istenilen seviyeye ayarlayın.
- Kullandıktan sonra açma/kapatma pedalına basarak kapatın. Fişi prizden çıkarın ve güç kablosunu temizleyiciye geri sarmak için kablo makarası pedalına basın.

## PARK ETME VE DEPOLAMA KISMI

Boru ve başlık, depolama veya kullanım sırasında geçici depolama için temizleyicinin arkasına park edilebilir.

\*Sadece bazı modeller için

\*\*Yalnızca belirli modeller, başlıklar modele göre değişiklik gösterebilir

## AKSESUARLAR

En iyi performans ve enerji verimliliği için<sup>#1</sup> ana temizleme işlemlerinde doğru başlıkların kullanılması önerilir. Bu başlıklar, şemalarda **GP**, **HF** veya **CA** harfleri ile gösterilmiştir. **GP** tip başlıklar halı ve sert zemin temizliğinde kullanılabilir.

**HF** tip başlıklar yalnızca sert zemin üzerinde kullanıma uygundur.

**CA** tip başlıklar sadece halı üzerinde kullanım için uygundur

Diğer başlıklar uzman temizlik işlemleri içindir ve bu başlıkların yalnızca arada sırada kullanılması önerilir.

Bu vakumlu temizleyicide Avrupa Yönetmeliği (AB) 665/2013'ün gerekli koştuğu Enerji Etiketleri bulunmaktadır.

Etiket sol tarafında halı sembolünü kapsayan kırmızı çember varsa, bu işaret vakumlu temizleyicinin halı üzerinde kullanımına uygun olmadığını gösterir.

Etiket sağ tarafında sert zeminler sembolünü kapsayan kırmızı çember varsa, bu işaret vakumlu temizleyicinin sert zeminler üzerinde kullanımına uygun olmadığını gösterir.

**#1 NOT:** Halıda toz çekebilme, sert zeminde toz çekebilme ve Komisyon Düzenlemeleri (AB) 655/2013 ve (AB) 666/2013 ile uyumlu enerji verimliliği.

Tüm aksesuarlar hortum koluna veya tüplerin ucuna takılabilir.

2'si 1 Arada bir çok özelliği bir arada toplamaktadır:

**Kenar Köşe Aparatı** – Köşeler ve ulaşılması zor alanlar içindir.

**Toz Alma Fırçası** – Kitaplık rafları, çerçeveler, klavyeler ve diğer hassas alanlar içindir.

**Evcil Hayvan Tüyü Giderici Mini Turbo Başlık\*** - Merdivenler veya tekstil yüzeylerinde derinlemesine temizlik sağlar; temizlenmesi zor alanlar için mini turbo başlığı kullanılabilir. Özellikle hayvan tüylerinin giderilmesi için uygundur.

**Alerjen Giderici Mini Turbo Başlık\*** - Merdivenler veya tekstil yüzeylerinde derinlemesine temizlik sağlar; temizlenmesi zor alanlar için mini turbo başlığı kullanılabilir. Özellikle alerjenlerin temizlenmesi için uygundur.

**Parke Başlığı\*** – Parke ve diğer hassas zeminler içindir.

**ÖNEMLİ:** Mini Turbo Başlığı uzun saçaklı halılarda, hayvan postlarında, 15 mm'den daha uzun havlı halılarda kullanmayınız. **Fırça dönerken başlığı sabit tutmayın.**

## SÜPÜRGENİZİN BAKIMI

### Toz Haznesinin Boşaltılması

Toz, kaptaki maksimum seviye göstergesine ulaştığında, toz haznesinin boşaltılması gerekir.

**ÖNEMLİ:** Yüksek performans için toz seviyesi asgari düzeyin üzerine çıkmamalıdır.

- Süpürgeyi güç kaynağından kapatın ve güç kablosunu prizden çekin.
- Hazne serbest bırakma düğmesine basın ve hazne tertibatını süpürgeye çıkarın. [8]
- Hazneyi tek elinizle tutun ve toz tutucu kapağını saat yönünün tersi yönde çevirerek çıkarın. [9]
- Ön motor filtresini hazne tertibatından çıkarın. [10]

5. Girdap bulucuyu hazne tertibatından çıkarın. [11]
6. Tozu haznedenden boşaltın. [12]
7. Girdap bulucuyu ve ön motor filtresi tertibatını hazne tertibatına geri takın.
8. Toz tutucu kapağını hazne tertibatına geri takın.
9. Kapatın ve süpürgeyi ana gövdesine geri takın.

### Yıkabilir filtrelerin temizlenmesi

Süpürge, ön motor filtresi ve çıkış filtresi ile donatılmıştır. Optimum temizleme performansını sürdürülebilmesi için, düzenli olarak filtreleri çıkarın ve haznenin yanlarına vurarak tozu boşaltın. Filtreler her 5 kaset boşaltımında veya filtre aşırı toz seviyesine ulaştığında yıkanmalıdır.

**ÖNEMLİ: Tüm torbasız süpürgeler, düzenli olarak filtre temizlemesine ihtiyaç duyarlar. Hava tıkanıklığı, fazla ısınma ve ürün arızası, filtrelerinizi yıkamayı aksatmanızın sonucu olabilir. Bu garantinizi geçersiz kılabilir.**

**ÖNEMLİ:** Filtrelerinizi düzenli olarak denetleyin ve bakımını yapın.

**ÖNEMLİ:** Kullanmadan önce her zaman filtre paketinin tamamen kuru olduğundan emin olun.

### Filtreye erişmek için:

1. Toz tutucuyu süpürgeyi çıkarın. [8]
2. Hazneyi tek elinizle tutun ve toz tutucu kapağını saat yönünün tersi yönde çevirerek çıkarın. [9]
3. Ön motor filtresini hazne tertibatından çıkarın. [10]
4. Ön motor filtresine hafifçe vurun ve yıkayın. Sıcak su veya deterjan kullanmayın. Filtredeki fazla suyu giderin ve tekrar kullanmadan önce tamamen kurumaya bırakın. [13] [17]
5. Ön motor filtre tertibatını tamamen kuruduktan sonra yeniden monte edin ve süpürgeye yeniden sabitleyin.

### Çıkış filtresine erişmek için:

1. Egzoz filtresinin klipsini süpürge ana gövdesinin arkasından çıkartın. [14]
2. Egzoz filtresini süpürgeyi arkasından çıkarın. [15]
3. Filtreyi nazikçe vurun ve ılık su kullanarak yıkayın. Sıcak su veya deterjan kullanmayın. Filtredeki fazla suyu giderin ve tekrar kullanmadan önce tamamen kurumaya bırakın. [16] [17]
4. Tamamen kuruduktan sonra egzoz filtresini süpürgeyi arkasına yeniden takın ve egzoz filtresi kapağını yerine takın.

**ÖNEMLİ:** Filtre paketini yerleştirmeden ürünü kullanmayın.

### Toz haznesini temizleme / ayırma ünitesini temizleme

Bu süpürge, Hoover'e özel ayrı bir sistem kullanmaktadır. Gerekirse ayırma ünitesi toz haznesinden ayrılabilir ve temizlenebilir.

1. Toz tutucu serbest bırakma düğmesine basın ve hazne tertibatını süpürgeyi çıkarın. [8]
2. Hazneyi tek elinizle tutun ve diğer elinizle toz tutucu kapağını saat yönünün tersi yönde çevirerek çıkarın. [9]
3. Toz tutucu kapağını saat yönünün tersi yönde çevirerek çıkarın. Ve ön motor filtresini toz tutucu tertibatından çıkarın. [10] Ve daha sonra, girdap bulucuyu çekerek toz tutucudan çıkarın. [11]
4. Gerekirse bir bez kullanarak girdap bulucu yüzeyindeki fazla tozu silin. İç bileşenleri hazneye yeniden monte edin.
5. Toz tutucu kapağını toz tutucuya geri takın. Toz haznesini süpürgeye geri takın.

\*Sadece bazı modeller için

\*\* Yalnızca belirli modeller, başlıklar modele göre değişiklik gösterebilir

### Sistemde Oluşan Tıkanıklığın Giderilmesi

1. Toz kabının dolu olup olmadığını kontrol ediniz. Öyle ise, bkz. 'Toz kabını boşaltma'.
2. Eğer Toz Haznesi boş ancak emiş hala düşük ise;
  - A. Filtrelerin temizlenmeye mi ihtiyacı var? Eğer ihtiyaç varsa 'Yıkabilir filtreleri temizleme' bölümüne başvurun.
  - B. Sistemde başka herhangi bir tıkanıklık olup olmadığını kontrol edin. - Borudaki veya esnek hortumdaki bir tıkanıklığı gidermek için bir çubuk veya değnek kullanın.
  - C. Ağızda herhangi bir tıkanıklık olup olmadığını kontrol edin ve varsa bunu temizleyin.
  - D. Ayırma ünitesinin temizlenmesi gerekip gerekmediğini kontrol edin. Bkz. 'Ayırma ünitesini temizleme'

**UYARI** - Süpürge belirli bir süre tıkanık olarak kullanılırsa, termal devre kesici aşırı ısınmayı önlemek için süpürgeyi kapatır. Böyle bir durum olduğunda, süpürgeyi kapatın, fişini çekin ve hatayı düzeltin. Bu kesintiyi otomatik sıfırlama işlemi 45 dakika sürebilir.

### KULLANICI KONTROL LİSTESİ

Ürün ile ilgili bir problem olduğunda, yetkili Hoover servisini aramadan önce bu basit kullanıcı kontrol listesini tamamlayın.

- Süpürgeye elektrik geliyor mu? Lütfen başka bir elektrikli cihaz ile kontrol edin.
- Toz haznesi dolmuş mudur? Lütfen 'Süpürge Bakımı' bölümüne başvurunuz.
- Filtre tıkalı mı? Lütfen 'Süpürge Bakımı' bölümüne başvurunuz.
- Hortum veya başlık tıkalı mı? Lütfen 'Sistemdeki tıkanıklığın giderilmesi' bölümüne başvurunuz.
- Süpürge fazla mı ısındı? Eğer öyleyse, otomatik sıfırlama 30 dakika sürecektir.

### ÖNEMLİ BİLGİLER

#### Hoover Yedek Parçaları ve Sarf Malzemeleri

Parçaları daima orijinal Hoover parçaları ile değiştirin. Bu parçaları Hoover servislerinden tedarik edebilirsiniz. Parça siparişi verirken mutlaka cihazın model numarasını belirtin.

#### Kalite

Hoover fabrikaları kalitesinden ödürü bağımsız takdir almıştır. Ürünlerimiz, ISO 9001 gereksinimlerini içeren bir kalite sistemi kullanılarak üretilmektedir.

#### Garanti

Bu cihaz için garanti koşulları, cihazın satıldığı ülkedeki temsilcimiz tarafından tanımlanmaktadır. Bu koşullara ilişkin ayrıntılar cihazın satın alındığı bayiden edinilebilmektedir. Bu garanti koşulları altında yapılan talepte satış fişi ve makbuzu ibraz edilmiş olmalıdır.

Haber verilmeksizin değişiklikler yapılabilmektedir.