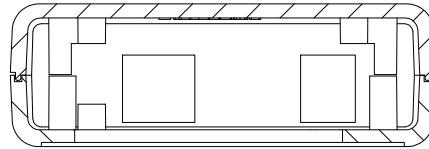
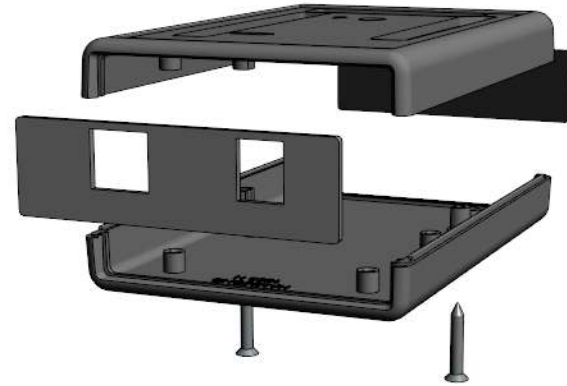
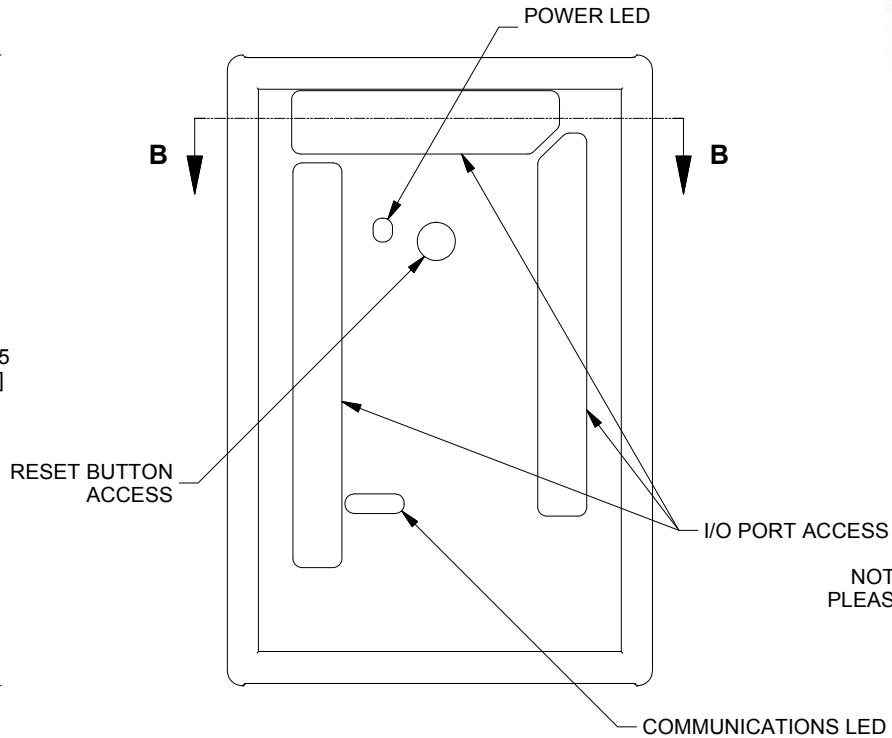
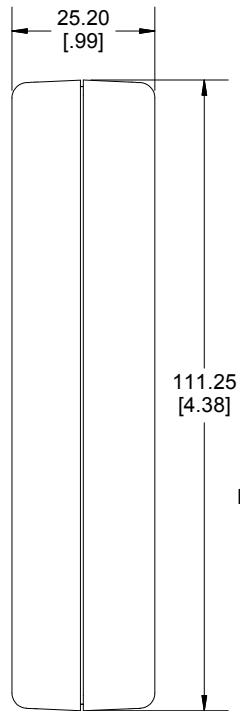


Enclosures can be Factory Modified (Milling, Drilling, Printing etc.)
 Contact Factory mjm@hammondmfg.com for quotes



SECTION B-B

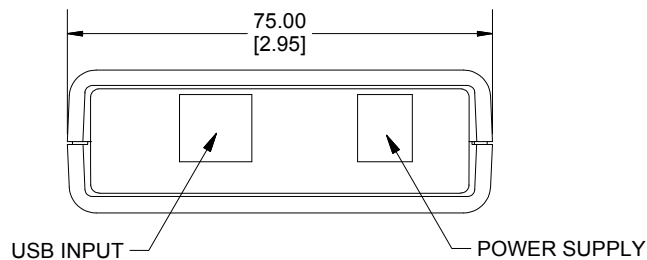


NOTE: 1593MEG ENCLOSURE IS BASED ON HAMMOND STANDARD 1593N
 PLEASE SEE 1593N DRAWING FOR STANDARD ENCLOSURE SPECIFICATIONS

NOTE

Purchased assembly includes top and bottom cover, front and rear end panels, 2 cover screws, and 1 black rubber foot (P.C. Board not included)
 Enclosure molded from ABS Plastic.

ASSEMBLY - VIEW FROM TOP SIDE



PART NUMBERS

| | |
|-----------------------------------|---------------|
| 1593HAMMEG Enclosure | |
| Black Enclosure | 1593HAMMEGBK |
| Grey Enclosure | 1593HAMMEGGY |
| Translucent Blue Enclosure | 1593HAMMEGTBU |

Dimensions:
 mm
 [inches]



**HAMMOND
 MANUFACTURING™**
1593HAMMEG
www.hammondmfg.com