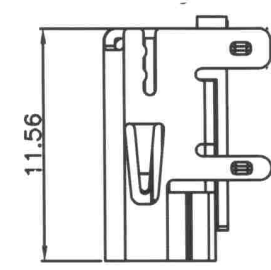
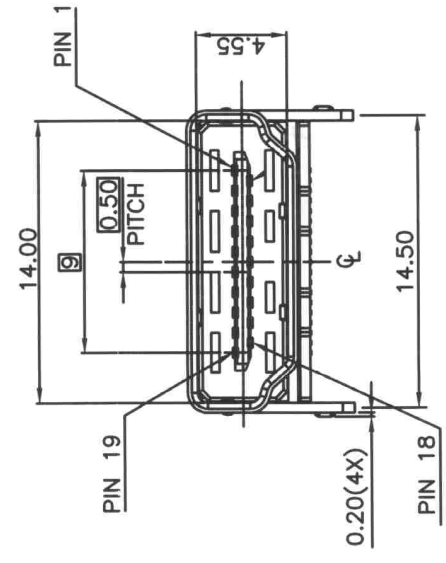
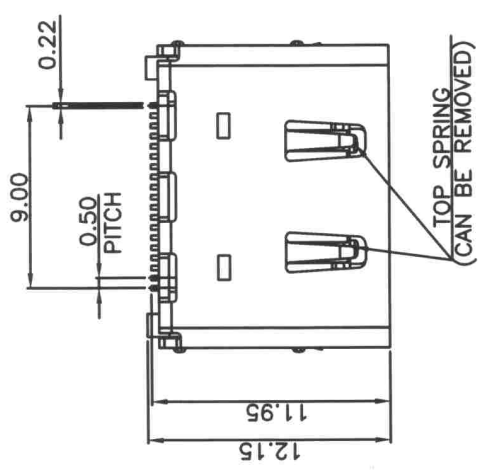


MATERIAL: LCP, UL 94V-0 Rated; Color: Black.
 HOUSING: LCP, UL 94V-0 Rated; Color: Black.
 SHELL: BRASS.
 CONTACT: BRASS.
 2. FINISH:
 CONTACT: GOLD(SEE TABLE) PLATED ON CONTACT AREA,
 TIN PLATED ON SOLDER TAILS.
 SHELL: NICKEL UNDERPLATED.



PRELIMINARY

ANGLE DECIMALS: X=±0.25, XX=±0.1		APP		DATE		DATE		DATE		DATE	
		95/02/28		08		CC-HD550-199		HDMI Connector SMT Type		ENG	
FILE NO.		SCALE		NAME		SIZE		A4		1	
1:1		CC-HD550-199		HDMI Connector SMT Type		ENG		HDMI Connector SMT Type		ENG	

LTR	REVISION	RECORDED	DATE
5	4	4	4