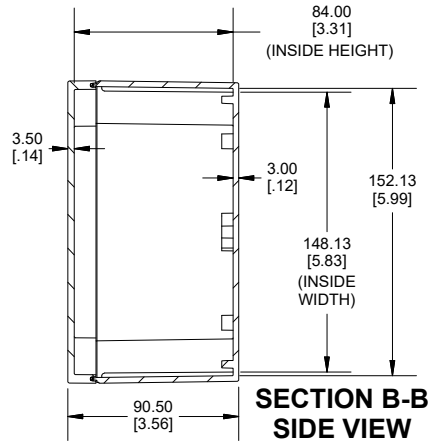
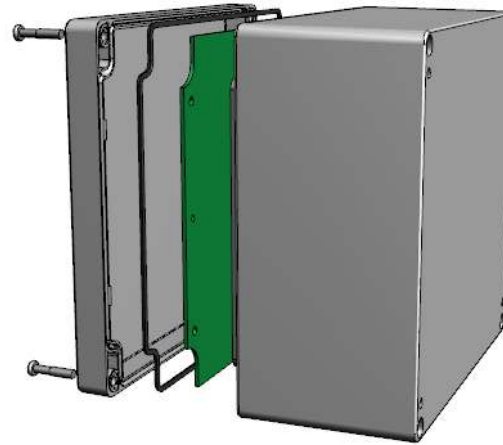


**TOP VIEW**

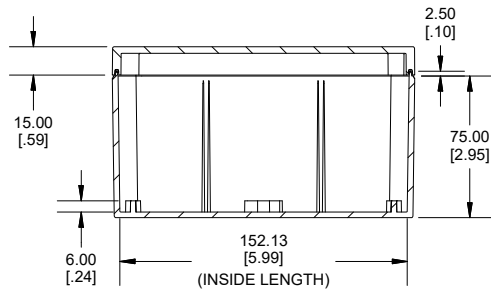


**SECTION B-B  
SIDE VIEW**

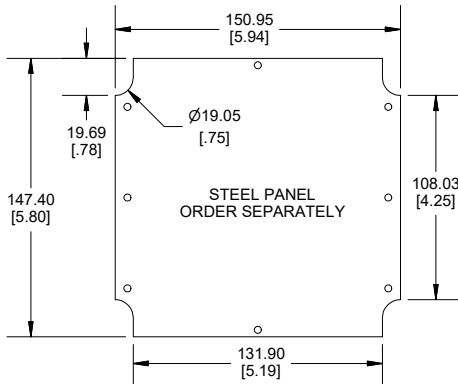


POLYCARBONATE  
VERSION ONLY  
UL US LISTED  
FILE #E65324  
TYPE 4,4X,6,6P

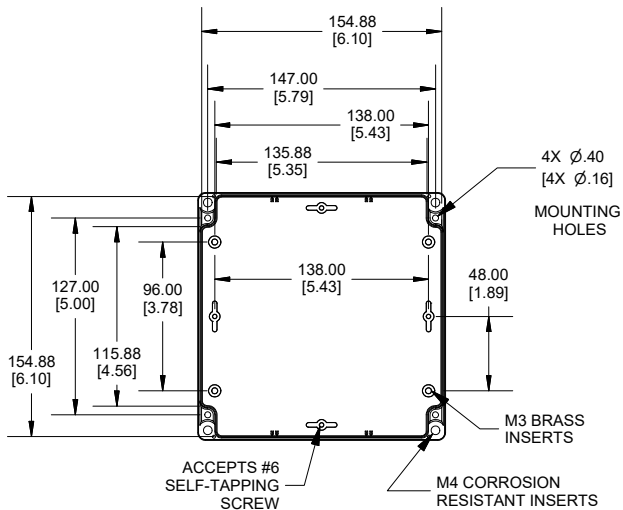
Enclosures can be Factory Modified (Milling, Drilling, Printing etc.)  
Contact Factory (modshop@hammfg.com) for quotes  
Solid models of this enclosure available in .stp or .x\_t  
(Part number and text placement/orientation on our products are subject to change,  
we do not recommend using them as a locating reference for modification purposes)



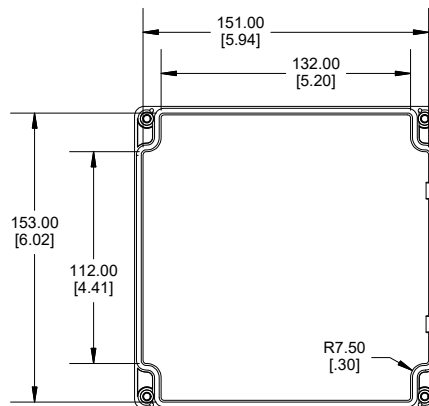
**SECTION A-A  
SIDE VIEW**



**STEEL PANEL  
ORDER SEPARATELY**



**INSIDE BOX**



**INSIDE LID**

**NOTE**  
Purchased assembly includes box, lid, 4 cover screws, and preformed silicone gasket.  
General Purpose ABS version is not UL approved. (Matl UL94 - HB)  
Polycarbonate version is UL 508A approved. (Matl UL94 - 5VA @ 3mm)  
**Recommended Cover screw torque -- 43-57 ozf-in (30-40 cN-m)**

1554S	
<b>1554S Regular Enclosure</b>	
General Purpose ABS RAL-7035	1554SGY
Polycarbonate RAL-7035	1554S2GY
<b>1554S Clear / Smoke Lid Enclosure</b>	
Polycarbonate Box / Clear Polycarbonate Lid	1554S2GYCL
Polycarbonate Box / Smoke Polycarbonate Lid	1554S2GYSL
<b>ACCESSORIES</b>	
Steel Inner Panels	1554RPL
Steel Panel / P.C. Board Screw [M3-0.5 x 8mm Plated] (Pkg 100)	1591MM100
Steel Panel / P.C. Board Self Tapping Screw [#6 X 1/4" (6.4mm) Plated] (Pkg 100)	1598ATS100
Stainless Steel Cover Screws [M4-0.7 X 20mm] (Pkg 50)	SC576-50
Silicone Pre-formed Gasket Black (Pkg 2)	1554RGASKET

**HAMMOND  
MANUFACTURING**

**1554S**

www.hammondmfg.com

Dimensions:  
mm  
[inches]