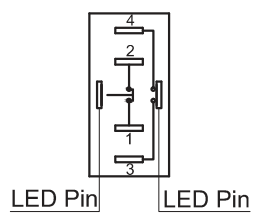
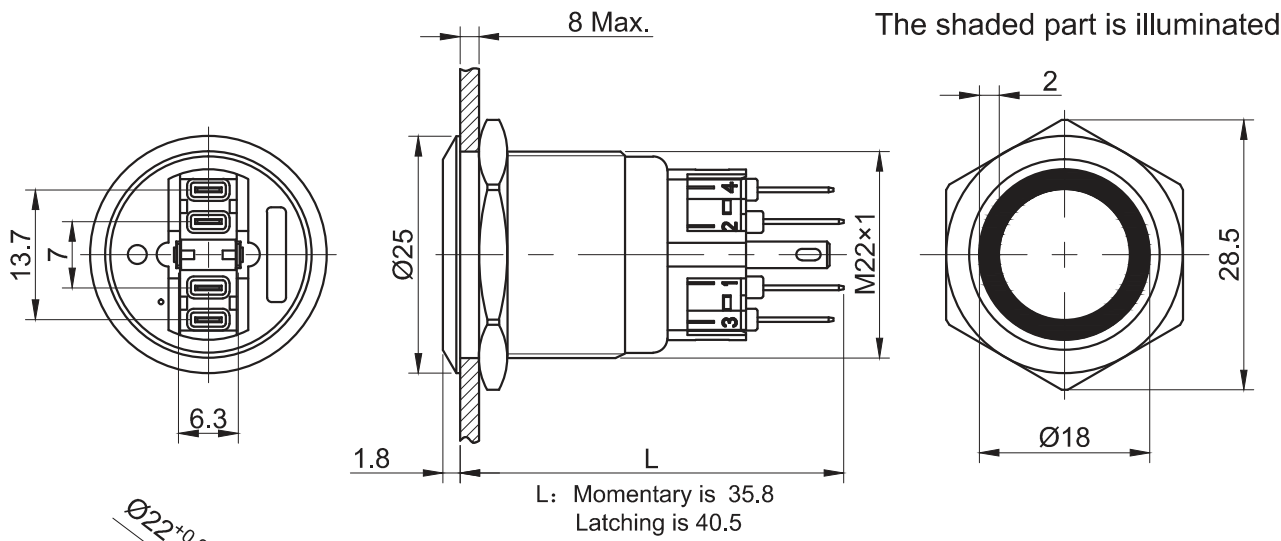
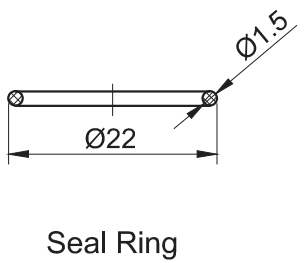
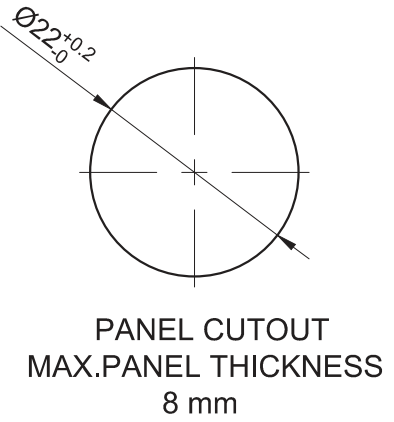


FOR 客户名称	APPROVED 客户确认签字	ATTN 销售负责人



Contact Composition
 1, 2, 3, 4 are one set;
 1,2 are normal closed(NC);
 3,4 are normal opened(NO).

L: Momentary is 35.8
 Latching is 40.5



Part Number:GQ22-11 ■ E/△/▲/◎

"■"	Operation mode
No Letter	Momentary
Z	Latching

"△"	Lamp Color
R	Red
G	Green
Y	Yellow
B	Blue
W	White

"▲"	Lamp Voltage
6V	AC/DC 6V
12V	AC/DC 12V
24V	AC/DC 24V
110V	AC/DC 110V
220V	AC/DC 220V
Other voltage can be made to order	

"◎"	Crust material
S	Stainless steel
A	Al alloy(black)

SPECIFICATIONS:

- 1.Switch Rating: AC250V/2A,DC220V/0.1A.
- 2.Mechanical Life:≥1,000,000cycles.
- 3.Electrical Life: ≥50,000cycles.
- 4.Contact Resistance: ≤50mΩ.
- 5.Insulation Resistance: ≥1,000MΩ.
- 6.Dielectric Strength: 1,500V, RMS 50Hz, 1min.
- 7.Operating Temperature: -25~ +55°C(No Freezing).
- 8.Operating Force: About 4N.
- 9.Operating Travel: About 2.5mm.
- 10.Torque: About 0.6Nm max.applied to nut.
- 11.IP Class: IP65,IP67(Momentary can made to order).
- 12.Terminal Type: Pin Terminal(2.8 x 0.5mm).

MATERIALS:

- 1.Contact: Silver alloy.
- 2.Button: ◎.
- 3.Body: ◎.
- 4.Base: PA.

BRAND 品牌 ONPOW	红波按钮制造有限公司 ONPOW PUSH BUTTON MANUFACTURE CO.,LTD.	
	USED 用途	APPD 审核 CH 2020/04/26
THESE DRAWINGS AND SPECIFICATIONS ARE THE PROPERTY OF ONPOW PUSH BUTTON MANUFACTURE CO.,LTD. AND SHALL NOT BE REPRODUCED COPIED OR USED IN ANY MANNER WITHOUT THE PRIOR WRITTEN CONSENT OF ONPOW PUSH BUTTON MANUFACTURE CO.,LTD.	FINISH 处理	CHKD 校对 NCH 2020/04/26
	SCALE 比例 1.2 / 1	UNIT 单位 mm
DIMENSIONS 0.00 TO 18.00mm ±0.43mm 18.01 TO 30.00mm ±0.52mm 30.01 TO 50.00mm ±0.62mm 50.01 TO 80.00mm ±0.74mm	TITLE 名称 GQ Series Anti-vandal push button	
DWG NO. 图号 GQ22-11E	SIZE 图纸 A4	
FILE NAME 档案名称 GQ22-E.DWG	SHEET 张 1 / 1	REV. 更改 1