

SPECIFICATION

Current Rate: 1.5 AMP
 Insulation Resistance: 500 MΩ Min.
 Contact Resistance: 40 mΩ Max.
 Dielectric Voltage: 1000 V AC
 Operation Temperature: 0 °C to +80 °C

MATERIAL

Insulator: PBT UL94V-0
 Contacts: Phosphor bronze

FINISH

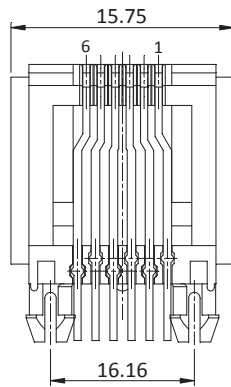
Contacts: Gold plated over nickel in contact area
 Tin plated over nickel in solder area

HANDLING

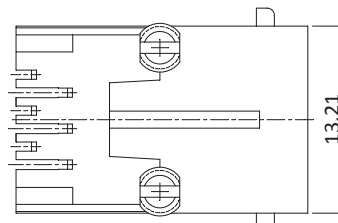
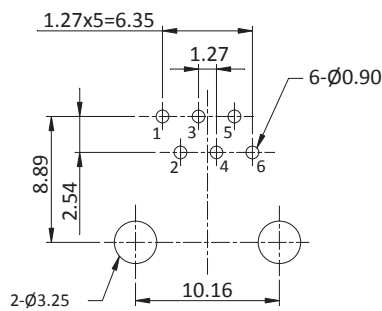
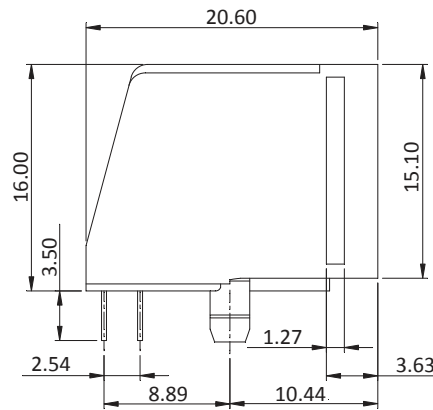
Processing: Wave soldering
 Packing: Tray

TOLERANCE

.XX ±0.25
 .X ±0.38



PCB Layout / Top View



Order Information

Series

MEB6/6P

Contact Plating

#

Modular Jack 6P6C Side Entry,
unshielded

empty : 6μ" Gold *

B : 15μ" Gold

C : 30μ" Gold

D : 50μ" Gold

* = Standard