

Description

Arduino® UNO Q (hereafter UNO Q) is a single-board computer that combines the Qualcomm® Dragonwing™ QRB2210 Microprocessor (MPU), a quad-core Arm® Cortex®-A53 running Debian Linux OS, with the STMicroelectronics STM32U585 Microcontroller (MCU), an Arm® Cortex®-M33 running Arduino Core on Zephyr OS. The Linux system and the microcontroller communicate through Bridge, Arduino's RPC (Remote Procedure Call) library. This allows Arduino sketches on the microcontroller to access Linux services for high-level tasks, while Linux applications can interact with microcontroller peripherals to handle real-time operations within the same project.

UNO Q comes with embedded eMMC storage (options 16 GB, 32 GB) and LPDDR4X SDRAM (options 2 GB, 4 GB) to run Linux and your projects smoothly. It features dual-band Wi-Fi® 5 and Bluetooth® 5.1 for wireless connectivity, a USB-C® connector with power delivery input and video output, and Arduino-compatible headers for easy expansion with shields, carriers, and accessories.

UNO Q integrates seamlessly with Arduino App Lab, enabling developers to combine Arduino sketches, Linux applications, and AI models in one environment. App Lab can run directly on the board or from a connected PC, offering ready-to-use examples, and the flexibility to create custom apps tailored to your projects.



Target Areas

Prototyping, Edge AI & ML, Machine Vision, Education, Smart Devices, Robotics, Home and Building Automation, Gaming

CONTENTS

1 Application Examples	5
2 Features	6
2.1 UNO Q Variants	6
2.2 General Specifications Overview	6
2.2.1 Processing & Memory	6
2.2.2 Connectivity & Media	7
2.2.3 Expansion & Headers	8
2.3 Related Products	9
3 Ratings	10
3.1 Input Power	10
3.2 Recommended Operating Conditions	11
3.3 On-Board Voltage Rails	11
4 Functional Overview	12
4.1 Pinout	12
4.2 Block Diagram	13
4.3 Power Supply	13
5 UI & Indicators	15
6 MPU & MCU	16
6.1 Application Processor (MPU)	16
6.2 Real-Time Microcontroller (MCU)	16
7 Inter-Processor Communication	17
8 Peripherals	17
8.1 JMISC (B1) (JMISC1) - Pin Map	19
8.2 JMEDIA (B2) (JMEDIA1) - Pin Map	21
8.3 Qwiic (A4) (QWIIC1) - Pin Map	23
8.4 JSPI (A5) (JSPI1) - Pin Map	23
8.5 JCTL (A1) (JCTL1) - Pin Map	23
8.6 JDIGITAL (A2) (JDIGITAL1) - Pin Map	24
8.7 JANALOG (A3) (JANALOG1) - Pin Map	25
9 High-Speed Peripherals	26
10 Device Operation	27
10.1 Getting Started - Arduino App Lab	27
10.2 Bricks	28



10.3 Hello World	29
10.4 How to Check the App Is Running	29
10.5 Power Button	30
10.6 Online Resources	30
11 Mechanical Information	31
12 Declaration of Conformity CE DoC (EU)	32
13 Declaration of Conformity to EU RoHS & REACH 191 11/26/2018	
14 Conflict Minerals Declaration	33
15 FCC Caution	33

1 Application Examples

UNO Q combines an AI-capable Linux processor with a real-time microcontroller, delivering the best of high-level computing and deterministic control. Alongside this dual architecture, it supports a broad ecosystem of Arduino shields, carriers, Modulino® nodes, and third-party accessories, making it a flexible platform for diverse applications.

- **Prototyping:** Rapid proof-of-concepts such as vision-based inspection tools, smart kiosks, or compact edge computers with built-in connectivity.
- **Education:** Teaching Linux, real-time programming, AI, and computer vision through project-based learning, from science experiments to interactive educational robots.
- **Robotics:** Autonomous delivery robots, gesture-following companions, and robotic arms with visual feedback, combining Linux vision with MCU-driven motor control.
- **Smart Consumer Devices:** DIY smart cameras, interactive displays, or AR projects powered by dual cameras and GPU acceleration.
- **Home & Building Automation:** Smart doorbells with facial recognition, voice-controlled systems, and personalized climate hubs.
- **Gaming:** Retro console emulation, custom arcade cabinets, or enhanced gameplay with gesture-based controls, face tracking, and real-time feedback.

2 Features

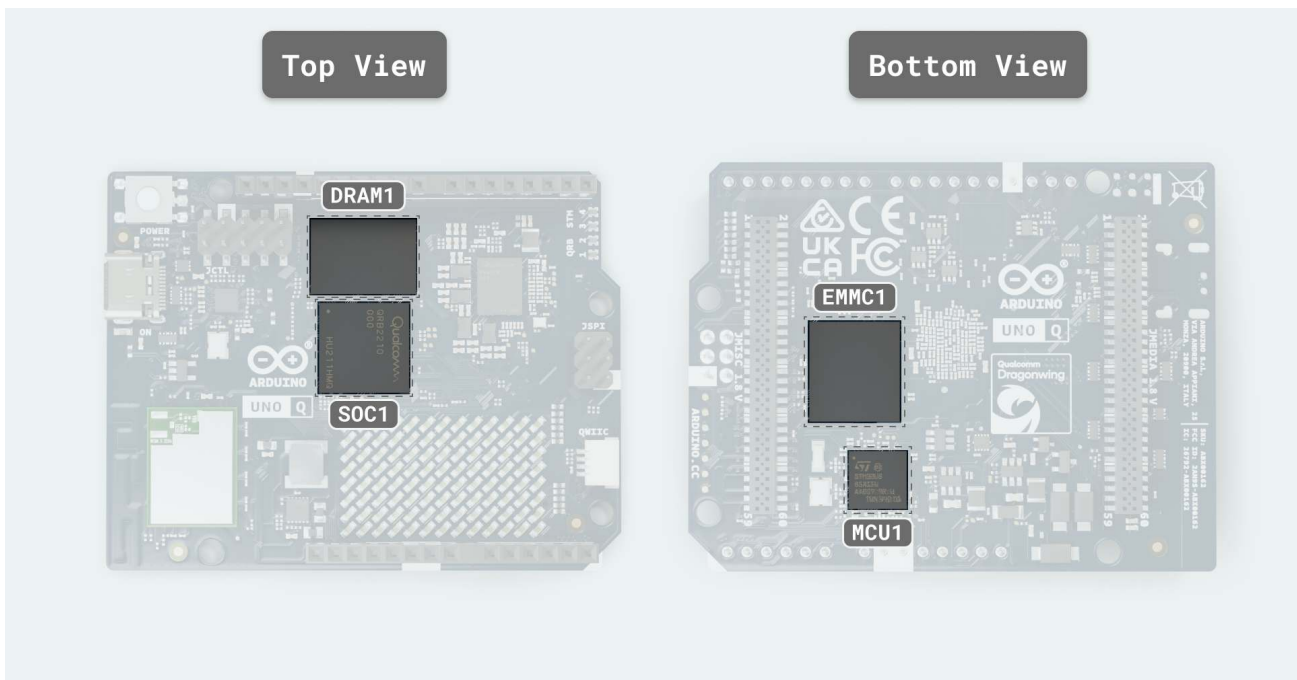
2.1 UNO Q Variants

UNO Q is available in two variants:

- **ABX00162:** 2 GB RAM, 16 GB on-board storage
- **ABX00173:** 4 GB RAM, 32 GB on-board storage

2.2 General Specifications Overview

2.2.1 Processing & Memory

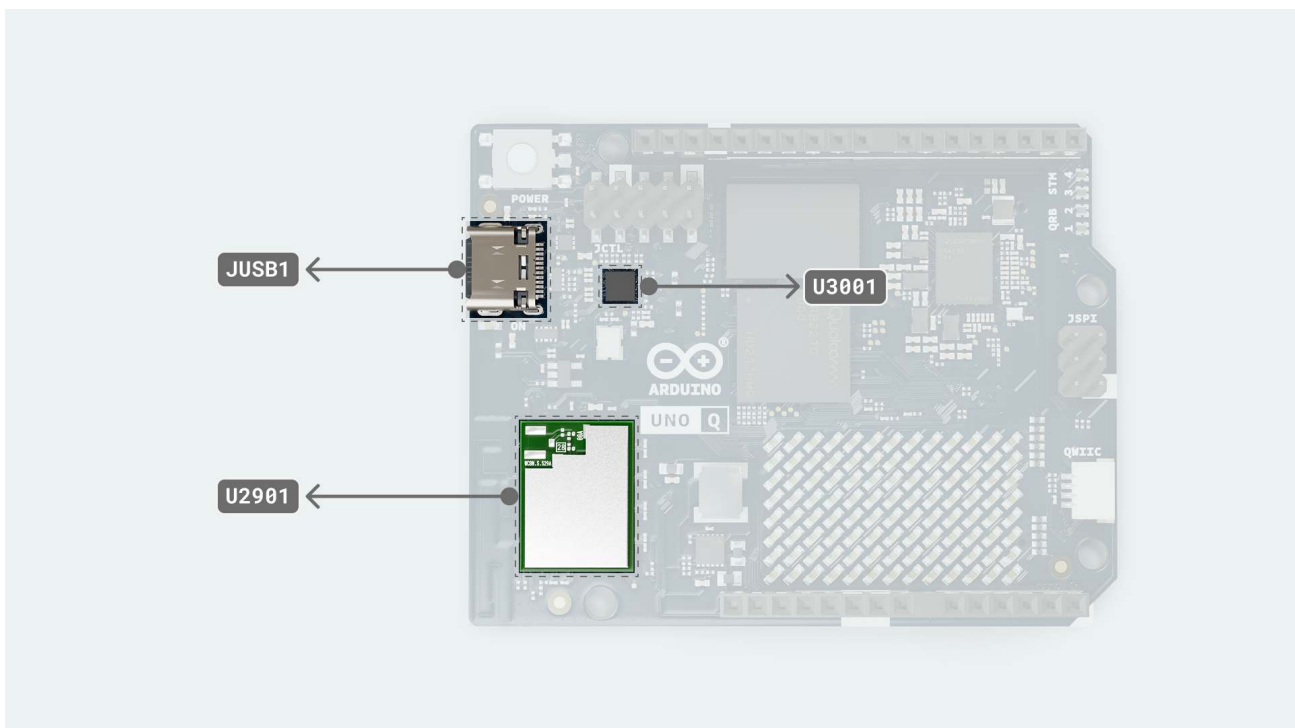


Subsystem	Details
Main MPU	<ul style="list-style-type: none"> - Qualcomm Dragonwing™ QRB2210 - System-on-Chip (SoC) (MPU) (SOC1): 4 × Arm Cortex-A53 @ 2.0 GHz, 64-bit - Adreno 702 GPU @ 845 MHz (3D graphics) - Dual ISPs: 13 MP + 13 MP or 25 MP @ 30 fps - Debian OS (upstream support) - I/O: USB 3.1 with Role-Switching Capabilities over USB Connector, SDIO 3.0, 4-lane MIPI-CSI-2 & 4-lane MIPI-DSI
Real-time MCU	<ul style="list-style-type: none"> - ST STM32U585 (MCU) (MCU1), Arm Cortex-M33 up to 160 MHz - Arduino Core on Zephyr OS

Subsystem	Details
	- 2 MB Flash, 786 kB SRAM
System Memory	- eMMC 16 or 32 GB options (EMMC1) for OS/data - LPDDR4X 2GB or 4 GB options (single-rank, 32-bit) (DRAM1)

The Qualcomm Dragonwing™ QRB2210 I/O operates at 1.8 V. The MPU drives the MIPI-CSI-2 camera and MIPI-DSI display interfaces on JMEDIA, and the 1.8 V MPU (SoC) GPIO and audio endpoints exposed on JMISC. JMISC is a mixed-voltage header that also carries 3.3 V MCU signals and analog audio alongside the 1.8 V MPU lines. DisplayPort video is provided by the on-board ANX7625, which converts the MPU's MIPI-DSI to DisplayPort Alt-Mode on USB-C. The STM32U585 manages ADC, PWM, CAN, the LED matrix, and the 3.3 V headers (JDIGITAL, JANALOG, JSPI, and Qwiic).

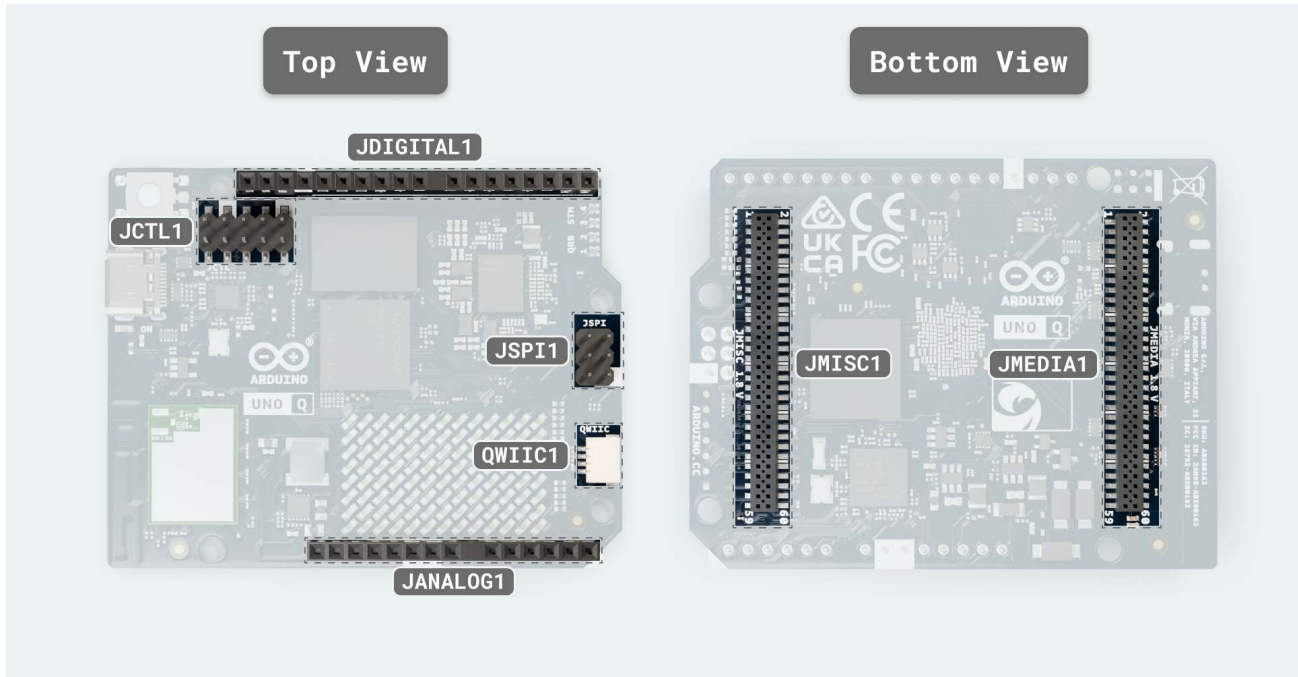
2.2.2 Connectivity & Media



Subsystem	Details
Wireless Module	- WCBN3536A (Qualcomm WCN3980) (U2901) - Wi-Fi® 5 802.11a/b/g/n/ac (dual-band) + Bluetooth® 5.1
USB-C Port (JUSB1)	- USB 3.1 with Role-Switching Capabilities - DisplayPort Alt-Mode via the ANX7625 DSI-to-DP bridge (U3001) (SuperSpeed differential pairs on the Type-C are routed for DP Alt Mode) - USB Power Delivery negotiation requests a 5 V / 3 A contract only (no higher-voltage profiles) - VBUS load-switch/back-drive protection (Q2801)

The wireless module uses SDIO for Wi-Fi® data and a UART for Bluetooth® control, with a shared PCB antenna.

2.2.3 Expansion & Headers



Interface (Connector)	Voltage & Pin Count	Details
JMEDIA (JMEDIA1)	1.8 V signals, 60-pin	<ul style="list-style-type: none"> - High-speed camera/display lanes (MIPI DSI, CSI) - Camera control bus (CCI I²C) - dedicated, not general-purpose GPIO - Camera clocks (SOC_CAM_MCLK0/1) - Also carries power rails (+3V3 OUT, VIN IN) and GND
JMISC (JMISC1)	Mixed 1.8 V / 3.3 V, 60-pin	<ul style="list-style-type: none"> - Mixed GPIO and SDIO - MCU peripherals: SDMMC1, TRACE, PSSI (parallel camera), I²C4, MCO/CRS_SYNC, OPAMP1 pins - Audio endpoints: Mic2 INP/INM/BIAS, Headphone L/R + REF, LineOut P/M, Earpiece P/R, HS_DET - MPU (SoC) GPIO banks (SE0) at 1.8 V - Also carries power rails (+5V USB OUT, +3V3 OUT, +1V8 OUT, VBAT IN, VCOIN IN) and GND
JCTL (JCTL1)	1.8 V, 10-pin	<ul style="list-style-type: none"> - SE4 UART console - Forced USB boot input - PMIC reset input



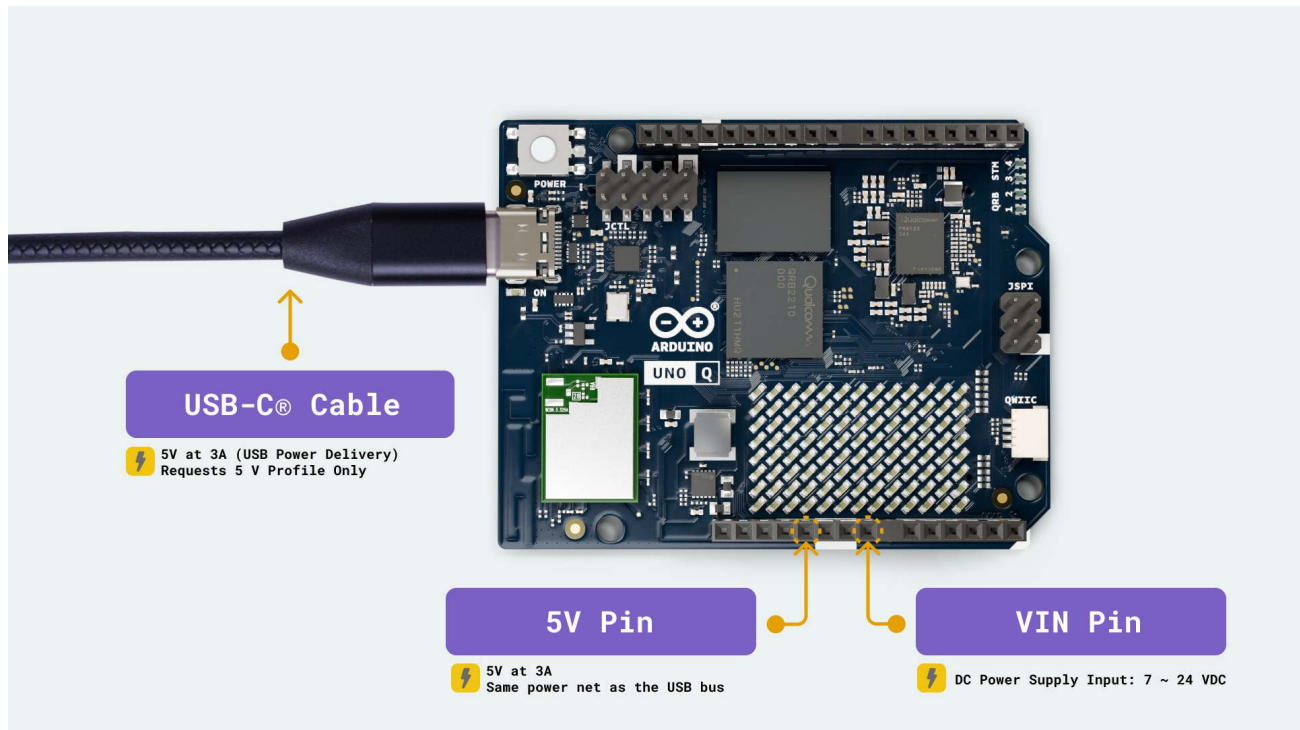
Interface (Connector)	Voltage & Pin Count	Details
		- VBUS power-switch disable - 1.8 V rail and GND
JDIGITAL (JDIGITAL1)	3.3 V, 18-pin	- Digital I/O for SPI, I ² C, UART, PWM, CAN
JANALOG (JANALOG1)	3.3 V, 14-pin	- Analog I/O - ADC channels and references
JSPI (JSPI1)	3.3 V logic, 6-pin + 5 V VBUS	- Dedicated SPI: MOSI, MISO, SCLK - MCU reset (NRST) - Ground - 5 V VBUS (USB power)
Qwiic (QWIIC1)	3.3 V, 4-pin	- I ² C (Qwiic ecosystem)

2.3 Related Products

- Arduino UNO shields via JDIGITAL and JANALOG
- UNO Q compatible carrier boards
- Full 24-pin USB-C cable
- USB-C dongle with external power delivery capabilities

3 Ratings

3.1 Input Power



UNO Q Input Methods

Source	Voltage Range	Maximum Current	Connector
USB-C VBUS	5 V	up to 3 A	USB-C connector
VIN (DC IN)	7-24 V	-	JMEDIA, JANALOG (VIN)
5 V Pin	5 V	up to 3 A	JANALOG

UNO Q supports dual power inputs: a USB-C port and a 7-24V DC input. Over USB Power Delivery, it requests only the 5 V / 3 A contract and does not request higher-voltage PD profiles. Use a supply and cable rated for 5 V at 3 A to avoid undervoltage during short activity peaks such as wireless bursts or display initialization. A regulated external 5 V DC source can also be used to supply power to the board via the 5 V pin on the JANALOG header.

USB-C VBUS and the 5 V output of the 7-24 V buck are *diode-OR* combined onto the system 5 V bus (5V_SYS). From 5V_SYS, the design derives the 3.8 V pre-regulator node and, subsequently, the 3.3 V. The PMIC, powered by 5V_SYS, derives the 1.8V rail.

Reverse-polarity protection: Verified with -24 V applied to DC IN. The operation is specified only with the correct polarity. Do not apply reverse voltage during normal use.

Schottky OR path: Forward-voltage drop from the buck output to 5V_SYS was measured as follows (JANALOG VIN injection, Rigol DP832 supply in series, Keithley DMM6500 measurement, 8542B active load). Power dissipation is calculated as $P = I \times V_f$.

Load current	Forward drop (Vf)	Diode dissipation
1.0 A	0.35 V	0.35 W
1.5 A	0.37 V	0.56 W
2.0 A	0.39 V	0.78 W

3.2 Recommended Operating Conditions

Use the limits below to size power sources, define rail tolerances, and plan thermal margin:

Parameter	Symbol	Minimum	Typical	Maximum	Unit
USB-C input	VBUS_USBC	4.5	5.0	5.5	V
DC input	DC_IN	7.0	-	24.0	V
3.3 V system rail	PWR_3P3V	3.1	3.3	3.5	V
Operating temperature	T_OP	-10	-	60	°C

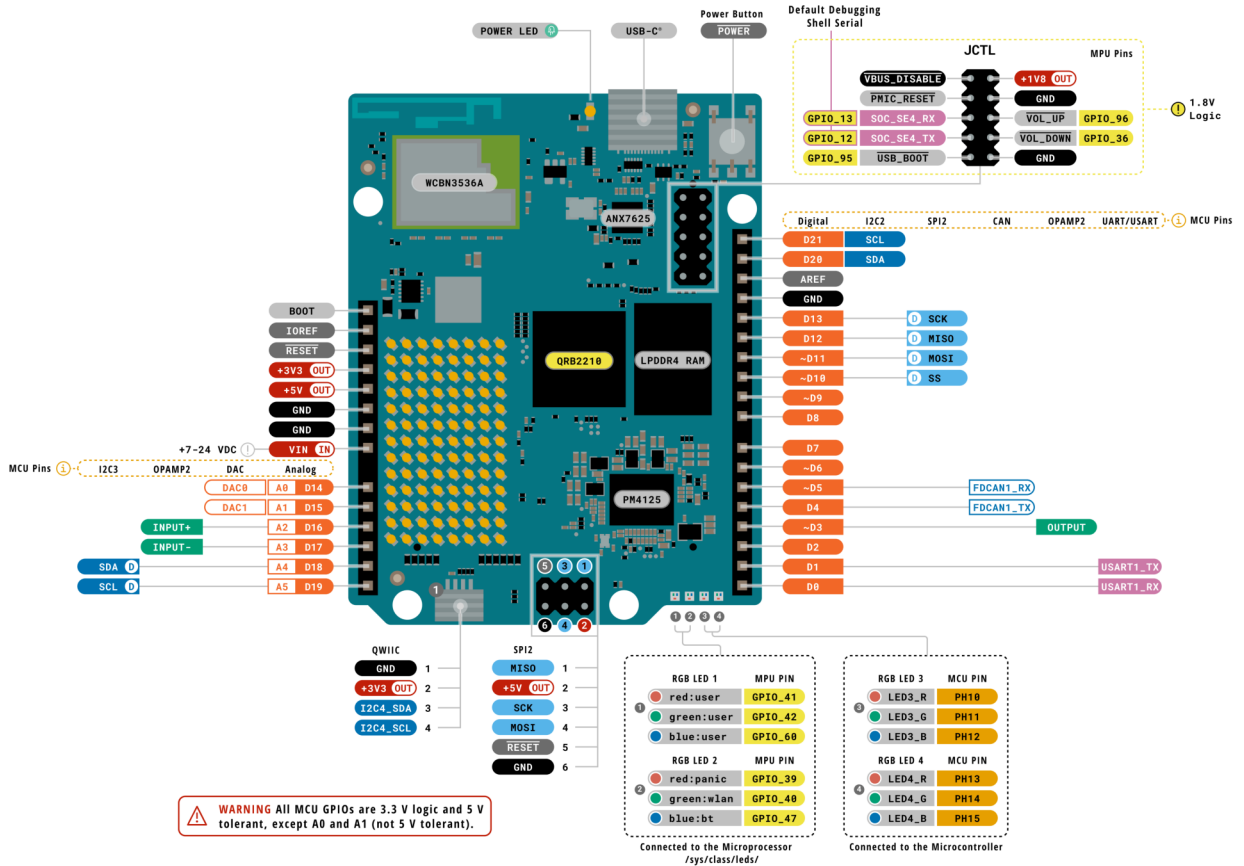
Minimum indicates the lowest continuous value for regular operation; brief dips can cause resets or link drops. *Typical* is the nominal design point. *Maximum* must not be exceeded. For DC_IN (7-24 V), select a supply that comfortably covers the 5 V load and use short cables to reduce voltage drop. The PWR_3P3V range reflects regulator tolerance and load. The temperature range refers to ambient air near the board, and operating near the limits can reduce available output current.

3.3 On-Board Voltage Rails

Voltage	Rail	Origin / Regulator
5.0 V	5V_SYS	Diode OR of USB-C VBUS and 7-24 V buck output (both via Schottky rectifiers)
3.8 V	PWR_3P8V	Step-down (buck) from 5V_SYS
3.3 V	PWR_3P3V	Step-down (buck) from PWR_3P8V
1.8 V	VREG_L15A_1P8V	PM4125 LDO L15A from 5V_SYS

4 Functional Overview

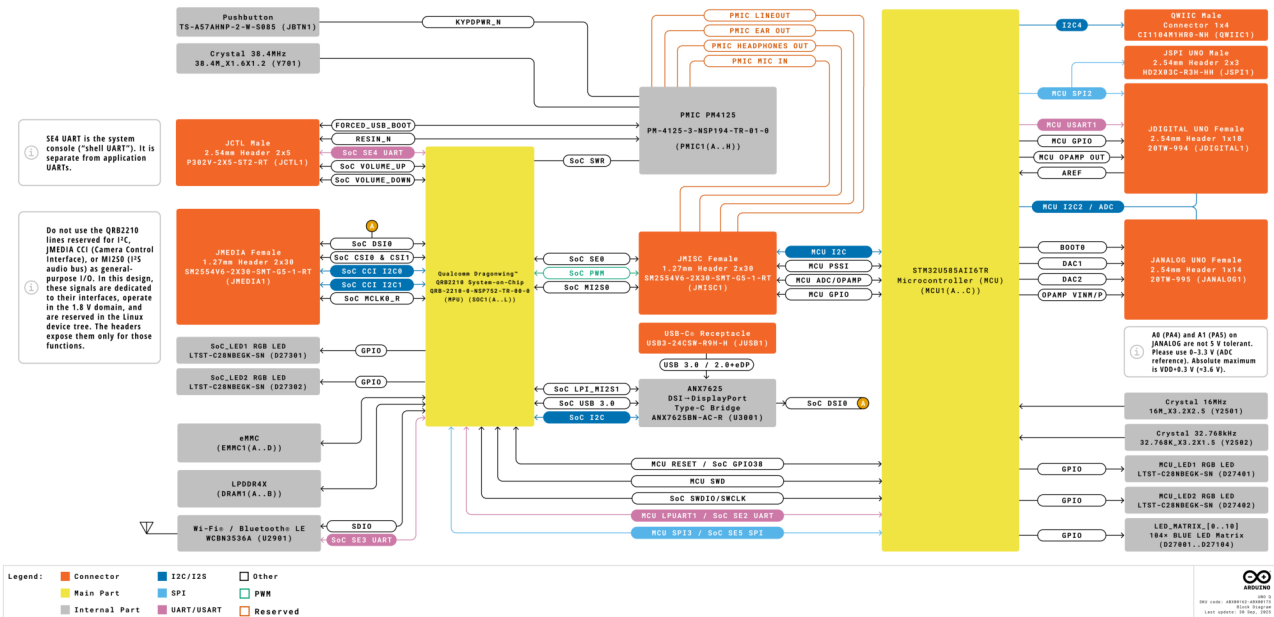
4.1 Pinout



Legend:	■ Digital	■ I2C	 Other SERIAL
■ Power	 Analog	■ SPI	■ Analog
■ Ground	 Main Part	■ UART/USART	 Internal Part

UNO Q
 SKU code: ABX00162-ABX00173
 Pinout
 Last update: 30 Sept, 2025

4.2 Block Diagram



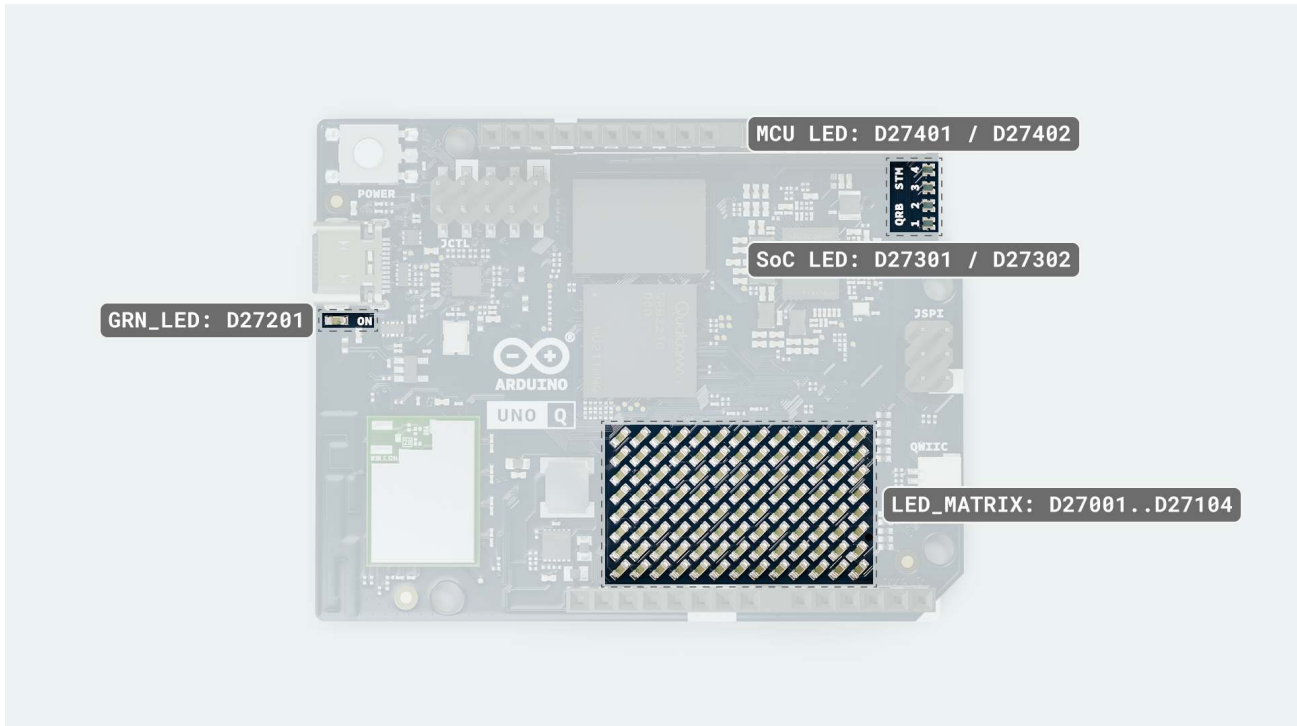
4.3 Power Supply

UNO Q supports dual power inputs: a USB-C port and a 7-24V DC input. *USB-C VBUS* and the 5 V output of the 7-24 V buck are *diode-OR* combined onto the system 5 V bus (*5V_SYS*).

5V_SYS supplies the **PM4125 PMIC (PMIC1)** at *USB_IN*. The PMIC's L15A LDO provides the 1.8 V rail (*VREG_L15A_1P8V*) and powers the SoC I/O banks, ANX7625 DVDD18, Wi-Fi® digital logic, and the on-board level shifters. The 1.8 V rail is also available on *JMISC*. From *5V_SYS*, a buck generates the *PWR_3P8V* (3.8 V) reserved for system design and future features. A second buck generates *PWR_3P3V* for the STM32U585, the ANX7625 (3.3 V rails), the Wi-Fi® 3.3 V domain, and the 3.3 V header pins.

A *protected P-channel MOSFET* (Q2801) can source USB VBUS from *5V_SYS* when the board operates as a USB host/OTG. The *VC0IN* powers only the real-time clock of the PMIC and does not power the Linux or MCU domains. The *VBAT* powers the real-time clock of the MCU.

5 UI & Indicators



- **RGB LEDs (Linux-controlled):** Two tri-color LEDs are driven by the Qualcomm Dragonwing™ QRB2210 application processor and exposed via `/sys/class/leds/`.
 - **RGB LED 1 (D27301):** channels: red:user → **GPIO_41**, green:user → **GPIO_42**, blue:user → **GPIO_60**.
 - **RGB LED 2 (D27302):** channels: red:panic → **GPIO_39**, green:wlan → **GPIO_40**, blue:bt → **GPIO_47**.
By default, RGB LED 2 indicates system status, PANIC, WLAN, and BT, but it can also be user-controlled. PWM frequency is approximately 2 kHz for smooth color transitions.
- **RGB LEDs (MCU-controlled):** Two tri-color LEDs are driven by the STM32U585.
 - **RGB LED 3 (D27401):** LED3_R → **PH10**, LED3_G → **PH11**, LED3_B → **PH12**.
 - **RGB LED 4 (D27402):** LED4_R → **PH13**, LED4_G → **PH14**, LED4_B → **PH15**.

The RGB LEDs are active-low, meaning they turn on when driven to logic `0`.

- **LED matrix (D27001..D27104):** 8 × 13 monochrome blue LED matrix (104 pixels) driven by the STM32U585. It displays the boot logo for approximately 20–30 seconds during Linux startup. Accessing the matrix before startup completes may interfere with MCU operation.
- **Power LED (D27201):** Green indicator tied to the 3.3 V rail and illuminated whenever the board is powered.

6 MPU & MCU

An MPU (Microprocessor unit) is a high-performance application processor designed to run a full operating system and complex software. An MCU (Microcontroller unit) is a small, power-efficient controller focused on fast, precise timing for I/O and control. UNO Q combines both to pair OS-level compute with responsive, time-critical control on a single-board board and communicate through Bridge, an RPC layer implemented on both sides.

6.1 Application Processor (MPU)

Qualcomm® Dragonwing™ QRB2210 is a quad-core Arm® Cortex®-A53 running Debian Linux OS. Its I/O operates at 1.8 V and it handles the high-speed media and Type-C/PD policy.

- Voltage domain: 1.8 V for MPU (SoC) GPIO and high-speed interfaces
- Drives JMEDIA: MIPI-CSI-2 camera and MIPI-DSI display lanes
- Drives 1.8 V MPU GPIO and audio endpoints on JMISC (mixed-voltage header)
- USB-C: role switching and PD negotiation (requests 5 V / 3 A)
- DisplayPort output via on-board ANX7625 (converts MIPI-DSI to DP Alt-Mode)

6.2 Real-Time Microcontroller (MCU)

STMicroelectronics® STM32U585 is an Arm® Cortex®-M33 running Arduino Core on Zephyr OS. It provides fast, precise timing for control tasks and 3.3 V I/O headers.

- Voltage domain: 3.3 V for GPIO and analog (VREF+ \approx 3.3 V)
- Manages ADC, PWM, CAN, LED matrix, timers
- Handles 3.3 V headers: JDIGITAL, JANALOG, JSPI, Qwiic

JMISC handles both domains: 1.8 V MPU lines sit alongside 3.3 V MCU signals (e.g., PSSI, SDMMC1, TRACE, I²C4) and analog/audio. Please check the voltage levels when attaching carriers or external logic.

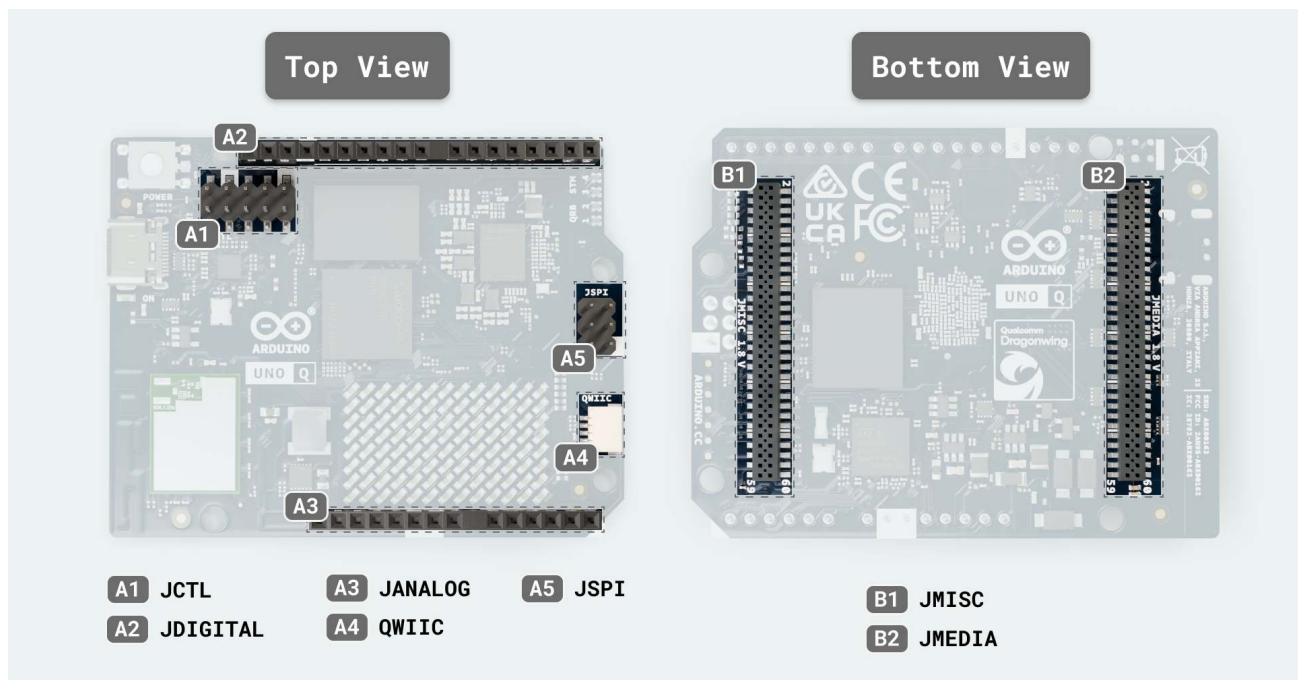
7 Inter-Processor Communication

The Qualcomm® Dragonwing™ QRB2210 (MPU) and the STM32U585 (MCU) communicate through the Arduino Bridge, a software-based Remote Procedure Call (RPC) layer implemented on both the Linux and MCU sides. Bridge provides a service-oriented API that allows either processor to expose services for the other to call, while also supporting one-way notifications for asynchronous events. It manages message routing between processors and accommodates multiple physical transports. Through its API, Bridge enables type-safe function calls, allowing microcontroller sketches to invoke Linux services and receive structured responses, or to push data via notifications.

If a hardware indicator is required for a carrier board or external logic, firmware can dedicate a 1.8V MPU GPIO on JMISC, or an available JCTL GPIO, as a ready or wake output. This signal can be received on an MCU GPIO through level-compatible circuitry, such as a level shifter or open-drain configuration with a pull-up resistor. The firmware defines the exact role of this signal. Alternatively, activity on the selected transport (USB CDC, UART, or SPI) can serve as a wake source when the MCU is in sleep mode.

MPU GPIO signals operate in the application processor's low-voltage domain (1.8 V). Ensure any connection to the microcontroller is level-compatible with its I/O voltage rail (3.3 V). For example, use a level shifter or an open-drain configuration with a pull-up to the microcontroller's I/O rail.

8 Peripherals



UNO Q Peripherals

- **JDIGITAL (A2) (JDIGITAL1) / JANALOG (A3) (JANALOG1):** 3.3 V GPIO with support for SPI, UART, CAN, PWM, and ADC inputs. Analog inputs are referenced to VREF+ on the 3.3 V rail. Valid input range is 0 V to VREF+. Some STM32U585 pads may be 5 V-tolerant in digital mode, but when configured as ADC or any analog function (such as A0 through A5), they are not 5 V-tolerant and must not exceed $VDD + 0.3$ V. Use external conditioning like a voltage divider or buffer for higher voltages. For A4/A5 when used as I2C3 (PC1/PC0), use pull-ups to 3.3 V only.
- **QWIIC Connector (A4) (QWIIC1):** Additional I²C bus (3.3 V logic). It maps as **PD13 (I2C4_SDA)** and **PD12 (I2C4_SCL)**. It guarantees plug-and-play compatibility with Modulino® nodes and 3rd party sensors and actuators.
- **JSPI (A5) (JSPI1):** 3.3 V SPI header for peripherals that provides MOSI, MISO, and SCLK signals, with chip-select available through a GPIO pin on JDIGITAL/JMISC. The pins use STM32U585 FT-type configuration with MISO on PC2, MOSI on PC3, and SCK on PD1. They are 5 V-tolerant as inputs or in open-drain, while outputs drive 3.3 V. Add level shifting if a 5 V input threshold or 5 V bidirectional signaling is required. Includes a 5V_SYS power pin.
- **JMEDIA (B2) (JMEDIA1):** Four-lane camera and display signals in the 1.8 V domain (MIPI-CSI-2 and MIPI-DSI).
- **JMISC (B1) (JMISC):** Mixed function header combining 3.3 V MCU signals and 1.8 V MPU signals. It provides MCU PSSI (parallel camera) bus, SDMMC1 test pins, TRACE, I2C4, MCO/CRS_SYNC, and OPAMP1 analog pins. Also it breakout out audio (Mic2, Headphone L/R+REF, LineOut P/M, Earpiece P/R, HS_DET) and power rails (+3V3, +5V_USB, +1V8, VBAT and VCOIN for system use). Observe voltage domains: **MCU pins are 3.3 V, MPU GPIO are 1.8 V.**
- **JCTL (A1) (JCTL1):** Boot-mode pins, reset, and low-power wake signals (1.8 V logic).

SE4 UART is the system console (shell UART). It is separate from application UARTs and should not be repurposed for user I/O. It operates in the MPU's **1.8 V** I/O domain.

Do not use the Qualcomm Dragonwing™ QRB2210 lines reserved for **I²C**, **JMEDIA CCI** (Camera Control Interface), or **MI2S0** (I²S audio bus) as general-purpose I/O. These signals are interface-dedicated, operate at **1.8 V**, and are reserved in the Linux device tree. The headers expose them only for those functions.

8.1 JMISC (B1) (JMISC1) - Pin Map

Pin	Designation	MCU/SoC Pin	Domain	Notes
1	MCU_PSSI_D0	PC6	3.3V MCU	PSSI D0
2	MCU_SDMMC1_CMD	PD2	3.3V MCU	SDMMC1 CMD / test
3	MCU_PSSI_D1	PC7	3.3V MCU	PSSI D1
4	MCU_TRACE_CLK	PE2	3.3V MCU	Trace clock
5	MCU_PSSI_D2	PC8	3.3V MCU	PSSI D2
6	MCU_TRACE_D0	PE3	3.3V MCU	Trace data 0
7	MCU_PSSI_D3	PC9	3.3V MCU	PSSI D3
8	MCU_TRACE_D2	PE5	3.3V MCU	Trace data 2
9	MCU_PSSI_D4	PE4	3.3V MCU	PSSI D4
10	MCU_TRACE_D3	PE6	3.3V MCU	Trace data 3
11	MCU_PSSI_D5	PI4	3.3V MCU	PSSI D5
12	MCU_PE7	PE7	3.3V MCU	GPIO
13	MCU_PSSI_D6	PI6	3.3V MCU	PSSI D6
14	MCU_PE8	PE8	3.3V MCU	GPIO
15	MCU_PSSI_D7	PI7	3.3V MCU	PSSI D7
16	MCU_I2C4_SCL	PF14	3.3V MCU	I ² C4 SCL
17	MCU_PSSI_PDCK	PD9	3.3V MCU	PSSI clock
18	MCU_I2C4_SDA	PF15	3.3V MCU	I ² C4 SDA
19	MCU_PSSI_RDY	PI5	3.3V MCU	PSSI ready
20	MCU_OPAMP1_VOUT	PA3	Analog	OpAmp1 VOUT
21	MCU_PSSI_DE	PD8	3.3V MCU	PSSI data enable
22	MCU_OPAMP1_VINP	PA0	Analog	OpAmp1 VINP
23	MCU_MCO	PA8	3.3V MCU	MCU clock out
24	MCU_OPAMP1_VINM	PA1	Analog	OpAmp1 VINM
25	MCU_CRYS_SYNC	PA10	3.3V MCU	CRS sync
26	GND	-	Power	Ground
27	GND	-	Power	Ground
28	EAR_P_R	-	Analog	Audio ear P_R
29	MIC2_INP	-	Analog	Mic2 IN+
30	EAR_M_R	-	Analog	Audio ear M_R
31	MIC2_INM	-	Analog	Mic2 IN-
32	LINEOUT_P	-	Analog	Line out P
33	MIC2_BIAS	-	Analog	Mic2 bias
34	LINEOUT_M	-	Analog	Line out M
35	GND	-	Power	Ground
36	HPH_L	-	Analog	Headphone L
37	SOC_GPIO_0_SE0	-	1.8V MPU	SoC GPIO 0 (SE0)
38	HPH_R	-	Analog	Headphone R
39	SOC_GPIO_1_SE0	-	1.8V MPU	SoC GPIO 1 (SE0)
40	HPH_REF	-	Analog	Headphone REF
41	SOC_GPIO_2_SE0	-	1.8V MPU	SoC GPIO 2 (SE0)



Pin	Designation	MCU/SoC Pin	Domain	Notes
42	HS_DET	-	Analog	Headset detect
43	SOC_GPIO_3_SE0	-	1.8V MPU	SoC GPIO 3 (SE0)
44	GND	-	Power	Ground
45	SOC_GPIO_86_SE0	-	1.8V MPU	SoC GPIO 86 (SE0)
46	SOC_GPIO_98	-	1.8V MPU	SoC GPIO 98
47	SOC_GPIO_82_SE0	-	1.8V MPU	SoC GPIO 82 (SE0)
48	SOC_GPIO_99	-	1.8V MPU	SoC GPIO 99
49	SOC_GPIO_18	-	1.8V MPU	SoC GPIO 18
50	SOC_GPIO_100	-	1.8V MPU	SoC GPIO 100
51	SOC_GPIO_28	-	1.8V MPU	SoC GPIO 28
52	SOC_GPIO_101	-	1.8V MPU	SoC GPIO 101
53	+3V3 (OUT)	-	Power	3.3 V power out
54	+5V_USB (OUT)	-	Power	5 V power out
55	+3V3 (OUT)	-	Power	3.3 V power out
56	+5V_USB (OUT)	-	Power	5 V power out
57	+1V8 (IN)	-	Power	1.8 V rail in
58	GND	-	Power	Ground
59	VCOIN (IN)	-	Power	System voltage (PMIC RTC)
60	VBAT (IN)	-	Power	System voltage (MCU RTC)

Note: SoC GPIO lines on JMISC are interface-dedicated (not maker GPIO). MCU are at 3.3 V logic, MPU are at 1.8 V logic, and audio/mic are analog.

8.2 JMEDIA (B2) (JMEDIA1) - Pin Map

Pin	Designation	Domain	Notes
1	GND	Power	Ground
2	GND	Power	Ground
3	MIPI_DSIO_CLK_M	MIPI D-PHY	DSI clock -
4	MIPI_DSIO_L1_P	MIPI D-PHY	DSI lane1 +
5	MIPI_DSIO_CLK_P	MIPI D-PHY	DSI clock +
6	MIPI_DSIO_L1_M	MIPI D-PHY	DSI lane1 -
7	GND	Power	Ground
8	GND	Power	Ground
9	MIPI_DSIO_L2_M	MIPI D-PHY	DSI lane2 -
10	MIPI_DSIO_L0_P	MIPI D-PHY	DSI lane0 +
11	MIPI_DSIO_L2_P	MIPI D-PHY	DSI lane2 +
12	MIPI_DSIO_L0_M	MIPI D-PHY	DSI lane0 -
13	GND	Power	Ground
14	GND	Power	Ground
15	MIPI_DSIO_L3_M	MIPI D-PHY	DSI lane3 -
16	SOC_CAM_MCLK0 (GPIO_20)	1.8V MPU	Camera master clock 0
17	MIPI_DSIO_L3_P	MIPI D-PHY	DSI lane3 +
18	SOC_CAM_MCLK1 (GPIO_21)	1.8V MPU	Camera master clock 1
19	GND	Power	Ground
20	GND	Power	Ground
21	CSI0_C0_LN0_M	MIPI D-PHY	CSI0 data0 -
22	CCI_I2C_SDA1 (GPIO_29)	1.8V MPU	Camera control I ² C SDA1
23	CSI0_B0_LN0_P	MIPI D-PHY	CSI0 data0 +
24	CCI_I2C_SCL1 (GPIO_30)	1.8V MPU	Camera control I ² C SCL1
25	GND	Power	Ground
26	GND	Power	Ground
27	CSI0_B1_LN1_M	MIPI D-PHY	CSI0 data1 -
28	CSI1_B2_LN3_P	MIPI D-PHY	CSI1 data3 +
29	CSI0_A1_LN1_P	MIPI D-PHY	CSI0 data1 +
30	CSI1_C2_LN3_M	MIPI D-PHY	CSI1 data3 -
31	GND	Power	Ground
32	GND	Power	Ground
33	CSI0_A0_CLK_M	MIPI D-PHY	CSI0 clock -
34	CSI1_C1_LN2_P	MIPI D-PHY	CSI1 data2 +
35	CSI0_NC_CLK_P	MIPI D-PHY	CSI0 clock +
36	CSI1_A2_LN2_M	MIPI D-PHY	CSI1 data2 -
37	GND	Power	Ground
38	GND	Power	Ground
39	CSI0_A2_LN2_M	MIPI D-PHY	CSI0 data2 -
40	CSI1_NC_CLK_P	MIPI D-PHY	CSI1 clock +



Pin	Designation	Domain	Notes
41	CSI0_C1_LN2_P	MIPI D-PHY	CSI0 data2 +
42	CSI1_A0_CLK_M	MIPI D-PHY	CSI1 clock -
43	GND	Power	Ground
44	GND	Power	Ground
45	CSI0_C2_LN3_M	MIPI D-PHY	CSI0 data3 -
46	CSI1_A1_LN1_P	MIPI D-PHY	CSI1 data1 +
47	CSI0_B2_LN3_P	MIPI D-PHY	CSI0 data3 +
48	CSI1_B1_LN1_M	MIPI D-PHY	CSI1 data1 -
49	GND	Power	Ground
50	GND	Power	Ground
51	CCI_I2C_SCL0 (GPIO_23)	1.8V MPU	Camera control I ² C SCL0
52	CSI1_B0_LN0_P	MIPI D-PHY	CSI1 data0 +
53	CCI_I2C_SDA0 (GPIO_22)	1.8V MPU	Camera control I ² C SDA0
54	CSI1_C0_LN0_M	MIPI D-PHY	CSI1 data0 -
55	GND	Power	Ground
56	GND	Power	Ground
57	VIN (IN)	Power	7-24 V input
58	+3V3 (OUT)	Power	3.3 V power out
59	VIN (IN)	Power	7-24 V input
60	+3V3 (OUT)	Power	3.3 V power out

Note: MIPI CSI/DSI lanes are D-PHY differential pairs and not general-purpose I/O. Control lines (CCI_I2C_*, SOC_CAM_MCLK*) are 1.8 V MPU domain. VIN on JMEDIA is the raw 7-24 V input (power only).

8.3 Qwiic (A4) (QWIIC1) - Pin Map

Pin	Designation	Net / Function	Domain	Notes
1	GND	Ground	Power	-
2	+3V3 OUT	PWR_3P3V	Power	Supply for Qwiic devices
3	SDA	PD13 (I2C4_SDA)	3.3 V	-
4	SCL	PD12 (I2C4_SCL)	3.3 V	-

8.4 JSPI (A5) (JSPI1) - Pin Map

Pin	Designation	Net / Function	Domain	Notes
1	MISO	PC2 (SPI2_MISO)	3.3 V	-
2	+5V	5V_USB_VBUS	Power	Power only
3	SCK	PD1 (SPI2_SCK)	3.3 V	-
4	MOSI	PC3 (SPI2_MOSI)	3.3 V	-
5	RESET	MCU_NRST	3.3 V	-
6	GND	Ground	Power	-

8.5 JCTL (A1) (JCTL1) - Pin Map

Pin	Designation	Net / Function	Domain	Notes
1	GND	Ground	Power	-
2	USB_BOOT	Boot strap	1.8 V	-
3	VOL_DOWN	GPIO_36	1.8 V	GPIO
4	SOC_SE4_TX	Console UART TX (SE4)	1.8 V	System console
5	VOL_UP	GPIO_96	1.8 V	GPIO
6	SOC_SE4_RX	Console UART RX (SE4)	1.8 V	System console
7	GND	Ground	Power	-
8	PMIC_RESET	PM4125 reset	1.8 V	-
9	+1V8 OUT	VREG_L15A_1P8V	Power	1.8 V reference
10	VBUS_DISABLE	VBUS power switch disable	1.8 V	Controls VBUS path

8.6 JDIGITAL (A2) (JDIGITAL1) - Pin Map

Pin	Designation	MCU pin	Functions	Domain	Notes
1	D0	PB7	- USART1_RX - TIM4_CH2	3.3 V	UART
2	D1	PB6	- USART1_TX - TIM4_CH1	3.3 V	UART
3	D2	PB3	- TIM2_CH2	3.3 V	-
4	~D3	PB0	- OPAMP2_OUTPUT - TIM3_CH3	3.3 V	PWM
5	D4	PA12	- FDCAN1_TX - TIM1_ETR	3.3 V	-
6	~D5	PA11	- FDCAN1_RX - TIM1_CH4	3.3 V	PWM
7	~D6	PB1	- TIM3_CH4	3.3 V	PWM
8	D7	PB2	- TIM8_CH4N	3.3 V	-
9	D8	PB4	- TIM3_CH1	3.3 V	-
10	~D9	PB8	- TIM4_CH3	3.3 V	PWM
11	~D10	PB9	- SPI2_SS (Chip Select) - TIM4_CH4	3.3 V	PWM
12	~D11	PB15	- SPI2_MOSI - TIM1_CH3N	3.3 V	PWM
13	D12	PB14	- SPI2_MISO - TIM1_CH2N	3.3 V	-
14	D13	PB13	- SPI2_SCK - TIM1_CH1N	3.3 V	-
15	GND	-	- Ground	Power	-
16	AREF	-	- Analog reference	-	Analog ref pin (not a GPIO)
17	D20	PB11	- I2C2_SDA - TIM2_CH4	3.3 V	-
18	D21	PB10	- I2C2_SCL - TIM2_CH3	3.3 V	-

All JDIGITAL lines are 3.3 V logic.

8.7 JANALOG (A3) (JANALOG1) - Pin Map

Pin	Designation	Net / MCU pin	Functions	Domain	Notes
1	BOOT	MCU_BOOT0	- Boot strap	3.3 V	-
2	IOREF	PWR_3P3V	- I/O voltage reference (mirrors 3.3 V rail)	Power	Output only; do not back-feed
3	RESET	MCU_NRST	- MCU reset	3.3 V	-
4	+3V3 OUT	PWR_3P3V	- 3.3 V supply	Power	-
5	+5V USB VBUS	5V_USB_VBUS	- 5 V supply (pass-through)	Power	Power only
6	GND	GND	- Ground	Power	-
7	GND	GND	- Ground	Power	-
8	VIN IN	DC_IN	- 7-24 V input	Power	Power only
9	A0 / D14	PA4	- ADC input - DAC0 - TIM2_CH1	Analog / 3.3 V	Direct ADC / not 5 V-tolerant
10	A1 / D15	PA5	- ADC input - DAC1 - TIM3_CH1	Analog / 3.3 V	Direct ADC / not 5 V-tolerant
11	A2 / D16	PA6	- ADC input - OPAMP2_INPUT+ - TIM3_CH2	Analog / 3.3 V	
12	A3 / D17	PA7	- ADC input - OPAMP2_INPUT-	Analog / 3.3 V	-
13	A4 / D18	PC1	- ADC input - I2C3_SDA - LPTIM1_CH1	Analog / 3.3 V	-
14	A5 / D19	PC0	- ADC input - I2C3_SCL - LPTIM1_IN1	Analog / 3.3 V	-

A0 (PA4) and A1 (PA5) are direct STM32U585 ADC inputs referenced to VREF+. They are not 5 V-tolerant. Valid input range is 0 - VREF+ (≈ 3.3 V). The absolute maximum at the pin is $VDD + 0.3$ V, approximately 3.6 V. Above this level, the MCU's internal protection diodes begin to conduct. The header also provides 5V_SYS and PWR_3P3V power pins, which are intended for power supply only. Do not apply 5 V to **A0** or **A1**. IOREF is

connected to the 3.3 V rail (PWR_3P3V) and is provided as a reference/output for shields. It is not to be used to feed power back into the board.

9 High-Speed Peripherals

- **USB-C:** USB 3.1 with Role-Switching Capabilities. DisplayPort Alt-Mode via ANX7625 DSI-to-DP bridge. The connector's SuperSpeed differential pairs are shared between DP Alt-Mode and USB 3.1 data. When DisplayPort Alt-Mode is active, USB data speed is reduced.
- **Camera:** Four-lane **MIPI-CSI-2** (1.8 V I/O).
- **Display:** Four-lane **MIPI-DSI** into **ANX7625** for DisplayPort Alt-Mode on USB-C.
- **Wireless:** Dual-band Wi-Fi® (802.11a/b/g/n/ac) and Bluetooth® 5.1 on a shared module.

10 Device Operation

10.1 Getting Started - Arduino App Lab

Arduino App Lab [1] is a unified editor that builds and runs projects on both processors of the board. A project is an **App** that can include:

- A Python® program that runs on the Linux system (Qualcomm Dragonwing™ QRB2210)
- An Arduino sketch that runs on the microcontroller (MCU) (STM32U585)
- Optional **Brick** (pre-packaged services such as AI models, web servers, or API clients) that are deployed alongside the App (runs on the Linux system as well).

Apps use **Bridge** to exchange data between the Linux side and the microcontroller.

Arduino App Lab can be installed on your PC, or executed directly on the UNO Q in Single-Board Computer mode. For this setup, the UNO Q's 4GB LPDDR4X variant is recommended to ensure sufficient memory for stable operation and resource-intensive applications. To use the board:

- Launch a ready-to-use example in Arduino App Lab, customize it to your needs, or build a new application from scratch using the integrated editor.
- Press the **Run** button in Arduino App Lab [1].
- The editor builds the Linux component, flashes the MCU sketch, deploys any selected Brick, and starts everything on the board.
- Logs for both sides are available in the editor and you can iterate without leaving Arduino App Lab.

For first time setting up:

1. Install Arduino App Lab [1], launch it, and connect UNO Q, use a **USB-C data** cable for PC-hosted mode, or simply power the board for SBC mode.
2. The board will automatically check for updates. If there are any updates available, you will be prompted to install them. Once the update is finished, the Arduino App Lab[1] will need to be restarted.
3. During the first setup, you will be asked to provide a name and password for the device (default is `arduino / arduino`). You will also be asked to provide Wi-Fi® credentials for your local network.
4. To test the board, navigate to an example App in the **"Examples"** section of the Arduino App Lab[1], and click on the "Run" button in the top right corner. You can also create a new App in the **"Apps"** section.
5. The status of the App can be monitored in the console tab of the App.

Note: In **PC-hosted** mode, a *USB data* connection is required for first-time setup. Afterwards you can use the **Network** target over LAN (SSH). In **Single-Board Computer (SBC)** mode, no USB data link is needed for setup, just power the board and use the **Network** target once it joins your network. For peripherals in SBC mode (keyboard, mouse, USB camera, microphone), use a USB-C dongle with external power delivery capabilities. When DisplayPort Alt-Mode is active, USB data speed is reduced.

Use a 5 V / 3 A USB-C source and cable, or power from the 5 V or VIN pins as specified in the input power section (USB-C is 5 V only / VIN is 7-24 V).

First boot typically takes 20-30 seconds while Linux starts. Wait for the boot LED sequence or the LED-matrix animation to finish before interacting with the board.

10.2 Bricks

Bricks are modular building blocks in Arduino App Lab that let you extend your application without writing all of the underlying infrastructure. Each Brick encapsulates ready-made functionality, such as sensor integration, AI models, databases, or user interfaces, that you can drop into a project. Typical Bricks provide:

- An AI model (e.g., object classification or keyword spotting)
- A web UI or REST API service
- An integration to an external data source

Bricks are deployed alongside the App and managed by the Linux side. The typical workflow is:

1. Create an **App** in Arduino App Lab.
2. Select any **Brick** the App should use.
3. Add your Python® code (Linux) and/or your Arduino sketch (MCU).
4. The Brick needs to be imported into your `main.py` file, and initialized following the Brick's API.
5. Press **Run** to deploy the Linux application, flash the MCU, and launch your App together with its Bricks.
6. The **Bridge** tool handles data exchange between Linux and MCU.

While an App is bound and running, USB interfaces may be occupied by the system. Use Arduino App Lab [1] to deploy and monitor. To use external CLI tools over USB, stop the App or disconnect the board.

10.3 Hello World

Let's program UNO Q with the classic Arduino "Hello World" - the *Blink LED* example. This helps verify that the board is correctly connected to Arduino App Lab.

1. Open Arduino App Lab. It starts in the **Examples** section.
2. If you are not using single-board computer mode, **connect UNO Q** to your PC.
3. Open *Blink LED*. Review the example notes to see how the App works.
4. Click **Run** and wait for the upload to complete.

You should now see the red channel of the built-in RGB LED turn on for one second, then off for one second, repeatedly. The LED is driven by the STM32U585 microcontroller through the Arduino sketch.

You can start from a blank App or use an existing example. For first-time use, the Hello World example is recommended to learn the basic structure.

Every time you run an App, the microcontroller sketch is compiled and the Python® application starts on the Linux system. Depending on complexity, this may take up to a minute.

10.4 How to Check the App Is Running

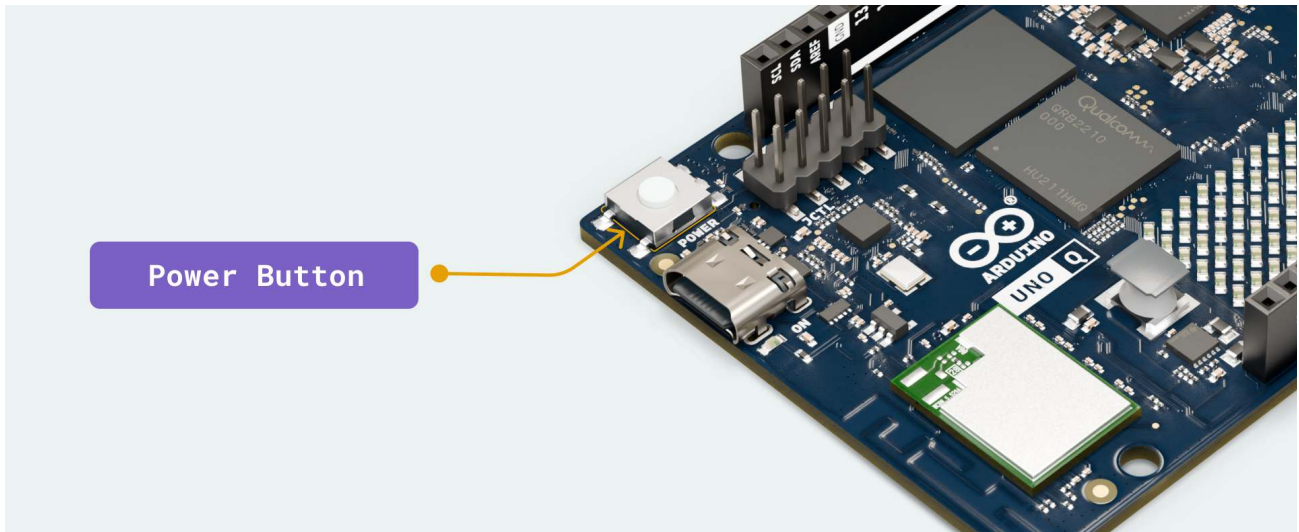
Open the **Console** in App Lab. There are three tabs:

- **Start-up:** logs from the launch sequence, including MCU compilation and Linux deployment
- **Main (Python®):** output from the Python® application (`print()`)
- **Sketch (Microcontroller):** serial output from the Arduino sketch (`Serial.println()`)

An App can launch successfully yet still have runtime issues. Check the Python® log for errors. If a sketch compilation error occurs, launch is aborted.

10.5 Power Button

UNO Q includes a **power button (JBTN1)** you can use to reboot the board.



UNO Q Power Button

Long press (≥ 5 s): reboots the Linux system (MPU). This does not cut power to the board.

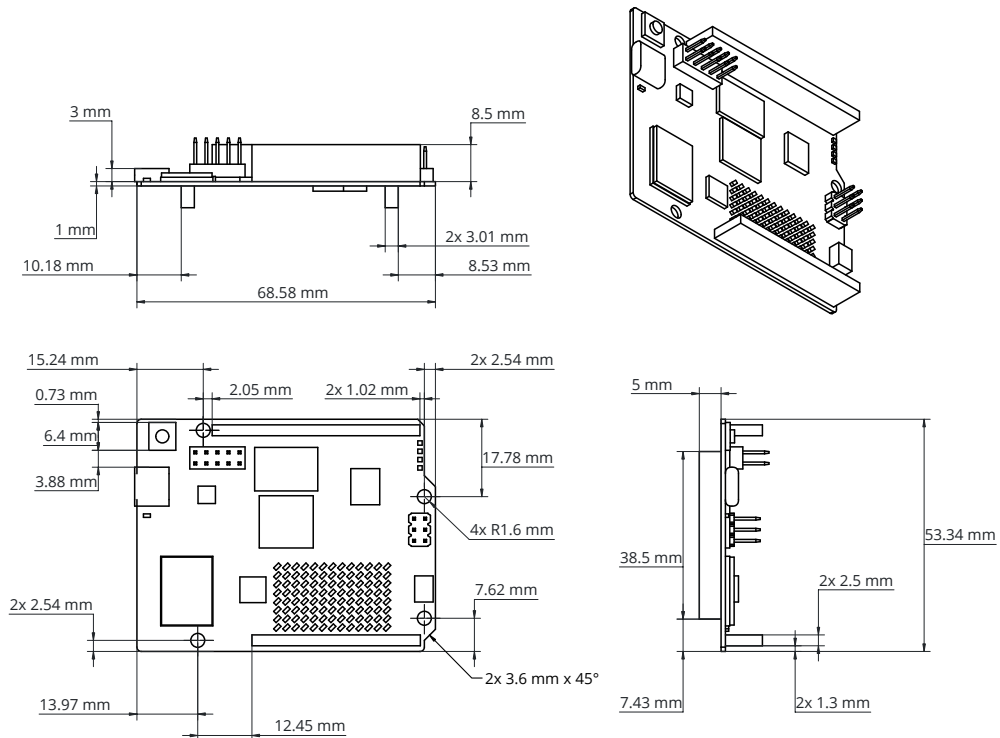
Note: A long-press reboot restarts the Linux environment and may interrupt running Apps. Save work and ensure safe shutdown of external processes where applicable. The board boots up automatically when power is supplied. Pressing the button is not required for normal boot.

10.6 Online Resources

Explore community projects on Project Hub [3], browse the Library Reference [4] for supported APIs, and find accessories such as Qwiic sensors, UNO Shield and carrier boards in the Arduino Store [5].

11 Mechanical Information

The board dimension measures 68.58 mm × 53.34 mm, with bottom-side parts kept below 2 mm so the board can stack onto carrier bases. The outline and hole pattern follows and are compatible with the UNO form factor.



Certifications

12 Declaration of Conformity CE DoC (EU)

English: We declare under our sole responsibility that the products above are in conformity with the essential requirements of the following EU Directives and therefore qualify for free movement within markets comprising the European Union (EU) and European Economic Area (EEA).

French : Nous déclarons sous notre seule responsabilité que les produits indiqués ci-dessus sont conformes aux exigences essentielles des directives de l'Union européenne mentionnées ci-après, et qu'ils remplissent à ce titre les conditions permettant la libre circulation sur les marchés de l'Union européenne (UE) et de l'Espace économique européen (EEE).

13 Declaration of Conformity to EU RoHS & REACH 191 11/26/2018

Arduino boards are in compliance with Directive 2011/65/EU of the European Parliament and Directive 2015/863/EU of the Council of 4 June 2015 on the restriction of the use of certain hazardous substances in electrical and electronic equipment.

Substance	Maximum Limit (ppm)
Lead (Pb)	1000
Cadmium (Cd)	100
Mercury (Hg)	1000
Hexavalent Chromium (Cr6+)	1000
Poly Brominated Biphenyls (PBB)	1000
Poly Brominated Diphenyl ethers (PBDE)	1000
Bis(2-Ethylhexyl) phthalate (DEHP)	1000
Benzyl butyl phthalate (BBP)	1000
Dibutyl phthalate (DBP)	1000
Diisobutyl phthalate (DIBP)	1000

Exemptions: No exemptions are claimed.

Arduino boards are fully compliant with the related requirements of European Union Regulation (EC) 1907 /2006 concerning the Registration, Evaluation, Authorization and Restriction of Chemicals (REACH). We declare none of the SVHCs (<https://echa.europa.eu/web/guest/candidate-list-table>), the Candidate List of Substances of Very High Concern for authorization currently released by ECHA, is present in all products (and also package) in quantities totaling in a concentration equal or above 0.1%. To the best of our knowledge, we also declare that our products do not contain any of the substances listed on the "Authorization List" (Annex XIV of the REACH regulations) and Substances of Very High Concern (SVHC) in any significant amounts as specified by the Annex XVII of Candidate list published by ECHA (European Chemical Agency) 1907 /2006/EC.

14 Conflict Minerals Declaration

As a global supplier of electronic and electrical components, Arduino is aware of our obligations with regards to laws and regulations regarding Conflict Minerals, specifically the Dodd-Frank Wall Street Reform and Consumer Protection Act, Section 1502. Arduino does not directly source or process conflict minerals such as Tin, Tantalum, Tungsten, or Gold. Conflict minerals are contained in our products in the form of solder, or as a component in metal alloys. As part of our reasonable due diligence Arduino has contacted component suppliers within our supply chain to verify their continued compliance with the regulations. Based on the information received thus far we declare that our products contain Conflict Minerals sourced from conflict-free areas.

15 FCC Caution

Any Changes or modifications not expressly approved by the party responsible for compliance could void the user's authority to operate the equipment.

This device complies with part 15 of the FCC Rules. Operation is subject to the following two conditions:

- (1) This device may not cause harmful interference
- (2) this device must accept any interference received, including interference that may cause undesired operation.

FCC RF Radiation Exposure Statement:

1. This Transmitter must not be co-located or operating in conjunction with any other antenna or transmitter.
2. This equipment complies with RF radiation exposure limits set forth for an uncontrolled environment.
3. This equipment should be installed and operated with a minimum distance of 20 cm between the radiator & your body.

English:

User manuals for licence-exempt radio apparatus shall contain the following or equivalent notice in a conspicuous location in the user manual or alternatively on the device or both. This device complies with Industry Canada licence-exempt RSS standard(s). Operation is subject to the following two conditions:

- (1) this device may not cause interference
- (2) this device must accept any interference, including interference that may cause undesired operation of the device.

French:

Le présent appareil est conforme aux CNR d'Industrie Canada applicables aux appareils radio exempts de licence. L'exploitation est autorisée aux deux conditions suivantes:

- (1) l'appareil ne doit pas produire de brouillage
- (2) l'utilisateur de l'appareil doit accepter tout brouillage radioélectrique subi, même si le brouillage est susceptible d'en compromettre le fonctionnement.

IC SAR Warning:



English This equipment should be installed and operated with a minimum distance of 20 cm between the radiator and your body.

French: Lors de l'installation et de l'exploitation de ce dispositif, la distance entre le radiateur et le corps est d'au moins 20 cm.

Important: The operating temperature of the EUT can't exceed 85°C and shouldn't be lower than -40°C.

Hereby, Arduino S.r.l. declares that this product is in compliance with essential requirements and other relevant provisions of Directive 201453/EU. This product is allowed to be used in all EU member states.

Frequency bands	Maximum output power (ERP)
2.4 GHz, 40 channels	TBD

Company Information

Company name	Arduino S.r.l.
Address	Via Andrea Appiani 25, 20900 Monza (Italy)

Documentation Reference

No.	Reference	Link
1	Arduino App Lab	https://www.arduino.cc/en/software
2	Arduino UNO Q Documentation	https://docs.arduino.cc/hardware/uno-q/
3	Project Hub	https://projecthub.arduino.cc/
4	Library Reference	https://docs.arduino.cc/libraries/
5	Arduino Store	https://store.arduino.cc/

Document Revision History

Date	Revision	Changes
27/10/2025	2	Mechanical drawing and RTC power detail update
01/10/2025	1	First release