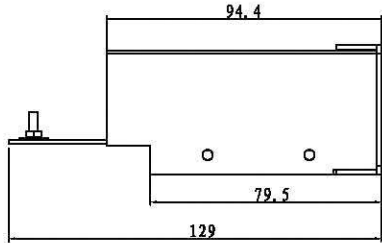
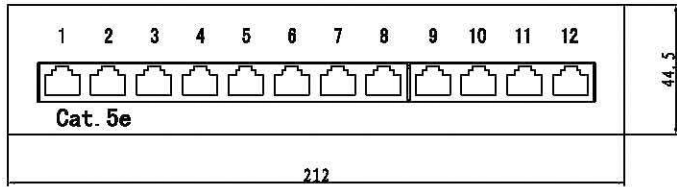
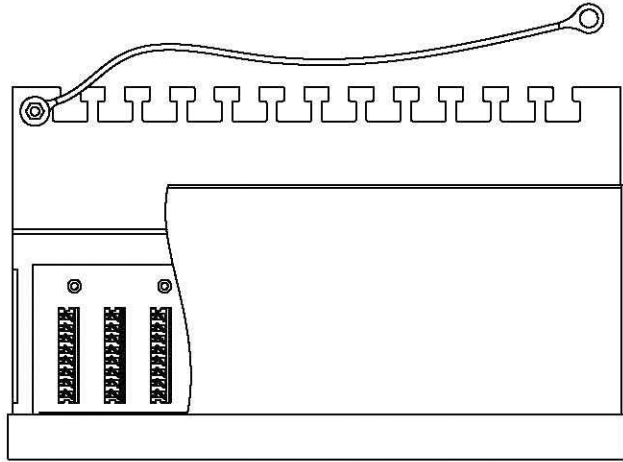


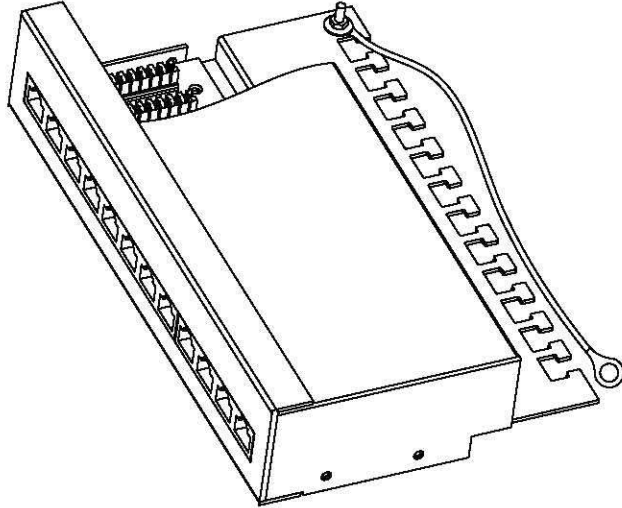
ITEM NO.	COLOR
723197	GREY
723198	BLACK



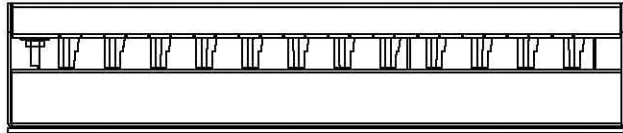
Specification:
Material:
 1. Metal frame: SPCC.
 2. Plastic Housing :ABS
 3. RJ45 contact material & finished:
 3-1. Phosphor Bronze with Nickel plated.
 3-2. Contact area : Gold plated.



4. IDC Housing: PC
 5. IDC Terminal material & finished:
 5-1. Phosphor Bronze with Tin plated.
 5-2. Krone tool compatible.
 5-3. Suitable for 22-26 AWG stranded and solid wire.



Performance:
 a. The sticker color codes combine two wirings of T568A & T568B.
 b. Insertion Force: 900 gms for 8 contacts.
 c. Retention Strength: 7.7 kgs between Jack and Plug.
 d. Operation Temperature: -30, to 60, .



e. Durability:
 e-1. Jack : 750 cycles Plug-Jack mating and unmating test, Insertion cycles at 20 cycles/minute max. Contact resistance test per 100 cycles.
 e-2. IDC : Max. 200 punching times.
 f. The Cat.5e performance is in compliance with the ANSI/TIA/EIA 568 C.2 standard.

				Tolerance: X. ±0.5 .X ±0.3 .XX ±0.10		SCALE: FREE		CUSTOMER:				Approved by			
				Angle: X° ±3° .X° ±1°		UNIT: mm		REV.: 00		CUSTOMER P/N:		COMPANY P/N:		Checked by	
REV.		DESCRIPTION		DATE		SHEET		1/1		DWG. No.:		TITLE: 12 PORT PANTCH PANEL (CAT5e)		Design by XJH	