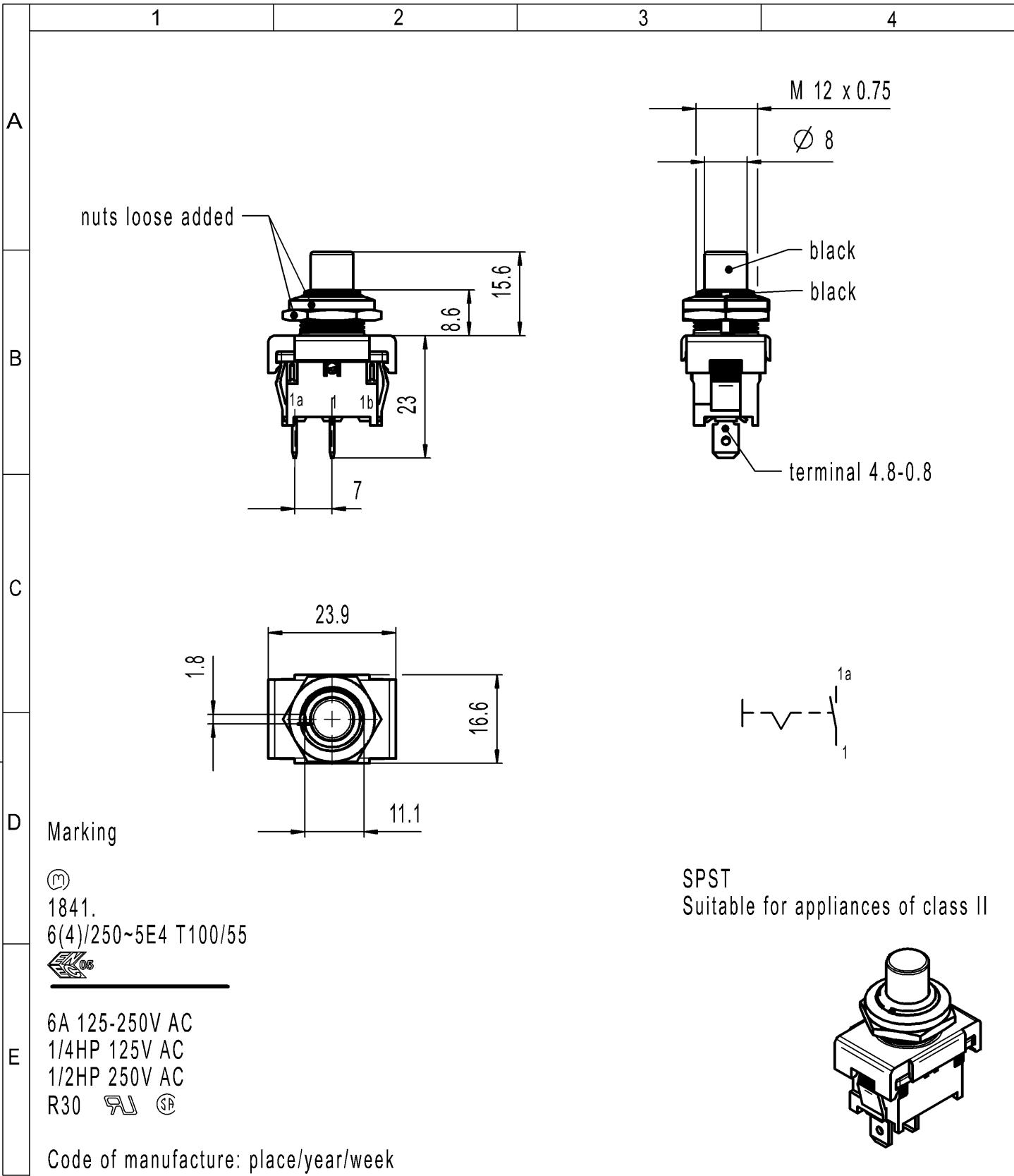


CONFIDENTIAL

VERTRAULICH

Alle Rechte bei Marquardt, auch fuer den Fall von Schutzrechtsanmeldungen. Jede Veruegungsbefugnis, wie Kopier- und Weitergaberecht, bei uns.

THIS DRAWING IS THE EXCLUSIVE PROPERTY OF MARQUARDT. WITHOUT THEIR CONSENT IT MAY NOT BE REPRODUCED OR GIVEN TO THIRD PARTIES.



Code of manufacture: place/year/week

-		-		-		1841.1101-XX				
Figure		Type		Customer No.		Art.No.-PI				
General tolerances				Sheet 01			Ident. K	Document number 18411101	Index e	
All dimensions are in millimetres	Shape and location	Angle	Edge tolerance	Length	Radii	Format DIN A4	Projection	Scale 1:1	Appliance Switch	
				0-6	± 0.2					±
				>6-15	± 0.4					±
				>15-30	± 0.4					±
				>30-70	±					±
>70-120	±	±								
>120	±	±								
e	131663	2020-09-08	PANDHAREA			System NX V11.0				
d	64533	2010-04-13	MUT			Replacement of				
c	56042	2008-01-16	VOR			Zg.gl.Nr.v.08.11.2000				
b	29875	2000-06-19	BMI			MARQUARDT				
Index	MEC-No.	Date (YYYY-MM-DD)	Edited by							