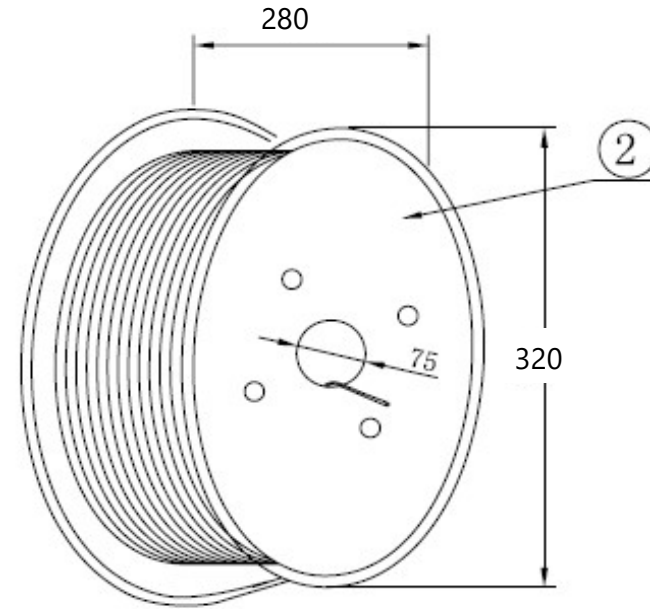
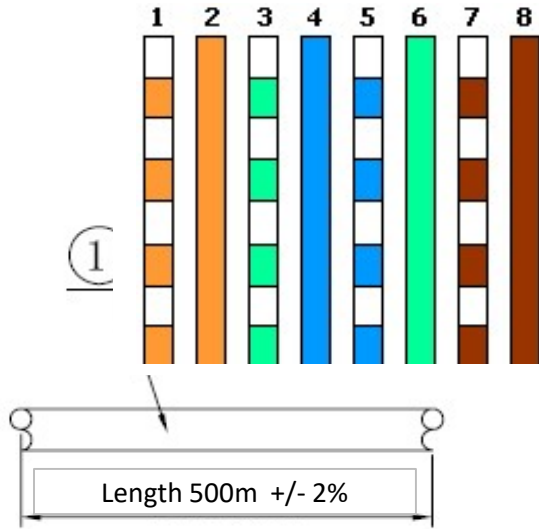


	REVISED	DR	APP

Colour Code of Innerconductors (F-PE Isolation)



Wooden Drum

3	Imprint	Systemcable SF/UTP CAT5e 100 Mhz
2	Jacket	OD = 5,6 mm - PVC - Grey
1	Cable	Overall Shielding Alu Foil 0,025 Single - Braiding 80x0,12mm Aluminium - AWG24 / 1 CCA
NO	PARTS	DESCRIPTION

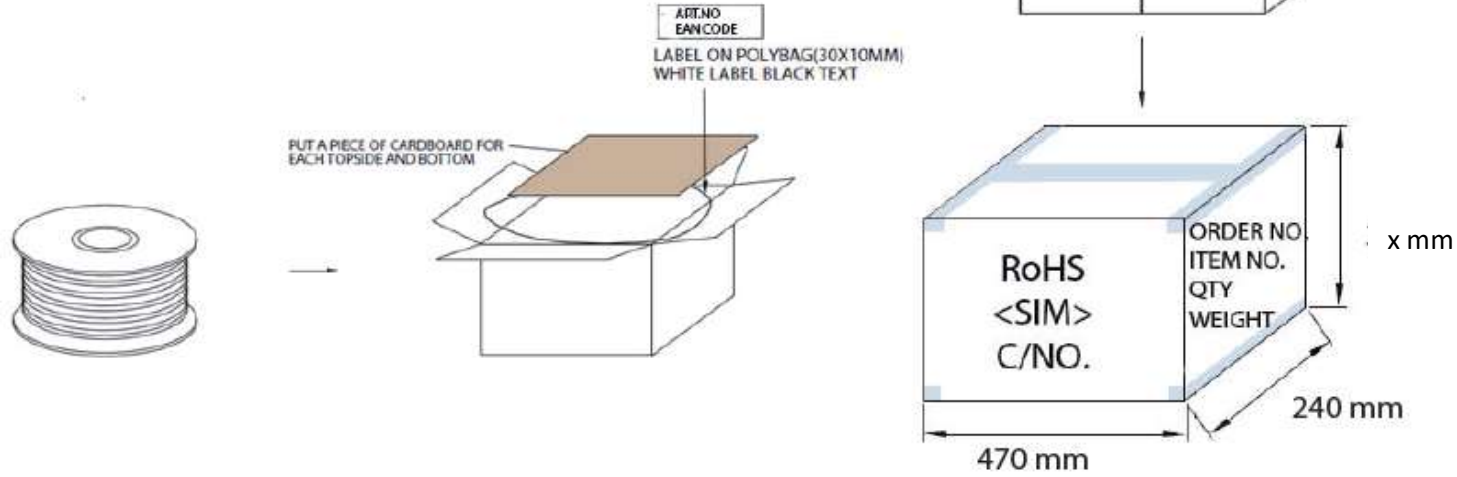


DESCRIPTION		SF/UTP CAT 5 100MHz Systemcable ---AWG 24					
SIZE	A4	DATE	14.03.2012	CHECKED		TOL	
UNIT	MM	DRAWN	C.Motzek	APPROVED			75205-500S
SCALE	ENTS						

REVISED	DR	APP
---------	----	-----

1pcs in 1 Carton with Innercartons -  
Cable is on Wooden Drum with Metal  
- Innercircle

ORDER NO.  
ITEM NO.  
QTY  
WEIGHT



Only use strong Cartons with printed letters  
Handwritten not allowed !!!

DESCRIPTION		SF/UTP CAT 5 100MHz Systemcable ---AWG 24				
SIZE	A4	DATE	14.03.2012	CHECKED		TOL
UNIT	MM	DRAWN	C.Motzek	APPROVED		
SCALE	NTS					
						<b>75205-500S</b>