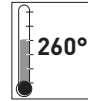


# Subminiature Pushbutton Switches for SMT



## Specifications:

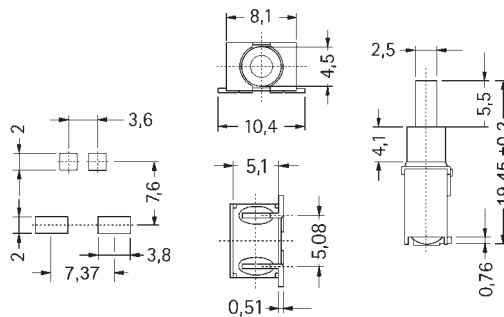
Contact rating:	24 V AC/DC, 0,4 VA
Contact resistance:	< 20 mΩ
Insulation resistance:	> 1000 MΩ
Dielectric strength:	1000 V RMS at sea level
Operating temperature:	- 30° to + 85° C
Electrical life:	50 000 operations at full load
Operating force:	500 gf ± 50 gf
Contacts:	copper alloy, with gold plate over nickel plate
Terminals:	copper alloy, with tin plate over nickel plate
Material:	case and bushing: glass filled nylon 6/6 (UL 94 V-0) washable actuator: brass, chrome-plated switch-support: brass, tin-plated
Mounting:	on pc-board – SMD
Travel:	0,8 mm

3

washable

**Model:** Switching function

SSP 1 CT-R off - mom



**Packaging:**  
500 pcs/reel

