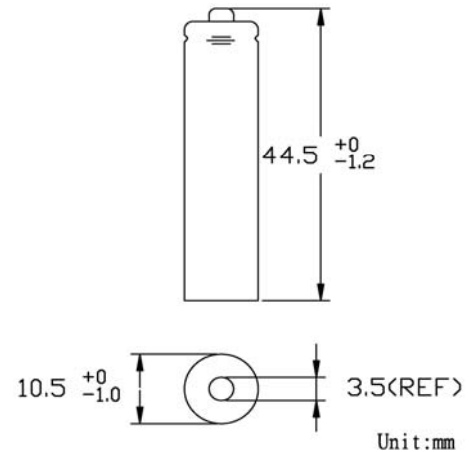
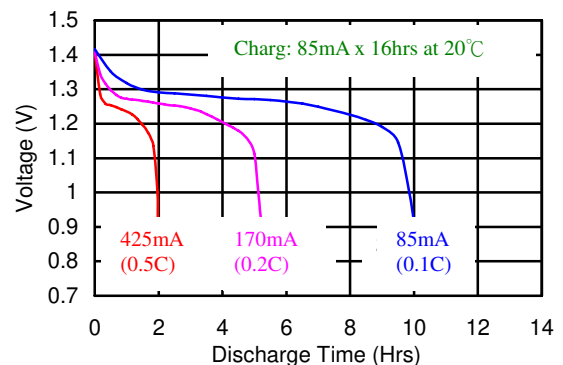


|  |  |
|--|--|
| <b>Type</b>                            | : Rechargeable Nickel Metal Hydride Cylindrical Cell   |
| <b>Nominal Dimension (with Sleeve)</b> | : $\Phi = 10.5\text{mm}$<br>H = 44.5mm   |
| <b>Applications</b>                    | : Recommended discharge current<br>85 to 2550mA  |
| <b>Nominal Voltage</b>                 | : 1.2V   |
| <b>Capacity</b>                        | : Nominal: 850mAh<br>Minimum: 850mAh<br>Typical: 860mAh<br>When discharged at 170mA to 1.0V at 20°C  |
| <b>Charge Retention</b>                | : 70% of nominal capacity after cell storage at 20°C for 6 months<br>When discharged at 170mA to 1.0V at 20°C  |
| <b>Charging Condition</b>              | : 85mA for 16 hrs at 20°C  |
| <b>Fast Charge</b>                     | : 425mA to 850mA (0.5 to 1C)<br>charge termination control recommended<br>control parameters:<br>- $\Delta V$ : 0-5mV<br>DT/dt : 0.8°C/min (0.5 to 0.9C)<br>0.8 - 1°C/min (1C)<br>TCO : 45 - 50°C<br>Timer : 105% nominal input<br>(for ref. only) |
| <b>Service Life</b>                    | : >500 cycles (IEC standard)   |
| <b>Continuous Overcharge</b>           | : 85mA maximum current for 1 year.<br>No conspicuous deformation and/or leakage  |
| <b>Weight</b>                          | : 14.5g  |
| <b>Internal Resistance</b>             | : Average 40m $\Omega$ upon fully charged<br>(Range 20 – 60m $\Omega$ ) at 1000Hz  |
| <b>Max. Charging Voltage</b>           | : 1.5V at 85mA charging  |
| <b>Ambient Temperature Range</b>       | : Standard Charge : 0 to 45°C<br>Fast Charging : 10 to 45°C<br>Discharge : -20 to 50°C<br>Storage : -20 to 30°C  |

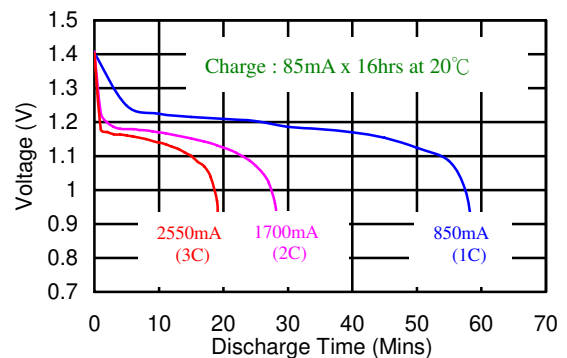
Model No.: **GP85AAAHC**



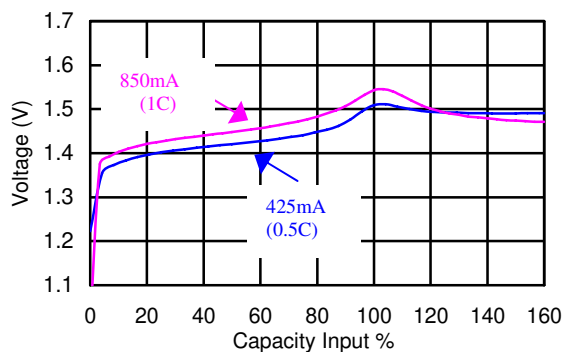
### Low Rate Discharge



### High Rate Discharge



### Fast Charge (Charge Control Required)



The information (subject to change without prior notice) contained in this document is for reference only and should not be used as a basis for product guarantee or warranty. For applications other than those described here, please consult your nearest GP Sales and Marketing Office or Distributors.

TRS0340 Rev.14