

**EMERIO®**

**AF-112828**



**Smart Fryer**

**(EN)**

**(DE)**

**(FR)**

**(SE)**

**(NL)**

**(PL)**

**CE**

# Content – Inhalt – Teneur - Innehåll – Inhoud – Treść

Instruction manual – English .....	- 2 -
Bedienungsanleitung – German .....	- 9 -
Mode d'emploi – French .....	- 16 -
Bruksanvisning – Swedish.....	- 23 -
Gebruiksaanwijzing – Dutch .....	- 30 -
Instrukcja obsługi – Polish .....	- 37 -

## **IMPORTANT SAFEGUARD INSTRUCTIONS**

When using electrical appliances, basic safety precautions should always be followed:

Read all instructions.

1. This appliance can be used by children aged from 8 years and above and persons with reduced physical, sensory or mental capabilities or lack of experience and knowledge if they have been given supervision or instruction concerning use of the appliance in a safe way and understand the hazards involved.
2. Children shall not play with the appliance.
3. Cleaning and user maintenance shall not be made by children unless they are older than 8 and supervised.
4. Keep the appliance and its cord out of reach of children less than 8 years.
5. If the supply cord is damaged, it must be replaced by the manufacturer, its service agent or similarly qualified persons in order to avoid a hazard.
6. This appliance is intended to be used in household and similar applications such as: staff kitchen areas in shops, offices and other working environments; farm houses; by clients in hotels, motels and other residential type environments; bed and breakfast type environments.
7. In case of damage, caused through not paying attention to this instruction manual, the warranty expires at once. The manufacturer/importer does not accept any liability for damage caused as a result of ignorance of the user manual, careless usage or the usage against the instructions in this manual.
8. This product can only be used according to its rated information printed on the rating label.
9. This product is for indoor use only! It is not suitable for outdoor use.
10. Please prevent the product to be exposed to excessive dirt and humidity.

11. Any other way of operating the product, except the described one, will lead to dangers such as short circuit, fire or else. It is not allowed to modify this product in any way and the housing has not to be opened, otherwise the product will not be any longer in compliance with its safety class.
12. Never connect or disconnect the plug with wet hands.
13. Never unplug the plug by pulling the power supply cord. Always pull the plug itself.
14. During installation/cleaning, please pay attention that the power supply cord will not be squeezed or damaged.
15. Always disconnect the appliance from the mains and allow the product to cool down to room temperature: before storing away the appliance; before cleaning or maintenance; after use; if you are not going to use it for a long period of time.
16. Clean the product itself with a slightly damp cloth.
17. Never replace a damaged power supply cord by yourself. In such case, or in case of malfunction, contact an authorized electrician/service centre for examination, repair or adjustment because special tools are required.
18. Make sure that the power supply cord does not come into contact with any parts, which generate excessive heat.
19. If you assume that the operating of the product without danger is not any longer possible please make sure that the product will be disconnected and not used any longer. The safe operating of this product is not any longer possible, if: the product or the power supply cord is damaged in any way; the product does not work any longer; after a longer storage under unfavourable conditions; after heavy damage through transportation.
20. Never immerse the plug or the appliance in water or other liquid.
21. Never place the appliance directly into corners and under flammable materials such as curtains, cupboards etc.
22. Never leave the appliance unattended during use.

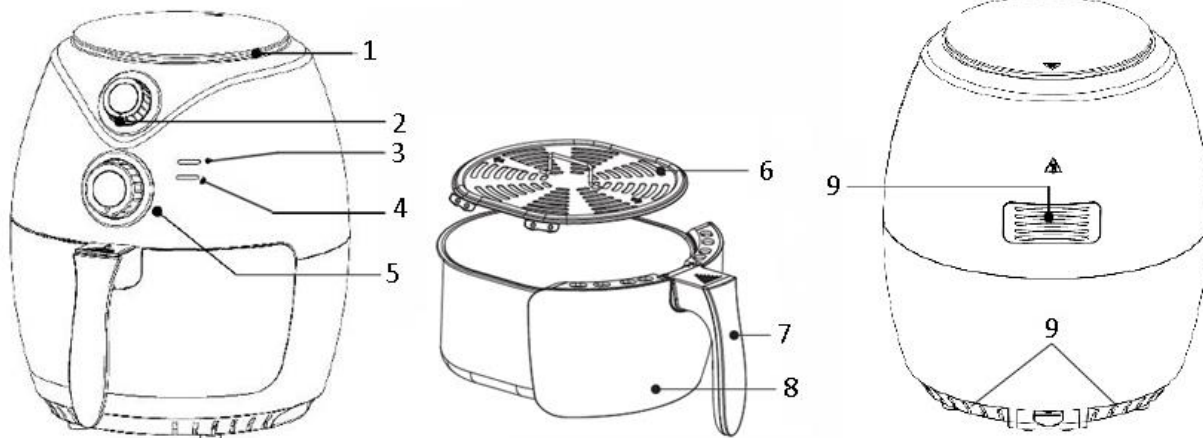
23. The machine should not be operated by means of an external timer-switch or by means of a separate system with remote control.
24. This appliance is not designed for commercial use.
25. WARNING!!



Please do not touch surface while in use. The temperature of accessible surfaces may be high when the appliance is operating.

26. Regarding the instructions for cleaning the surfaces which come in contact with food or oil, please refer to the paragraph “cleaning and maintenance” of the manual.

## PARTS DESCRIPTION



- |                             |                  |
|-----------------------------|------------------|
| 1. Air inlet                | 6. Frying grill  |
| 2. Temperature control knob | 7. Basket handle |
| 3. Heating light            | 8. Basket        |
| 4. Power light              | 9. Air outlet    |
| 5. Timer knob               |                  |

## BEFORE USE

First read all instructions before use and retain for later reference. Only plug this appliance into an earthed socket. Before first use, remove the packing materials. Clean the basket and frying grill. (See “cleaning and maintenance”) Wipe inside and outside of the appliance with a soft cloth. Make sure that the electrical parts remain dry. **This appliance heats food at all directions and most of the ingredients do not need any oil.**

**Note:** Always use the frying grill with the silicone cases covered. They will help to stabilize the frying grill in the basket during cooking.

## USE

- Place the appliance on a dry, stable surface.
- Since the appliance becomes hot during use, make sure that it is not too close to other objects.
- Pull out the basket from the appliance by the basket handle. Put the frying grill into the basket.
- Place the ingredients into the basket. Slide the basket into the appliance. Make sure they are placed correctly and closed completely. Otherwise the appliance will not work. Caution: Do not touch the basket during use or after use in short time as it gets very hot. Only hold the basket by the handle.
- Connect the power plug to a suitable outlet.
- Set the temperature control knob to the required temperature setting, which is suitable for what you are frying. Consult the temperature table.
- Turn the timer knob to choose the appropriate frying time. The appliance is switched on and both of the power and heating lights illuminate.
- During the hot air frying process, the heating light comes on and goes out from time to time. This indicates that the heating element is switched on and off to maintain the set temperature.
- When the cooking is finished, you will hear the timer bell rings. You can also switch off the appliance manually by turning the timer knob to “0”.
- Pull out the basket from the appliance by the basket handle. Check if the ingredients are ready. If not, simply slide the basket back into the appliance and set the timer to a few extra minutes.  
Note: The basket and the ingredients are hot after frying. Depending on the type of the ingredients in the appliance steam may escape from the pan.
- To remove ingredients (e.g. beef, chicken, meat) with original oil and will have excess oil collected on the bottom of the basket during frying, please use tongs to pick ingredients one by one.,

To remove ingredients (e.g. chips, vegetable) with no excess oil collected on the bottom of the basket during frying, please turn off the basket, and pour ingredients to tableware.

- After the cooking is done, the appliance is instantly ready for preparing another batch of ingredients if needed.

#### FRYING TIPS

- The optimal amount for crispy fries is 600 grams.
- Add 3 more minutes to the preparation time when the appliance is cold, or you can also let the appliance preheat approx. 4 minutes without any ingredients inside.
- Some ingredients require shaking halfway through the preparation time. To shake or turn over the ingredients, pull the basket out of the appliance by the handle and shake it or turn over the ingredients by fork (or tongs). Then slide the basket back into the appliance.
- You can also use the fryer to reheat ingredients. To reheat ingredients, set the temperature to 150°C for up to 10 minutes.
- Products with crust of dry breadcrumbs will get crispier by spraying them with a little vegetable oil.
- Place a baking tin or an oven dish in the appliance if you want to bake a cake or quiche or other fragile ingredients.
- Do not prepare extremely greasy ingredients such as sausages in the appliance.

#### CAUTION:

- Do not immerse the housing in water or rinse it under the tap.
- Avoid any liquid entering the appliance to prevent from electric shock or short circuit.
- Keep all ingredients in the basket to prevent any contact with heating elements.
- Do not cover the air inlet and the outlet when the appliance is working. Leave at least 10cm free space around and above the appliance.
- Filling the oil catch pan with oil may cause a fire hazard!
- Do not touch the inside of the appliance when it is in operation.
- Be careful of the hot steam and air when you remove the basket from the appliance.
- During operation, hot steam is released through the air outlet. Keep your hands and face at a safe distance from the steam and the air outlet.
- Immediately turn off and unplug the appliance if you see any dark smoke coming out of the appliance, which means the food is overcooked or the appliance broke down.

#### FRYING TABLE

This table shows the food product quantities and required temperature and frying times. If the instructions on the product pack should deviate from the values shown in this table, the instructions on the pack should be followed.

Food	Min-max Amount (g)	Time (mins)	Temp (°C)	Notes
Thin frozen chips	300-750	12-16	200	Turn over if needed
Thick frozen chips	300-750	12-20	200	Turn over if needed
Home-made potato chips	300-750	18-22	180	Add 1/2 tbsp of oil, shake
Beefsteak	100-600	8-12	180	Turn over if needed
Chicken chops	100-500	10-14	180	Turn over if needed
Hamburger	100-600	7-14	180	Add 1/2 tbsp of oil, shake
Sausage rolls	100-800	13-15	200	Add 1/2 tbsp of oil, shake
Chicken drumstick	100-700	18-22	180	Add 1/2 tbsp of oil, shake
Chicken breast	100-700	10-15	180	Turn over if needed
Spring roll	100-800	8-10	200	Turn over if needed
Vegetable	100-800	10	180	

**CLEANING AND MAINTENANCE**

1. Before handling or cleaning the appliance, let it cool down for approximately 30 minutes. Clean the appliance on all the inside and outside regularly.
2. Clean the outside and inside of the appliance with a damp cloth and dry with a soft, clean cloth.
3. Never use abrasive cleaners or sponges.
4. Remove the basket to let the appliance cool down more quickly. Clean the basket and frying grill in hot water with a washing liquid and a non-abrasive sponge. Dry well before use.
5. Clean the heating element inside of the housing (You can see it after pull out the basket) with a cleaning brush to remove any food residues.

Note: The basket and frying grill are dishwasher safe.

**TROUBLE SHOOTING**

<b>Problem</b>	<b>Possible cause</b>	<b>Solution</b>
<b>The appliance does not work.</b>	The appliance is not plugged in.	Put the mains plug in an earthed wall socket.
	You have not set the timer.	Turn the timer knob to the required preparation time to switch on the appliance.
<b>The ingredients are not fried completely.</b>	The amount of the food in the basket is over.	Put smaller batches of ingredients in the basket. Smaller batches are fired more evenly.
	The temperature is too low.	Turn the temperature control knob to the required temperature.
<b>The ingredients are fried unevenly.</b>	Different types of food may need to be shaken halfway.	Shake food halfway.
<b>Basket cannot be slid into the housing properly.</b>	Too much food in the basket.	Put less amount of food in the basket.
<b>White smoke comes out from the appliance.</b>	You are preparing greasy ingredients.	When you fry greasy ingredients, oil will leak into the basket. The oil produces white smoke and the basket may heat up. This does not affect the cooking result or hurt the appliance.
	The basket still contains grease residues from previous use.	Clean the basket properly after each use.

**TECHNICAL DATA**

Operating voltage: 220-240V~ 50-60Hz

Power: 1400W

**GUARANTEE AND CUSTOMER SERVICE**

Before delivery our devices are subjected to rigorous quality control. If, despite all care, damage has occurred during production or transportation, please return the device to your dealer. In addition to statutory legal rights, the purchaser has an option to claim under the terms of the following guarantee:

For the purchased device we provide 2 years guarantee, commencing from the day of sale. If you have a defective product, you can directly go back to the point of purchase.



Defects which arise due to improper handling of the device and malfunctions due to interventions and repairs by third parties or the fitting of non-original parts are not covered by this guarantee. Always keep your receipt, without the receipt you can't claim any form of warranty. Damage caused by not following the instruction manual, will lead to a void of warranty, if this results in consequential damages then we will not be liable. Neither can we hold responsible for material damage or personal injury caused by improper use if the instruction manual is not properly executed. Damage to accessories does not mean free replacement of the whole appliance. In such case please contact our service department. Broken glass or breakage of plastic parts is always subject to a charge. Defects to consumables or parts subjected to wearing, as well as cleaning, maintenance or the replacement of said parts are not covered by the warranty and are to be paid.

#### **ENVIRONMENT FRIENDLY DISPOSAL**



Recycling – European Directive 2012/19/EU

This marking indicates that this product should not be disposed with other household wastes. To prevent possible harm to the environment or human health from uncontrolled waste disposal, recycle it responsibly to promote the sustainable reuse of material resources. To return your used

device, please use the return and collection systems or contact the retailer where the product was purchased. They can take this product for environmental safe recycling.

Emerio Holland B.V.  
Zomervaart 1A  
2033 DA Haarlem  
The Netherlands

#### **Customer service:**

T: +31(0)23 3034369

E: [info.nl@emerio.eu](mailto:info.nl@emerio.eu)

## **WICHTIGE SICHERHEITSANWEISUNGEN**

Beim Einsatz von elektrischen Geräten müssen grundlegende Sicherheitsvorkehrungen immer berücksichtigt werden:

Lesen Sie bitte alle Anweisungen.

1. Dieses Gerät kann von Kindern ab 8 Jahren und von Personen mit eingeschränkten physischen, sensorischen oder geistigen Fähigkeiten oder ohne Erfahrung und/oder Wissen benutzt werden, wenn diese durch eine für ihre Sicherheit zuständige Person beaufsichtigt werden oder von ihr Anweisungen erhielten, wie das Gerät sicher zu benutzen ist und sie auf die Risiken aufmerksam gemacht wurden.
2. Dieses Gerät ist kein Spielzeug.
3. Reinigungs- und Instandhaltungsmaßnahmen sollten nicht von Kindern unter 8 Jahren und nicht ohne Aufsicht durchgeführt werden.
4. Bewahren Sie das Gerät und sein Netzkabel außerhalb des Zugriffs von Kindern unter 8 Jahren auf.
5. Wenn das Netzkabel beschädigt ist, muss es durch den Hersteller oder seinen Kundendienst oder durch einen qualifizierten Techniker ersetzt werden, um Gefahren zu vermeiden.
6. Dieses Gerät ist für die Verwendung im Haushalt oder für ähnliche Anwendungen vorgesehen, wie: in Personalküchen von Geschäften, Büros und anderen Arbeitsumgebungen; auf Bauernhöfen; von Kunden in Hotels, Motels und in anderen Unterkünften; in Unterkünften mit Halbpension.
7. Bei Beschädigungen, die aus einer Missachtung dieser Bedienungsanleitung resultieren, erlischt umgehend die Garantie. Der Hersteller/Importeur übernimmt keine Haftung für Schäden auf Grund von Nichtbeachtung der Bedienungsanleitung, unvorsichtigem Gebrauch des Geräts bzw. Gebrauch entgegen den in dieser Anleitung gegebenen Anweisungen.

8. Dieses Produkt darf ausschließlich in Übereinstimmung mit den auf dem Typenschild angegebenen Daten betrieben werden.
9. Dieses Produkt ist ausschließlich für den Gebrauch im Innenbereich vorgesehen! Es darf im Außenbereich nicht eingesetzt werden.
10. Schützen Sie dieses Gerät bitte vor übermäßiger Schmutz- bzw. Feuchtigkeitseinwirkung.
11. Jeder Einsatz des Geräts, der nicht den hier beschriebenen Vorgehensweisen entspricht, birgt Gefahren, wie beispielsweise Kurzschlüsse, Brände o. ä. Jegliche Veränderungen an diesem Gerät sind unzulässig und das Gehäuse darf nicht geöffnet werden, da das Gerät sonst die Anforderungen seiner Schutzklasse nicht mehr erfüllt.
12. Niemals den Netzstecker mit nassen Händen ein- bzw. ausstecken!
13. Niemals den Netzstecker an der Zuleitung aus der Steckdose ziehen! Ziehen Sie grundsätzlich nur direkt am Stecker!
14. Während der Einrichtung/Reinigung des Geräts bitte darauf achten, dass die Netzzuleitung nicht gequetscht bzw. beschädigt wird.
15. Trennen Sie das Gerät in folgenden Situationen immer von der Netzversorgung und lassen Sie es auf Raumtemperatur abkühlen: Bevor Sie das Gerät wegräumen; Vor der Reinigung bzw. Wartung; Nach dem Gebrauch; Falls das Gerät für längere Zeit nicht benutzt wird.
16. Reinigen Sie das Gerät mit einem leicht feuchten Tuch.
17. Wechseln Sie eine beschädigte Netzzuleitung niemals selber aus. Nehmen Sie in einem solchen Fall bzw. bei Fehlfunktionen des Geräts bitte Kontakt zu einer autorisierten Elektrofachkraft bzw. einem entsprechenden Kundendienst auf. Die erforderlichen Überprüfungs-, Reparatur- bzw. Einstellarbeiten können nur hier

vorgenommen werden, da Spezialwerkzeuge benötigt werden.

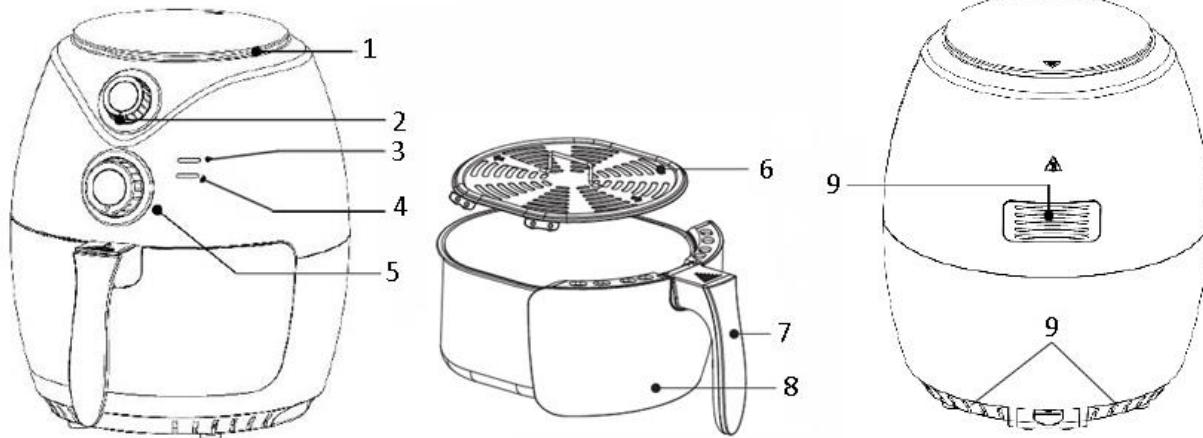
18. Stellen Sie sicher, dass die Netzzuleitung nicht mit Teilen in Berührung kommt, die sich stark erhitzen.
19. Wenn Sie der Ansicht sind, dass das Gerät nicht mehr gefahrlos betrieben werden kann, sorgen Sie bitte dafür, dass es von der Netzspannung getrennt und nicht weiter verwendet wird. Der sichere Betrieb des Geräts ist nicht mehr gewährleistet, falls: Das Gerät bzw. die Netzzuleitung in irgendeiner Weise beschädigt ist; Das Gerät keine Funktion mehr hat; Das Gerät über längere Zeit unter ungünstigen Bedingungen gelagert wurde; Das Gerät stark transportbeschädigt ist.
20. Tauchen Sie den Netzstecker bzw. das Gerät niemals in Wasser bzw. sonstige Flüssigkeiten ein!
21. Stellen Sie die Gerät niemals unmittelbar in Ecken und unter brennbare Materialien wie beispielsweise Vorhänge, Regale etc.
22. Lassen Sie das Gerät niemals beim Betrieb unbeaufsichtigt.
23. Das Gerät darf nicht mit Hilfe einer externen Zeitschaltuhr oder eines separaten Systems mit Fernbedienung eingeschaltet werden.
24. Dieses Gerät wurde nicht für den gewerblichen Gebrauch entworfen.
25. **WARNHINWEIS!!**



Berühren Sie die Koplatten nicht während des Betriebs, sie werden sehr heiß. Während des Gerätebetriebs kann die Temperatur der zugänglichen Oberflächen sehr hoch werden.

26. In Bezug auf die Anweisungen zur Reinigung der Oberflächen, die mit Lebensmitteln oder Öl in Berührung kommen entnehmen Sie bitte dem Abschnitt "Reinigung und Instandhaltung" des Handbuchs.

## BESCHREIBUNG



- |                         |                         |
|-------------------------|-------------------------|
| 1. Lufteintrittsöffnung | 6. Bratrost             |
| 2. Temperaturregler     | 7. Frittierkorbgriff    |
| 3. Temperaturanzeige    | 8. Frittierkorb         |
| 4. Betriebsanzeige      | 9. Luftaustrittsöffnung |
| 5. Timerknopf           |                         |

## VOR DEM GEBRAUCH

Lesen Sie vor Gebrauch zuerst alle Anweisungen durch und bewahren Sie diese für späteres Nachschlagen auf. Schließen Sie dieses Gerät ausschließlich an eine geerdete Steckdose an. Entfernen Sie vor der Erstinutzung das Verpackungsmaterial. Frittierkorb und Bratrost reinigen. (siehe "Reinigung und Instandhaltung"). Reinigen Sie das Gerät innen und außen mit einem weichen Tuch. Achten Sie hierbei darauf, dass die elektrischen Bauteile trocken bleiben. **Dieses Gerät erhitzt Lebensmittel vollständig und für die meisten Zutaten kann auf eine Hinzugabe von Öl verzichtet werden.**

**Hinweis:** Benutzen Sie den Bratrost immer so, dass die Silikonvorsprünge bedeckt sind. Sie stabilisieren den Bratrost während des Garvorgangs im Frittierkorb.

## GEBRAUCH

1. Stellen Sie das Gerät auf eine trockene, stabile Oberfläche.
2. Das Gerät wird während des Gebrauchs heiß; stellen Sie es daher nicht in die unmittelbare Nähe anderer Objekte.
3. Ziehen Sie den Frittierkorb am Frittierkorbgriff aus dem Gerät. Stellen Sie den Bratrost in den Frittierkorb.
4. Geben Sie die Zutaten in den Einsatz. Schieben Sie den Frittierkorb in das Gerät. Vergewissern Sie sich über die korrekte Position und ein vollständiges Schließen. Anderenfalls kann das Gerät nicht betrieben werden. Vorsicht: Berühren Sie den Frittierkorb nicht während des Betriebs oder kurz nach dem Betrieb, da er sehr heiß wird. Fassen Sie den Frittierkorb nur am Griff an.
5. Schließen Sie den Netzstecker an eine passende Steckdose an.
6. Stellen Sie den Temperaturregler auf die gewünschte, für Ihre Zutaten passende Temperatur ein. Beachten Sie die Temperaturtabelle.
7. Drehen Sie an dem Zeitschaltuhr-Regler, um die passende Garzeit zu wählen. Das Gerät ist eingeschaltet und Aufheiz- sowie Betriebsanzeige leuchten.
8. Während des Heißluft-Garprozesses geht die Aufheiz-Anzeige an und aus. Dadurch wird angezeigt, dass das Heizelement ein- und ausgeschaltet wird, um die eingestellte Temperatur konstant zu halten.
9. Die Zeitschaltuhr klingelt, sobald die Zubereitung beendet ist. Sie können das Gerät ebenso manuell ausschalten, indem Sie den Zeitschaltuhr-Regler auf "0" drehen.
10. Ziehen Sie den Frittierkorb am Frittierkorbgriff aus dem Gerät. Prüfen Sie, ob die Speisen gar sind. Falls nicht, schieben Sie den Frittierkorb einfach zurück in das Gerät und verlängern Sie die Garzeit mithilfe des Timers um einige Minuten.

Hinweis: Frittierkorb und Speisen sind nach dem Frittieren heiß. Je nach Zutaten in der Schale kann heißer Dampf austreten.

11. Nehmen Sie fetthaltige Speisen, wie z. B. Rindfleisch, Huhn, andere Fleischsorten, deren überschüssiges Fett sich während des Garvorgangs auf dem Boden des Frittierkorbs sammelt, bitte einzeln mit einer Zange heraus.

Um Speisen zu entnehmen, bei denen sich kein überschüssiges Fett während des Garvorgangs am Boden des Frittierkorbs sammelt (z. B. Pommes frites, Gemüse), ziehen Sie den Frittierkorb aus dem Gerät und geben Sie die Speisen direkt auf die Teller.

12. Nach beendetem Garen ist das Gerät sofort für die Zubereitung einer weiteren Zutatenportion bereit.

### FRITTIERTIPPS

1. Die optimale Menge für knusprige Pommes frites ist 600 Gramm.
2. Verlängern Sie die Zubereitungszeit um 3 Minuten, wenn das Gerät kalt ist, oder heizen Sie das leere Gerät ungefähr 4 Minuten lang vor.
3. Manche Speisen müssen nach der Hälfte der Garzeit geschüttelt werden. Um die Speisen zu schütteln oder umzudrehen, ziehen Sie den Frittierkorb am Griff aus dem Gerät und schütteln Sie ihn oder drehen Sie die Speisen mit einer Gabel (oder Zange) um. Schieben Sie dann den Frittierkorb zurück ins Gerät.
4. Sie können die Fritteuse auch für das Wiedererwärmen von Zutaten verwenden. Stellen Sie die Temperatur zum Aufwärmen von Speisen für 10 Minuten auf 150 °C ein.
5. Panierte Speisen werden knuspriger, wenn sie mit etwas Pflanzenöl eingesprüht werden.
6. Stellen Sie eine Backform oder eine Auflaufform in das Gerät, wenn Sie einen Kuchen, eine Quiche oder andere mürbe Speisen backen möchten.
7. Bereiten Sie keine extrem fettigen Speisen, wie zum Beispiel Würstchen, in dem Gerät zu.

### VORSICHT:

1. Tauchen Sie das Gehäuse nicht ins Wasser und spülen Sie es nicht unter dem Wasserhahn ab.
2. Vermeiden Sie das Eindringen von Flüssigkeiten in das Gerät, um einen Stromschlag oder Kurzschluss zu verhindern.
3. Geben Sie die Zutaten ausschließlich in den Einsatz und vermeiden Sie so, dass die Zutaten in Kontakt mit den Heizelementen kommen.
4. Der Luftein- und -auslass darf während der Betriebszeit des Geräts nicht abgedeckt werden. Lassen Sie mindestens 10 cm Platz rund um und über dem Gerät.
5. Eine mit Öl befüllte Öl-Auffangschale stellt eine Brandgefahr dar!
6. Berühren Sie nicht die Innenseite des Gerätes, wenn es läuft.
7. Vorsicht mit heißem Dampf und heißer Luft, wenn der Einsatz aus dem Gerät genommen wird.
8. Während des Betriebs strömt heißer Dampf aus dem Luftauslass. Halten Sie mit Händen und Gesicht einen sicheren Abstand zum Luftauslass und Dampf.
9. Schalten Sie das Gerät sofort aus und ziehen Sie den Gerätestecker aus der Steckdose, wenn Sie dunklen Rauch aus dem Gerät quellen sehen. Das bedeutet, dass die Speisen verbrannt sind oder dass Fehlfunktionen auftreten.

### FRITTIER-TABELLE

In dieser Tabelle sind die Lebensmittelmengen, die erforderlichen Temperaturen und Frittierzeiten angegeben. Falls die Anweisungen auf der jeweiligen Produktverpackung von den Tabellenwerten abweichen sollten, sind die Anweisungen auf der Verpackung zu befolgen.

Lebensmittel	Min. – Max. Menge(gr.)	Zeit (Min.)	Temperatur (°C)	Anmerkungen
Dünne gefrorene Pommes frites	300-750	12-16	200	Gegebenenfalls umdrehen
Dicke gefrorene Pommes frites	300-750	12-20	200	Gegebenenfalls umdrehen

Selbstgemachte Kartoffelchips	300-750	18-22	180	1/2 EL Öl dazugeben, schütteln
Beefsteak	100-600	8-12	180	Gegebenenfalls umdrehen
Hähnchenkoteletts	100-500	10-14	180	Gegebenenfalls umdrehen
Hamburger	100-600	7-14	180	1/2 EL Öl dazugeben, schütteln
Wurstchen im Schlafrock	100-800	13-15	200	1/2 EL Öl dazugeben, schütteln
Hähnchenschenkel	100-700	18-22	180	1/2 EL Öl dazugeben, schütteln
Hühnerbrust	100-700	10-15	180	Gegebenenfalls umdrehen
Frühlingsrollen	100-800	8-10	200	Gegebenenfalls umdrehen
Gemüse	100-800	10	180	

## REINIGUNG UND INSTANDHALTUNG

1. Lassen Sie das Gerät für ca. 30 Minuten abkühlen, bevor Sie es anfassen oder säubern. Reinigen Sie das Gerät regelmäßig von innen und außen.
2. Säubern Sie die Außen- und Innenseite des Geräts mit einem feuchten Tuch und reiben Sie es mit einem weichen, sauberen Tuch trocken.
3. Keinesfalls scheuernde Reiniger oder Schwämme verwenden.
4. Nehmen Sie den Frittierkorb heraus, damit sich das Gerät schneller abkühlen kann. Waschen Sie den Frittierkorb und Bratrost in heißem Wasser mit Geschirrspülmittel und einem nicht scheuernden Schwamm ab. Vor dem Gebrauch gründlich abtrocknen.
5. Entfernen Sie etwaige Speisereste vom Heizelement im Gehäuse (wird nach der Entnahme des Frittierkorbs sichtbar) mit einer Reinigungsbürste.

Hinweis: Frittierkorb und Bratrost sind spülmaschinenfest.

## FEHLERBEHEBUNG

Problem	Mögliche Ursache	Lösung
<b>Das Gerät funktioniert nicht.</b>	Das Gerät ist nicht am Strom angeschlossen.	Den Netzstecker an eine geerdete Wand-Steckdose anschließen.
	Die Zeitschaltuhr wurde nicht eingestellt.	Stellen Sie den Zeitschaltuhr-Regler auf die erforderliche Zubereitungszeit ein, um das Gerät einzuschalten.
<b>Die Zutaten sind nicht durchgegart.</b>	Die Menge der Lebensmittel ist für den Einsatz zu groß.	Fügen Sie kleinere Mengen an Zutaten in den Einsatz. Kleinere Mengen werden gleichmäßiger frittiert.
	Die Temperatur ist zu gering.	Drehen Sie den Temperaturregler auf die erforderliche Temperatur.
<b>Die Zutaten sind ungleichmäßig frittiert.</b>	Verschiedene Arten von Speisen müssen eventuell nach der Hälfte der Garzeit geschüttelt werden.	Schütteln Sie die Speisen nach der Hälfte der Garzeit.
<b>Der Einsatz kann nicht ordnungsgemäß in das Gehäuse eingesetzt werden.</b>	Es sind zu viele Lebensmittel im Einsatz.	Geben Sie weniger Lebensmittel in den Einsatz.
<b>Aus dem Gerät steigt weißer Rauch.</b>	Sie bereiten fettige Zutaten zu.	Beim Frittieren fetthaltiger Speisen tropft Öl bzw. Fett in den Frittierkorb. Das Fett erzeugt weißen Rauch und der Frittierkorb kann sich erhitzen. Das beeinträchtigt weder das Kochergebnis noch wird das Gerät beschädigt.
	Es befinden sich noch Fettreste von der letzten Benutzung im Frittierkorb.	Reinigen Sie den Frittierkorb nach jeder Benutzung gründlich.

## TECHNISCHE DATEN

Betriebsspannung: 220-240V~ 50-60Hz

Leistung: 1400W

## GARANTIE UND KUNDENSERVICE

Vor der Lieferung werden unsere Geräte einer strengen Qualitätskontrolle unterzogen. Wenn, trotz aller Sorgfalt, während der Produktion oder dem Transport Beschädigungen aufgetreten sind, senden Sie das Gerät zurück an den Händler. Zusätzlich zu den gesetzlichen Rechten hat der Käufer die Option, gemäß den folgenden Bedingungen Garantie zu fordern:

Wir bieten eine 2-jahres-Garantie für das erworbene Gerät, beginnend am Tag des Verkaufs. Defekte, die aufgrund von unangemessenem Umgang mit dem Gerät entstehen und Störungen aufgrund von Eingriffen und Reparaturen Dritter oder das Montieren von nicht-Originalteilen werden nicht von dieser Garantie abgedeckt. Die Quittung immer aufbewahren, ohne Quittung wird jegliche Garantie ausgeschlossen. Bei Schäden durch Nichteinhalten der Bedienungsanleitung erlischt die Garantie, Wir sind für daraus resultierende Folgeschäden nicht haftbar. Für Materialschäden oder Verletzungen aufgrund falscher Anwendung oder Nichtbefolgen der Sicherheitshinweise sind wir nicht haftbar. Schäden an den Zubehörteilen bedeutet nicht, dass das gesamte Gerät kostenlos ausgetauscht wird. In diesem Fall kontaktieren Sie unseren Kundendienst. Zerbrochenes Glas oder Kunststoffteile sind immer kostenpflichtig. Schäden an Verbrauchsmaterialien oder Verschleißteilen, sowie Reinigung, Wartung oder Austausch der besagten Teile werden durch die Garantie nicht abgedeckt und sind deshalb kostenpflichtig.

## UMWELTGERECHTE ENTSORGUNG



Wiederverwertung – Europäischen Richtlinie 2012/19/EG

Dieses Symbol zeigt an, dass das Produkt nicht zusammen mit Haushaltsabfällen entsorgt werden darf. Um Umwelt- und Gesundheitsschäden durch unkontrollierte Abfallentsorgung zu verhindern, bitte verantwortungsbewusst entsorgen, um die nachhaltige Wiederverwertung von Ressourcen zu fördern. Nutzen Sie zur Rückgabe Ihres Altgeräts bitte die Rückgabe- und Sammelsysteme oder wenden Sie sich an den Händler bei dem Sie dieses Gerät erworben haben. Dieser kann das Gerät umweltschonend entsorgen.

Emerio Holland B.V.  
Zomervaart 1A  
2033 DA Haarlem  
The Netherlands

### Kundendienst:

T: +31(0)23 3034369

E: info.nl@emerio.eu



## **INSTRUCTIONS DE SECURITE IMPORTANTES**

Nous vous recommandons de toujours respecter les mesures de précaution de sécurité suivantes en utilisant des appareils électriques:

Lisez toutes les instructions fournies.

1. Cet appareil peut être utilisé par des enfants à partir de 8 ans et plus et par des personnes ayant des capacités physiques, sensorielles ou mentales réduites ou un manque d'expérience et de connaissances à condition qu'elles aient reçu une supervision ou des instructions concernant l'utilisation de l'appareil en toute sécurité et qu'elles comprennent les dangers encourus.
2. Les enfants ne doivent pas jouer avec l'appareil.
3. Le nettoyage et l'entretien par l'utilisateur ne doivent pas être effectués par des enfants, sauf s'ils ont plus de 8 ans et qu'ils sont surveillés.
4. Maintenir l'appareil et son cordon hors de portée des enfants de moins de 8 ans.
5. Si le câble d'alimentation est endommagé, il doit être remplacé par le fabricant, son service après-vente ou des personnes de qualification similaire afin d'éviter un danger.
6. Cet appareil est conçu pour être utilisé dans les ménages et dans les lieux similaires notamment: Les cuisines du personnel dans les magasins, les bureaux et autres lieux de service; Les fermes; par des clients dans des hôtels, des motels et autres types d'environnement résidentiel; en plus des environnements du type auberge, bistrot, café, etc.
7. Votre droit à la garantie s'annule immédiatement dans le cas de dommages qui seraient provoqués par le non-respect des présentes instructions. Le fabricant/l'importateur rejette toute responsabilité pour les dommages provoqués par le non-respect du mode d'emploi, par un maniement négligeant ou contraire aux instructions du présent manuel.

8. Ce produit doit être utilisé exclusivement conformément aux données techniques nominales telles qu'elles sont indiquées sur la plaque signalétique de l'appareil.
9. Cet appareil électrique est destiné exclusivement à une utilisation à l'intérieur. Il n'est pas approprié pour les utilisations à l'extérieur.
10. Veuillez éviter d'exposer votre appareil électrique à des saletés ou à une humidité excessive.
11. Toute utilisation de l'appareil électrique autre que celle décrite ici conduira à des dangers tels que les courts-circuits, les incendies ou autres. Il ne vous est pas permis de modifier l'appareil de quelque manière que ce soit et d'ouvrir son caisson; l'appareil, dans ce cas, ne serait plus conforme à sa classe de sécurité.
12. Ne branchez et ne débranchez jamais le cordon d'alimentation de l'appareil lorsque vous avez les mains humides.
13. Ne débranchez jamais la fiche du cordon d'alimentation de l'appareil en tirant sur le cordon d'alimentation. Tenez toujours la fiche elle-même.
14. Pendant l'installation/le nettoyage, veuillez faire attention de ne pas coincer ou endommager le cordon d'alimentation.
15. Déconnectez toujours l'appareil du réseau électrique et laissez-le refroidir à la température ambiante: avant de ranger l'appareil; avant tout travail de nettoyage ou de maintenance; après l'utilisation; si vous n'envisagez pas de l'utiliser pendant une période prolongée.
16. Nettoyez le produit lui-même en utilisant un torchon légèrement humide.
17. Ne remplacez jamais de vos propres soins un cordon d'alimentation endommagé. Si le cordon d'alimentation est endommagé ou si vous constatez des dysfonctionnements, prenez contact avec un électricien ou centre de service à la clientèle agréé, ceci en vue du contrôle, de la réparation ou du réglage, car ces travaux exigent des outils spéciaux.

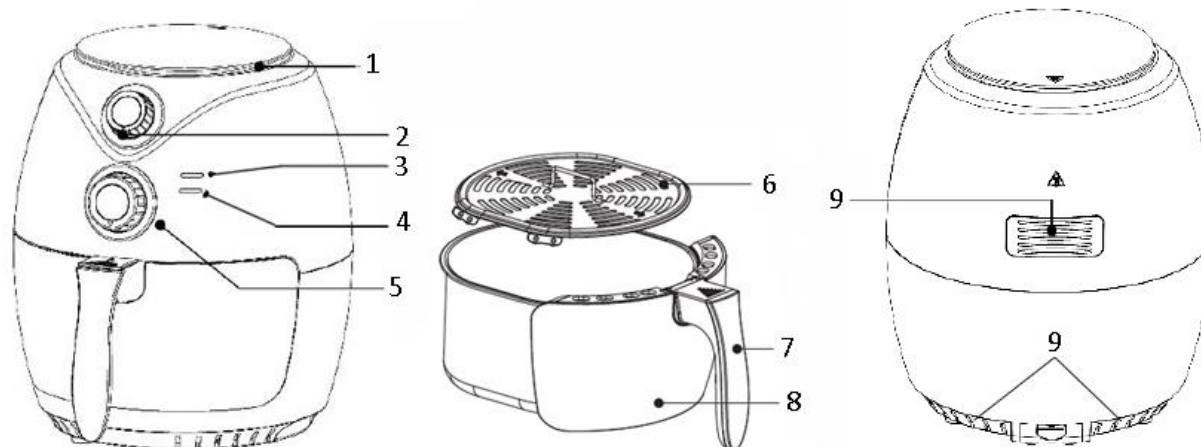
18. Assurez-vous que le cordon d'alimentation électrique n'entre pas en contact avec des pièces qui produisent une chaleur excessive.
19. Si vous estimez qu'il ne vous est plus possible d'utiliser votre appareil électrique sans risque, alors assurez-vous que vous l'avez débranché et qu'il n'est plus utilisé. L'utilisation sans risque de cet appareil électrique n'est plus possible: Si l'appareil électrique ou son cordon d'alimentation est endommagé d'une façon quelconque; Si l'appareil électrique ne fonctionne plus; Après un stockage de longue durée sous des conditions défavorables; S'il présente des dommages sérieux provoqués par le transport.
20. N'immergez jamais la fiche de raccordement ou l'appareil électrique dans de l'eau ou tout autre liquide.
21. Ne placez jamais votre l'appareil directement dans les coins ou sous des matériaux inflammables tels que les rideaux, les armoires, etc.
22. Ne laissez jamais l'appareil sans surveillance lorsqu'il est en marche.
23. L'appareil ne doit pas être mis en marche au moyen d'une prise minuteur externe ou au moyen d'un système de télécommande séparé.
24. Cet appareil n'est pas destiné à une utilisation commerciale.
25. Avertissement!!



Veillez ne pas toucher la surface pendant l'utilisation. La température des surfaces accessibles peut être élevée lorsque l'appareil est en fonctionnement.

26. Pour obtenir des instructions sur comment nettoyer les surfaces qui sont en contact avec des aliments ou de l'huile, reportez-vous au paragraphe « nettoyage et entretien » du mode d'emploi.

## DESCRIPTION DES PIÈCES



- |                             |                      |
|-----------------------------|----------------------|
| 1. Entrée d'air             | 6. Grille de cuisson |
| 2. Bouton de la température | 7. Poignée du panier |
| 3. Voyant de chauffe        | 8. Panier            |
| 4. Voyant d'alimentation    | 9. Sortie d'air      |
| 5. Bouton du minuteur       |                      |

## AVANT TOUTE UTILISATION

Lisez les instructions dans leur intégralité, et conservez-les pour référence future. Utiliser cet appareil avec une prise équipée d'une mise à la terre seulement. Avant la première utilisation, retirez tous les éléments d'emballage. Nettoyez le panier et la grille de cuisson. (Voir « Nettoyage et entretien »). Essuyez l'intérieur et l'extérieur de l'appareil avec un tissu doux. Veillez à ne pas mouiller les composants électriques. **L'appareil fait chauffer les aliments de manière homogène, et une grande majorité d'ingrédients ne nécessitent aucune addition d'huile.**

**Remarque :** Utilisez toujours la grille de cuisson avec les supports siliconés couverts. Ils aident à stabiliser la grille dans le panier pendant la cuisson.

## UTILISATION

1. Installez l'appareil sur une surface plane et sèche.
2. L'appareil chauffe pendant son fonctionnement, ne pas le positionner à proximité d'autres objets inflammables.
3. Sortez le panier de l'appareil en saisissant la poignée du panier. Placez la grille de cuisson dans le panier.
4. Déposez les ingrédients dans le panier. Insérez le panier dans l'appareil. Veillez à ce que ces derniers soient correctement insérés. L'appareil ne s'activera pas sinon. Attention : Ne touchez pas le panier pendant l'utilisation ou peu après l'utilisation, car il devient très chaud. Saisissez le panier exclusivement par sa poignée.
5. Connectez le cordon d'alimentation à une prise murale adaptée.
6. Sélectionnez la température adaptée aux aliments que vous désirez faire frire. Pour savoir quels paramètres utiliser, consultez le tableau des températures ci-dessous.
7. Faites tourner le bouton de sélection de la durée de cuisson. L'appareil s'allume et les voyants d'alimentation et de cuisson s'allument alors.
8. Le voyant de cuisson peut clignoter pendant le processus de friture. Cela indique que l'élément de chauffe s'allume et s'éteint en fonction de la température à atteindre puis à maintenir.
9. Une sonnerie retentit pour indiquer que le processus de cuisson est terminé. Vous pouvez également éteindre l'appareil manuellement en faisant tourner le bouton de la minuterie en position « 0 ».
10. Sortez le panier de l'appareil en saisissant la poignée du panier. Vérifiez que les ingrédients sont cuits. Si ce n'est pas le cas, réinsérez simplement le panier dans l'appareil et réglez le minuteur sur quelques minutes supplémentaires.

Remarque : Le panier et les ingrédients sont très chauds après la cuisson. Selon le type d'ingrédient frit, de la vapeur pourrait s'échapper de la plaque.

11. Pour retirer les ingrédients naturellement gras (par exemple le bœuf, le poulet, la viande) dont le gras en excès est collecté au fond du panier pendant la cuisson, utilisez des pinces et saisissez-les un par un.  
Pour retirer les ingrédients (par exemple des frites ou des légumes) sans gras collecté au fond du panier pendant la cuisson, retirez le panier et versez les ingrédients dans un plat.
12. L'appareil peut immédiatement être utilisé pour frire un second lot d'aliments si désiré.

### CONSEILS DE CUISSON

1. La quantité optimale de frites à frire à la fois est de 600 grammes.
2. Ajoutez 3 minutes de plus à la durée de la préparation quand l'appareil est froid ou vous pouvez aussi laisser l'appareil préchauffer pendant 4 minutes environ sans ingrédient à l'intérieur.
3. Certains ingrédients nécessitent d'être secoués à mi-cuisson. Pour secouer ou retourner les ingrédients, tirez le panier hors de l'appareil en saisissant sa poignée et secouez-le ou retournez les ingrédients avec une fourchette (ou une pince). Puis réinsérez le panier dans l'appareil.
4. La friteuse ne peut pas être utilisée pour réchauffer les ingrédients. Pour réchauffer les ingrédients, sélectionnez une température de 150 °C pour une durée de 10 minutes.
5. Les aliments recouverts de panure deviendront plus croquants si vous les recouvrez d'une petite quantité d'huile végétale.
6. Placez un moule ou un plat de four dans l'appareil si vous voulez cuire un gâteau, une quiche ou d'autres préparations fragiles.
7. Ne préparez pas d'ingrédients extrêmement gras (par exemple des saucisses) dans l'appareil.

### ATTENTION

1. Ne pas immerger l'appareil ou le rincer sous le robinet.
2. Ne pas verser d'eau à l'intérieur de l'appareil, pour éviter les risques de choc électrique ou de court-circuit.
3. Veiller à ce que les aliments ne débordent pas du panier, pour éviter tout contact avec les éléments chauffants.
4. Ne pas bloquer l'entrée ni la sortie d'air lorsque l'appareil est en fonctionnement. Laissez un espace vide de 10 cm autour et au-dessus de l'appareil.
5. Ne pas remplir la plaque de recueil d'huile, car cela pourrait entraîner un risque d'incendie!
6. Ne touchez pas l'intérieur de l'appareil quand il est en fonctionnement.
7. L'appareil peut laisser échapper de l'air très chaud à son ouverture.
8. De l'air chaud est relâché par la sortie d'air pendant le fonctionnement. Veillez à ne pas approcher ni vos mains ni votre visage de l'appareil en fonctionnement.
9. Éteignez et débranchez immédiatement l'appareil si vous voyez de la fumée noire sortir de l'appareil, car cela indique que les ingrédients sont trop cuits ou que l'appareil est en panne.

### TABLEAU DE DURÉES DE FRITURE

Le tableau de friture ci-après indique les quantités d'aliments ainsi que la température et le temps de friture respectifs requis. Respectez les instructions fournies sur l'emballage de vos aliments si elles diffèrent de celles fournies dans le tableau.

Aliment	Quantité min-max (g)	Durée (minutes)	Température (°C)	Remarques
Frites surgelées fines	300-750	12-16	200	Retourner si nécessaire
Frites surgelées épaisses	300-750	12-20	200	Retourner si nécessaire
Frites fait-maison	300-750	18-22	180	Ajouter 1/2 c. à soupe d'huile, secouer
Bifteck	100-600	8-12	180	Retourner si nécessaire
Côtes de porc	100-500	10-14	180	Retourner si nécessaire

Hamburger	100-600	7-14	180	Ajouter 1/2 c. à soupe d'huile, secouer
Feuilletés à la saucisse	100-800	13-15	200	Ajouter 1/2 c. à soupe d'huile, secouer
Pilons de poulet	100-700	18-22	180	Ajouter 1/2 c. à soupe d'huile, secouer
Blanc de poulet	100-700	10-15	180	Retourner si nécessaire
Rouleaux de printemps	100-800	8-10	200	Retourner si nécessaire
Légume	100-800	10	180	

### NETTOYAGE ET ENTRETIEN

1. Attendez 30 minutes pour permettre à l'appareil de refroidir avant de le manipuler ou de le nettoyer. Nettoyez les surfaces internes et externes de l'appareil régulièrement.
2. Nettoyez les surfaces internes et externes de l'appareil avec un chiffon humide, puis séchez-les avec un chiffon sec et doux.
3. Ne jamais utiliser de nettoyeurs ni d'éponges abrasifs.
4. Retirez le panier pour laisser l'appareil refroidir plus rapidement. Nettoyez le panier et la grille à l'eau chaude avec du liquide vaisselle et une éponge non abrasive. Séchez-les complètement avant réutilisation.
5. Nettoyez l'élément chauffant dans le boîtier (vous pouvez le voir après avoir sorti le panier) avec une brosse de nettoyage pour enlever les résidus alimentaires.

Remarque : Le panier et la grille peuvent être lavés au lave-vaisselle.

### DÉPANNAGE

Problème	Cause possible	Solution
<b>L'appareil ne fonctionne pas.</b>	L'appareil n'est pas branché.	Branchez le cordon d'alimentation à une prise murale avec mise à la terre.
	Vous n'avez pas lancé la minuterie.	Faites tourner le bouton de la minuterie sur la durée de cuisson voulue pour allumer l'appareil.
<b>Les ingrédients ne sont pas correctement frits.</b>	La quantité d'aliment dépassait la limite maximum.	Cuisez les aliments en plus petites quantités. Une plus petite quantité permet d'assurer une cuisson plus homogène.
	La température sélectionnée est trop basse.	Tournez le sélecteur de température sur la valeur appropriée.
<b>Les ingrédients sont frits de manière irrégulière.</b>	Certains aliments nécessitent d'être secoués à mi-cuisson.	Secouez les aliments à mi-cuisson.
<b>Le panier ne glisse pas aisément en place.</b>	Le panier est trop en surcapacité.	Remplissez-le d'une plus petite quantité d'aliments.
<b>L'appareil émet de la fumée blanche.</b>	Les aliments que vous préparez sont riches en graisse.	Quand vous faites cuire des ingrédients gras, de l'huile peut goutter dans le panier. L'huile produit de la fumée blanche et le panier peut chauffer. Cela n'affecte en rien la cuisson et n'est pas dangereux pour l'appareil.
	Le panier contient toujours des résidus gras de l'utilisation précédente.	Nettoyez correctement le panier après chaque utilisation.

## DONNEES TECHNIQUES

Tension de fonctionnement: 220-240V~ 50-60Hz

Puissance: 1400W

## GARANTIE ET SERVICE APRÈS-VENTE

Nos appareils sont soumis à un contrôle de qualité strict avant d'être livrés. Si l'appareil a toutefois été endommagé lors de la production ou du transport en dépit des soins que nous lui donnons, retournez l'appareil au vendeur. En plus des droits juridiques, le client a la possibilité dans les limites de la garantie de déposer les réclamations suivantes:

Nous offrons une garantie de 2 ans pour l'appareil acheté à partir de la date de vente. Les défauts dus à une utilisation non conforme de l'appareil et les dommages dus à une intervention ou réparation faite par une tierce personne ou dus à l'installation de pièces qui ne sont pas d'origine ne sont pas couverts par cette garantie. Conservez toujours votre reçu, car sans celui-ci vous ne pourrez réclamer aucune sorte de garantie. Les dommages causés par le non respect des instructions de ce manuel rendront la garantie caduque, Nous décline toute responsabilité en cas de dommages indirects. Nous décline toute responsabilité en cas de dégâts matériels ou de dommages corporels causés par une utilisation inappropriée ou si les instructions de sécurité n'ont pas été convenablement observées. Si les accessoires sont endommagés, cela ne signifie pas que toute la machine sera remplacée gratuitement. Dans de tels cas, veuillez contacter notre assistance. Des pièces brisées en verre ou en plastique sont toujours sujettes à des frais. Les défauts des consommables ou des pièces susceptibles de s'user, ainsi que le nettoyage, l'entretien ou la réparation desdites pièces ne sont pas couverts par la garantie et doivent donc être payés.

## APPAREIL RESPECTUEUX DE L'ENVIRONNEMENT



Recyclage – Directive européenne 2012/19/EU

Ce symbole indique que le produit ne doit pas être jeté avec les ordures ménagères. Pour limiter les risques pour l'environnement et la santé entraînés par le rejet non contrôlé des déchets, recyclez ce dernier pour promouvoir une réutilisation responsable de ses matériaux. Pour recycler

■ votre produit, utilisez les réseaux de collecte de votre région ou prenez contact avec le revendeur du produit. Ce dernier pourra vous aider à le recycler.

Emerio Holland B.V.  
Zomervaart 1A  
2033 DA Haarlem  
The Netherlands

### Service à la clientèle:

T: +31(0)23 3034369

E: info.nl@emerio.eu

## **VIKTIGA SÄKERHETSINSTRUKTIONER**

När elektriska utrustningar används ska alltid följande säkerhetsåtgärder följas:

Läs igenom alla instruktioner.

1. Denna apparat får användas av barn från 8 års ålder, personer med nedsatt fysisk, sensorisk eller mental förmåga eller personer med brist på erfarenhet och kunskap om de övervakas eller fått instruktioner angående användningen av apparaten på ett säkert sätt och förstår riskerna.
2. Barn får inte leka med apparaten.
3. Rengöring eller underhåll skall inte göras av barn, såvida de inte är äldre än 8 år och under uppsikt.
4. Apparaten och dess sladd bör hållas utom räckhåll för barn under 8 år.
5. Om sladden är skadad måste den bytas ut av tillverkaren, en av tillverkaren godkänd reparatör eller liknande kvalificerad person för att undvika faror.
6. Denna apparat ämnas för att användas i hushåll och liknande bruksområden, till exempel: personalköken i butiker, kontor och andra arbetsmiljöer; lantgårdhus; av kunder i hotell, motell, och andra liknande bostadsmiljöer; vandrarhem och liknande miljöer.
7. Vid skador till följd av att instruktionerna i denna manual inte följts upphör garantin att gälla omedelbart. Tillverkaren eller importören tar inget ansvar för skador som orsakats av okunskap om innehållet i användarmanualen, oaktsam användning eller annan användning än vad som instruktionerna i denna manual anger.
8. Denna produkt kan endast användas enligt informationen som anges på typskylten.
9. Denna produkt är endast avsedd för inomhusbruk! Den är inte lämplig för utomhusbruk.



10. Skydda produkten från att utsättas för ovanligt mycket smuts eller fuktighet.
11. All annan användning av produkten än vad som beskrivs ovan kan orsaka kortslutning, brand eller andra skador. Det är inte tillåtet att modifiera denna produkt på något sätt och kåpan får inte öppnas, i annat fall så kommer produkten inte att uppfylla villkoren för dess skyddsklass.
12. Kontakten får aldrig anslutas eller dras ur med våta händer.
13. Dra aldrig i nätsladden för att dra ur kontakten ur vägguttaget. Dra alltid i själva kontakten.
14. Vid installation eller rengöring se till att nätsladden inte kläms eller skadas.
15. Koppla alltid ur apparaten från nätet och låt den svalna till rumstemperatur: innan apparaten stoppas undan; innan rengöring eller underhåll; efter användning; om du inte kommer att använda den under en längre tid.
16. Rengör själva produkten med en lätt fuktad trasa.
17. Byt aldrig själv en skadad nätsladd. Vid sådana tillfällen eller vid tekniskt fel kontakta en auktoriserad elektriker eller servicecenter för undersökning, reparation eller justering eftersom det krävs specialverktyg.
18. Se till att nätsladden aldrig kommer i kontakt med delar som genererar stark hetta.
19. Om du misstänker att det inte längre är möjligt att använda produkten säkert, se till att produkten kopplas ur och inte längre används. Säker användning av produkten är inte längre möjlig om: produkten eller nätsladden är skadad på något sätt; produkten inte längre fungerar; efter en längre förvaring vid ogynnsamma förhållanden; efter svåra skador vid transport.
20. Sänk aldrig ned kontakten eller apparaten i vatten eller annan vätska.
21. Placera aldrig fritösen direkt i hörn eller under lättantändligt material såsom gardiner, skåp etc.
22. Flytta inte apparaten när fett är flytande/hett.

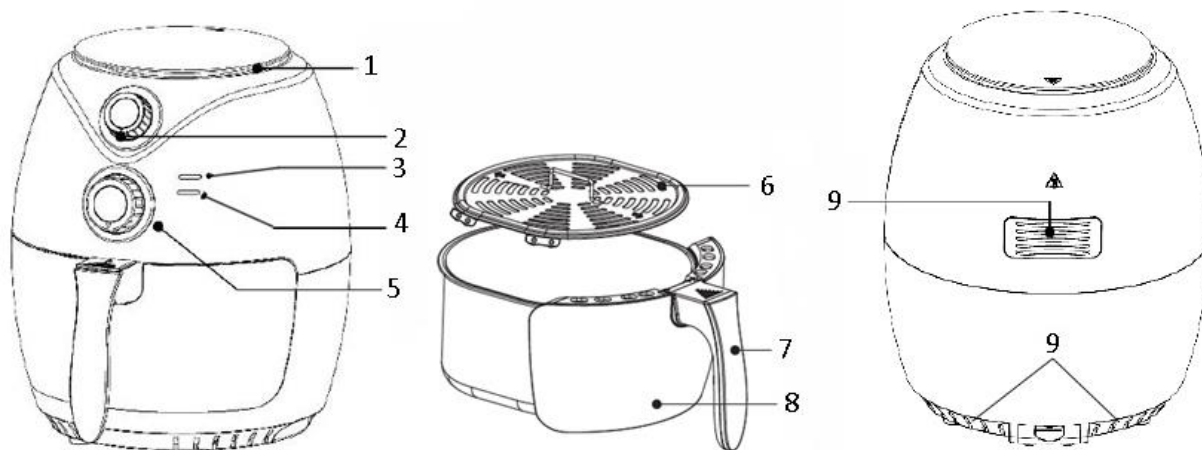
23. Maskinen bör inte användas tillsammans med en extern tidsbrytare eller ett separat system med fjärrkontroll.
24. Den här apparaten är inte utformad för kommersiell användning.
25. VARNING!!



Vänligen vidrör inte ytterhöljet då apparaten används. Det kan hända att temperaturen är hög på tillgängliga ytor när apparaten körs.

26. När det gäller instruktionerna för att rengöra ytorna som kommer i kontakt med mat eller olja, se stycket "RENGÖRING OCH UNDERHÅLL" i handboken.

## BESKRIVNING AV DELAR



- |                          |                |
|--------------------------|----------------|
| 1. Luftinlopp            | 6. Stekgaller  |
| 2. Temperaturvred        | 7. Korghandtag |
| 3. Uppvärmningsindikator | 8. Korg        |
| 4. Strömindikator        | 9. Luftutlopp  |
| 5. Timervred             |                |

## FÖRE ANVÄNDNING

Läs först igenom alla instruktioner före användning och spara bruksanvisningen för framtida bruk. Anslut endast apparaten till ett jordat eluttag. Ta bort allt förpackningsmaterial före första användning. Rengör korgen och stekgallret. (Se "RENGÖRING OCH UNDERHÅLL"). Torka av apparatens in- och utsida med en mjuk trasa. Se till att de elektriska delarna alltid är torra. **Denna apparat värmer upp maten från alla håll och de flesta ingredienserna behöver ingen olja.**

**Obs!** Använd alltid stekgallret med silikonfodralen övertäckta. De hjälper till att stabilisera stekgallret under tillagning.

## ANVÄNDNING

- Placera apparaten på en torr, stabil och värmebeständig yta.
- Eftersom apparaten blir het vid användning, säkerställ att den inte står för nära några andra föremål.
- Dra ut korgen ur apparaten via korghandtaget. Placera stekgallret i korget.
- Placera ingredienserna i korgen. Skjut in korgen i apparaten. Se till att de är monterade korrekt och ordentligt stängda, annars kommer inte apparaten att fungera. Varning! Rör inte korgen under eller kort tid efter användning eftersom den blir mycket varm. Håll endast korgen via handtaget.
- Koppla elsladden till lämpligt uttag.
- Ställ knappen för temperaturkontroll på önskad temperatur, som passar för det du tillagar. Kontrollera temperaturen i tabellen.
- Vrid timervredet till lämplig stekningstid. Apparaten slås på och både ström- och uppvärmningsindikatorn tänds.
- Vid varmluftssteking kommer uppvärmningslampan både att tändas och slockna. Det indikerar att värmeelementet slås på och stängs av för att upprätthålla den inställda temperaturen.
- När tillagningen är klar ringer timer-klockan. Du kan också stänga av apparaten manuellt genom att vrida timer-vredet till "0".
- Dra ut korgen ur apparaten via korghandtaget. Kontrollera om ingredienserna är redo. Om de inte är det, skjut bara in korgen i apparaten och ställ in timern på ett par extra minuter.  
Obs! Korgen och ingredienserna är varma efter stekningen. Beroende på typen av ingredienser i apparaten kan ånga frigöras från dropplådan.

- För att ta bort ingredienser (t.ex. biff, kyckling, kött) i originalolja och samla upp överbliven olja i botten av korgen under stekning, använd tången för att plocka upp en ingrediens i taget.  
För att ta bort ingredienser (t.ex. chips, grönsaker) utan överbliven olja i botten av korgen under stekning, stäng av korgen och håll ut ingredienserna på en tallrik/skål.
- När tillagningen är klar är apparaten omedelbart redo för en ny omgång ingredienser om så önskas.

#### TILLAGNINGSTIPS

- Optimal mängd för krispiga pommes frites är 600 gram.
- Lägg på tre minuter till tillagningstiden när apparaten är kall, eller låt apparaten förvärmas i cirka 4 minuter utan ingredienser.
- Vissa ingredienser kräver att de skakas om efter halva tillagningstiden. För att skaka om eller vända ingredienserna, dra ut korgen ur apparaten via handtaget och skaka eller vänd på ingredienserna med en gaffel (eller tång). Skjut sedan in korgen i apparaten igen.
- Du kan också använda fritösen för att värma upp ingredienser. För att värma upp ingredienser igen, ställ temperaturen på 150°C i upp till 10 minuter.
- Produkter med skorpa eller torra brödsmlur blir krispigare om de sprayas med little vegetabilisk olja.
- Placera en bakform eller en ugnform i ugnen om du vill baka en kaka, paj eller andra ömtåliga ingredienser.
- Tillaga inte extremt feta ingredienser som t.ex. korv i apparaten.

#### VARNING:

- Sänk inte ner kåpan i vatten och skölj den inte under kranen.
- Undvik att vätska kommer in i apparaten, för att förebygga elektriska stötar eller kortslutning.
- Se till att alla ingredienser ligger i korgen för att undvika kontakt med uppvärmningselementen.
- Täck inte över luftintaget och luftutsläppet när apparaten är igång. Lämna ett fritt utrymme på minst 10 cm runt och ovanför apparaten.
- Om dropplådan för olja fylls med olja kan det resultera i en brandrisk!
- Vidrör inte insidan på apparaten när den är i drift.
- Var försiktig med den heta ångan och luften när du tar ut korgen ur apparaten.
- Under användning släpps het ånga ut genom luftutsläppet. Håll händer och ansikte på säkert avstånd från ångan och luftutsläppet.
- Stäng omedelbart av apparaten och dra ut strömkabeln ur eluttaget om mörk rök tränger ut från apparaten. Detta beror på att maten har friterats för länge eller att apparaten gått sönder.

#### TILLAGNINGSTABELL

Denna tabell visar produktkvantiteterna och nödvändig temperatur och friteringstider. Om instruktionerna på produktförpackningen avviker från värdena som visas i denna tabell ska instruktionerna på förpackningen följas.

Livsmedel	Min-max-mängd (g)	Tid (minuter)	Temperatur (°C)	Obs
Tunna frusna chips	300-750	12-16	200	Vänd om nödvändigt
Tjocka frusna chips	300-750	12-20	200	Vänd om nödvändigt
Hemmagjorda potatischips	300-750	18-22	180	Tillsätt 1/2 msk matlagningsolja, skaka om
Biffstek	100-600	8-12	180	Vänd om nödvändigt
Kycklingkotletter	100-500	10-14	180	Vänd om nödvändigt
Hamburgare	100-600	7-14	180	Tillsätt 1/2 msk matlagningsolja, skaka om
Korvrullar	100-800	13-15	200	Tillsätt 1/2 msk matlagningsolja, skaka om
Kycklingklubbor	100-700	18-22	180	Tillsätt 1/2 msk matlagningsolja, skaka om
Kycklingbröst	100-700	10-15	180	Vänd om nödvändigt
Vårullar	100-800	8-10	200	Vänd om nödvändigt
Grönsaker	100-800	10	180	

## RENGÖRING OCH UNDERHÅLL

1. Före hantering eller rengöring av apparaten, låt den svalna i ungefär 30 minuter. Rengör hela insidan och utsidan av apparaten regelbundet.
2. Rengör utsidan och insidan av apparaten med en fuktig trasa och torka med en mjuk, ren trasa.
3. Använd aldrig frätande rengöringsmedel och inte svampar som river.
4. Dra ut korgen för att apparaten ska svalna snabbare. Rengör korgen och stekgallret i varmt vatten med diskmedel och en mjuk svamp. Låt torka väl före användning.
5. Rengör värmeelementet inuti höljet (syns efter att korgen dragits ut) med en rengöringsborste för att ta bort eventuella matrester.

Obs! Korgen och stekgallret kan köras i diskmaskin.

## FELSÖKNING

Problem	Möjlig orsak	Lösning
<b>Apparaten fungerar inte.</b>	Apparaten är inte inkopplad.	Sätt i kontakten i ett jordat uttag.
	Du har inte ställt in timern.	Vrid timer-vredet till lämplig tid och sätt på apparaten.
<b>Ingredienserna är inte tillräckligt tillagade.</b>	Det är för stor mängd mat i korgen.	Lägg mindre mängd mat i korgen. Mindre mängder tillagas jämnare.
	Temperaturen är för låg.	Vrid temperaturvredet till lämplig temperatur.
<b>Ingredienserna tillagas ojämnt.</b>	Olika typer av mat kan behöva skakas om efter halva tiden.	Skaka om maten efter halva tiden.
<b>Korgen kan inte skjutas in ordentligt i apparaten.</b>	För mycket mat i korgen.	Lägg mindre mängd mat i korgen.
<b>Det kommer ut vit rök ur apparaten.</b>	Du tillagar feta ingredienser.	När du steker feta ingredienser kommer olja att läcka in i korgen. Oljan alstrar vit rök och korgen kan värmas upp. Detta påverkar inte tillagningsresultatet och skadar inte apparaten.
	Korgen innehåller fortfarande fettrester från tidigare användning.	Rengör korgen ordentligt efter varje användning.

## TEKNISKA DATA

Driftspänning: 220-240V ~ 50-60Hz

Strömförbrukning: 1400W

## GARANTI OCH KUNDTJÄNST

Innan leverans genomgår våra apparater en sträng kvalitetskontroll. Om det trots detta skulle uppstå någon skada på produktionen eller vid transporten, ber vi dig att ta med apparaten tillbaka till inköpsstället. Förutom de i lag fastställda garantianspråken har köparen möjlighet att göra gällande följande anspråk på garanti:

För den köpta apparaten ges 2 års garanti, med början på inköpsdagen.

Brister som uppstår genom felaktig hantering av apparaten och fel som uppstår genom ingrepp och reparationer av tredje man eller montering av främmande delar, omfattas ej av vår garanti. Behåll alltid ditt kvitto då det är din garanti vid eventuell reklamation. Skador som uppstår p.g.a. att instruktionsmanualen inte

följs ogiltigförklarar garantin och om detta leder till påföljande skador så kan inte vi hållas ansvariga. Vi kan inte hållas ansvariga för materiella skador eller personskador som orsakas av felaktig användning eller om inte säkerhetsföreskrifterna följs. Skador på tillbehören innebär inte per automatik ersättning av hela apparaten. I sådana fall ska du kontakta vår kundservice. Trasigt glas och trasiga plastdelar innebär alltid en kostnad. Defekter på förbrukningsartiklar eller slitdelar och även skador orsakade av rengöring, underhåll eller byte av tidigare nämnda delar täcks inte av garantin och ska således betalas av ägaren.

#### **MILJÖVÄNLIG KASSERING**



Återvinning – EU-direktiv 2012/19/EU

Denna markering indikerar att produkten inte får kastas tillsammans med övrigt hushållsavfall. För att förhindra eventuell skada på miljön eller människors hälsa på grund av okontrollerad avfallshantering, återvinns de på ett ansvarsfullt sätt som främjar en hållbar återanvändning av materiella resurser. För att återlämna den använda enheten, använd retur- och insamlingssystem eller kontakta återförsäljaren där produkten var köpt. De kan ta denna produkt för miljösäker återvinning.

Emerio Holland B.V.  
Zomervaart 1A  
2033 DA Haarlem  
The Netherlands

#### **Kundservice:**

T: +31(0)23 3034369  
E: [info.nl@emerio.eu](mailto:info.nl@emerio.eu)

## **BELANGRIJKE VEILIGHEIDSINSTRUCTIES**

Wanneer elektrische toestellen gebruikt worden moeten de fundamentele voorzorgsmaatregelen in acht genomen worden:

Lees alle instructies.

1. Dit toestel mag gebruikt worden door kinderen vanaf de leeftijd van 8 jaar en door personen met verminderde fysieke, zintuiglijke of mentale capaciteiten of met gebrek aan ervaring of kennis, indien zij onder het toezicht staan of gebruiksinstructies voor het veilig gebruik van dit toestel gekregen hebben en de mogelijke gevaren begrijpen.
2. Kinderen mogen niet met dit toestel spelen.
3. Reiniging en onderhoud mogen niet door kinderen worden uitgevoerd, tenzij ze minstens 8 jaar oud zijn en onder toezicht staan.
4. Houd het apparaat en snoer buiten bereik van kinderen jonger dan 8 jaar.
5. Als het stroomsnoer beschadigd is, dan moet het vervangen worden door de fabrikant, diens dealer of een gekwalificeerde technicus om risico's te voorkomen.
6. Dit apparaat is bedoeld voor huishoudelijk- en vergelijkbaar gebruik zoals: personeelskeuken in winkels, kantoren en andere werkomgevingen; boerderijen; door hotel-, motelgasten en andere residentiële omgevingen; bed and breakfast soortgelijke omgevingen.
7. In geval van schade, veroorzaakt door het niet naleven van deze gebruikshandleiding, vervalt de garantie onmiddellijk. De fabrikant/importeur aanvaardt geen enkele aansprakelijkheid voor schade veroorzaakt door het niet naleven van de gebruikshandleiding, een onachtzaam gebruik of een gebruik niet conform de voorschriften van deze handleiding.
8. Dit product mag alleen gebruikt worden overeenkomstig de informatie die op het desbetreffende label geprint is.

9. Dit product is uitsluitend bestemd voor gebruik binnenshuis! Gebruik dit product nooit buitenshuis.
10. Stel het product nooit bloot aan teveel vuil en vocht.
11. Andere bedrijfswijzen, behalve de hierboven beschreven, zullen gevaren veroorzaken zoals kortsluitingen, brand of dergelijke. Dit product mag in geen geval veranderd worden en de behuizing mag niet geopend worden, omdat het product in dat geval niet langer aan de veiligheids categorie beantwoordt.
12. De stekker nooit met natte handen insteken of uittrekken.
13. Trek nooit aan de elektrische kabel. Trek altijd aan de stekker zelf.
14. Verzeker tijdens installatie-/reinigingswerken dat de elektrische kabel niet geklemd of beschadigd wordt.
15. Ontkoppel het toestel altijd van de hoofdleiding en laat het product tot op kamertemperatuur afkoelen: voordat het toestel opgeborgen wordt; vóór reinigings - of onderhoudswerken; na gebruik; wanneer het product langere tijd niet gebruikt wordt.
16. Reinig het product zelf met een lichtjes bevochtigde doek.
17. Vervang nooit zelf een beschadigde elektrische kabel. Neem in dat geval, of in geval van een slechte werking, contact op met een gemachtigde elektrische vakman/servicecenter om het product te laten onderzoeken, repareren of in te stellen, aangezien hiervoor speciale werktuigen nodig zijn.
18. Verzeker dat de elektrische kabel niet in contact komt met delen die een te hoge hitte afgeven.
19. Wanneer u denkt dat het product niet langer zonder gevaar gebruikt kan worden, verzeker dan dat het product uitgeschakeld en niet langer gebruikt wordt. Het veilige bedrijf is niet langer mogelijk wanneer: het product of de elektrische kabel beschadigd is; het product niet langer werkt; na een lange opslagperiode onder ongunstige omstandigheden; na zware schade door transport.
20. Dompel de stekker of het toestel nooit in water of andere vloeistoffen.



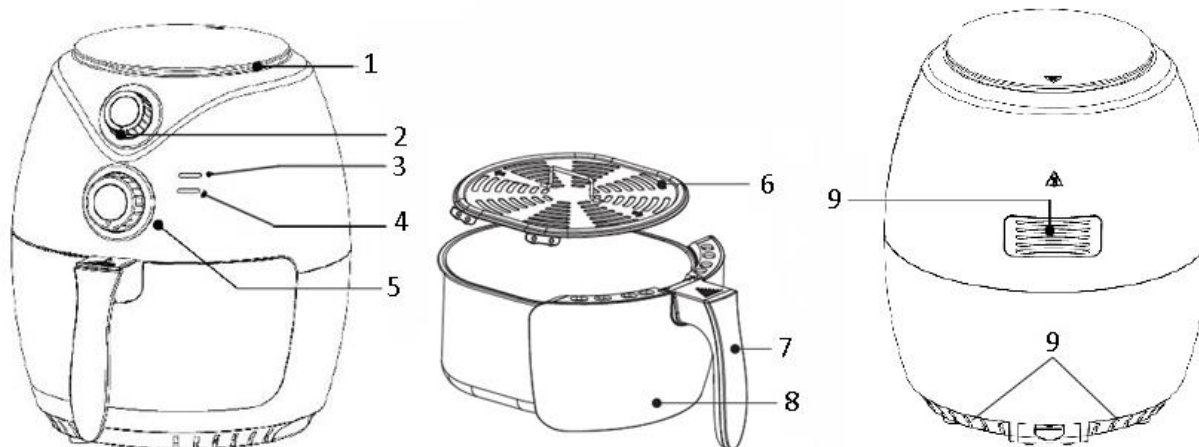
21. Plaats het apparaat nooit direct in hoeken of onder brandbare materialen zoals gordijnen, kasten, enz.
22. Laat het apparaat tijdens het gebruik nooit onbeheerd achter.
23. Het apparaat dient niet bediend te worden door middel van een externe tijdschakelaar of door middel van een apart systeem met afstandsbediening.
24. Dit apparaat is niet ontworpen voor commercieel gebruik.
25. WAARSCHUWING!!



Raak het oppervlak a.u.b. niet aan tijdens gebruik. De temperatuur van toegankelijke oppervlakken kan erg hoog worden wanneer het apparaat aan staat.

26. Met betrekking tot de instructies voor het reinigen van de oppervlakken die in contact komen met voedsel of olie, verwijzen wij u naar de paragraaf "reiniging en onderhoud" van de handleiding.

## ONTWERP



- |                        |                       |
|------------------------|-----------------------|
| 1. Luchtinlaat         | 6. Bakrooster         |
| 2. Temperatuurregelaar | 7. Handgreep van mand |
| 3. Opwarmlampje        | 8. Mand               |
| 4. Aan/uit-lampje      | 9. Luchtuitleat       |
| 5. Timerknop           |                       |

## VOOR GEBRUIK

Lees alle aanwijzingen voordat u het apparaat gaat gebruiken en bewaar deze om later nog eens na te kunnen kijken. Steek de stekker alleen in een geaard stopcontact. Voor het eerste gebruik dient u de verpakkingsmaterialen te verwijderen. Reinig de mand en het bakrooster. (Zie "Reinigen en onderhoud") Veeg de binnen- en buitenkant van het apparaat schoon met een zachte doek. Zorg dat de elektrische onderdelen droog blijven. **Dit apparaat verhit voedsel rondom en de meeste ingrediënten hebben geen olie nodig.**

**Opmerking:** Gebruik het bakrooster altijd met de silicone klemmen bevestigd. Dit zorgt voor een stabiele positie van het bakrooster in de mand tijdens het bakproces.

## GEBRUIK

1. Plaats het apparaat op een droog en stabiel oppervlak.
2. Omdat het apparaat heet wordt tijdens het gebruik, dient u ervoor te zorgen dat het niet te dicht bij andere objecten staat.
3. Trek de mand uit het apparaat met behulp van de handgreep. Plaats het bakrooster in de mand.
4. Plaats de ingrediënten in het mandje. Schuif de mand in het apparaat. Zorg dat ze correct geplaatst en volledig gesloten zijn. Anders werkt het apparaat niet. Opgelet: Raak de mand tijdens en kort na gebruik niet aan, ze wordt zeer warm. Houd de pan alleen bij de handgreep vast.
5. Steek de stekker in een geschikt stopcontact.
6. Stel de temperatuurregelknop in op de temperatuur, die u nodig heeft voor het bereiden van het voedsel. Kijk hiervoor in de temperatuurtablel.
7. Draai aan de timer om de juiste bereidingstijd te kiezen. Het apparaat gaat aan en zowel het aan/uit lampje als het verwarmingslampje licht op.
8. Tijdens het verwarmen zal het verwarmingslampje van tijd tot tijd aan en uit gaan. Dit geeft aan dat het verwarmingselement in- en uitschakelt om de juiste temperatuur te behouden.
9. Wanneer het verwarmen klaar is, zal de bel van de timer afgaan. U kunt het apparaat ook handmatig uitzetten door de timer naar "0" te draaien.
10. Trek de mand uit het apparaat met behulp van de handgreep. Controleer of de levensmiddelen gaar zijn. Als de levensmiddelen nog niet gaar zijn, schuif de mand opnieuw in het apparaat en stel de timer nog enkele minuten in.

Opmerking: De mand en de ingrediënten zijn heet na het bakproces. Afhankelijk van het soort ingrediënten dat u gebruikt, kan er stoom uit de pan ontsnappen.

- Om ingrediënten (bijv. rundvlees, kip, vlees) die olie bevatten, en waarvan de overtollige olie in de bodem van de mand wordt opgevangen, uit te halen, gebruik een tang om de ingrediënten één voor één te verwijderen.  
Om ingrediënten (bijv. friet, groente) zonder overtollige olie in de bodem van de mand, uit te halen, trek de mand uit en breng de ingrediënten over naar een schaal.
- Als de bereidingstijd voorbij is, is het apparaat meteen gereed voor het bereiden van een volgende portie als dit nodig is.

#### FRITUURTIPS

- De ideale hoeveelheid voor knapperige friet is 600 gram.
- Voeg 3 extra minuten aan de bereidingstijd toe wanneer het apparaat koud is of laat het apparaat circa 4 minuten voorverwarmen zonder ingrediënten in het apparaat.
- Het is nodig om bepaalde ingrediënten aan de helft van de bereidingstijd te schudden. Om de levensmiddelen te schudden of om te draaien, trek de mand via de handgreep uit het apparaat en schud de mand of draai de ingrediënten om met een vork (of tang). Schuif de mand vervolgens opnieuw in het apparaat.
- U kunt de frituurpan ook gebruiken voor het opnieuw verwarmen van ingrediënten. Voor het opnieuw verwarmen, stel de temperatuur in op 150 °C gedurende 10 minuten.
- Producten met een korst of paneerlaag worden knapperiger als u deze eerst licht inspuit met wat plantaardige olie.
- Plaats een bakvorm of een ovenschaal in het apparaat, als u een cake, quiche of ander gevoelig gerecht wilt bakken.
- Bak geen extreem vette ingrediënten, zoals worst, in het apparaat.

#### VOORZICHTIG:

- Dompel het apparaat nooit onder in water en spoel het niet af onder de kraan.
- Voorkom dat er vloeistof het apparaat binnen kan dringen om elektrische schokken of kortsluiting te voorkomen.
- Houd alle ingrediënten in het mandje om contact met de verwarmingselementen te voorkomen.
- Dek de luchtinlaat en -uitlaat niet af als het apparaat in werking is. Laat een vrije ruimte van minstens 10 cm rond en boven het apparaat.
- Vullen van de olie-opvangpan met olie kan brandgevaar opleveren!
- Raak de binnenkant van het apparaat niet aan wanneer in werking.
- Kijk uit voor de hete lucht en stoom wanneer u het mandje uit het apparaat haalt.
- Tijdens de bereiding komt er hete stoom uit de luchtuitlaat. Houd uw handen en gezicht op veilige afstand van de stoom en de luchtuitlaat.
- Schakel het apparaat onmiddellijk uit en haal de stekker uit het stopcontact als donkere rook wordt afgegeven. Dit betekent dat het voedsel te veel is gekookt of het apparaat defect is.

#### BAKTABEL

Deze tabel toont de hoeveelheden van de etenswaren evenals de vereiste temperatuur en tijden. Wanneer de aanwijzingen op de verpakking van het product van de in deze tabel getoonde waarden verschillen, dan moeten de aanwijzingen op de verpakking gevolgd worden.

Voedsel	Min-max hoeveelheid (g)	Tijd (min)	Temperatuur (°C)	Opmerkingen
Dunne diepvriesfriet	300-750	12-16	200	Draai om, indien nodig
Dikke diepvriesfriet	300-750	12-20	200	Draai om, indien nodig
Zelfgemaakte aardappelchips	300-750	18-22	180	Voeg 1/2 el olie toe schud
Biefstuk	100-600	8-12	180	Draai om, indien nodig
Kippendij	100-500	10-14	180	Draai om, indien nodig

Hamburger	100-600	7-14	180	Voeg 1/2 el olie toe schud
Worstenbroodjes	100-800	13-15	200	Voeg 1/2 el olie toe schud
Kippenboutje	100-700	18-22	180	Voeg 1/2 el olie toe schud
Kippenborst	100-700	10-15	180	Draai om, indien nodig
Loempia	100-800	8-10	200	Draai om, indien nodig
Groente	100-800	10	180	

### REINIGEN EN ONDERHOUD

1. Voordat u het apparaat aanpakt of gaat reinigen, dient u het ongeveer 30 minuten af te laten koelen. Reinig het apparaat zowel aan de binnen- als buitenkant grondig.
2. Reinig de binnen- en buitenkant van het apparaat met een vochtige doek en droog deze weer met een schone, zachte doek.
3. Gebruik nooit schurende middelen of sponzen.
4. Verwijder de mand om het apparaat sneller te laten afkoelen. Reinig de mand en het bakrooster met warm water, een beetje afwasmiddel en een zachte spons. Veeg grondig droog voor gebruik.
5. Maak het verwarmingselement binnenin de behuizing schoon (na het uittrekken van de mand) met een schoonmaakborstel om eventuele etensresten te verwijderen.

Opmerking: De mand en het bakrooster zijn vaatwasserbestendig.

### PROBLEEM OPLOSSINGEN

Probleem	Mogelijke oorza(a)k(en)	Oplossing
<b>Het apparaat werkt niet.</b>	De stekker zit niet in het stopcontact.	Steek de stekker in een geaard stopcontact.
	U heeft de timer niet ingesteld.	Draai de knop van de timer naar de gewenste bereidingstijd om het apparaat aan te zetten.
<b>De ingrediënten zijn niet volledig gebakken.</b>	De hoeveelheid voedsel in het mandje is te groot.	Doe minder ingrediënten tegelijk in het mandje. Kleinere hoeveelheden bakken gelijkmatiger.
	De temperatuur is te laag.	Draai de temperatuurregelknop naar de gewenste temperatuur.
<b>De ingrediënten zijn niet gelijkmatig gebakken.</b>	Verschillende soorten levensmiddelen moeten aan de helft van de baktijd geschud worden.	Schud de levensmiddelen aan de helft van de baktijd.
<b>Het mandje kan niet goed in de behuizing geschoven worden.</b>	Er zit te veel voedsel in het mandje.	Doe minder voedsel in het mandje.
<b>Er komt witte rook uit het apparaat.</b>	U bereidt vette ingrediënten.	Tijdens het bakken van vette levensmiddelen, zal er olie in de mand lekken. De olie produceert witte rook en de mand kan warm worden. Dit heeft geen gevolgen voor het bereidingsresultaat of voor het apparaat.
	De mand bevat nog vetresten van het vorig gebruik.	Maak de mand schoon na elk gebruik.

### TECHNISCHE GEGEVENS

Bedrijfsspanning: 220-240V~ 50-60Hz

Vermogen: 1400W

## **GARANTIE EN KLANTENSERVICE**

Vóór de levering worden onze apparaten streng gecontroleerd. Indien het toestel ondanks alle zorg bij de productie of tijdens het transport beschadigd werd, moet u het naar de handelaar terugbrengen. Naast het wettelijke recht op waarborg heeft de klant recht op de volgende garantieclaim:

Wij geven een garantie van 2 jaar op het toestel, te beginnen met de koopdatum. Indien u een defect product heeft, kunt u rechtstreeks terug gaan naar het aankooppunt.

Gebreken die het gevolg zijn van ondeskundig gebruik van het toestel, fouten tijdens ingrepen en reparaties door derden of door de inbouw van vreemde onderdelen, vallen niet onder deze garantie. Bewaar altijd uw aankoopnota, zonder aankoopnota kunt u geen aanspraak maken op enige vorm van garantie. Bij schade veroorzaakt door het niet opvolgen van de gebruiksaanwijzing vervalt het recht op garantie. Voor vervolgschade die hieruit ontstaat kunnen wij niet verantwoordelijk gehouden worden. Voor materiële schade of persoonlijk letsel veroorzaakt door ondeskundig gebruik of het niet opvolgen van de veiligheidsvoorschriften zijn wij niet aansprakelijk. In dergelijke gevallen vervalt iedere aanspraak op garantie. Schade aan accessoires of onderdelen betekend niet dat het gehele apparaat zal worden vervangen. Afgebroken glazen of kunststof onderdelen of accessoires vallen niet onder de garantie en zullen tegen vergoeding vervangen kunnen worden. Defecten aan hulpstukken of aan slijtage onderhevige onderdelen, alsmede reiniging, onderhoud of de vervanging van slijtende delen vallen niet onder de garantie en zullen dus in rekening gebracht worden.

## **MILIEUVRIENDELIJKE AFVALVERWERKING**



Recycling – Europese Richtlijn 2012/19/EU

Deze markering betekent dat dit product niet samen met ander huishoudelijk afval mag worden afgedankt. Om het milieu en de volksgezondheid niet in gevaar te brengen en het hergebruik van grondstoffen te bevorderen, moet dit product op verantwoordelijke wijze worden afgevoerd. Lever verbruikte apparatuur a.u.b. in bij de hiervoor bestemde inzamelpunten of bij de winkel waar het product was aangeschaft. Zij zullen dit product accepteren voor milieuvriendelijke afvalverwerking.

Emerio Holland B.V.  
Zomervaart 1A  
2033 DA Haarlem  
The Netherlands

### **Klantendienst:**

T: +31(0)23 3034369  
E: info.nl@emerio.eu

## **WAŻNE INFORMACJE DOT. BEZPIECZEŃSTWA**

Podczas używania urządzenia elektrycznego, powinno się postępować zgodnie z podstawowymi środkami bezpieczeństwa:

Czytaj wszystkie instrukcje.

1. To urządzenie może być obsługiwane przez dzieci w wieku 8 lat i starsze, osoby z pewnym upośledzeniem fizycznym, czuciowym lub umysłowym, a także osoby niemające doświadczenia, jeśli udzielono im instrukcji w zakresie bezpiecznego używania urządzenia, obsługa urządzenia odbywa się pod nadzorem i osoby te znają zagrożenia z tym związane.
2. Urządzenie nie służy do zabawy przez dzieci.
3. Dzieci mogą wykonywać czynności związane z czyszczeniem i konserwacją tylko pod warunkiem ukończenia 8 lat i tylko pod nadzorem osoby dorosłej.
4. Urządzenie i jego przewód zasilania powinny być przechowywane w z dala od dzieci w wieku poniżej 8 lat.
5. Jeżeli przewód zasilający jest uszkodzony, musi być wymieniony przed producenta lub autoryzowany serwis lub wykwalifikowaną osobę celem uniknięcia niebezpieczeństwa.
6. Dit apparaat is bedoeld voor huishoudelijk - en vergelijkbaar gebruik zoals: personeelskeuken in winkels, kantoren en anderen werkomgevingen; boerderijen; door hotel - motelgasten en andere residentiële omgevingen; bed and breakfast soortgelijke omgevingen.
7. W przypadku uszkodzenia spowodowanego nieprzestrzeganiem instrukcji obsługi, gwarancja wygasa ze skutkiem natychmiastowym. Producent/importer nie przyjmuje odpowiedzialności za szkody spowodowane w wyniku nieprzestrzegania instrukcji obsługi, nieostrożności podczas używania lub użytkowania niezgodnego z niniejszą instrukcją.

8. Produkt ten może być używany tylko zgodnie z informacjami podanymi na tabliczce znamionowej.
9. Ten produkt przeznaczony jest wyłącznie do użytku domowego! Nie jest przeznaczony do używania na otwartej przestrzeni.
10. Nie narażaj produktu na nadmierne zanieczyszczenie i wilgoć.
11. Inny, niż opisany tutaj, sposób użytkowania produktu może prowadzić do niebezpieczeństwa, takiego jak spięcie, pożar lub inne. Nie jest dozwolone jakiegokolwiek modyfikowanie tego produktu, a obudowa nie może być otwierana; w przeciwnym razie produkt nie będzie spełniał odpowiedniej klasy bezpieczeństwa.
12. Nigdy nie podłączaj lub odłączaj produktu mokrymi rękami.
13. Nigdy nie odłączaj wtyczki ciągnąc za przewód zasilający. Odłączaj trzymając zawsze za wtyczkę.
14. Podczas instalacji/czyszczenia upewnij się, że przewód elektryczny nie jest ściśnięty lub uszkodzony.
15. Zawsze odłączaj urządzenie od zasilania i umożliwiaj urządzeniu ostygnięcie: przed schowaniem go; przed czyszczeniem lub serwisowaniem; po użyciu; jeżeli nie zamierzasz go używać przez dłuższy okres czasu.
16. Czyść produkt lekko nawilżoną ścierką.
17. Nigdy nie wymieniaj uszkodzonego przewodu elektrycznego samodzielnie. W przypadku uszkodzenia lub wadliwego działania skontaktuj się z autoryzowanym punktem obsługi celem sprawdzenia, naprawy lub regulacji, do których wymagane są specjalne narzędzia.
18. Upewnij się, że przewód zasilający nie ma styczności z żadnymi elementami generującymi nadmierne ciepło.
19. Jeżeli nie możesz zapewnić bezpiecznego działania produktu, upewnij się, że jest on odłączony i nie używany ponownie. Bezpieczne użytkowanie tego urządzenia nie jest możliwe, gdy: produkt lub przewód zasilający są uszkodzone w jakikolwiek sposób; produkt nie działa; po

dłuższym przechowywaniu w niesprzyjających warunkach;  
po ciężkim uszkodzeniu podczas transportu.

20. Nigdy nie zanurzaj urządzenia lub przewodu w wodzie lub innych cieczach.
21. Urządzenia nie należy nigdy stawiać w kątach oraz bezpośrednio pod materiałami łatwopalnymi takimi jak zasłony, firanki, szafki kuchenne itp.
22. Podczas używania nigdy nie zostawiaj urządzenia bez opieki.
23. Urządzenie nie powinno być sterowane za pomocą zewnętrznych wyłączników czasowych lub innych systemów zdalnie sterowanych.
24. Urządzenie nie jest zaprojektowane do użytku komercyjnego.
25. OSTRZEŻENIE!!

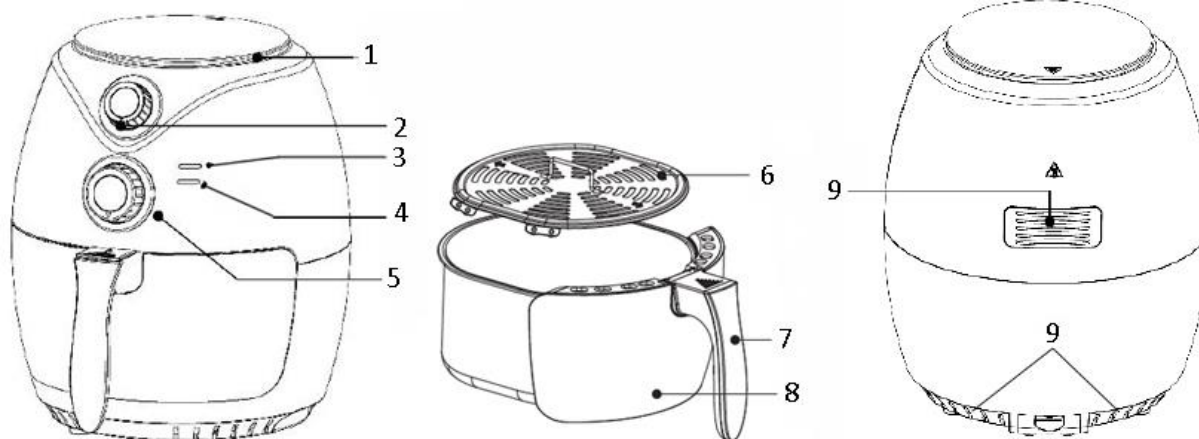


Nie dotykać powierzchni podczas użytkowania. W czasie pracy urządzenia temperatura dostępnych powierzchni może być wysoka.

26. Aby uzyskać informacje dotyczące czyszczenia powierzchni, które mają kontakt z jedzeniem lub olejem, zobacz paragraf "CZYSZCZENIE I KONSERWACJA" znajdujący się w niniejszej instrukcji.



## OPIS CZĘŚCI



- |                                     |                      |
|-------------------------------------|----------------------|
| 1. Wlot powietrza                   | 6. Ruszt do smażenia |
| 2. Pokrętko nastawiania temperatury | 7. Uchwyt kosza      |
| 3. Kontrolka grzania                | 8. Kosz              |
| 4. Kontrolka zasilania              | 9. Wylot powietrza   |
| 5. Pokrętko minutnika               |                      |

## PRZED UŻYCIEM

Przed użyciem prosimy najpierw przeczytać całą instrukcję. Instrukcję należy zachować na przyszłość. Urządzenie należy podłączać tylko do kontaktu z uziemieniem. Przed pierwszym użyciem należy usunąć wszystkie materiały opakowaniowe. Wyczyścić kosz i ruszt do smażenia. (patrz „CZYSZCZENIE I KONSERWACJA”). Wytrzeć urządzenie od środka i od zewnątrz miękką szmatką. Upewnić się, że podzespoły elektryczne pozostają suche. **To urządzenie podgrzewa produkty spożywcze. Większość składników nie wymaga dodawania oleju.**

**Uwaga:** Rusztu do smażenia należy zawsze używać z zakrytymi silikonowymi osłonami. Elementy te pomagają ustabilizować ruszt do smażenia w koszu w czasie pieczenia.

## UŻYTKOWANIE

1. Urządzenie ustawić na suchej i stabilnej powierzchni odpornej na wysokie temperatury.
2. Ponieważ w czasie użytkowania urządzenie nagrzewa się i jest gorące, należy dopilnować, aby nie znajdowało się zbyt blisko innych przedmiotów.
3. Wysunąć z urządzenia kosz – w tym celu pociągnąć za uchwyt kosza. Włożyć ruszt do smażenia do kosza.
4. Włożyć składniki do kosza. Wsunąć kosz do urządzenia. Upewnić się, że są one prawidłowo włożone i całkowicie zamknięte. Inaczej urządzenie nie włączy się. Uwaga: W czasie użytkowania oraz przez krótki czas po użyciu kosza nie wolno dotykać – kosz nagrzewa się i jest bardzo gorący. Kosz należy trzymać wyłącznie za uchwyt.
5. Podłączyć wtyczkę do odpowiedniego kontaktu.
6. Ustawić pokrętko sterowania temperaturą na żądane ustawienie temperatury i przekręcić pokrętko temperatury w żądane położenie. Sprawdzić tabelę temperatury.
7. Przekręcić pokrętko minutnika, aby wybrać odpowiedni czas smażenia. Urządzenie jest włączone i świecą się zarówno kontrolka zasilania jak i kontrolka nagrzewania.
8. W trakcie procesu smażenia w gorącym powietrzu, kontrolka nagrzewania będzie co pewien czas na przemian zapalała się i gasła. Oznacza to, że element grzewczy włącza się i wyłącza, aby utrzymać nastawioną temperaturę.
9. Po zakończeniu pieczenia, rozlegnie się dzwonek. Urządzenie można też wyłączyć ręcznie – wystarczy przekręcić pokrętko w pozycję „0”.

10. Wysunąć z urządzenia kosz – w tym celu pociągnąć za uchwyt kosza. Sprawdzić, czy składniki są gotowe. Jeśli nie, po prostu wsunąć kosz z powrotem do urządzenia i nastawić minutnik na kilka minut dłużej.  
Uwaga: Kosz i składniki są po smażeniu gorące. W zależności od rodzaju składników w urządzeniu, z misy może buchać para.
11. Aby wyjąć składniki zawierające olej lub w których nadmiar oleju zbiera się w czasie smażenia na dnie kosza (np. wołowinę, kurczaka, mięso), należy użyć szczypic i wyjmować składniki po jednym.  
Aby wyjąć składniki w których nie ma nadmiaru oleju zbierającego się w czasie smażenia na dnie kosza (np. frytki lub warzywa), należy wysunąć kosz i przesytać składniki do naczynia.
12. Po zakończeniu smażenia, urządzenie jest natychmiast gotowe do smażenia kolejnej partii składników (w razie potrzeby).

### WSKAZÓWKI DOTYCZĄCE SMAŻENIA

1. Optymalna ilość frytek wynosi 600 gramów.
2. Jeśli urządzenie jest zimne, do czasu przygotowywania należy dodać 3 dodatkowe minuty, ewentualnie można też pozwolić urządzeniu rozgrzać się przez ok. 4 minuty bez wkładania do środka jakichkolwiek składników.
3. Niektóre produkty wymagają potrząśnięcia w połowie czasu przygotowywania. Aby potrząsnąć lub przewrócić produkty, należy wysunąć kosz z urządzenia za uchwyt i potrząsnąć nim lub odwrócić je widelcem (lub szczypcami). Następnie z powrotem wsunąć kosz do urządzenia.
4. Frytownicy można też użyć do podgrzewania składników. Aby odgrzać składniki, temperaturę należy nastawić na 150°C, a czas na 10 minut.
5. Produkty ze skórką z posypką z kruchego ciasta będą bardziej chrupiące, jeśli posmaruje się je olejem roślinnym.
6. Jeśli w urządzeniu ma być pieczone ciasto lub quiche lub inne delikatne składniki, należy włożyć je w formie do pieczenia lub w naczyniu żaroodpornym.
7. W urządzeniu nie należy przyrządzać składników wyjątkowo tłustych takich jak kiełbaski.

### OSTROŻNIE:

1. Obudowy nie należy zanurzać w wodzie ani wkładać pod bieżącą wodę.
2. Należy unikać dostawania się do urządzenia płynów, ponieważ grozi to zwarcieniem i porażeniem prądem.
3. Wszystkie składniki muszą znajdować się w koszu, aby nie było niebezpieczeństwa, że dotkną elementu grzewczego.
4. Gdy urządzenie pracuje, nie należy zastaniać otworów wlotu i wylotu powietrza. Nad górną powierzchnią urządzenia należy zostawić co najmniej 10 cm wolnej przestrzeni.
5. Nalewanie oleju do misy stwarza grozi pożarem!
6. W czasie pracy urządzenia nie należy dotykać wewnętrznych części urządzenia.
7. Podczas wyjmowania kosza z urządzenia należy uważać na gorącą parę i gorące powietrze.
8. W czasie pracy przez wylot powietrza bucha gorąca para. Ręce i twarz należy trzymać w bezpiecznej odległości od wylotu pary i gorącego powietrza.
9. W przypadku pojawienia się czarnego dymu, urządzenie należy natychmiast wyłączyć i odłączyć od zasilania ponieważ oznacza to, że albo produkty przypalają się, albo urządzenie jest niesprawne.

### TABELA SMAŻENIA

W poniższej tabeli zebrano ilości produktów i potrzebne temperatury i czasy smażenia. Jeśli w instrukcji na opakowaniu produktu podane są inne czasy i wartości, należy wówczas postępować zgodnie z instrukcjami na opakowaniu.

Produkt spożywczy	Min-maks. ilość (g)	Czas (min)	Temperatura (°C)	Uwagi
Cienkie frytki mrożone	300-750	12-16	200	W razie potrzeby przekręcić na drugą stronę
Grube frytki	300-750	12-20	200	W razie potrzeby przekręcić na

mrożone				drugą stronę
Domowe frytki z ziemniaków	300-750	18-22	180	Dodać 1/2 łyżki oleju, potrząsnąć
Befszyk	100-600	8-12	180	W razie potrzeby przekręcić na drugą stronę
Kotlety z kurczaka	100-500	10-14	180	W razie potrzeby przekręcić na drugą stronę
Hamburger	100-600	7-14	180	Dodać 1/2 łyżki oleju, potrząsnąć
Parówki w cieście	100-800	13-15	200	Dodać 1/2 łyżki oleju, potrząsnąć
Nóżka kurczaka	100-700	18-22	180	Dodać 1/2 łyżki oleju, potrząsnąć
Piersi z kurczaka	100-700	10-15	180	W razie potrzeby przekręcić na drugą stronę
Sajgonka	100-800	8-10	200	W razie potrzeby przekręcić na drugą stronę
warzywa	100-800	10	180	

### CZYSZCZENIE I KONSERWACJA

1. Przed czyszczeniem urządzenia należy pozwolić, aby ostygło ono przez 30 minut. Urządzenie należy regularnie czyścić od środka i z zewnątrz.
2. Urządzenie należy czyścić od zewnątrz i od środka wilgotną ściereczką. Polerować suchą ściereczką.
3. Nigdy nie należy używać ścierających środków czyszczących lub gąbek.
4. Aby przyspieszyć stygnięcie urządzenia, należy wyjąć kosz. Wyczyścić kosz i ruszt do smażenia – czyścić nierysującą gąbką w gorącej wodzie z płynem do mycia naczyń. Przed użyciem dokładnie wysuszyć.
5. Wyczyścić element grzewczy w obudowie (widać go po wysunięciu kosza), czyścić szczoteczką, aby usunąć wszelkie resztki produktów spożywczych.

Uwaga: Kosz i ruszt do smażenia można myć w zmywarce.

### ROZWIĄZYWANIE PROBLEMÓW

Problem	Możliwa przyczyna	Rozwiązanie
<b>Urządzenie nie działa.</b>	Urządzenie nie jest podłączone do prądu.	Włożyć wtyczkę do uziemionego gniazdka ściennego.
	Nie nastawiono minutnika.	Przekręcić pokrętkę minutnika, aby wybrać odpowiedni czas smażenia i włączyć urządzenie.
<b>Składniki nie są całkowicie dopieczone.</b>	Zbyt dużo produktów spożywczych w koszu.	Włożyć mniejsze partie składników do kosza. Mniejsze partie składników są przysmażone bardziej równomiernie.
	Zbyt niska temperatura.	Przekręcić pokrętkę temperatury na żadaną temperaturę.
<b>Składniki są zapieczone nierówno.</b>	Różne rodzaje produktów mogą wymagać potrząśnięcia i zmiany w połowie czasu.	Potrząsnąć produkty w połowie czasu smażenia.
<b>Kosza nie można prawidłowo wsunąć w obudowę.</b>	Zbyt dużo produktów w koszu.	Włożyć do kosza mniej produktów.
<b>Z urządzenia wydostaje się biały dym.</b>	Użytkownik przygotowuje tłuste produkty.	Podczas smażenia tłustych produktów do kosza kapie olej. Olej wytwarza biały dym, a kosz może się nagrzewać. Nie ma to wpływu na urządzenie ani efekt smażenia.
	W koszu znajduje się tłuszcz jeszcze z poprzedniego użycia.	Wyczyścić kosz po każdym użyciu.

## DANE TECHNICZNE

Napięcie robocze: 220-240V ~ 50-60Hz

Moc: 1400W

## GWARANCJA I SERWIS KONSUMENCKI

Przed dostarczeniem do klienta nasze urządzenia poddawane są rygorystycznej kontroli jakości. Jeśli, pomimo wszelkich starań, podczas produkcji lub transportu pojawi się uszkodzenie, należy zwrócić urządzenie do sprzedawcy. Dodatkowo do stosowanych powszechnie przepisów, nabywca ma prawo do reklamacji na podstawie warunków niniejszej gwarancji:

Dla każdego zakupionego urządzenia zapewniamy 2 lata gwarancji, poczynając od dnia zakupu. Uszkodzony produkt można zwrócić bezpośrednio w punkcie zakupu.

Niniejsza gwarancja nie obejmuje uszkodzeń spowodowanych niewłaściwą obsługą urządzenia, usterek w wyniku modyfikacji i napraw wykonanych przez strony trzecie lub w wyniku użycia nieoryginalnych części. Należy zachować dowód zakupu, który jest jedyną podstawą złożenia roszczenia gwarancyjnego. Producent nie ponosi odpowiedzialności za uszkodzenia powstałe w wyniku nieprzestrzegania instrukcji obsługi. Powoduje to unieważnienie gwarancji. Producent nie ponosi odpowiedzialności za szkody materiałowe ani obrażenia ciała spowodowane niewłaściwą obsługą urządzenia i nieprzestrzeganiem instrukcji obsługi. Uszkodzenie akcesoriów nie oznacza bezpłatnej wymiany całego urządzenia. W takim wypadku prosimy o kontakt z naszym serwisem. Stłuczone elementy szklane lub pęknięte elementy plastikowe są wymieniane za opłatą. Uszkodzenia materiałów eksploatacyjnych lub części podlegających zużyciu, a także czyszczenie, konserwacja i wymienia wspomnianych części nie jest objęta gwarancją i podlega opłacie.

## USUWANIE PRZYJAZNE ŚRODOWISKU



Recykling – Dyrektywa europejska nr 2012/19/UE

Ten znak oznacza, że urządzenia nie należy wyrzucać razem z innymi odpadami domowymi. Aby zapobiec możliwym szkodom dla środowiska i zdrowia ludzi spowodowanym niekontrolowaną utylizacją odpadów, poddaj produkt procesowi recyklingu w celu promowania zrównoważonego

ponownego wykorzystywania zasobów materiałowych. Aby zwrócić zużyte urządzenie, skorzystaj z systemu oddawania zużytych produktów lub skontaktuj się ze sprzedawcą. Sprzedawca może przyjąć produkt w celu przeprowadzenia bezpiecznego dla środowiska recyklingu.

Emerio Holland B.V.  
Zomervaart 1A  
2033 DA Haarlem  
The Netherlands

### Dział obsługi klienta:

T: +31(0)23 3034369

E: info.nl@emerio.eu