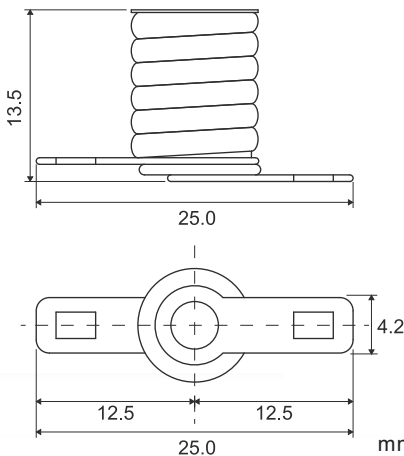
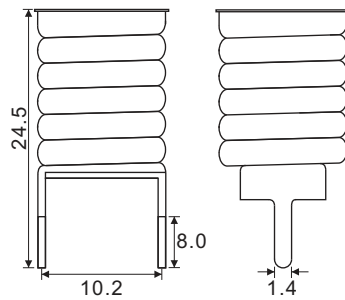
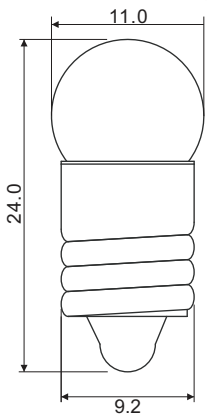
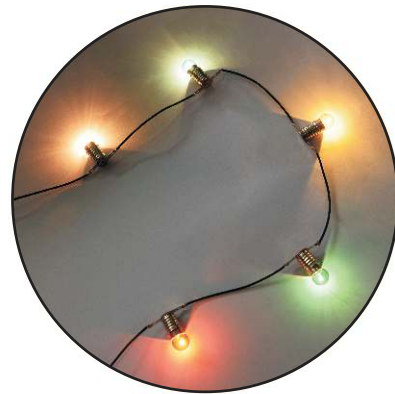


32pcs Lamp bulb assortment with Lamp socket Item No.: 18020016

This small illuminant "colored" E10 ball lamps (6V, 500mA) assortment with the matching lamp holders is ideal for use in the following areas: modeling, model railways or similar.



mm ±0.2



Specification

- Bulb type: G3-1/2
- Base type: E10
- Voltage rating: 6 V /DC
- Current rating: 500mA max.
- Power rating: 3Watt max.

