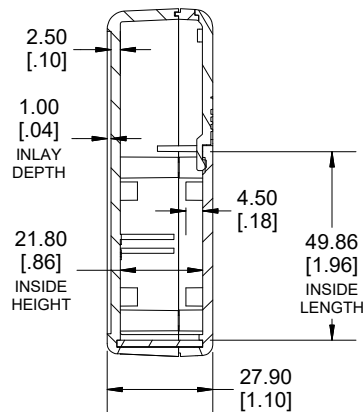
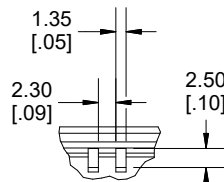


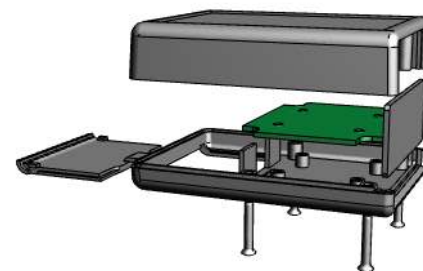
**TOP VIEW**



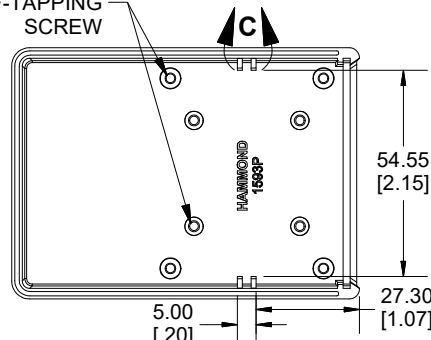
**SECTION B-B  
SIDE VIEW**



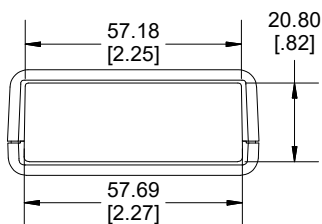
**DETAIL C**



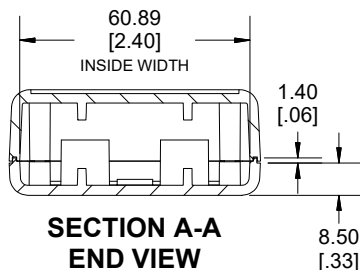
ACCEPTS #4  
SELF-TAPPING  
SCREW



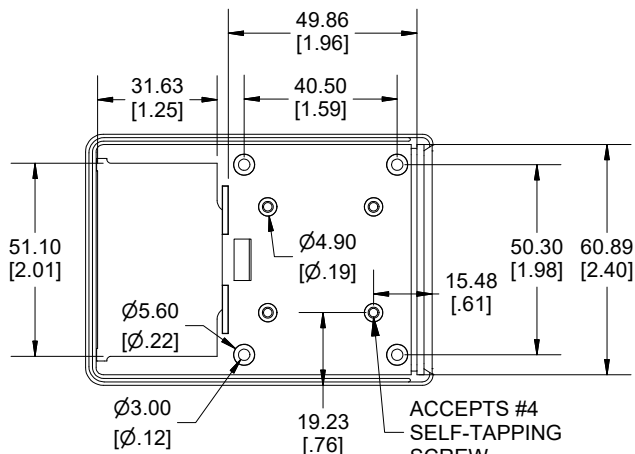
**INSIDE TOP**



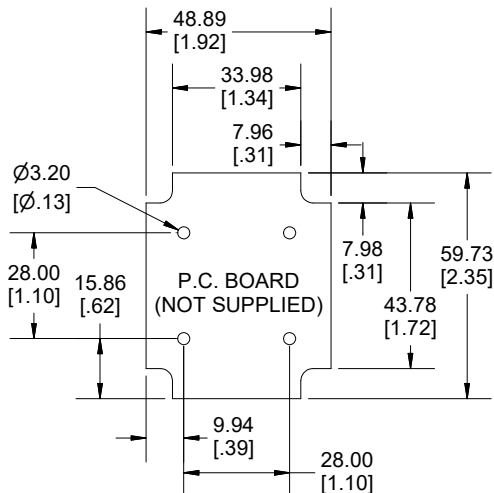
**END VIEW**



**SECTION A-A  
END VIEW**



**INSIDE BOTTOM**



Dimensions:  
mm  
[inches]

Enclosures can be Factory Modified (Milling, Drilling, Printing etc.)  
Contact Factory (modshop@hammfg.com) for quotes  
Solid models of this enclosure available in .stp or .x\_t  
(Part number and text placement/orientation on our products are subject to change,  
we do not recommend using them as a locating reference for modification purposes)

| NOTE   |                      |                 |
|--|----------------------|-----------------|
| Enclosure molded from GP ABS (UL94-HB) plastic.<br>Purchased assembly includes top and bottom cover, 1 plastic flat panel for front,<br>battery door and 4 cover screws. |                      |                 |
| Recommended Cover Screw Torque - 57lbf-in ( 40cN-m)  |                      |                 |
| 1593   |                      |                 |
| 1593P Regular Enclosure  |                      |                 |
| Black Enclosure  | 1593PBK              |                 |
| Grey Enclosure   | 1593PGY              |                 |
| Translucent Blue Enclosure   | 1593PTBU             |                 |
| ACCESSORIES  |                      |                 |
| Cover Screws #4 X 3/4" Self-Tapping (100 Pkg)  | 1593QS100 (Silver)   |                 |
|  | 1593QS100BK (Black)  |                 |
| P.C. Board Screws #4 X 1/4" Self-Tapping   | 1593ATS50 (Pkg 50)   |                 |
|  | 1593ATS100 (Pkg 100) |                 |
| Nylon Belt Clip  | 1599CLIP (Black)     |                 |
|  | 1599CLIPGY (Grey)    |                 |
| 1-AAA Battery Holder (Single)  | BH1AAAW              |                 |
| 2-AAA Battery Holder (Single)  | BH2AAAW              |                 |
| 2-AA Battery Holder (Single)   | BH2AAW               |                 |
| 1-9V Battery Holder (Single)   | BS61                 |                 |
| 1593P STD FLAT PANEL<br>(SINGLE PANEL)   | Black                | 1593PLBK-BULK   |
|  | Grey                 | 1593PLGY-BULK   |
|  | Translucent Blue     | 1593PLTBU-BULK  |
|  | Infrared             | 1593PIR10       |
| 1593P STD CONTOURED PANEL<br>(SINGLE PANEL)  | Aluminum             | 1593PAL10       |
|  | Black                | 1593KLBK-BULK   |
|  | Grey                 | 1593KCLGY-BULK  |
|  | Translucent Blue     | 1593KCLTBU-BULK |

**HAMMOND  
MANUFACTURING**  
1593P  
www.hammondmfg.com