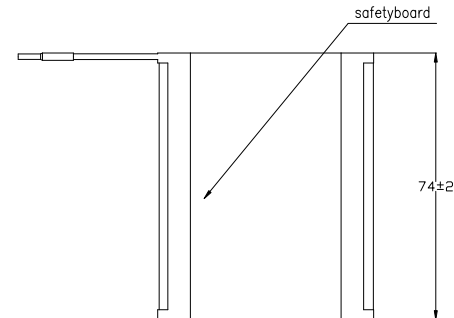
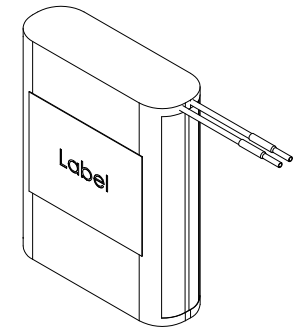
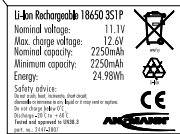
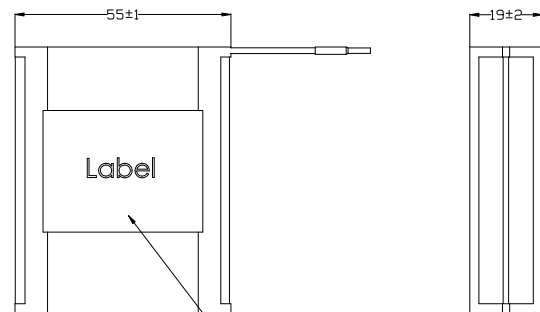
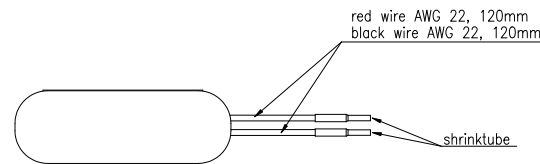


The drawing may not be copied, reproduced or made available to third parties for any use whatsoever without the prior written approval of the manufacturer.

- Technische Daten/  
technical data : Akkupack/  
battery pack
- Chemie/  
chemistry : Li-Ion
- Zellenzahl/  
no. of cells : 3 Zellen/ cells 18650 3S1P
- Kapazität/  
capacity : nom. 2250mAh discharge at 0.2C  
min. 2250mAh discharge at 0.2C  
min. 1800mAh discharge at 1C  
ta:20°C; EV(Discharge End Voltage): 2.75V per cell
- Innenwiderstand/  
impedance : < 165mOhm (battery and safetyboard)
- Nominalspannung/  
nominal voltage : 11.1V
- Standard Ladespannung/  
standard charge voltage : 12.6V±1%
- Standard Entladespannung/  
standard discharge voltage : 8.25V
- Nominaler Ladestrom/  
nominal charge current : 0.5C
- Maximaler Ladestrom/  
maximum charge current : 1C
- Ladeendstrom/  
charge end current : 0.01C recommended
- Maximaler Entladestrom/  
maximum discharge current : 4500mA
- Anwendungstemperaturbereich/  
ambient temperature range : 0°C...+45°C charge  
-20°C...+60°C discharge  
-20°C...+30°C storage max. 1 year  
-20°C...+45°C storage max. 3months
- Selbstentladung/  
self discharge : ≤ 5% / month at20°C  
≤ 10% / month at30°C  
≤ 20% / month at40°C
- Standards/ : UN 3480, Subsection 38.3  
All cells and battery packs type tested according to UN manual of test and criteria subsection 38.3
- Technische Daten/  
technical data : Sicherheitsschaltung/  
safety board
- Überladeschutzspannung/  
over charge voltage detection : 4.35V±25mV per cell
- Wiedereinschaltspannung/  
over charge release voltage : 4.1V±100mV per cell
- Entladeabschaltspannung/  
over discharge detection voltage : 2.4V±80mV per cell
- Wiedereinschaltspannung/  
over discharge release voltage : 3V±150mV per cell
- Nominaler Lade/Entladestrom/  
nominal operating current : 7A
- Entlade Abschaltstrom/  
discharge cut off current : 10A± 2A
- Kurzschlusschutz/  
short circuit protection : gegen äußeren Kurzschluss/  
against external short circuit
- Temperaturschalter/  
temperature switch : ---
- MOSFET : im Pluszweig  
in positive path
- Rückstellkriterium/  
release condition : Last trennen, Aktiv nach Anladen/  
cut load, release after charging up
- Nettogewicht/  
net weight : 155g
- Leiterplattenmaterial/  
pcb material : FR4
- Standards : CE



battery pack covered with 2 layers of shrinktube

Verwendungsbereich/Application range für Anfrage/for inquiry AN-IS-2012-00x		Zul. Abweichung/ Allowable deviation	Oberfläche/ Surface	Maßstab/Scale (DIN A2): 1:1	Gewicht/Weight
		Allgemeintoleranz DIN ISO 2768-m		Werkstoff/Work material, Modell-Nr.	
		2012	Datum/Date Name	Zeichnungsname/Drawing name	
		Erstellt/ Drawn by	10.10	Li-Ion Battery 11.1V 2250mAh with safetyboard	
V1	weight and dimensions updated	15.02.13	SK	Zeichnungsnummer/Drawing number	
V0	---	XX.XXX.XX	XX	2447-3007	
Version	Änderung/Change	Datum/Date Name	Ursprung/Origin Proj. OEM-00	Ersatz für/Replaced by	Ersatz durch/Replaced through

