



Cat.5e RJ45 Plug Connector, shielded

Part no.: MP0003

Technical Features

CAT5e modular plug

Suitable for 8P8C round cables

Shielded plug

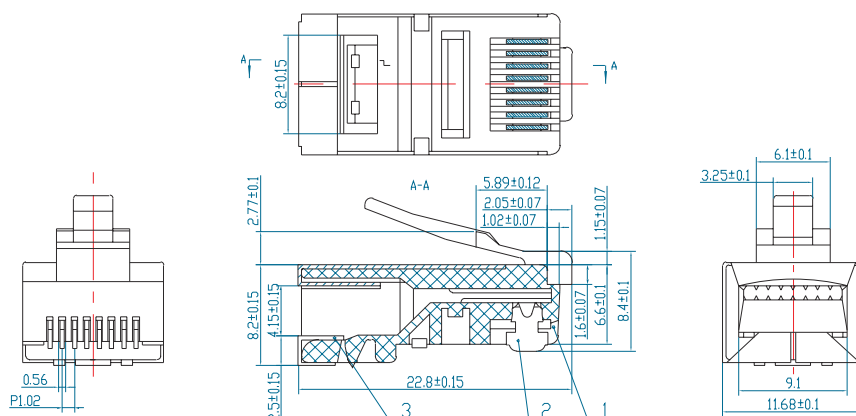
Gold-plated contacts

Diameter of conductor with insulation (PE): 0.85mm up to 0.97mm

Diameter of cable sheath: 4.8mm up to 5.8mm

Packaging unit: 100 pieces

Technical Drawings



MP0003



4 052792 003833

Made in China

www.logilink.com



RoHS
compliant



* The specifications and pictures are subject to change without notice.
*All trade names referenced are the registered trademark of their respective owners.

Package Contents

100pc x Cat.5e RJ45 plug connector

Packaging Informations

Packing Dimension	180 x 220mm
Packing Weight	0.24kg
Carton Dimension	360 x 310 x 260mm
Carton Q'ty	50pcs
Carton Weight	13kg

MP0003



4 052792 003833

Made in China



RoHS
compliant



* The specifications and pictures are subject to change without notice.
*All trade names referenced are the registered namework of their respective owners.