



## Cat.5e Wall Outlet with Surface Box

Art no.: NP0035A

### Technical Features

Category 5e Class D 100MHz

2 x Shielded RJ45, 40° angled

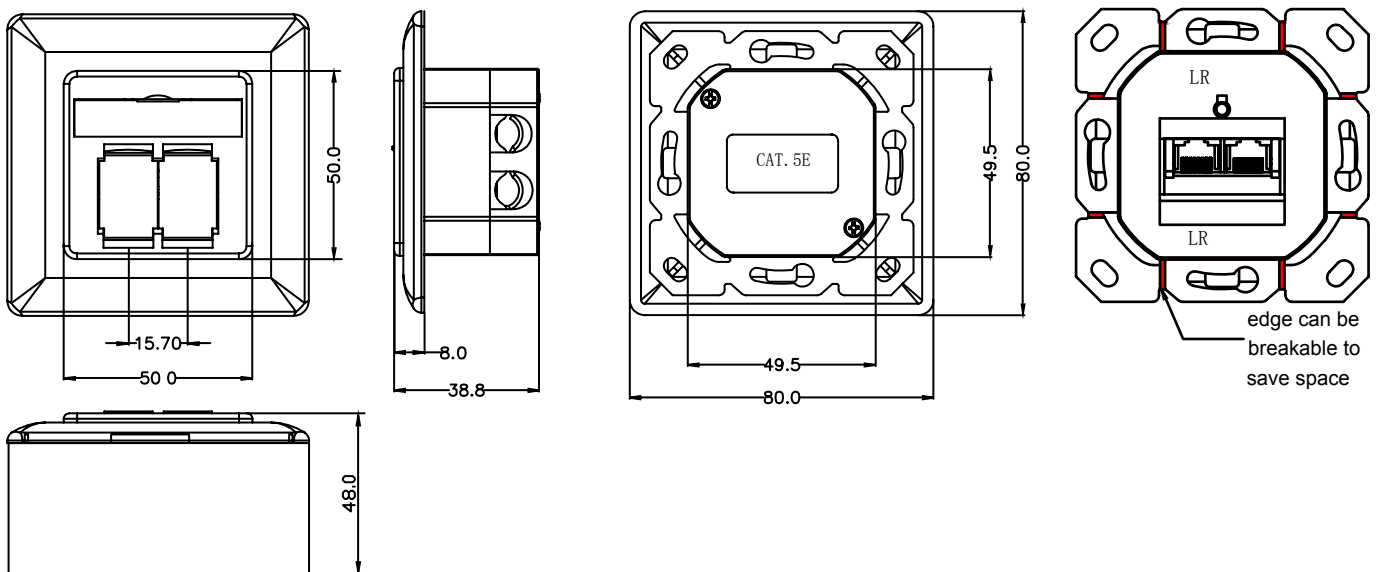
Fully shielded housing

Flush-and surface mount

Supports PoE, PoE+ and PoE++

Color: RAL9003 Signal white

### Technical Drawing



NP0035A



4 052792 034363

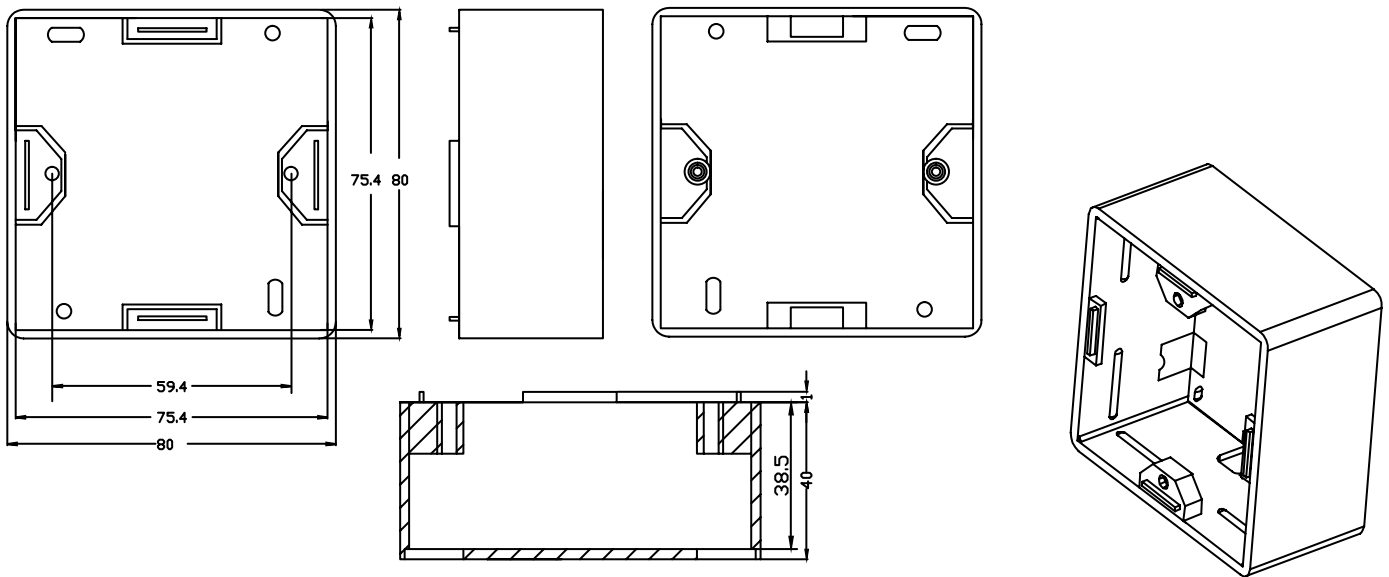
Made in China

[www.logilink.de](http://www.logilink.de)



RoHS  
compliant

\*The specifications and pictures are subject to change without prior notice.  
\*All trade names referenced are the registered trademarks of their respective owners.



## Package Content

Cat.5e Surface Modular Outlet x 1

## Packaging Information

Packing Dimension	85 x 85 x 65mm
Packing Weight	0.252kg
Carton Dimension	360 x 360 x 260mm
Carton Q'ty	64pcs
Carton Weight	16.9kg



NP0035A



4 052792 034363

Made in China

[www.logilink.de](http://www.logilink.de)



RoHS  
compliant

\*The specifications and pictures are subject to change without prior notice.  
\*All trade names referenced are the registered trademarks of their respective owners.