



Microwave Oven

INSTRUCTION MANUAL

MODEL:OM-2011

Read these instructions carefully before using your microwave oven, and keep it carefully.

If you follow the instructions, your oven will provide you with many years of good service.

SAVE THESE INSTRUCTIONS CAREFULLY

PRECAUTIONS TO AVOID POSSIBLE EXPOSURE TO EXCESSIVE MICROWAVE ENERGY

(a) Do not attempt to operate this oven with the door open since this can result in harmful exposure to microwave energy. It is important not to break or tamper with the safety interlocks.

(b) Do not place any object between the oven front face and the door or allow soil or cleaner residue to accumulate on sealing surfaces.

(c) **WARNING:** If the door or door seals are damaged, the oven must not be operated until it has been repaired by a competent person.

ADDENDUM

If the apparatus is not maintained in a good state of cleanliness, its surface could be degraded and affect the lifespan of the apparatus and lead to a dangerous situation.

Specifications

Model:	OM-2011
Rated Voltage:	230V~ 50Hz
Rated Input Power(Microwave):	1050 W
Rated Output Power(Microwave):	700 W
Oven Capacity:	20 L
Turntable Diameter:	∅ 255 mm
External Dimensions:	440x340x259mm
Net Weight:	Approx.10.2 kg

IMPORTANT SAFETY INSTRUCTIONS

WARNING

To reduce the risk of fire, electric shock, injury to persons or exposure to excessive microwave oven energy when using your appliance, follow basic precautions, including the following:

1. Read and follow the specific: "PRECAUTIONS TO AVOID POSSIBLE EXPOSURE TO EXCESSIVE MICROWAVE ENERGY".
2. This appliance can be used by children aged from 8 years and above and persons with reduced physical, sensory or mental capabilities or lack of experience and knowledge if they have been given supervision or instruction concerning use of the appliance in a safe way and understand the hazards involved. Children shall not play with the appliance. Cleaning and user maintenance shall not be made by children unless they are older than 8 and supervised. Children less than 8 years of age shall be kept away unless continuously supervised.
3. Keep the appliance and its cord out of reach of children less than 8 years.
4. If the supply cord is damaged, it must be replaced by the manufacturer, its service agent or similarly qualified persons in order to avoid a hazard. (For appliance with type Y attachment)

5. WARNING: Ensure that the appliance is switched off before replacing the lamp to avoid the possibility of electric shock.
6. WARNING: It is hazardous for anyone other than a competent person to carry out any service or repair operation that involves the removal of a cover which gives protection against exposure to microwave energy.
7. WARNING: Liquids and other foods must not be heated in sealed containers since they are liable to explode.
8. When heating food in plastic or paper containers, keep an eye on the oven due to the possibility of ignition.
9. Only use utensils that are suitable for use in microwave ovens.
10. If smoke is emitted, switch off or unplug the appliance and keep the door closed in order to stifle any flames.
11. Microwave heating of beverages can result in delayed eruptive boiling, therefore care must be taken when handling the container.
12. The contents of feeding bottles and baby food jars shall be stirred or shaken and the temperature checked before consumption, in order to avoid burns.
13. Eggs in their shell and whole hard-boiled eggs should not be heated in microwave ovens since they may explode, even after microwave heating has ended.
14. The oven should be cleaned regularly and any food deposits removed.
15. Failure to maintain the oven in a clean condition could lead to deterioration of the surface that could adversely affect the life of the appliance and possibly result in a hazardous situation.

16. The appliance must not be installed behind a decorative door in order to avoid overheating. (This is not applicable for appliances with decorative door.)

17. Only use the temperature probe recommended for this oven. (for ovens provided with a facility to use a temperature-sensing probe.)

18. The microwave oven shall not be placed in a cabinet unless it has been tested in a cabinet.

19. The microwave oven must be operated with the decorative door open. (for ovens with a decorative door.)

20. This appliance is intended to be used in household and similar applications such as:

-staff kitchen areas in shops, offices and other working environments;

-by clients in hotels, motels and other residential type environments;

-farm houses;

-bed and breakfast type environments.

21. The microwave oven is intended for heating food and beverages. Drying of food or clothing and heating of warming pads, slippers, sponges, damp cloth and similar may lead to risk of injury, ignition or fire.

22. Metallic containers for food and beverages are not allowed during microwave cooking.

23. The appliance shall not be cleaned with a steam cleaner.

24. The appliance is intended to be used freestanding.

25. The rear surface of appliances shall be placed against a wall.

READ CAREFULLY AND KEEP FOR FUTURE
REFERENCE

To Reduce the Risk of Injury to Persons Grounding Installation

DANGER

Electric Shock Hazard
Touching some of the internal components can cause serious personal injury or death. Do not disassemble this appliance.

WARNING

Electric Shock Hazard
Improper use of the grounding can result in electric shock. Do not plug into an outlet until appliance is properly installed and grounded.

This appliance must be grounded. In the event of an electrical short circuit, grounding reduces the risk of electric shock by providing an escape wire for the electric current. This appliance is equipped with a cord having a grounding wire with a grounding plug. The plug must be plugged into an outlet that is properly installed and grounded.

Consult a qualified electrician or serviceman if the grounding instructions are not completely understood or if doubt exists as to whether the appliance is properly grounded. If it is necessary to use an extension cord, use only a 3-wire extension cord.

1. A short power-supply cord is provided to reduce the risks resulting from becoming entangled in or tripping over a longer cord.
2. If a long cord set or extension cord is used:
 - 1)The marked electrical rating of the cord set or extension cord should be at least as great as the electrical rating of the appliance.
 - 2)The extension cord must be a grounding-type 3-wire cord.
 - 3)The long cord should be arranged so that it will not drape over the counter top or tabletop where it can be pulled on by children or tripped over unintentionally.

CLEANING

Be sure to unplug the appliance from the power supply.

1. Clean the cavity of the oven after using with a slightly damp cloth.
2. Clean the accessories in the usual way in soapy water.
3. The door frame and seal and neighbouring parts must be cleaned carefully with a damp cloth when they are dirty.
4. Do not use harsh abrasive cleaners or sharp metal scrapers to clean the oven door glass since they can scratch the surface, which may result in shattering of the glass.
5. Cleaning Tip---For easier cleaning of the cavity walls that the food cooked can touch: Place half a lemon in a bowl, add 300ml (1/2 pint) water and heat on 100% microwave power for 10 minutes. Wipe the oven clean using a soft, dry cloth.

UTENSILS

CAUTION

Personal Injury Hazard

It is hazardous for anyone other than a competent person to carry out any service or repair operation that involves the removal of a cover which gives protection against exposure to microwave energy.

See the instructions on "Materials you can use in microwave oven or to be avoided in microwave oven."

There may be certain non-metallic utensils that are not safe to use for microwaving. If in doubt, you can test the utensil in question following the procedure below.

Utensil Test:

1. Fill a microwave-safe container with 1 cup of cold water (250ml) along with the utensil in question.
2. Cook on maximum power for 1 minute.
3. Carefully feel the utensil. If the empty utensil is warm, do not use it for microwave cooking.
4. Do not exceed 1 minute cooking time.

Materials you can use in microwave oven

Utensils	Remarks
Browning dish	Follow manufacturer's instructions. The bottom of browning dish must be at least 3/16 inch (5mm) above the turntable. Incorrect usage may cause the turntable to break.
Dinnerware	Microwave-safe only. Follow manufacturer's instructions. Do not use cracked or chipped dishes.
Glass jars	Always remove lid. Use only to heat food until just warm. Most glass jars are not heat resistant and may break.
Glassware	Heat-resistant oven glassware only. Make sure there is no metallic trim. Do not use cracked or chipped dishes.
Oven cooking bags	Follow manufacturer's instructions. Do not close with metal tie. Make slits to allow steam to escape.
Paper plates and cups	Use for short-term cooking/warming only. Do not leave oven unattended while cooking.
Paper towels	Use to cover food for reheating and absorbing fat. Use with supervision for a short-term cooking only.
Parchment paper	Use as a cover to prevent splattering or a wrap for steaming.
Plastic	Microwave-safe only. Follow the manufacturer's instructions. Should be labeled "Microwave Safe". Some plastic containers soften, as the food inside gets hot. "Boiling bags" and tightly closed plastic bags should be slit, pierced or vented as directed by package.
Plastic wrap	Microwave-safe only. Use to cover food during cooking to retain moisture. Do not allow plastic wrap to touch food.
Thermometers	Microwave-safe only (meat and candy thermometers).
Wax paper	Use as a cover to prevent splattering and retain moisture.

Materials to be avoided in microwave oven

Utensils	Remarks
Aluminum tray	May cause arcing. Transfer food into microwave-safe dish.
Food carton with metal handle	May cause arcing. Transfer food into microwave-safe dish.
Metal or metal-trimmed utensils	Metal shields the food from microwave energy. Metal trim may cause arcing.
Metal twist ties	May cause arcing and could cause a fire in the oven.
Paper bags	May cause a fire in the oven.
Plastic foam	Plastic foam may melt or contaminate the liquid inside when exposed to high temperature.
Wood	Wood will dry out when used in the microwave oven and may split or crack.

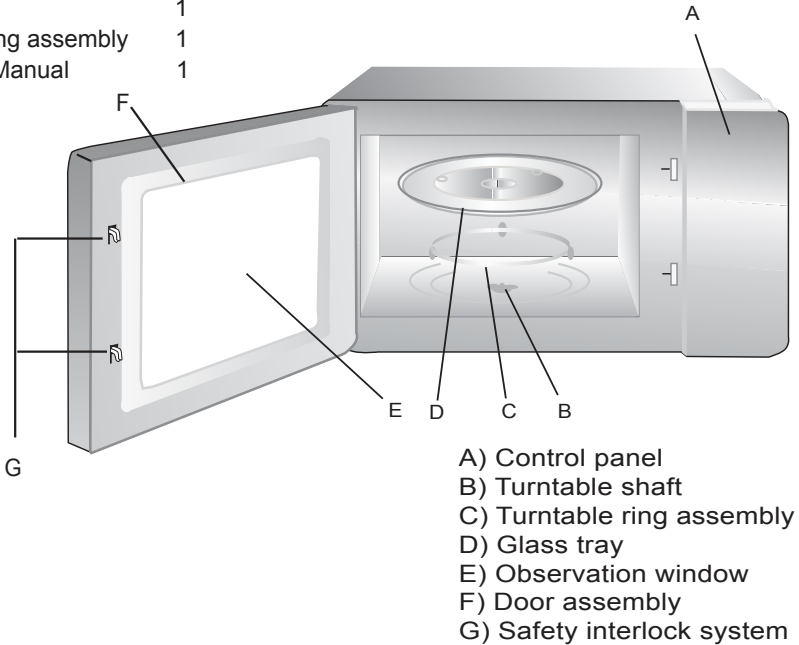
SETTING UP YOUR OVEN

Names of Oven Parts and Accessories

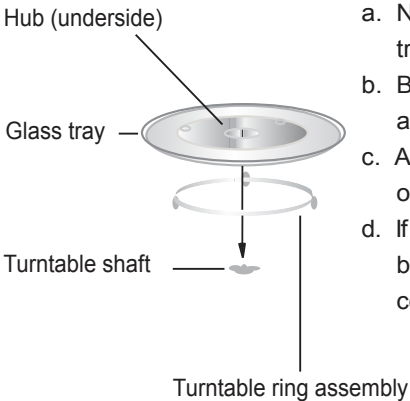
Remove the oven and all materials from the carton and oven cavity.

Your oven comes with the following accessories:

Glass tray	1
Turntable ring assembly	1
Instruction Manual	1



Turntable Installation



- a. Never place the glass tray upside down. The glass tray should never be restricted.
- b. Both glass tray and turntable ring assembly must always be used during cooking.
- c. All food and containers of food are always placed on the glass tray for cooking.
- d. If glass tray or turntable ring assembly cracks or breaks, contact your nearest authorized service center.

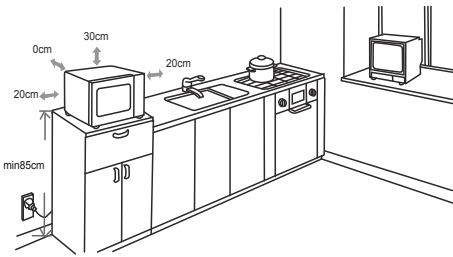
Countertop Installation

Remove all packing material and accessories. Examine the oven for any damage such as dents or broken door. Do not install if oven is damaged.

Cabinet: Remove any protective film found on the microwave oven cabinet surface. Do not remove the light brown Mica cover that is attached to the oven cavity to protect the magnetron.

Installation

1. Select a level surface that provide enough open space for the intake and/or outlet vents.



(1) The minimum installation height is 85cm.

(2) The rear surface of appliance shall be placed against a wall.

Leave a minimum clearance of 30cm above the oven, a minimum clearance of 20cm is required between the oven and any adjacent walls.

(3) Do not remove the legs from the bottom of the oven.

(4) Blocking the intake and/or outlet openings can damage the oven.

(5) Place the oven as far away from radios and TV as possible. Operation of microwave oven may cause interference to your radio or TV reception.

2. Plug your oven into a standard household outlet. Be sure the voltage and the frequency is the same as the voltage and the frequency on the rating label.

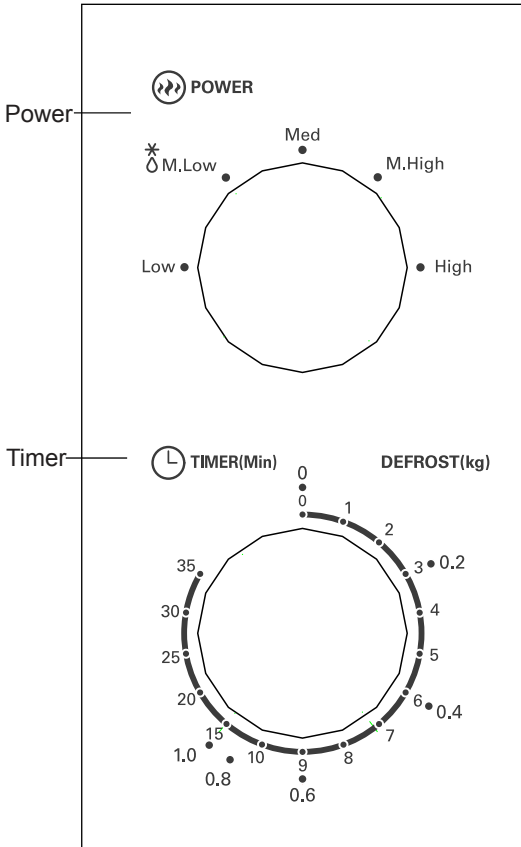
WARNING: Do not install oven over a range cooktop or other heat-producing appliance. If installed near or over a heat source, the oven could be damaged and the warranty would be void.

The accessible surface may be hot during operation.



OPERATION

Control Panel and Features Operation Instructions



1. To set cooking power by turning the power knob to desired level.
2. To set the time of cooking by turning the timer knob to desired time per your food cooking guide.
3. The microwave oven will automatically start cooking after power level and time are set.
4. After the cooking time is up, the unit will "Dong" to stop.
5. If the unit is not in use, always set time to "0".

Function/Power	Output	Application
Low	17% micro.	Soften ice cream
Med. Low (Defrost)	33% micro.	Soup stew, soften butter or defrost
Med.	55% micro.	Stew, fish
Med. High	77% micro.	Rice, fish, chicken, ground meat
High	100% micro.	Reheat, milk, boil water, vegetables, beverage

Notice: When removing food from the oven, please ensure that the oven power is switched off by turning the timer switch to 0 (zero). Failure to do so, and operating the microwave oven without food in it, can result in overheating and damage to the magnetron.

Trouble shooting

Normal	
Microwave oven interfering TV reception	Radio and TV reception may be interfered when microwave oven operating. It is similar to the interference of small electrical appliances, like mixer, vacuum cleaner, and electric fan. It is normal.
Dim oven light	In low power microwave cooking, oven light may become dim. It is normal.
Steam accumulating on door, hot air out of vents	In cooking, steam may come out of food. Most will get out from vents. But some may accumulate on cool place like oven door. It is normal.
Oven started accidentally with no food in.	It is forbidden to run the unit without any food inside. It is very dangerous.

Trouble	Possible Cause	Remedy
Oven can not be started.	(1) Power cord not plugged in tightly.	Unplug. Then plug again after 10 seconds.
	(2) Fuse blowing or circuit breaker works.	Replace fuse or reset circuit breaker (repaired by professional personnel of our company)
	(3) Trouble with outlet.	Test outlet with other electrical appliances.
Oven does not heat.	(4) Door not closed well.	Close door well.



According to Waste of Electrical and Electronic Equipment (WEEE) directive, WEEE should be separately collected and treated. If at any time in future you need to dispose of this product please do NOT dispose of this product with household waste. Please send this product to WEEE collecting points where available.



MIKROWELLENOFEN
BEDIENUNGSANLEITUNG
MODELL: OM-2011

Lesen Sie diese Anleitung sorgfältig durch, bevor Sie Ihren Mikrowellenofen verwenden und bewahren Sie die Anleitung sorgfältig auf.

Wenn Sie die Anleitung beachten, wird Ihnen dieser Ofen für viele Jahre nützlich sein.

BEWAHREN SIE DIESE ANLEITUNGS SORGFÄLTIG AUF

VORKEHRUNGEN, UM EINE MÖGLICHE EXPOSITION GEGENÜBER ÜBERMÄSSIGER MIKROWELLENENERGIE ZU VERMEIDEN

- (a) Versuchen Sie nicht, diesen Ofen mit offener Türe zu betreiben, da dies zu gefährlicher Exposition gegenüber Mikrowellenenergie führen kann. Es ist wichtig, die Sicherheitsverriegelungen nicht aufzubrechen oder zu manipulieren.
- (b) Stellen Sie keinen Gegenstand zwischen die Frontseite und die Türe des Ofens und vermeiden Sie es, dass sich Rückstände von Reinigungsmitteln auf Dichtflächen ansammeln.
- (c) **WARNUNG:** Wenn die Türe oder die Türdichtungen beschädigt sind, darf der Ofen nicht betrieben werden, bis dieser von einer kompetenten Person repariert wurde.

NACHTRAG

Wenn das Gerät nicht in einem sauberen Zustand gehalten wird, kann sich die Oberfläche zersetzen und die Lebensdauer des Gerätes beeinträchtigen und zu einer gefährlichen Situation führen.

Technische Daten

Modell:	OM-2011
Nennspannung:	230V~ 50Hz
Nenneingangsleistung (Mikrowelle):	1050 W
Nennausgangsleistung (Mikrowelle):	700 W
Ofenkapazität:	20 L
Durchmesser des Drehtellers	∅ 255 mm
Außenabmessungen:	440x340x259mm
Gewicht Netto:	ca. 10,2 kg

WICHTIGE SICHERHEITSANWEISUNG WARNUNG

Um das Risiko eines Brandes, elektrischen Schlags, Verletzung von Personen oder Exposition gegenüber übermäßiger Energie des Mikrowellenofens beim Gebrauch des Gerätes zu vermeiden, befolgen Sie die grundlegenden Vorsichtsmaßnahmen, u.a.:

1. Lesen und befolgen Sie konkret: „VORKEHRUNGEN, UM EINE MÖGLICHE EXPOSITION GEGENÜBER ÜBERMÄSSIGER MIKROWELLENENERGIE ZU VERMEIDEN“
2. Dieses Gerät kann von Kindern ab 8 Jahren, von Personen mit reduzierten körperlichen, sensorischen und mentalen Fähigkeiten sowie von Personen mit mangelnder Erfahrung bzw. mangelndem Kenntnisstand bedient werden, wenn sie beaufsichtigt werden oder Anweisungen darüber erhalten haben, wie das Gerät auf sichere Weise zu bedienen ist und die mögliche Unfallgefahr bei Nichteinhaltung verstanden haben. Das Gerät ist kein Spielzeug für Kinder. Reinigung und Wartung durch den Benutzer dürfen nur von Kindern durchgeführt werden, es sei denn, sie sind älter als 8 Jahre oder werden beaufsichtigt. Kinder unter 8 Jahren müssen ferngehalten werden, es sei denn, sie werden ständig überwacht.
3. Halten Sie das Gerät und dessen Kabel außerhalb der Reichweite von Kindern, die jünger als 8 Jahre sind.
4. Sollte das Stromkabel beschädigt sein, so ist es durch den Hersteller, seinen Service-Vertreter oder einer ähnlich qualifizierten Person auszutauschen, um eine Gefährdung zu vermeiden. (Für Geräte mit Y-Anschluss)
5. **WARNUNG:** Stellen Sie sicher, dass das Gerät ausgeschaltet ist, bevor Sie die Lampe austauschen, um einen möglichen elektrischen Schlag zu vermeiden.

6. **WARNUNG:** Es ist für jeden außer einer kompetenten Person gefährlich, Service- oder Reparaturarbeiten auszuführen, bei welchen die Abdeckung entfernt werden muss, die vor der Exposition gegenüber Mikrowellenenergie schützt.
7. **WARNUNG:** Flüssigkeiten und andere Lebensmittel dürfen nicht in versiegelten Behältern erwärmt werden, da diese explodieren können.
8. Behalten Sie den Ofen beim Erwärmen von Lebensmitteln in Plastik- oder Papierbehältern im Auge, da dieser sich möglicherweise entzündet.
9. Verwenden Sie nur Geräte, die zur Verwendung in Mikrowellenöfen geeignet sind.
10. Wenn Rauch austritt, schalten Sie das Gerät aus oder trennen Sie es von der Stromversorgung und halten Sie die Türe geschlossen, um jegliche Flammen zu ersticken.
11. Das Erwärmen von Getränken im Mikrowellenofen kann zu verzögertem eruptivem Sieden führen, gehen Sie daher sorgfältig vor, wenn Sie den Behälter handhaben.
12. Der Inhalt von Babyfläschchen und Babykostgläsern muss umgerührt oder geschüttelt werden und die Temperatur muss von dem Verzehr geprüft werden, um Verbrennungen zu vermeiden.
13. Es dürfen keine Eier in ihrer Schale oder ganze hartgekochte Eier im Mikrowellenofen erwärmt werden, da diese explodieren können auch noch nachdem der Erwärmungsvorgang abgeschlossen ist.
14. Der Ofen muss regelmäßig gereinigt und Speisereste müssen entfernt werden.

15. Wenn Sie es unterlassen, den Ofen sauber zu halten, kann dies zu einem Verschleiß der Oberfläche führen, was die Lebensdauer des Gerätes beeinträchtigt und möglicherweise zu einer gefährlichen Situation führt.
16. Das Gerät darf nicht hinter einer dekorativen Türe eingebaut werden, um eine Überhitzung zu vermeiden. (Dieses Gerät ist nicht zur Verwendung hinter dekorativen Türen geeignet.)
17. Verwenden Sie nur einen für diesen Ofen empfohlenen Temperaturfühler. (Dies gilt für Öfen, die mit einer Vorrichtung für einen Temperaturfühler ausgestattet sind.)
18. Der Mikrowellenofen darf nicht in einen Schrank gestellt werden, es sei denn, er wurde in einem Schrank getestet.
19. Der Mikrowellenofen darf nur verwendet werden, wenn die dekorative Türe geöffnet ist, (für Öfen, die hinter einer dekorativen Türe aufgestellt sind.)
20. Dieses Gerät und ähnliche Geräte sind für den Gebrauch im Haushalt gedacht, wie zum Beispiel:
 - Mitarbeiterküchenbereiche in Geschäften, Büros und anderen Arbeitsumgebungen;
 - Von Kunden in Hotels, Motels und anderen Wohnumgebungen;
 - Bauernhäusern;
 - Bed and Breakfast Umgebungen.
21. Der Mikrowellenofen ist zum Erwärmen von Speisen und Getränken gedacht. Das Trocknen von Speisen oder Kleidung und das Erwärmen von wärmenden Pads, Hausschuhen, Schwämmen, feuchten Tüchern und ähnlichem können zu einer Gefahr von Verletzungen, Entzündungen oder Bränden führen.
22. Metallbehälter für Speisen und Getränke sind für das

Kochen im Mikrowellenofen nicht zulässig.

23. Das Gerät darf nicht mit einem Dampfstrahlreiniger gereinigt werden.
24. Das Gerät ist dazu gedacht, freistehend verwendet zu werden.
25. Die hintere Fläche des Gerätes muss gegen die Wand gestellt werden.

**SORGFÄLTIG LESEN UND FÜR SPÄTERE
VERWENDUNG AUFBEWAHREN**

Reduzieren des Verletzungsrisikos von Personen an der Erdungsanlage

WARNUNG:

Gefahr eines elektrischen Schlags Das Berühren von Komponenten im Inneren des Gerätes kann zu schweren Verletzungen oder zum Tode führen. Bauen Sie dieses Gerät nicht auseinander.

ACHTUNG

Gefahr eines elektrischen Schlags Unsachgemäße Verwendung der Erdung kann zu einem elektrischen Schlag führen. Verbinden Sie das Gerät erst mit der elektrischen Stromversorgung, wenn dieses ordnungsgemäß eingebaut und geerdet ist.

Dieses Gerät muss geerdet werden. Im Falle eines elektrischen Kurzschlusses, verringert die Erdung das Risiko eines elektrischen Schlages, indem es eine Ableitung für den elektrischen Strom bietet. Dieses Gerät ist mit einem Kabel mit einem Erdungskabel mit einem Erdungsstecker ausgestattet. Der Stecker muss in einer Steckdose eingesteckt sein, die ordnungsgemäß eingebaut und geerdet ist.

Konsultieren Sie einen qualifizierten Elektriker oder Kundendiensttechniker, wenn Sie die Erdungsanleitungen nicht vollständig verstehen oder wenn Sie Zweifel haben, ob das Gerät ordnungsgemäß geerdet ist. Wenn es notwendig ist, ein Verlängerungskabel zu verwenden, verwenden Sie nur 3-adrige Verlängerungskabel.

1. Ein kurzes Stromversorgungskabel wird mitgeliefert, um das Risiko sich in einem langen Kabel zu verfangen oder darüber zu stolpern gering zu halten.

2. Wenn ein langer Kabelsatz oder ein Verlängerungskabel verwendet wird:
 - 1) Die angegebene elektrische Leistung des Kabelsatzes oder des Verlängerungskabels muss mindestens der elektrischen Leistung des Gerätes entsprechen.
 - 2) Das Verlängerungskabel muss ein 3-adriges geerdetes Kabel sein.
 - 3) Das lange Kabel muss so verlegt sein, dass es auf der Arbeitsfläche oder der Tischplatte liegt, wo Kinder daran ziehen könnten oder man versehentlich darüber stolpert.

REINIGUNG

Stellen Sie sicher, dass Sie das Gerät von der Stromversorgung trennen.

1. Reinigen Sie die Ofenkammer nach dem Gebrauch mit einem leicht feuchten Tuch.
2. Reinigen Sie die Zubehörteile wie üblich in Seifenwasser.
3. Der Türrahmen und die Dichtung sowie die benachbarten Teile müssen sorgfältig mit einem feuchten Tuch gereinigt werden, wenn diese schmutzig sind.
4. Verwenden Sie keine ätzenden, abrasiven Reinigungsmittel oder scharfe Metallschaber, um das Glas an der Ofentür zu reinigen, da diese die Oberfläche verkratzen könnten, wodurch das Glas zersplittern könnte.
5. Putz-Tipp --- Einfache Reinigung der Kammerwände, mit welchen die gekochten Speisen in Berührung kommen können: Legen Sie eine halbe Zitrone in eine Schüssel, fügen Sie 300ml (1/2 Pint) Wasser hinzu und heizen Sie dies 10 Minuten lang mit 100% der Mikrowellenleistung auf. Wischen Sie den Ofen mit einem weichen, trockenen Tuch aus.

GEBRAUCHSGEGENSTÄNDE

VORSICHT

Verletzungsgefahr

Es ist für jeden außer einer kompetenten Person gefährlich, Service- oder Reparaturarbeiten auszuführen, bei welchen die Abdeckung entfernt werden muss, die vor der Exposition gegenüber Mikrowellenenergie schützt.

S. Anleitung über „Materialien, die Sie in einem Mikrowellenofen verwenden oder nicht in einem Mikrowellenofen verwenden dürfen“. Es gibt einige nicht-metallische Gebrauchsgegenstände, die nicht zur sicheren Verwendung in einem Mikrowellenofen geeignet sind. Im Falle von Zweifeln, können Sie die betreffenden Gebrauchsgegenstände, wie im Folgenden beschrieben, testen.

Test von Gebrauchsgegenständen:

1. Füllen Sie einen mikrowellengeeigneten Behälter mit 1 Tasse kalten Wassers (250ml) zusammen mit dem betreffenden Gebrauchsgegenstand.
2. Stellen Sie den Mikrowellenofen 1 Minute lang auf maximale Leistung.
3. Fassen Sie den Gebrauchsgegenstand an. Wenn der leere Gebrauchsgegenstand warm ist, darf er nicht zum Kochen im Mikrowellenofen verwendet werden.
4. Nicht länger als 1 Minute testen.

Materialien, die Sie im Mikrowellenofen verwenden können

Gebrauchsgegenstände	Anmerkungen
Bräunungsschüssel	Befolgen Sie die Herstelleranweisungen. Die Unterseite der Bräunungsschüssel muss sich mindestens 5mm (3/16 Zoll) über dem Drehteller befinden. Unsachgemäße Verwendung kann zu einer Beschädigung des Drehtellers führen.
Essgeschirr	Nur mikrowellengeeignetes Essgeschirr verwenden. Befolgen Sie die Herstelleranweisungen. Kein rissiges oder angeschlagenes Geschirr verwenden.
Glasbehälter	Entfernen Sie immer den Deckel. Nur zum Erwärmen von Speisen verwenden, bis diese warm sind. Die meisten Glasbehälter sind nicht hitzebeständig und könnten brechen.
Glasgeschirr	Nur hitzebeständiges Glasgeschirr für Öfen verwenden. Achten Sie darauf, dass keine Metallverzierungen am Glasgeschirr sind. Kein rissiges oder angeschlagenes Geschirr verwenden.
Ofenkochbeutel	Befolgen Sie die Herstelleranweisungen. Nicht mit einer Metallverschluss verschließen. Beutel aufschlitzen, damit der Dampf entweichen kann.
Papierteller und -tassen	Nur für kurzes Kochen / Erwärmen verwenden. Den Ofen während des Kochvorgangs nicht unbeaufsichtigt lassen.
Papiertücher	Zum Abdecken der Speisen beim erneuten Erwärmen und zum Aufnehmen von Fett verwenden. Nur bei kurzem Kochen unter Aufsicht verwenden.
Pergamentpapier	Als Abdeckung zur Vermeidung von Spritzern oder als Umhüllung beim Dämpfen verwenden.
KUNSTSTOFF	Nur mikrowellengeeignetes Essgeschirr verwenden. Befolgen Sie die Herstelleranweisungen. Achten Sie auf die Kennzeichnung „mikrowellengeeignet“. Eine Plastikbehälter werden weich, wenn die darin

	enthaltenen Speisen erwärmt werden. „Kochbeutel“ und fest verschlossene Plastiktüten müssen aufgeschlitzt, durchbohrt oder belüftet werden.
Frischhaltefolie	Nur mikrowellengeeignetes Essgeschirr verwenden. Zum Abdecken von Speisen beim Kochen verwenden, um die Feuchtigkeit zurückzuhalten. Die Frischhaltefolie darf die Speisen nicht berühren.
Thermometer	Nur mikrowellengeeignete Thermometer verwenden (Fleisch- und Zuckerthermometer).
Wachspapier	Als Abdeckung zur Vermeidung von Spritzern oder zum Zurückhalten von Feuchtigkeit.
Materialien, die nicht im Mikrowellenofen verwendet werden dürfen	
Gebrauchsgegenstände	Anmerkungen
Aluminiumschale	Kann Funkenbildung verursachen. Speisen in mikrowellengeeignete Schüsseln umfüllen.
Lebensmittelkartons mit Metallgriff	Kann Funkenbildung verursachen. Speisen in mikrowellengeeignete Schüsseln umfüllen.
Metall oder Gebrauchsgegenstände mit Metallverzierung	Metall schirmt die Speise gegen die Mikrowellenenergie ab. Die Metallverzierung kann Funkenbildung verursachen.
Metallverschlüsse	Können Funkenbildung oder einen Brand im Ofen verursachen.
Papiertüten	Kann einen Brand im Ofen verursachen.
Schaumstoff	Schaumstoff kann schmelzen oder die Flüssigkeit im Inneren kontaminieren, wenn dieser hohen Temperaturen ausgesetzt wird.
Holz	Holz trocknet aus, wenn dieses im Mikrowellenofen verwendet wird; es kann splintern oder reißen.

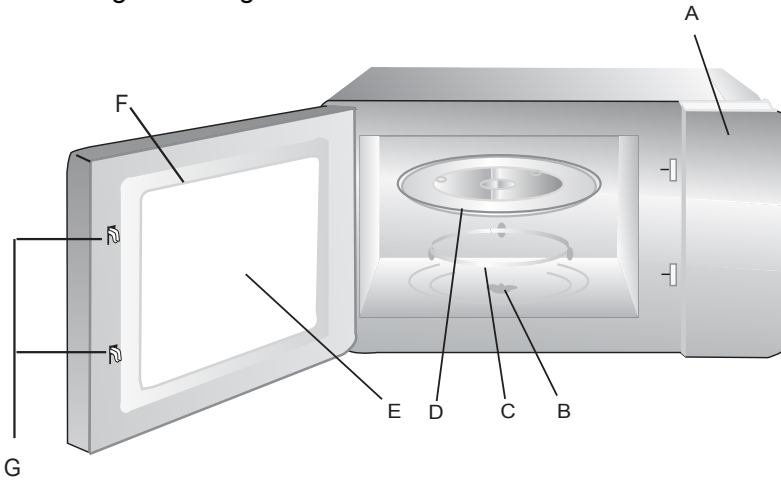
OFEN AUFSTELLEN

Bezeichnungen der Ofenteile und der Zubehöerteile

Entfernen Sie den Ofen und alle Materialien aus dem Karton und der Ofenkammer.

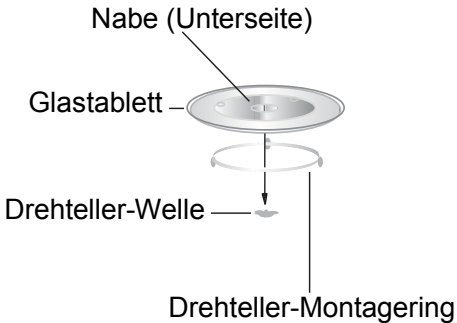
Folgende Zubehöerteile werden mit Ihrem Ofen mitgeliefert:

Glastablett	1
Drehteller-Montagering	1
Bedienungsanleitung	1



- A) Steuerkonsole
- B) Drehteller-Welle
- C) Drehteller-Montagering
- D) Glastablett
- E) Beobachtungsfenster
- F) Türelemente
- G) Sicherheitsverriegelungssystem

Drehtellermontage



- Legen Sie das Glastablett niemals kopfüber. Das Glastablett darf nie eingeeengt werden.
- Beide Glastabletts und der Drehteller-Montagering müssen beim Kochen immer verwendet werden.
- Alle Speisen und Behälter für Speisen müssen immer zum Kochen auf das Glastablett gestellt werden.
- Wenn das Glastablett oder der Drehteller-Montagering reißen oder brechen, kontaktieren Sie Ihr nächstgelegenes autorisiertes Servicezentrum.

Aufstellung auf der Arbeitsfläche

Entfernen Sie das gesamte Verpackungsmaterial und die Zubehörteile.

Prüfen Sie, ob der Ofen beschädigt ist, z.B. Beulen oder eine kaputte Türe.

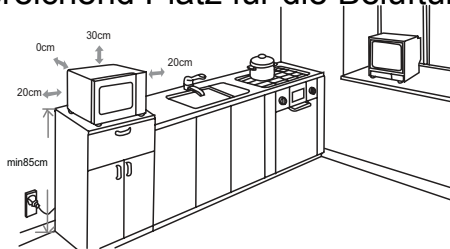
Bauen Sie den Ofen nicht auf, wenn dieser beschädigt ist.

Gehäuse: Entfernen Sie den Schutzfilm von der Gehäuseoberfläche des Mikrowellenofens.

Entfernen Sie die hellbraune Mica-Abdeckung nicht, die in der Ofenkammer angebracht ist, um das Magnetron zu schützen.

Installation

1. Stellen Sie den Mikrowellenofen auf einer ebenen Fläche mit ausreichend Platz für die Belüftungsschlitze auf.



- (1) Die Einbauhöhe beträgt mindestens 85cm.
 - (2) Die hintere Fläche des Gerätes muss gegen die Wand gestellt werden.
Lassen Sie mindestens 30cm Platz über dem Ofen und mindestens 20cm zwischen dem Ofen und den angrenzenden Wänden.
 - (3) Entfernen Sie nicht die Standfüße an der Unterseite des Ofens.
 - (4) Wenn die Belüftungsöffnungen blockiert werden, kann dies zu Schäden am Ofen führen.
 - (5) Stellen Sie den Ofen so weit wie möglich von Radio- und Fernsehgeräten auf. Der Betrieb des Mikrowellenofens kann zu Störungen beim Radio- oder Fernsehempfang führen.
2. Schließen Sie Ihren Ofen an einer Standard-Haushaltssteckdose an. Stellen Sie sicher, dass die Spannung und Frequenz der Spannung und Frequenz auf dem Typenschild entspricht.

WARNUNG: Installieren Sie den Ofen nicht oberhalb des Kochfeldbereichs oder anderer Wärme erzeugender Geräte. Wenn der Mikrowellenofen neben oder über einer Wärmequelle aufgestellt wird, kann dieser beschädigt werden und die Garantie würde unwirksam werden.

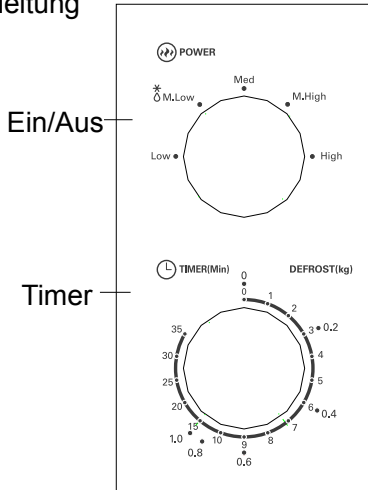
Die zugängliche Fläche kann während des Betriebs heiß werden.



BEDIENUNG

Bedienfeld und Merkmale

Bedienungsanleitung



1. Die Kochleistung wird durch Drehen des Drehknopfs auf die gewünschte Stufe eingestellt.
2. Die Kochzeit wird durch Drehen des Drehknopfs der Zeitschaltuhr auf die gewünschte Zeit entsprechend Ihrer Kochanleitung eingestellt.
3. Der Mikrowellenofen startet den Kochvorgang automatisch, sobald die Leistungsstufe und die Zeit eingestellt sind.
4. Nach Ablauf der Kochzeit stoppt das Gerät mit einem Klingelton.
5. Stellen Sie die Zeit immer auf „0“, wenn das Gerät nicht verwendet wird.

Funktion / Leistung	Ausgangsspannung	Anwendung
Niedrig	17% Mikro	Eiscreme aufweichen
Med Niedrig (Auftauen)	33% Mikro	Suppe, Eintopf, Butter weich werden lassen oder auftauen
Med	55% Mikro	Eintopf, Fisch
Med Hoch	77% Mikro	Reis, Fisch, Hähnchen, Hackfleisch
Hoch	100% Mikro	Wieder aufwärmen, Milch, Wasser kochen, Gemüse, Getränke

Hinweis: Stellen Sie sicher, dass der Ofen ausgeschaltet ist, indem Sie die Zeitschaltuhr auf 0 (Null) stellen, bevor Sie Speisen aus dem Ofen entnehmen). Wenn Sie dies nicht beachten und der Mikrowellenofen eingeschaltet ist, ohne dass sich Speisen darin befinden, kann dies zu einer Überhitzung und Beschädigung des Magnetrone führen.

Problembeseitigung:

Normal	
Der Mikrowellenofen stört den Fernsehempfang.	Der Radio- und Fernsehempfang kann beim Betrieb des Mikrowellenofens gestört werden. Dies ist ähnlich, wie die Störungen, die durch kleine Haushaltsgeräte, wie Mixer, Staubsauger und Ventilatoren verursacht werden. Dies ist normal.
Ofenbeleuchtung verdunkeln	Beim Kochen im Mikrowellenofen mit geringer Leistung, kann sich die Ofenbeleuchtung verdunkeln. Dies ist normal.
Ansammlung von Dampf an der Türe, heiße Luft tritt aus den Entlüftungsöffnungen aus.	Beim Kochvorgang kann Dampf aus den Speisen aufsteigen. Der meiste Dampf tritt aus den Entlüftungsöffnungen aus. Aber etwas Dampf kann sich auch an einer kühlen Stelle, wie zum Beispiel der Ofentür ansammeln. Dies ist normal.
Versehentliches Starten des Kochvorgangs ohne Speisen.	Es ist verboten, das Gerät ohne Speisen zu betreiben. Dies ist sehr gefährlich.

Störung	Mögliche Ursache	Lösungsvorschlag
Der Ofen kann nicht gestartet werden.	(1) Das Stromkabel ist nicht fest eingesteckt.	Trennen Sie das Gerät von der Stromversorgung. Stecken Sie das Gerät nach 10 Sekunden wieder ein.
	(2) Auslösen der Sicherung oder des Schutzschalters.	Tauschen Sie die Sicherung aus oder setzen Sie den Schutzschalter zurück (die Reparatur muss von einem Fachmann Ihres Unternehmens durchgeführt werden)
	(3) Störung an der Steckdose.	Testen Sie die Steckdose mit anderen elektrischen Geräten.
Der Ofen heizt nicht richtig.	(4) Die Türe ist nicht ordnungsgemäß geschlossen.	Schließen sie die Türe richtig.

ALLE RECHTE VORBEHALTEN, URHEBERRECHTE DENVER
ELECTRONICS A/S

DENVER[®]
denver-electronics.com



Elektrische und elektronische Geräte enthalten Materialien, Bauteile und Substanzen, die Ihrer Gesundheit oder der Umwelt schaden können, falls das Abfallmaterial (entsorgte elektrische und elektronische Geräte) nicht ordnungsgemäß entsorgt wird.

Elektrische und elektronische Geräte sind mit einer durchkreuzten Mülltonne gekennzeichnet. Dieses Symbol bedeutet, dass die elektrischen und elektronischen Geräte nicht mit dem restlichen Haushaltsmüll sondern getrennt davon entsorgt werden müssen.

In allen Städten befinden sich Sammelstellen, an denen elektrische und elektronische Geräte entweder kostenlos bei Recyclingstellen abgegeben werden können oder auch direkt eingesammelt werden. Weitere Informationen erhalten Sie bei der Umweltbehörde Ihrer Gemeinde.

Importeur:
DENVER ELECTRONICS A/S
Omega 5A, Soeften
DK-8382 Hinnerup
www.facebook.com/denverelectronics



Mikrobølgeovn
BRUGERVEJLEDNING
Model: OM-2011

Læs denne vejledning omhyggeligt, inden du tager mikrobølgeovnen i brug, og gem vejledningen.

Hvis du følger vejledningen, vil du kunne have glæde af din mikrobølgeovn i mange år frem i tiden.

GEM DENNE VEJLEDNING OMHYGGELIGT

FORHOLDSREGLER TIL FORHINDRING AF UDSÆTTELSE FOR SKADELIGE MÆNGDER MIKROBØLGEENERGI

- (a) Forsøg ikke at bruge ovnen med lågen åben, da du derved kan blive udsat for skadelig mikrobølgeenergi. Det er vigtigt, at ovnens sikkerhedslås ikke sættes ud af kraft eller på anden måde ændres.
- (b) Placér ikke genstande mellem ovnens front og lågen, og lad ikke snavs eller rengøringsmiddel samle sig på forseglingerne.
- (c) ADVARSEL: Hvis lågen eller dens forseglinger beskadiges, må du ikke benytte ovnen, før den er blevet repareret af en autoriseret tekniker.

TILFØJELSE

Hvis dette apparat ikke holdes ordentligt rent, vil dets overflader kunne blive nedbrudt, hvilket kan påvirke apparatets levetid i negativ retning og/eller føre til farlige situationer.

Specifikationer

Model:	OM-2011
Nominel spænding:	230 V ~ 50 Hz
Nominel indgangseffekt (Mikrobølge):	1050 W
Nominel udgangseffekt (Mikrobølge):	700 W
Ovnkapacitet:	20 L
Drejetallerkendiameter	Ø 255 mm
Ydre mål:	440 x 340 x 259 mm
Vægt:	Ca. 10,2 kg

VIGTIGE SIKKERHEDSANVISNINGER OG ADVARSLER

Nedsæt risikoen for brand, elektrisk stød, personskade eller udsættelse for skadelige mængder energi fra mikrobølgeovnen under brugen ved at følge nogle grundlæggende retningslinjer, inkl. følgende:

1. Læs og følg dette: "FORHOLDSREGLER TIL UNDGÅELSE AF UDSÆTTELSE FOR SKADELIGE MÆNGDER MIKROBØLGEENERGI".
2. Dette apparat kan anvendes af børn fra 8 år og opefter samt personer med nedsatte fysiske, sensoriske eller mentale evner eller mangel på erfaring og kendskab til apparatet, såfremt de holdes under opsyn eller har modtaget oplæring vedrørende sikker brug af enheden og forstår den fare, der kan være involveret. Lad ikke børn lege med apparatet. Rengøring og vedligeholdelse bør ikke udføres af børn, med mindre disse er over 8 år og under tilsyn fra en voksen. Børn under 8 år bør holdes på afstand af apparatet, hvis de ikke er under konstant opsyn.
3. Hold apparatet og dets netledning udenfor rækkevidde af børn under 8 år.
4. Hvis netledningen beskadiges, skal den repareres af producenten, dennes serviceagent eller lignende kvalificeret person for at undgå farlige situationer. (Gælder apparater med Y-tilslutning)
5. ADVARSEL: Sørg for, at apparatet er slukket, før du udskifter pæren. Derved undgås risiko for elektrisk stød.
6. ADVARSEL: Det er farligt for personer, der ikke har den relevante uddannelse, at udføre service eller reparationer, der omfatter fjernelse af dæksler, som giver beskyttelse imod mikrobølgeenergien.

7. ADVARSEL: Væske og andre madvarer må ikke opvarmes i forseglede beholdere, da disse kan eksplodere.
8. Ved opvarmning af madvarer i plast- eller papirbeholdere skal du holde øje med ovnen pga. risikoen for antændelse.
9. Brug kun redskaber, der er egnede til mikrobølgeovn.
10. Hvis der kommer røg ud af ovnen, skal du tage stikket ud af kontakten og holde ovnlågen lukket for at kvæle evt. flammer.
11. Opvarmning af drikkevarer i mikrobølgeovn kan medføre forsinket overkogning. Vær derfor særlig opmærksom, når du håndterer beholderen.
12. Indholdet i sutteflasker og glas med babymad skal omrøres eller -rystes, og temperaturen kontrolleres, inden indholdet fortæres, så der ikke forekommer forbrændinger.
13. Æg med skal og hele, hårdkogte æg bør ikke opvarmes i mikrobølgeovn, da de kan eksplodere, selv efter at opvarmningen i mikrobølgeovnen er afsluttet.
14. Ovnen bør rengøres regelmæssigt, og evt. madrester fjernes.
15. Hvis ovnen ikke holdes ren, kan det medføre nedbrydning af dens overflader, som kan påvirke ovnens levetid i negativ retning og muligvis medføre farlige situationer.
16. Apparatet må ikke placeres bag en dekorativ låge, da der derved kan opstå overophedning. (Dette gælder ikke apparater med dekorativ låge).
17. Brug kun et termometer, der er beregnet til brug med mikrobølgeovn. (gælder ovne, der er udstyret til at tillade brug af ovntermometer).

18. Mikrobølgeovnen må ikke placeres i et skab, med mindre den er testet og godkendt til dette.
19. Mikrobølgeovnen må ikke betjenes med den dekorative låge åben (gælder ovne med dekorativ låge).
20. Dette apparat er beregnet til brug i en husholdning eller tilsvarende miljø, som f.eks.:
 - personalekøkkenet i en butik, et kontor eller lignende arbejdsplads
 - af gæsterne på et hotel, motel eller andet hjemmemiljø
 - en bondegård
 - en bed & breakfast-virksomhed.
21. Mikrobølgeovnen er beregnet til opvarmning af mad- og drikkevarer. Tørring af mad eller tøj og opvarmning af varmpuder, hjemmesko, svampe, fugtigt stof eller lignende kan medføre risiko for personskade, antændelse eller brand.
22. Metalbeholdere til mad- og drikkevarer må ikke anvendes ved tilberedning i mikrobølgeovnen.
23. Apparatet må ikke rengøres med en damprens.
24. Apparatet er beregnet til at være fritstående.
25. Placér apparatet med bagsiden ind mod en væg.

LÆS OMHYGGELIGT, OG GEM SOM REFERENCE

Nedsæt risikoen for personskade ved korrekt jordforbindelse af apparatet

FARE

Fare for elektrisk stød - berøring af apparatets indre komponenter kan medføre alvorlig personskade eller død. Skil ikke apparatet ad.

ADVARSEL

Fare for elektrisk stød - manglende korrekt jordforbindelse kan medføre elektrisk stød. Forbind ikke apparatet til en stikkontakt, der ikke har korrekt jordforbindelse.

Dette apparat kræver jordforbindelse. I tilfælde af kortslutning nedsætter jordforbindelsen risikoen for elektrisk stød ved at give strømmen en måde til at undslippe. Dette apparat er udstyret med en ledning med trebenet stikprop (jordforbindelse). Stikproppen skal sættes i en stikkontakt, der er korrekt installeret og har jordforbindelse.

Kontakt en autoriseret elektriker eller tekniker, hvis du ikke har forstået vejledningen i jordforbindelse fuldt ud, eller hvis du er i tvivl om, hvorvidt dit apparat har korrekt jordforbindelse. Hvis det er nødvendigt at anvende en forlængerledning, skal du bruge en ledning af trekablet type.

1. Strømforsyningsledningen er kort, da dette nedsætter risikoen for, at noget hænger fast i den, eller at nogen snubler i en længere ledning.
2. Hvis du anvender en længere ledning eller en forlængerledning:

- 1) Forlængerledningens angivne elektriske rating skal være mindst på højde med apparatets elektriske rating.
- 2) Forlængerledningen skal være af trekablet type med jordforbindelse.
- 3) Den længere ledning skal placeres, så den ikke hænger ud over bordkanten eller befinder sig et sted, hvor børn ved et uheld kan trække i den, eller nogen kan snuble i den.

RENGØRING

Tag stikket ud af kontakten.

1. Rengør ovnrummet efter brug med en let fugtet klud.
2. Rengør tilbehøret på sædvanlig vis i sæbevand.
3. Lågekanten og forseglingerne omkring den skal rengøres omhyggeligt med en fugtig klud, når de er snavsede.
4. Brug ikke skrappe rengøringsmidler eller skarpe metalskrabere til rengøring af ovnlågens glas, da disse kan ridse overfladen, hvilket kan medføre, at glasset springer.
5. Rengøringstip --- Letter rengøringen af ovnrummets vægge, som madvarerne kan komme i berøring med: Læg en halv citron i en skål, tilføj 300 ml vand, og opvarm ved 100 % mikrobølgeeffekt i 10 minutter. Tør ovnen over med en blød, tør klud.

REDSKABER

FORSIGTIG

Fare for personskade

Det er farligt for personer, der ikke har den relevante uddannelse, at udføre service eller reparationer, der omfatter fjernelse af dæksler, som giver beskyttelse imod mikrobølgeenergien.

Se vejledningen i "Materialer, der kan anvendes i en mikrobølgeovn, eller som ikke kan anvendes i en mikrobølgeovn." Der kan findes enkelte ikke-metalliske redskaber, der ikke er sikre til brug i mikrobølgeovn. Hvis du er i tvivl, kan du teste redskabet på følgende måde.

Test af redskaber:

1. Fyld en mikrobølgesikker beholder med en kop koldt vand (250 ml) samt det redskab, du vil teste.
2. Tilbered ved maks. effekt i 1 minut.
3. Føl forsigtigt på redskabet. Hvis det tomme redskab er varmt, bør det ikke anvendes ved tilberedning i mikrobølgeovn.
4. Overskrid ikke tilberedningstiden på 1 minut.

Materialer, der kan anvendes i mikrobølgeovn

Redskaber	Bemærk:
Bruningstallerken	Følg producentens vejledning. Bruningstallerkenens bund skal være mindst 5 mm over drejetallerkenen. Forkert brug kan medføre, at drejetallerkenen knækker.
Tallerkener	Kun mikrobølgesikre typer. Følg producentens vejledning. Brug ikke revnede eller skårne tallerkener.
Glaskrucker	Fjern altid låget. Må kun anvendes til at opvarme maden, til den er varm. De fleste glaskrucker er ikke varmeresistente og kan revne.
Glas	Kun varmeresistent glas til ovnbrug. Må ikke have metalkant. Brug ikke revnede eller skårne tallerkener.
Stegeposer	Følg producentens vejledning. Må ikke lukkes med metalposelukker. Lav et snit, så damp kan slippe ud.
Papirtallerkener og -kopper	Kun til kortvarig tilberedning/opvarmning. Skal overvåges under tilberedningen.
Papirservietter	Kan bruges til afdækning af madvarer ved genopvarmning og til opslugning af fedt. Kun til kortvarig tilberedning under opsyn.
Pergamentpapir	Kan bruges til afdækning for at forhindre stænk eller som indpakning ved dampning.
Plastic	Kun mikrobølgesikre typer. Følg producentens anvisninger. Skal være mærket "Mikrobølgesikker". Visse plastbeholdere bliver bløde, når maden i dem varmes op. "Kogeposer" og tætlukkede plastposer skal snittes, stikkes eller ventileres, som angivet på pakken.
Plastfolie	Kun mikrobølgesikre typer. Kan bruges til

	afdækning af mad under tilberedning for at holde på fugten. Plastfolien må ikke berøre maden.
Termometre	Kun mikrobølgesikre modeller (stege- eller bolchetermometer).
Vokspapir	Kan bruges til afdækning for at forhindre stænk og holde på fugten.
Materialer, der ikke kan anvendes i en mikrobølgeovn	
Redskaber	Bemærk:
Aluminiumsbakker	Kan forårsage lysbue. Flyt maden til en mikrobølgesikker tallerken.
Madbeholder med metalhåndtag	Kan forårsage lysbue. Flyt maden til en mikrobølgesikker tallerken.
Redskaber af metal eller med metalkant	Metal skærmer maden mod mikrobølgeenergien. Metalkant kan forårsage lysbue.
Ståltrådsposelukker	Kan forårsage lysbue og kan forårsage brand i ovnen.
Papirposer	Kan forårsage brand i ovnen.
Plastskum	Plastskum kan smelte eller forurene væsken i beholderen, når det udsættes for høje temperaturer.
Træ	Træ tørrer ud, hvis det anvendes i mikrobølgeovn, og det kan derfor revne.

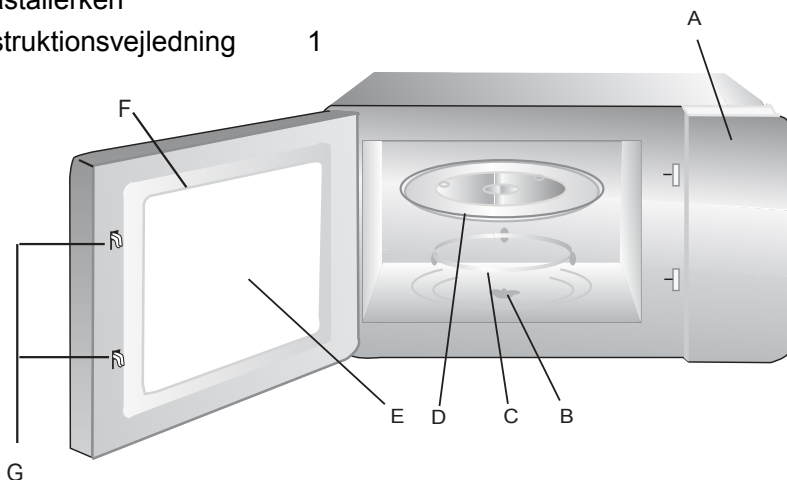
OPSÆTNING AF OVNE

Øversigt over ovnens dele og tilbehør

Tag ovnen og alle materialer ud af kassen, og tøm ovnrummet.

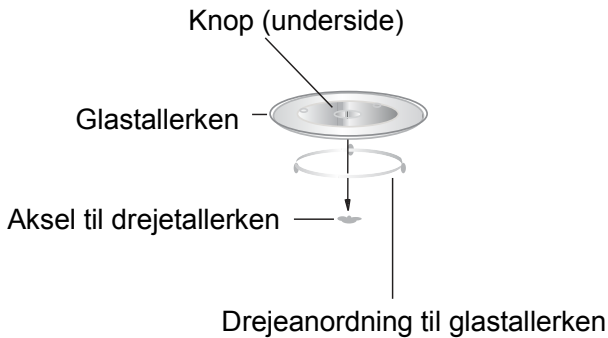
Din ovn leveres med følgende tilbehør:

Glastallerken	1
Drejeanordning til glastallerken	1
Instruktionsvejledning	1



- A) Kontrolpanel
- B) Aksel til drejetallerken
- C) Drejeanordning til glastallerken
- D) Glastallerken
- E) Ovnrudd
- F) Dørsamling
- G) Sikkerhedslåsesystem

Isætning af drejetallerken



- Vend aldrig drejetallerkenen på hovedet. Glastallerkenen skal altid kunne bevæge sig frit.
- Både glastallerken og drejeanordning skal altid anvendes under tilberedning.
- Al mad og madbeholdere skal placeres på glastallerkenen under tilberedningen.
- Hvis glastallerken eller drejeanordning går i stykker, skal du kontakte dit nærmeste autoriserede servicecenter.

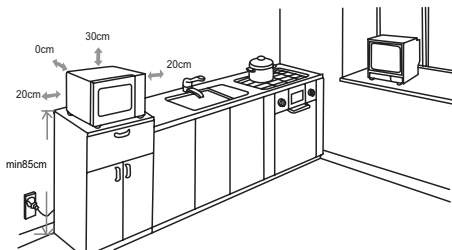
Placering på bord

Fjern alt indpakningsmateriale og tilbehør. Kontrollér ovnen for evt. skader i form af buler eller skade på lågen. Ovnen må ikke benyttes, hvis den er beskadiget.

Kabinet: Fjern al beskyttelsesfolie fra mikrobølgeovnens overflader. Fjern ikke det lysebrune Mica-dæksel, der er fastgjort i ovnrummet til beskyttelse af magnetronen.

Installation

1. Vælg en plan overflade, som giver tilstrækkelig fri luft omkring luftindtag og/eller udluftningsventiler.



- (1) Minimumsinstallationshøjden er 85 cm.
 - (2) Apparatets bagside skal placeres op mod en væg. Sørg for mindst 30 cm frirum over ovnen og mindst 20 cm frirum mellem ovnen og evt. tilstødende vægge.
 - (3) Fødderne på ovnens underside må ikke afmonteres.
 - (4) Blokering af luftindtag og udluftningsventiler kan skade ovnen.
 - (5) Ovnen bør placeres så langt væk fra radio- og tv-apparater, som muligt. Mikrobølgeovne kan forårsage interferens i radio- og tv-modtagelse.
2. Ovnens stik sættes i en almindelig stikkontakt. Sørg for, at netspændingen svarer til den spænding, der er angivet på mærkepladen.

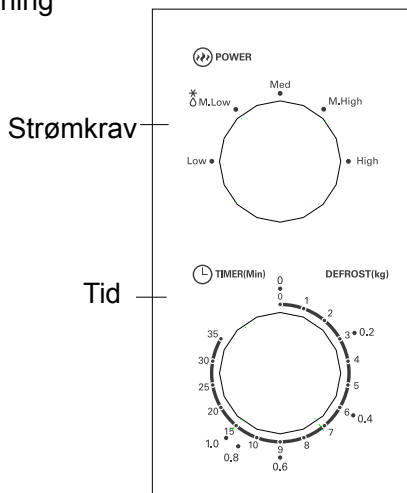
ADVARSEL: Ovnen må ikke installeres over en kogeplade eller et andet apparat, der afgiver varme. Hvis ovnen placeres nær eller over en varmekilde, kan det beskadige ovnen, og garantien vil derved bortfalde.

Tilgængelige overflader på ovnen kan blive varme, når ovnen er i brug.



BETJENING

Kontrolpanel og funktioner Betjeningsvejledning



1. Angiv effekten ved at dreje effektknappen til det ønskede niveau.
2. Angiv tilberedningstiden ved at dreje timerknappen til den ønskede tilberedningstid for dine madvarer iht. tilberedningsguiden.
3. Mikrobølgeovnen starter automatisk tilberedningen, når effekt og tid er angivet.
4. Efter tilberedningen afgiver ovnen et "Ding" og stopper.
5. Når enheden ikke er i brug, skal tidsangivelsen altid være indstillet til "0".

Funktion/effekt	Udgangsspænding:	Anvendelse
Lavt	17 % mikrobølgeeffekt.	Blødgøring af is
Mediumlav (Optøning) [merged with above]	33 % mikrobølgeeffekt.	Suppe, blødgøring af smør eller optøning
Mediumlav (Optøning)	55 % mikrobølgeeffekt.	Sammenkogt ret, fisk
Mediumlav (Optøning) Høj	77 % mikrobølgeeffekt.	Ris, fisk, kylling, hakket kød
Høj	100 % mikrobølgeeffekt.	Genopvarmning, mælk, kogning af vand, grøntsager, drikkevarer

Bemærk Når du tager mad ud af ovnen, skal du sikre dig, at der er slukket for strømmen ved at dreje timerknappen til 0 (nul). Gør du ikke det, men betjener i stedet mikrobølgeovnen uden mad i, kan det medføre overophedning og beskadigelse af magnetronen.

Fejlfinding

Normal	
Mikrobølgeovnen påvirker TV-modtagelsen	Radio- og TV-modtagelse kan blive påvirket, når mikrobølgeovnen kører. Det svarer til den interferens, der kan opstå fra andre, mindre elektriske apparater, som fx elpisker, støvsuger og klima anlæg. Dette er normalt.
Dæmpet lys i ovnen	Ved tilberedning ved lav effekt kan lyset i ovnen blive dæmpet. Dette er normalt.
Damp samles på lågen, varm luft fra udluftningsventilerne	Ved tilberedning kan madvarerne afgive damp. Det meste forsvinder via udluftningsventilerne. Men noget af det kan samle sig på kølige overflader, som fx ovnlågen. Dette er normalt.
Ovnen startede ved et uheld uden mad i.	Det er forbudt at lade ovnen køre, mens der ingen madvarer er i den. Dette er meget farligt.

Problem	Mulig årsag	Løsning
Ovnen kan ikke starte.	(1) Stikket ikke sat korrekt i stikkontakten.	Tag stikket ud. Vent 10 sekunder, og sæt det i igen.
	(2) Sikringen springer, eller afbryderen slår fra.	Udskift sikringen, eller nulstil afbryderen (reparation skal udføres af fagfolk fra vores firma)
	(3) Problem med stikkontakt.	Test stikkontakten ved at tilslutte et andet elektrisk apparat.
Ovnen varmer ikke.	(4) Lågen er ikke korrekt lukket.	Luk lågen korrekt.

ALLE RETTIGHEDER RESERVERET, COPYRIGHT DENVER
ELECTRONICS A/S

DENVER[®]
denver-electronics.com



Elektrisk og elektronisk udstyr indeholder materialer, komponenter og stoffer, der kan være skadelige for menneskers sundhed og for miljøet, hvis affaldet (kasseret elektrisk og elektronisk udstyr) ikke håndteres korrekt.

Elektrisk og elektronisk udstyr er mærket med en overkrydset skraldespand, som vist på symbolet herover. Den symboliserer, at elektrisk og elektronisk udstyr ikke må bortskaffes sammen med usorteret husholdningsaffald, men skal indsamles særskilt.

Alle kommuner har etableret indsamlingsordninger, hvor kasseret elektrisk og elektronisk udstyr gratis kan afleveres af borgerne på genbrugsstationer og andre indsamlingssteder eller bliver afhentet direkte fra husholdningerne. Nærmere information kan fås hos kommunens tekniske forvaltning.

Importør:

DENVER ELECTRONICS A/S

Omega 5A, Søften

DK-8382 Hinnerup

www.facebook.com/denverelectronics



HORNO MICROONDAS
MANUAL DE INSTRUCCIONES
MODELO: OM-2011

Lea detenidamente estas instrucciones antes de usar el horno microondas y consérvelas cuidadosamente.

Si sigue las instrucciones, podrá utilizar el horno durante muchos años.

GUARDE CUIDADOSAMENTE ESTAS INSTRUCCIONES

PRECAUCIONES PARA EVITAR POSIBLE EXPOSICIÓN A UN EXCESO DE ENERGÍA MICROONDAS

- (a) No intente utilizar el horno con la puerta abierta, ya que podría resultar en una exposición perjudicial a la energía microondas. Es importante no romper ni manipular los dispositivos de seguridad.
- (b) No coloque objetos entre la parte frontal del horno y la puerta ni permita que se acumule suciedad o restos del limpiador en las superficies de sellado.
- (c) **ADVERTENCIA:** Si la puerta o los sellos de la puerta estuvieran dañados, no se debe utilizar el horno hasta que una persona cualificada los repare.

ANEXO

Si no se mantiene el aparato en un buen estado de limpieza, su superficie podría degradarse y su vida útil podría verse afectada y provocar una situación peligrosa.

Especificaciones

Modelo:	OM-2011
Tensión nominal:	230 V~ 50 Hz
Potencia nominal de entrada (microondas):	1050 W
Potencia nominal de salida (microondas):	700 W
Capacidad del horno:	20 L
Diámetro del plato giratorio	Ø 255 mm
Dimensiones externas:	440 x 340 x 259 mm
Peso neto:	Aprox. 10,2 kg

INSTRUCCIONES IMPORTANTES DE SEGURIDAD, ADVERTENCIA

Para reducir el riesgo de incendio, descarga eléctrica, lesión para personas o exposición a excesos de energía del horno microondas cuando utilice el aparato, siga las precauciones básicas, entre ellas:

1. Lea y siga estas indicaciones: "PRECAUCIONES PARA EVITAR UNA POSIBLE EXPOSICIÓN A UN EXCESO DE ENERGÍA MICROONDAS".
2. Este aparato pueden usarlo niños a partir de los 8 años de edad y personas con capacidades físicas, sensoriales o mentales reducidas o con falta de conocimientos o experiencia siempre que se les ofrezca supervisión o se les dé instrucciones respecto al uso de aparatos de manera segura y entiendan los riesgos que implica. Los niños no deben jugar con el aparato. La limpieza y el mantenimiento del usuario no deben hacerlo niños salvo que sean mayores de 8 años y estén supervisados. Los niños menores de 8 años no deben acercarse a menos que estén bajo supervisión continua.
3. Mantenga el aparato y su cable fuera del alcance de los niños menores de 8 años.
4. Si el cable de la corriente presenta daños, el fabricante, se agente o personas con una cualificación similar deben sustituirlo para evitar riesgos (para aparatos con el accesorio de tipo Y).
5. **ADVERTENCIA:** Asegúrese de que el aparato esté apagado antes de sustituir la lámpara para evitar posibles descargas eléctricas.
6. **ADVERTENCIA:** Es peligroso que cualquiera salvo una persona competente realice cualquier mantenimiento o reparación que implique la retirada

de la carcasa que le ofrece protección frente a la exposición a la energía microondas;

7. **ADVERTENCIA:** No se debe calentar líquidos ni otros alimentos en recipientes sellados, ya que podrían explotar.
8. Cuando caliente alimentos en recipientes de plástico o papel, esté atento al horno ya que existe la posibilidad de ignición.
9. Use únicamente utensilios que sean aptos para su uso en hornos microondas.
10. Si se emite humo, apague o desenchufe el aparato y mantenga la puerta cerrada para sofocar cualquier llama;
11. El calentamiento al microondas de bebidas puede producir un hervido retardado eruptivo; por lo tanto, se debe tener cuidado cuando maneje el recipiente;
12. Los contenidos de los biberones y los tarros de alimentos infantiles deben mezclarse o agitarse y se debe comprobar la temperatura antes de consumirlos para evitar quemaduras.
13. No se deben calentar en el microondas los huevos con cáscara y los huevos cocidos enteros ya que pueden explotar, incluso después de que haya finalizado el calentamiento con el microondas.
14. El horno debe limpiarse de forma regular y retirar cualquier depósito de alimentos.
15. En caso de no mantener el horno en condiciones de limpieza se puede provocar el deterioro de la superficie que puede afectar negativamente a la vida útil del aparato y probablemente provocar una situación peligrosa.

16. No se debe instalar el aparato detrás de una puerta decorativa para evitar sobrecalentamiento (no aplicable a aparatos con puerta decorativa).
17. Utilice solo la sonda de temperatura recomendada para este horno (para hornos con la posibilidad de utilizar una sonda de detección de temperatura).
18. No se debe colocar el horno microondas en un armario a menos que se haya probado su uso en armarios.
19. El horno microondas debe utilizarse con la puerta decorativa abierta (para hornos con puerta decorativa).
20. Este aparato está diseñado para usarse en aplicaciones domésticas o similares, como:
 - Áreas de personal de cocina en tiendas, oficinas y otros entornos laborales;
 - Por clientes en hoteles, moteles y otros entornos residenciales;
 - Casas rurales;
 - Entornos tipo casas de huéspedes.
21. El horno microondas está diseñado para calentar alimentos y bebidas. El secado de alimentos o ropa y el calentamiento de mantas eléctricas, zapatillas, esponjas, paños húmedos y similares puede provocar el riesgo de lesiones, ignición o incendio.
22. No se debe utilizar recipientes metálicos para alimentos o bebidas al cocinar con el microondas.
23. No se debe limpiar el aparato con un limpiador de vapor.
24. El aparato ha sido diseñado para utilizar de forma independiente.
25. La superficie trasera del aparato debe estar colocada contra una pared.

LÉALO DETENIDAMENTE Y GUÁRDELO COMO REFERENCIA FUTURA

Instalación de tierra para reducir el riesgo de lesión para las personas

PELIGRO:

Riesgo de descarga eléctrica. Tocar algunos componentes internos podría provocar lesiones personales graves o muerte. No desmonte este aparato.

ADVERTENCIA

Riesgo de descarga eléctrica. El uso inadecuado de la conexión a tierra puede provocar una descarga eléctrica. No enchufe el aparato a una toma hasta que esté instalado y conectado a tierra correctamente.

Este aparato debe tener conexión a tierra. En caso de cortocircuito eléctrico, la conexión a tierra reduce el riesgo de descarga eléctrica proporcionando un cable de escape para la corriente eléctrica. Este aparato dispone de un cable con conexión a tierra. Se debe insertar el enchufe en una salida que tenga una instalación y conexión a tierra adecuada.

Consulte con un electricista o técnico de mantenimiento cualificado si no entiende completamente las instrucciones de conexión a tierra o si tiene dudas acerca de si el aparato está conectado a tierra adecuadamente. Si fuera necesario utilizar un alargador, utilice solo alargadores de 3 cables.

1. Se incluye un cable de alimentación corto para reducir el riesgo de enredos o tropiezos con un cable largo.

2. Si se utiliza un cable largo o un alargador:
 - 1) El valor eléctrico marcado del cable o alargador debe ser al menos igual de alto que el valor nominal eléctrico del aparato.
 - 2) El alargador debe tener 3 cables y conexión a tierra.
 - 3) El cable largo debe colocarse de forma que no cuelgue de la encimar o mesa donde niños puedan estirar de él o tropezar por accidente.

LIMPIEZA

Asegúrese de desenchufar el aparato de la alimentación.

1. Limpie el hueco del horno después de usarlo con un trapo ligeramente húmedo.
2. Limpie los accesorios de la forma habitual con agua jabonosa.
3. El marco y el sello de la puerta y las partes vecinas deben limpiarse minuciosamente con un trapo húmedo cuando se ensucien.
4. No use limpiadores abrasivos duros o rayadores metálicos afilados para limpiar el cristal de la puerta del horno ya que pueden rayar la superficie, lo que puede provocar el resquebrajamiento del cristal.
5. Consejo de limpieza. Para limpiar más fácilmente las paredes del hueco que puedan tocar los alimentos cocinados: Coloque medio limón en un recipiente, añada 300 ml de agua y caliéntelo en el microondas con la potencia al 100% durante 10 minutos. Limpie el horno utilizando un trapo suave y seco.

UTENSILIOS

PRECAUCIÓN

Riesgo de lesión personal

Es peligroso que cualquiera salvo una persona competente realice cualquier mantenimiento o reparación que implique la retirada de la carcasa que le ofrece protección frente a la exposición a la energía microondas;

Consulte las instrucciones de “Materiales que pueden utilizarse o que deben evitarse en un horno microondas”. Hay ciertos utensilios no metálicos que no son seguros para calentar con microondas. Si tiene dudas, puede probar el utensilio en cuestión con el procedimiento siguiente.

Prueba del utensilio:

1. Llene un recipiente que pueda utilizarse en microondas con 1 taza de agua fría (250 ml) junto con el utensilio en cuestión.
2. Cocina a máxima potencia durante 1 minuto.
3. Toque cuidadosamente el utensilio. Si el utensilio vacío está caliente, no lo utilice para cocinar en el microondas.
4. No cocine durante más de 1 minuto.

Materiales que pueden utilizarse en el microondas

Utensilios	Comentarios
Plato dorados	Siga las instrucciones del fabricante. La base del plato para dorar debe estar al menos por 5 mm por encima del plato giratorio. Un uso incorrecto podría provocar que el plato giratorio se rompa.
Vajilla	Solo apta para microondas Siga las instrucciones del fabricante. No utilice platos agrietados o astillados.
Jarras de cristal	Retire siempre la tapa. Utilícelas solo para calentar los alimentos hasta que estén cálidos. La mayoría de jarras de cristal no son resistentes al calor y podrían romperse.
Cristalería	Solo cristalería para hornos resistente al calor. Asegúrese de que no tenga embellecedores metálicos. No utilice platos agrietados o astillados.
Bolsas para cocinar en horno	Siga las instrucciones del fabricante. No las cierre con ligaduras metálicas. Haga cortes para permitir que salga el vapor.
Platos y tazas de papel	Utilícelos solo para cocinar/calentar poco rato. No deje el horno sin supervisión mientras cocina.
Toallitas de papel	Utilícelas para cubrir los alimentos para recalentar y absorber la grasa. Utilícelos con supervisión cocinando durante poco rato.
Papel de pergamino	Utilícelo como cobertura para evitar salpicaduras o un envoltorio para cocer al vapor.
PLÁSTICO	Solo apta para microondas Siga las instrucciones del fabricante. Debe tener la etiqueta “Seguro para usar en microondas”. Algunos recipientes de plástico se ablandan a medida que los alimentos que contienen se calientan. Las “bolsas de hervir” y bolsas de plástico bien cerradas deben tener

	cortes, agujeros o ranuras según se indica en el envase.
Envoltorio de plástico	Solo apta para microondas Utilícelo para cubrir los alimentos durante la cocción para retener la humedad. No permita que el envoltorio de plástico toque el alimento.
Termómetros	Solo los aptos para microondas (termómetros de carne o dulces).
Papel encerado	Utilícelo como cobertura para evitar salpicaduras y retener la humedad.
Materiales que deben evitarse en un horno microondas	
Utensilios	Comentarios
Bandeja de aluminio	Puede provocar arcos voltaicos. Pase los alimentos a un plato que pueda utilizarse en microondas.
Caja de alimentos con asa metálica	Puede provocar arcos voltaicos. Pase los alimentos a un plato que pueda utilizarse en microondas.
Utensilios metálicos o con embellecedores metálicos	El metal protege los alimentos de la energía microondas. Los embellecedores metálicos podrían provocar arcos voltaicos.
Alambres metálicos	Podría provocar arcos voltaicos y un incendio en el horno.
Bolsas de papel	Podrían provocar un incendio en el horno.
Espuma plástica	La espuma plástica podría fundirse o contaminar el líquido que contiene al exponerse a temperatura elevadas.
Madera	La madera se secará si se usa en el horno microondas y podría partirse o agrietarse.

CONFIGURAR EL HORNO

Nombres de las piezas y accesorios del horno

Retire el horno y todos los materiales de la caja y el hueco del horno.

El horno viene con los siguientes accesorios:

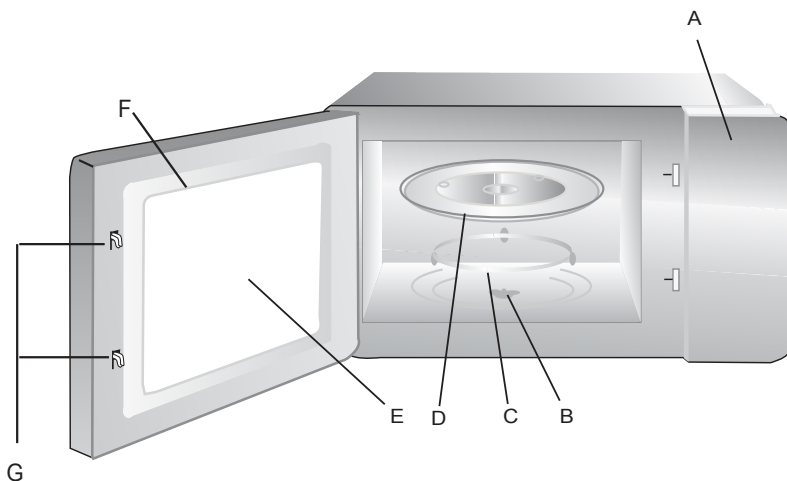
Bandeja de cristal 1

Conjunto del aro del

plato giratorio

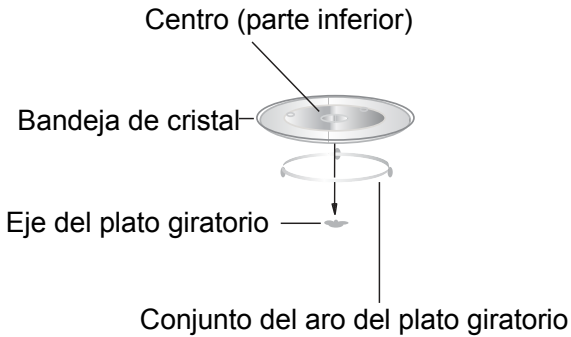
Manual de 1

instrucciones



- A) Panel de control
- B) Eje del plato giratorio
- C) Conjunto del aro del plato giratorio
- D) Bandeja de cristal
- E) Ventana de observación
- F) Conjunto de la puerta
- G) Sistema de seguridad

Instalación del plato giratorio



- Nunca coloque la bandeja de cristal boca abajo. La bandeja de cristal no debe estar limitada.
- Durante la cocción deben utilizarse tanto la bandeja de cristal como el conjunto del aro del plato giratorio.
- Todos los alimentos y recipientes de alimentos deben colocarse siempre sobre la bandeja de cristal para cocinarlos.
- Si la bandeja de cristal o el conjunto del aro del plato giratorio se agrietan o rompen, póngase en contacto con su centro de mantenimiento autorizado más cercano.

Instalación sobre una encimera

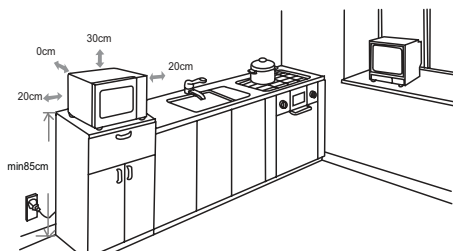
Retire todo el material de embalaje y los accesorios. Examine el horno en busca de daños, como abolladuras o una puerta rota. No instale el horno si está dañado.

Armario: Retire las películas protectoras que haya en la superficie del armario del horno microondas.

No retire la cubierta de mica marrón clara que hay en el hueco del horno para proteger el magnetrón.

Instalación

1. Elija una superficie nivelada que ofrezca un espacio abierto suficiente para los conductos de entrada y/o salida.



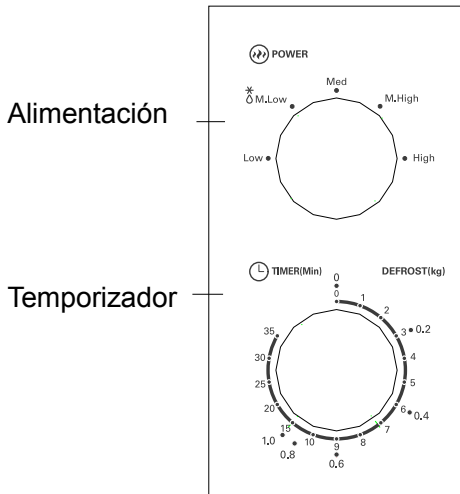
- (1) La altura de instalación mínima es de 85 cm.
 - (2) La superficie trasera del aparato debe colocarse contra una pared.
Deje una separación mínima de 30 cm sobre el horno y una separación mínima de 20 cm entre el horno y las paredes adyacentes.
 - (3) No retire las patas de la parte inferior del horno.
 - (4) Bloquear las aperturas de entrada y/o salida puede dañar el horno.
 - (5) Coloque el horno lo más lejos posible de radios y televisores. El funcionamiento del horno microondas podría provocar interferencias en la recepción de radio o TV.
2. Enchufe el horno a una toma doméstica estándar. Asegúrese de que la tensión y la frecuencia sea la misma que las indicadas en la etiqueta de clasificación.

ADVERTENCIA: No instale el horno encima de una placa de cocción ni otros aparatos que produzcan calor. Si se instala cerca o encima de una fuente de calor, el horno podría resultar dañado y la garantía quedaría invalidada.
La superficie caliente podría calentarse durante el funcionamiento.



FUNCIONAMIENTO

Panel de control y características Instrucciones de funcionamiento



1. Para ajustar la potencia de cocción, gire la rueda de potencia al nivel deseado.
2. Para ajustar el tiempo de cocción gire la rueda del temporizador al tiempo deseado según su libro de recetas.
3. El horno microondas comenzará a cocinar automáticamente después de ajustar el nivel de potencia y el tiempo.
4. Cuando termine el tiempo de cocción, sonará un timbre de la unidad al detenerse.
5. Si no utiliza la unidad, ajuste siempre el tiempo en "0".

Función/Potencia	Salida	Aplicación:
Bajo	17% micro.	Derretir helado
Med Bajo (descongelar)	33% micro.	Caldo de sopa, fundir mantequilla o descongelar
Med	55% micro.	Estofado, pescado
Med Alto	77% micro.	Arroz, pescado, pollo, carne picada
Alto	100% micro.	Recalentar, leche, hervir agua, verduras, bebidas

Aviso: Al retirar los alimentos del horno, asegúrese de que el horno esté apagado girando el interruptor del temporizador a 0 (cero). De lo contrario, y al utilizar el horno microondas sin alimentos dentro, podría provocar daños al magnetrón.

Problemas y soluciones:

Normal	
El horno microondas interfiere en la recepción de TV	La recepción de radio y TV podría recibir interferencias cuando el horno microondas esté funcionando. Es similar a la interferencia de pequeños aparatos eléctricos, como batidoras, aspiradoras y ventiladores eléctricos. Es normal.
Luz del horno tenue	Al cocinar en el microondas a baja potencia, la luz del horno podría atenuarse. Es normal.
Hay vapor acumulado en la puerta y sale aire caliente de los conductos de ventilación.	Al cocinar, podría salir vapor de los alimentos. La mayor parte saldrá por las ranuras de ventilación. Algo de vapor podría acumularse en lugares fríos, como la puerta del horno. Es normal.
El horno se ha encendido accidentalmente sin alimentos dentro.	No se debe utilizar la unidad sin alimentos dentro. Es muy peligroso.

Problema	Posible causa	Solución
El horno no se enciende.	(1) El cable eléctrico no está enchufado con firmeza.	Desenchufe. Enchufe otra vez pasados 10 segundos.
	(2) El fusible salta o el interruptor se activa.	Sustituya el fusible o restablezca el interruptor (reparado por personal profesional de nuestra empresa)
	(3) Problemas con la toma.	Pruebe la toma con otros aparatos eléctricos.
El horno no calienta.	(4) La puerta no cierra bien.	La puerta cierra bien.

TODOS LOS DERECHOS RESERVADOS, COPYRIGHT DENVER
ELECTRONICS A/S

DENVER[®]
denver-electronics.com

CE



Los equipos eléctricos y electrónicos contienen materiales, componentes y sustancias que pueden ser nocivas para su salud y el medioambiente si no se maneja correctamente el material de desecho (equipo eléctrico y electrónico desechado).

Los equipos eléctricos y electrónicos aparecen marcados con un símbolo de cubo de basura tachado; véase arriba. Este símbolo significa que los equipos eléctricos y electrónicos no deben eliminarse con el resto de residuos domésticos, sino que deben eliminarse de forma separada.

Todas las ciudades disponen de puntos de recogida establecidos, donde bien se puede enviar los equipos eléctricos y electrónicos de forma gratuita en las estaciones de reciclaje u otros puntos de reciclaje, o que se le recojan de sus domicilios. Puede obtener información adicional en el departamento técnico de su ciudad.

Importador:

DENVER ELECTRONICS A/S

Omega 5A, Soefthen

DK-8382 Hinnerup

www.facebook.com/denverelectronics



Mikroaaltouuni
KÄYTTÖOHJE
MALLI: OM-2011

Lue nämä ohjeet huolellisesti ennen mikroaaltouunin käyttöä ja säilytä ne tallessa.

Jos noudatat ohjeita, uunisi palvelee sinua monta vuotta virheettömästi.

SÄILYTÄ NÄMÄ OHJEET TALLESSA

VAROTOIMET, JOIDEN AVULLA VÄLTÄT MAHDOLLISEN LIIALLISEN ALTISTUKSEN MIKROAALTOENERGIALLE

- (a) Älä yritä käyttää tätä uunia sen ovi auki, koska tämä aiheuttaa vaarallisen altistumisen mikroaaltoenergialle. On tärkeätä olla rikkomatta tai peukaloimatta turvalukituksia.
- (b) Älä laite mitään esinettä uunin etupuolen ja oven väliin tai anna lian tai puhdistusainejäämien kertyä tiivistepinnoille.
- (c) VAROITUS: Jos ovi tai oven tiivisteet ovat vioittuneet, uunia ei saa käyttää, ennen kuin se on korjattu pätevän henkilön toimesta.

LISÄYS

Jos laitetta ei pidetä siistinä, sen pinta voi haurastua ja vaikuttaa laitteen käyttöikään ja johtaa vaaralliseen tilanteeseen.

Tekniset tiedot

Malli:	OM-2011
Nimellisjännite:	230 V~ 50 Hz
Nimellistuloteho (mikroaalto):	1050 W
Nimellislähtöteho (mikroaalto):	700 W
Uunin kapasiteetti:	20 L
Kääntölevyn halkaisija	Ø 255 mm
Ulkomitat:	440x340x259 mm
Nettopaino:	Noin 10,2 kg

TÄRKEITÄ TURVAOHJEITA JA VAROITUKSIA

Tulipalon, sähköiskun, henkilövamman tai liialliselle mikroaaltoenergialle altistumisen riskin vähentämiseksi laitetta käytettäessä on noudatettava perusvarotoimia, mukaan lukien seuraavat:

1. Lue ja noudata erityisesti: "VAROTOIMET, JOIDEN AVULLA VÄLTÄT MAHDOLLISEN LIALLISEN ALTISTUKSEN MIKROAALTOENERGIALLE".
2. Laitetta saavat käyttää yli 8-vuotiaat lapset ja henkilöt, joiden fyysinen, aistinvarainen tai henkinen toimintakyky on rajoittunut tai joilla ei ole tarvittavaa kokemusta ja tietoa, jos heitä valvotaan tai opastetaan laitteen turvalliseen käyttöön, ja he ymmärtävät käyttöön liittyvät vaarat. Lapset eivät saa leikkiä laitteella. Lapset eivät saa tehdä puhdistus- ja kunnossapitotoimia, elleivät he ole yli 8-vuotiaita ja aikuisten valvonnassa. Alle 8-vuotiaat lapset on pidettävä pois laitteen luota, elleivät he ole jatkuvassa aikuisten valvonnassa.
3. Laite ja sen virtajohto on pidettävä pois alle 8-vuotiaiden lasten ulottuvilta.
4. Jos sähköjohto vaurioituu, se pitää vaihtaa valmistajan, sen huoltoedustajan tai vastaavan pätevän henkilön toimesta vaaratekijän välttämiseksi. (Koskee laitetta, jossa on Y-tyypin liitäntä)
5. VAROITUS: Varmista ennen lampun vaihtoa, että laite on kytketty pois päältä sähköiskuvaaran välttämiseksi.
6. VAROITUS: Kaikkien muiden kuin pätevien henkilöiden on vaarallista suorittaa mitään huolto- tai korjaustoimia, jotka edellyttävät mikroaaltoenergialle altistumiselta suojaavan kuoren irrottamista.

7. VAROITUS: Nesteitä tai muita ruokia ei saa lämmittää suljetuissa astioissa, koska ne voivat räjähtää.
8. Kun ruokaa lämmitetään muovi- tai paperiastioissa, mikroaaltouunia on pidettävä silmällä mahdollisen syttymisvaaran vuoksi.
9. Käytä ainoastaan mikroaaltouunissa käytettäviksi sopivia astioita.
10. Jos savua syntyy, kytke laitteen virta pois päältä tai irrota sen virtajohto ja pidä uunin ovi suljettuna mahdollisten liekkien sammuttamiseksi.
11. Juomien lämmitys mikroaaltouunissa voi aiheuttaa viivästyneen eruptiivisen kiehumisen, siksi sen pulloa on käsiteltävä varoen.
12. Ruokintapullojen ja vauvanruokapurkkien sisältöä tulee sekoittaa tai ravistaa ja niiden lämpötila tulee tarkistaa ennen syöttämistä palovammojen välttämiseksi.
13. Kuorellisia kananmunia ja kokonaisia kovaksikeitettyjä kananmunia ei pidä lämmittää mikroaaltouuneissa, koska ne voivat räjähtää, jopa sen jälkeen, kun mikroaaltolämmitys on päättynyt.
14. Uuni tulee puhdistaa säännöllisesti ja kaikki ruokajäämät on poistettava.
15. Uunin puhtaana pidon laiminlyömiä voi saada sen pinnan heikkenemään tavalla, joka vaikuttaa haitallisesti laitteeseen ja aiheuttaa mahdollisen vaaratilanteen.
16. Ylikuumenemisen välttämiseksi laitetta ei saa asentaa koristeoven taakse. (Tämä ei koske laitteita, joissa on koristeovi.)

17. Käytä ainoastaan tätä uunia varten suositeltu lämpötila-anturia. (uuneille, jotka on varustettu mahdollisuudella käyttää lämpötilan tunnistavaa anturia.)
18. Mikroaaltouunia ei saa sijoittaa kaappiin, ellei sitä ole testattu kaapissa.
19. Mikroaaltouunia on käytettävä koristeovi auki (uuneille, joissa on koristeovi.)
20. Tämä laite on tarkoitettu käytettäväksi kotitalouksissa ja vastaavassa käytössä, kuten:
 - henkilökunnan keittiöalueet myymälöissä, toimistoissa ja muissa työympäristöissä;
 - vieraiden toimesta hotelleissa, motelleissa ja muissa asuintyyppisissä ympäristöissä;
 - maataloilla;
 - aamiaismajoitus-tyyppisissä ympäristöissä.
21. Mikroaaltouuni on tarkoitettu ruokien ja juomien lämmittämiseen. Ruoan tai vaatteiden kuivaaminen ja lämmitystyynyjen, tohvelien, pesusienien, kosteiden vaatteiden ja vastaavien lämmitys voi aiheuttaa tapaturma-, syttymis- tai tulipaloriskin.
22. Metalliset ruoka- ja juoma-astiat eivät ole sallittuja ruoanlaittoon mikroaaltouunissa.
23. Laitetta ei saa puhdistaa höyrypuhdistimella.
24. Laite on tarkoitettu käytettäväksi vapaasti seisovana.
25. Laitteen takaseinä tulee sijoittaa seinään päin.

**LUE HUOLELLISESTI JA SÄILYTÄ MYÖHEMPÄÄ
TARVETTA VARTEN**

Henkilövammojen riskin vähentämiseksi maadoitusasennus

VAARA:

Sähköiskuvaara Sisäosien koskettaminen voi aiheuttaa vakavan henkilövamman tai kuoleman. Tätä laitetta ei saa purkaa.

VAROITUS

Sähköiskuvaara Maadoituksen väärä käyttö voi aiheuttaa sähköiskun. Ei saa kytkeä pistorasiaan, ennen kuin laite on oikein asennettu ja maadoitettu.

Tämä laite pitää maadoittaa. Sähköoikosulun tapauksessa maadoitus vähentää sähköiskun riskiä tarjoamalla sähkövirralle poistumisjohdon. Tämä laite on varustettu, johdolla, jossa on maadoitusjohdin ja maadoituspistoke. Pistoke on kytkettävä pistorasiaan, joka on oikein asennettu ja maadoitettu.

Käännä valtuutetun sähkömiehen tai huoltohenkilön puoleen, jos maadoitusohjeita ei ymmärretä täysin tai jos laitteen asianmukaisesta maadoituksesta on epäilyksiä. Jos jatkojohtoa on käytettävä, käytä vain kolmijohtimista jatkojohtoa.

1. Mukana toimitettu virtajohto on lyhyt, jotta pitkän johdon sotkeutuminen tai siihen kompastuminen voidaan välttää.
2. Jos pitkäjohtoista sarjaa tai jatkojohtoa käytetään:
 - 1) Johtosarjaan tai jatkojohtoon merkittyjen sähköarvojen tulee olla ainakin yhtä suuret kuin laitteen sähköarvot.

- 2) Jatkojohdon pitää olla maadoitettua tyyppiä 3-johteinen johto.
- 3) Pitkä johto tulee asetella niin, ettei se kietoudu pöytätason tai pöydän yli siten, että lapsi voi vetää siitä tai kompastua vahingossa siihen.

PUHDISTUS

Muista irrottaa laitteen pistoke pistorasiasta.

1. Puhdista uunin sisätila käyttäen hieman kosteaa liinaa.
2. Puhdista lisälaitteet tavalliseen tapaan saippuavedellä.
3. Oven kehys ja tiiviste sekä niiden viereiset osat on puhdistettava huolellisesti kostealla liinalla, kun ne ovat likaisia.
4. Älä käytä voimakkaita hankaavia puhdistusaineita tai teräviä metallikaapimia puhdistamaan uunin ovilasia, koska ne voivat naarmuttaa sen pintaa, mikä voi rikkoa lasin.
5. Puhdistusvinkki – helppoon uunin sisäseinien puhdistukseen alueella, johon ruoka voi koskettaa: Aseta puolikas sitruuna kulhoon, lisää 300 ml (1/2 tuoppia) vettä ja lämmitä 100 % mikroaaltouunin teholla 10 minuuttia. Pyyhi uuni puhtaaksi käyttäen pehmeää ja kuivaa liinaa.

ASTIAT

HUOMIO

Henkilövamman vaara

Kaikkien muiden kuin pätevien henkilöiden on vaarallista suorittaa mitään huolto- tai korjaustoimia, jotka edellyttävät mikroaaltoenergialle altistumiselta suojaavan kuoren irrottamista.

Katso ohjeet kohdasta ”Materiaalit, joita voidaan käyttää mikroaaltouunissa tai joita pitää välttää mikroaaltouunissa”. Voi olla tiettyjä ei-metallisia astioita, jotka eivät olet turvallisia mikroaaltokäyttöön. Mikäli et ole varma, voit testata kyseisen astia seuraavalla tavalla.

Astiatesti:

1. Täytä mikroaaltoturvallinen astia 1 kupilla kylmää vettä (250 ml) yhdessä testattavan astian kanssa.
2. Kuumenna maksimiteholla 1 minuutin ajan.
3. Tunnustele astiaa varovasti. Jos tyhjä astia on lämmin, älä käytä sitä mikroaaltokypsennykseen.
4. Älä ylitä 1 minuutin kuumennusaikaa.

Materiaalit, joita voidaan käyttää mikroaaltouunissa

Astiat	Huomautukset
Ruskistusastia	Noudata valmistajan käyttöohjeita. Ruskistusastian pohjan pitää olla ainakin 3/16 tuumaa (5 mm) kääntölevyn yläpuolella. Väärä käyttö voi rikkoa kääntölevyn.
Ruokailuastiat	Vain mikroaaltoturvalliset. Noudata valmistajan käyttöohjeita. Älä käytä haljenneita tai lohjenneita astioita.
Lasipurkit	Poista aina kansi. Käytä ainoastaan kuumentamaan ruokaa lämpimäksi. Useimmat lasipurkit eivät ole lämmönkestäviä ja voivat rikkoutua.
Lasiastiat	Vain lämmönkestävät uunilasiastiat. Varmista, ettei niissä ole metallireunusta. Älä käytä haljenneita tai lohjenneita astioita.
Uunipaistopussit	Noudata valmistajan käyttöohjeita. Älä sulje metallisiteellä. Tee reikiä sallimaan höyryn vapautuminen.
Paperiastiat ja -kupit	Käytä vain lyhytaikaiseen kuumentamiseen/lämmitykseen. Älä jätä valvomatta kuumentamisen ajaksi.
Paperipyyhkeet	Käytä peittämään ruoka lämmitystä varten ja imemään rasvaa. Käytä valvonnassa vain lyhytaikaiseen kuumennukseen.
Leivinpaperi	Käytä kantana estämään roiskuminen tai kääreenä höyrytystä varten.
Muovi	Vain mikroaaltoturvalliset. Noudata valmistajan käyttöohjeita. Tulee olla merkintä ”mikroaaltoturvallinen”. Jotkin muoviastiat pehmenevät, kun niiden sisältämä ruoka kuumenee. ”Keittopussit” ja tiiviisti

	suljettaviin muovipusseihin tulee tehdä viiltoja, reikiä tai ilma-aukkoja pakkauksen ohjeiden mukaisesti.
Muovikelmu	Vain mikroaaltoturvalliset. Käytä peittämään ruoka kuumennuksen ajaksi kosteuden säilyttämiseksi. Älä anna muovikelman koskettaa ruokaan.
Lämpömittarit	Vain mikroaaltoturvalliset (liha- ja karamellilämpömittarit).
Vahapaperi	Käytä kantena estämään roiskuminen ja säilyttämään kosteus.
Materiaalit, joita on vältettävä mikroaaltouunissa	
Astiat	Huomautukset
Alumiinitarjotin	Voi aiheuttaa valokaaren. Siirrä ruoka mikroaaltoturvalliseen astiaan.
Ruokapurkki metallikahvalla	Voi aiheuttaa valokaaren. Siirrä ruoka mikroaaltoturvalliseen astiaan.
Metalliset tai metallireunaiset astiat	Metalli suojaa ruokaa mikroaaltoenergialta. Metallireunus voi aiheuttaa valokaaren.
Metalliset vääntösiteet	Voivat aiheuttaa valokaaren ja tulipalon uunissa.
Paperipussit	Voivat aiheuttaa tulipalon uunissa.
Vaahтомуovi	Vaahтомуovi voi sulaa tai saastuttaa sisällä olevan nesteän altistettuna korkealle lämpötilalle.
Puu	Puu kuivuu, kun sitä käytetään mikroaaltouunissa, ja voi haljeta tai lohjeta.

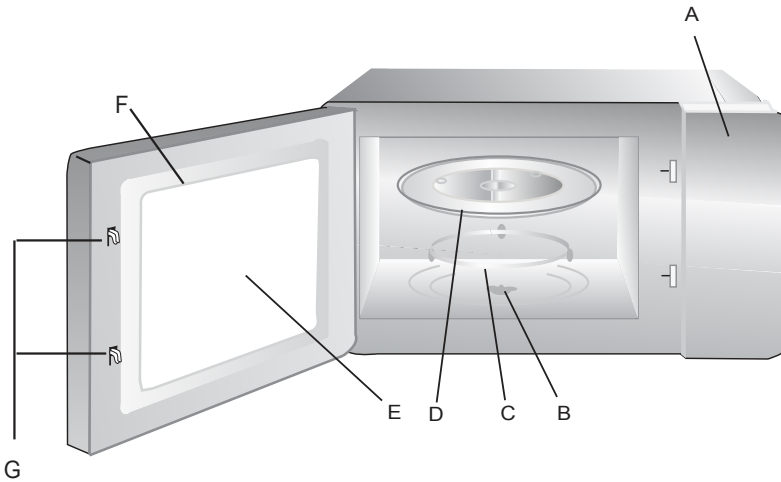
UUNIN VALMISTELU

Uunin osien ja lisävarusteiden nimet

Poista uuni ja kaikki materiaalit pahvilaatikosta ja uunin sisältä.

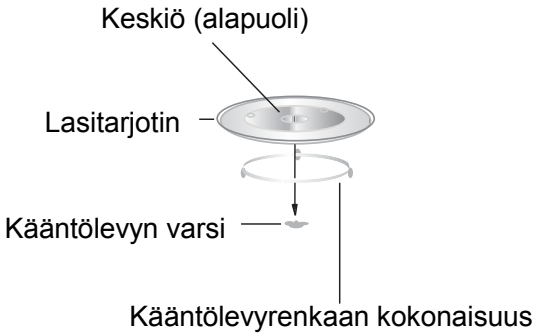
Uuni toimitetaan seuraavilla lisävarusteilla:

Lasitarjotin	1
Kääntölevyrenkaan kokonaisuus	1
Käyttöopas	1



- A) Ohjauspaneeli
- B) Kääntölevyn varsi
- C) Kääntölevyrenkaan kokonaisuus
- D) Lasitarjotin
- E) Tarkkailuikkuna
- F) Ovikokonaisuus
- G) Turvalukitusjärjestelmä

Kääntölevykokonaisuus



- Älä koskaan aseta lasitarjotinta väärin päin. Lasitarjotinta ei saa koskaan estää.
- Sekä lasitarjotinta että kääntölevyrenkaan kokonaisuutta tulee aina käyttää kuumennuksen aikana.
- Kaikki ruoka ja ruoka-astiat tulee aina asettaa lasitarjottimelle kuumennusta varten.
- Jos lasitarjotin tai kääntölevyrenkaan kokonaisuus halkeaa tai hajoaa, ota yhteyttä lähimpään valtuutettuun huoltokeskukseen.

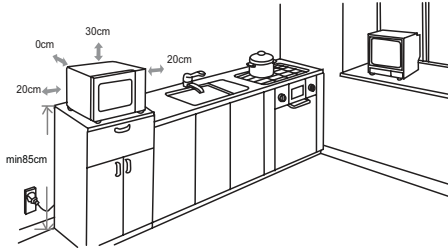
Pöytätasolle asennus

Poista kaikki pakkausmateriaalit ja lisävarusteet. Tutki uuni vaurioiden, kuten lommojen tai hajonneen oven, varalta. Älä asenna, jos uuni on viallinen.

Kaappi: Poista kaikki suojakalvot mikroaaltouunin kaapin pinnasta. Älä poista vaaleanruskeaa Mica-suojusta, joka on kiinnitetty uunin sisätilaan suojaamaan magnetronia.

Asennus

1. Valitse tasainen pinta, jossa on riittävästä avointa tilaa ilmanotto- ja/tai ilmanpoistoaukoille.



- (1) Pienin sallittu asennuskorkeus on 85 cm.
 - (2) Laitteen takaseinä tulee asettaa seinää vasten. Jätä vapaata tilaa vähintään 30 cm uunin yläpuolelle, vähintään 20 cm vapaata tilaa tarvitaan uunin ja viereisten seinien välille.
 - (3) Älä poista jalkoja uunin pohjasta.
 - (4) Ilmanotto- ja ilmanpoistoaukkojen tukkiminen voi vioittaa uunia.
 - (5) Aseta uuni mahdollisimman kauas radioista ja TV:istä. Mikroaaltouunin käyttö voi aiheuttaa häiriöitä radion tai TV:n vastaanottoon.
2. Kytke uunisi tavalliseen kotitalouden pistorasiaan. Varmista, että jännite ja taajuus ovat samat kuin arvokilven jännite ja taajuus.

VAROITUS: Älä asenna uuni liedon keittotason tai muun lämpöä tuottavan laitteen yläpuolelle. Jos uuni asennetaan lähelle lämmönlähdettä tai sen päälle, se voi vioittua ja takuu voi mitätöityä.

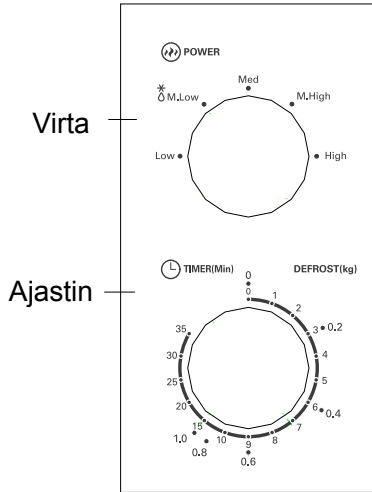
Käyttöpinta voi olla kuuma käytön aikana.



KÄYTTÖ

Ohjauspaneeli ja ominaisuudet

Käyttöohjeet



1. Kuumennusteho asetetaan kääntämällä tehonuppia halutulle tasolle.
2. Kuumennusaika asetetaan kääntämällä ajastinnuppia haluttuun aikaan ruokaoppaan ohjeiden mukaisesti.
3. Mikroaaltouuni alkaa automaattisesti kuumennuksen, kun teho ja aika on asetettu.
4. Kun kuumennusaika on kulunut, laite pysähtyy antamalla "Dong"-merkkiään.
5. Jos laite ei ole käytössä, aseta ajastin aina asentoon "0".

Toiminto/teho	Teho	Sovellus:
Matala	17 % mikro	Pehmitä jäätelöä
Keskitaso Matala (sulatus)	33 % mikro	Keiton haudutus, voin pehmittäminen tai sulattaminen
Keskitaso	55 % mikro	Muhennos, kala
Keskitaso Korkea	77 % mikro	Riisi, kala, kana, jauheliha
Korkea	100 % mikro	Lämmitys, maito, veden keittäminen, kasvikset, juomat

Huomautus: Kun ruokaa otetaan uunista varmista, että uunin virta on pois päältä kääntämällä ajastinkytkin asentoon 0 (nolla). Tämän laiminlyönti ja mikroaaltouunin käyttö ilman ruokaa sisällä, voi aiheuttaa ylikuumenemisen ja vaurioittaa magnetronia.

Vianmääritys:

Normaali	
Mikroaaltouuni aiheuttaa häiriötä TV-vastaanottoon	Radio- ja TV-vastaanottoon voi tulla häiriötä, kun mikroaaltouuni toimii. Se vastaa häiriötä, jotka johtuvat pienistä sähkölaitteista, kuten sekoittimet, pölynimurit ja sähkötuulettimet. Se on normaalia.
Himmeä uunivalo	Matalan tehon mikroaaltokuumennuksessa uunivalo voi himmetä. Se on normaalia.
Höyryä kertyy oveen, kuumaa ilmaa tulee ilma-aukoista.	Kuumennuksessa ruoasta voi tulla höyryä. Suurin osa tulee ulos ilma-aukoista. Jonkun verran voi kertyä viileään kohtaan, kuten uunin oveen. Se on normaalia.
Uuni käynnistyi vahingossa ilman ruokaa sisällä.	Laitetta ei saa käyttää ilman mitään ruokaa sen sisällä. Se on hyvin vaarallista.

Ongelma	Mahdollinen syy	Korjaava ratkaisu
Uunia ei voi käynnistää.	(1) Virtajohto ei ole kytketty kunnolla.	Irrota se. Kytke sitten uudestaan 10 sekunnin kuluttua.
	(2) Sulake palanut tai automaattisulake ei toimii.	Vaihda sulake tai nollaa automaattisulake (korjauksen suorittaa ammattilaishenkilökunta)
	(3) Ongelma pistorasian kanssa.	Testaa pistorasia muulla sähkölaitteella.
Uuni ei kuumenna.	(4) Ovi ei ole hyvin suljettu.	Sulje ovi hyvin.

KAIKKI OIKEUDET PIDÄTETÄÄN, COPYRIGHT DENVER
ELECTRONICS A/S

DENVER[®]
denver-electronics.com



Sähkö- ja elektroniikkalaitteet sisältävät materiaaleja, komponentteja ja aineita, jotka voivat olla vahingollisia terveydelle ja ympäristölle, jos jättemateriaalia (pois heitettävät sähkö- ja elektroniikkalaitteet) ei käsitellä asianmukaisesti.

Sähkö- ja elektroniikkalaitteet on merkitty yläpuolella olevalla rastitun jätteen symbolilla. Symboli kertoo, ettei sähkö- ja elektroniikkalaitteita tai paristoja saa hävittää kotitalousjätteen mukana vaan ne on hävitettävä erikseen.

Kaikissa kaupungeissa on keräilypisteitä, joihin vanhat sähkö- ja elektroniikkalaitteet voidaan toimittaa maksutta edelleen toimitettaviksi kierrätysasemille ja muihin keräilypisteisiin tai niille voidaan järjestää keräily kodeista. Lisätietoja saat kuntasi tekniseltä osastolta.

Maahantuojat:

DENVER ELECTRONICS A/S

Omega 5A, Soeften

DK-8382 Hinnerup

www.facebook.com/denverelectronics



FOUR A MICROONDE
GUIDE D'UTILISATION
MODÈLE : OM-2011

Lire attentivement ces instructions avant d'utiliser le four à microonde, et les garder soigneusement.

Si vous suivez ces instructions, votre four vous donnera de nombreuses années de bons services.

CONSERVEZ SOIGNEUSEMENT CES INSTRUCTIONS

PRECAUTIONS POUR EVITER L'EXPOSITION POSSIBLE A L'ENERGIE MICROONDE EXCESSIVE

- (a) Ne pas essayer de faire fonctionner ce four avec la porte ouverte car cela peut entraîner une exposition nocive à l'énergie microonde. Il est important de ne pas casser ou modifier les interverrouillages de sécurité.
- (b) Ne pas placer un objet entre la face avant et la porte, ou laisser de la saleté ou des résidus de nettoyage s'accumuler sur les surfaces du joint.
- (c) **AVERTISSEMENT** : Si la porte ou les joints de porte sont endommagés, le four ne doit pas être utilisé jusqu'à ce qu'il ait été réparé par une personne compétente.

ADDITIF

Si l'appareil n'est maintenu en bon état de propreté, ses surfaces peuvent se dégrader et affecter la durée de vie de l'appareil et entraîner une situation dangereuse.

Spécifications

Modèle :	OM-2011
Tension nominale :	230 V ~ 50 Hz
Puissance nominale d'entrée (microonde) :	1050 W
Puissance nominale de sortie (microonde) :	700 W
Capacité du four :	20 l
Diamètre de la plaque rotative	Ø 255 mm
Dimensions externes :	440 x 340 x 259 mm
Poids net :	Environ 10,2 kg

AVERTISSEMENTS ET INSTRUCTIONS IMPORTANTES DE SECURITE

Pour réduire le risque d'incendie, d'électrocution, de blessure corporelle ou de surexposition aux microondes en utilisant votre appareil, suivre les précautions de base, y-compris les suivantes :

1. Lire et suivre les points spécifiques suivants :
« PRECAUTIONS POUR EVITER L'EXPOSITION POSSIBLE A L'ENERGIE MICROONDE EXCESSIVE »
2. Cet appareil peut être utilisé par des enfants de 8 ans et plus et des personnes ayant des capacités physiques, sensorielles ou mentales réduites, ou manquant d'expérience et de connaissances si elles supervisées ou instruites en ce qui concerne l'utilisation de l'appareil en sécurité, et si elles comprennent des dangers impliqués. Les enfants en bas âge ne doivent pas jouer avec l'appareil. Le nettoyage et la maintenance de l'utilisateur ne doivent pas être effectués par des enfants de moins de 8 ans et sous supervision. Les enfants de moins de 8 ans doivent être tenus à l'écart sauf s'ils sont surveillés continuellement.
3. Tenir l'appareil et son fil hors de portée des enfants de moins de 8 ans.
4. Pour éviter tout risque de danger, faire remplacer le cordon d'alimentation endommagé par le fabricant, un agent de son service ou une personne qualifiée. (Pour les appareils avec un accessoires Y)

5. **AVERTISSEMENT** : S'assurer que l'appareil est arrêté avant de remplacer la lampe pour éviter la possibilité d'électrocution.
6. **AVERTISSEMENT** : Il est dangereux pour quiconque autre qu'une personne compétente d'effectuer des travaux de révision ou de réparation qui impliquent la dépose d'un capot qui protège de l'exposition aux microondes.
7. **AVERTISSEMENT** : Les liquides et autres aliments ne doivent pas être chauffés dans des conteneurs fermés car ils peuvent exploser.
8. En chauffant des aliments dans des conteneurs en papier ou en plastique, garder un œil sur le four en raison de la possibilité d'ignition.
9. N'utiliser que des ustensiles appropriés aux four à microonde.
10. Si de la fumée est émise, arrêter ou débrancher l'appareil, et garder la porte fermée pour étouffer une flamme;
11. Le chauffage de boissons par microondes peut entraîner une éruption retardée, il faut donc faire attention en manipulant de conteneur.
12. Le contenu des biberons et les pots pour bébé doivent être mélangés ou secoués, et la température vérifiée avant la consommation pour éviter des brûlures.
13. Les œufs dans leur coquille et les œufs durs ne doivent pas être chauffés au microonde car ils peuvent exploser, même après l'arrêt du four.
14. Le four doit être nettoyé régulièrement, et toute trace d'aliment retirée.

15. Ne pas maintenir le four propre peut entraîner une détérioration de la surface ce qui pourrait affecter la durée de vie de l'appareil, et entraîner une situation dangereuse.
16. L'appareil ne doit pas être installé derrière une porte décorative pour éviter une surchauffe. (Ce n'est pas applicable aux appareils avec une porte décorative).
17. N'utiliser que la sonde de température recommandée pour ce four. (pour les fours pouvant utiliser une sonde de température).
18. Le four à microonde ne doit pas être placé dans une armoire sauf s'il a été testé dans une armoire.
19. Le four à microonde ne doit pas fonctionner avec la porte décorative ouverte (pour les fours avec porte décorative).
20. Cet appareil est prévu pour une utilisation domestique et applications similaires telles que :
 - cuisines de personnel dans les magasins, bureaux et autres environnements de travail ;
 - clients dans les hôtels, motels et autres environnements de type résidentiel ;
 - logement à la ferme ;
 - environnements de type chambres d'hôte.
21. Le four à microonde est prévu pour chauffer des aliments et des boissons. Le séchage d'aliments ou de vêtements, et le chauffage de bouillottes, chaussons, éponges, chiffon mouillé et similaires peut mener à un risque de blessure et d'incendie.
22. Les conteneurs métalliques pour les aliments et boissons ne doivent pas être utilisés pendant la cuisson au microonde.

23. L'appareil ne doit pas être nettoyer à la vapeur.
24. Le four à microonde est prévu pour être utilisé sur ses propres pieds.
25. La surface arrière des appareils doit être placée contre un mur.

**LIRE SOIGNEUSEMENT ET GARDER POUR S'Y
REFERER PLUS TARD**

**Pour réduire le risque de blessure corporelle,
connecter l'installation à la terre**

DANGER :

Danger d'électrocution : toucher des composants internes peut causer de graves blessures corporelles ou le décès. Ne pas démonter cet appareil.

AVERTISSEMENT

Danger d'électrocution : la mauvaise utilisation de la terre peut entraîner une électrocution. Ne pas brancher à une prise de courant tant que l'appareil n'est pas installé correctement et mis à la terre.

Cet appareil doit être mis à la terre. En cas de court-circuit, la mise à la terre réduit le risque d'électrocution en fournissant un fil d'échappement pour le courant électrique. Cet appareil est équipé avec un fil électrique ayant un conducteur et une prise de terre. La fiche doit être branchée dans une prise correctement installée et mise à la terre.

Consulter un électricien qualifié ou un réparateur si les instructions de mise à la terre ne sont pas parfaitement comprises ou si un doute existe sur la bonne mise à la terre de l'appareil. S'il est nécessaire d'utiliser une rallonge, n'en utiliser qu'une de 3 fils.

1. Le fil d'alimentation est court pour réduire le risque de le coincer ou de trébucher dessus s'il est plus long.

2. Si une grande rallonge est utilisée :
 - 1) La capacité électrique du fil ou de la rallonge doit être au moins aussi grande que la capacité de l'appareil.
 - 2) La rallonge doit avoir une mise à la terre.
 - 3) Un long fil d'alimentation doit être mis de façon à ne pas dépasser du comptoir ou de la table d'où il peut être tiré par des enfants ou faire trébucher.

NETTOYAGE

S'assurer de débrancher l'appareil de la prise de courant.

1. Nettoyer l'intérieur du four après l'utilisation d'un chiffon humide.
2. Nettoyer les accessoires de la façon habituelle dans l'eau savonneuse.
3. Le châssis de porte et le joint, ainsi que les parties environnantes doivent être soigneusement nettoyés avec un chiffon mouillé quand ils sont sales.
4. Ne pas utiliser de nettoyeurs abrasifs ou de grattoir métallique pour nettoyer la vitre du four car cela peut rayer la surface ce qui peut fendre le verre.
5. Conseil de nettoyage - Pour nettoyer plus facilement les parois que les aliments ont touchées : Placer un citron dans un bol, ajouter 300 ml d'eau et chauffer à 100% pendant 10 minutes. Essuyer le four avec un chiffon doux et sec.

USTENSILES

ATTENTION

Danger de blessure corporelle

Il est dangereux pour quiconque autre qu'une personne compétente d'effectuer des travaux de révision ou de réparation qui impliquent la dépose d'un capot qui protège de l'exposition aux microondes.

Voir les instructions dans « Matériaux pouvant être utilisés ou non dans un four à microonde ». Certains ustensiles non métalliques ne sont pas sûrs pour être utilisés pour le microonde. En cas de doute, vous pouvez tester l'ustensile en question en procédant de la façon suivante.

Test d'ustensile :

1. Remplir un conteneur à microonde avec 250 ml d'eau froide et y déposer l'ustensile.
2. Chauffer à puissance max. pendant 1 minute.
3. Toucher doucement l'ustensile. Si l'ustensile vide est chaud, ne pas l'utiliser pour la cuisson au microonde.
4. Ne pas dépasser 1 minute.

Matériaux que vous pouvez utiliser dans le microonde

Ustensiles	Remarques
Plat à rôtir	Suivre les instructions du fabricant. Le fond du plat doit être à au moins 5 mm du plateau. Un mauvais usage peut briser le plateau.
Vaisselle	Uniquement prévue pour le microonde. Suivre les instructions du fabricant. Ne pas utiliser des plats fendus ou ébréchés.
Pots en verre	Toujours retirer le couvercle. Utiliser uniquement jusqu'à ce que les aliments soient chauds. La plupart des pots en verre ne résistent pas à la chaleur et peuvent casser.
Verrerie	Uniquement le verre résistant à la chaleur. S'assurer qu'il n'y a pas de garniture métallique. Ne pas utiliser des plats fendus ou ébréchés.
Sacs de cuisson au four	Suivre les instructions du fabricant. Ne pas fermer avec un couvercle métallique. Fendre pour permettre à la vapeur de s'échapper.
Assiettes et tasses en papier	N'utiliser que pour la cuisson ou réchauffage court. Ne pas laisser la cuisson sans surveillance.
Serviettes en papier	Utiliser pour couvrir les aliments à réchauffer et absorber le gras. N'utiliser que pour la cuisson courte.
Papier parchemin	Utiliser comme couvercle pour éviter les éclaboussures ou envelopper pour cuire à la vapeur.
Plastique	Uniquement prévue pour le microonde. Suivre les instructions du fabricant. Doit être estampillé « Sûr pour le microonde ». Certains conteneurs en plastique s'amollissent quand les aliments

	deviennent chauds. Les sacs à bouillir et les sacs en plastiques fermés doivent être fendus, percés ou ventilés comme indiqué sur l'emballage.
Enveloppe en plastique	Uniquement prévue pour le microonde. Utiliser pour couvrir les aliments pendant la cuisson pour retenir l'humidité. Ne pas laisser l'enveloppe en plastique toucher les aliments.
Thermomètres	Sûr pour le microonde uniquement (thermomètres à viande ou gâteau).
Papier ciré	Utiliser comme couvercle pour éviter les éclaboussures ou retenir l'humidité.

Matériaux à éviter dans le microonde

Ustensiles	Remarques
Plateau en aluminium	Peut provoquer un arc. Mettre les aliments dans un conteneur prévu pour microonde.
Carton alimentaire avec poignée métallique	Peut provoquer un arc. Mettre les aliments dans un conteneur prévu pour microonde.
Ustensiles en métal ou plaqués	Le métal bloque les microondes sur les aliments. Les garnitures métalliques provoquent les arcs.
Lien métalliques	Peuvent provoquer un arc et entraîner un incendie dans le four.
Sacs en papier	Peuvent prendre feu dans le four.
Mousse en plastique	La mousse en plastique peut fondre ou contaminer le liquide contenu en l'exposant à de hautes températures.
Bois	Le bois sèche quand il est utilisé dans le microonde et peut se fendre ou craquer.

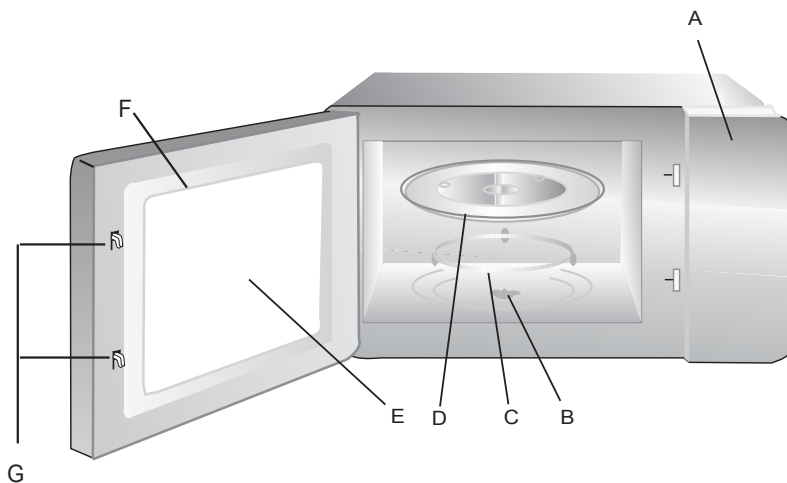
MISE EN OEUVRE DU MICROONDE

Nom des pièces de four et des accessoires

Retirer le four et tous les matériaux du carton et dans le four.

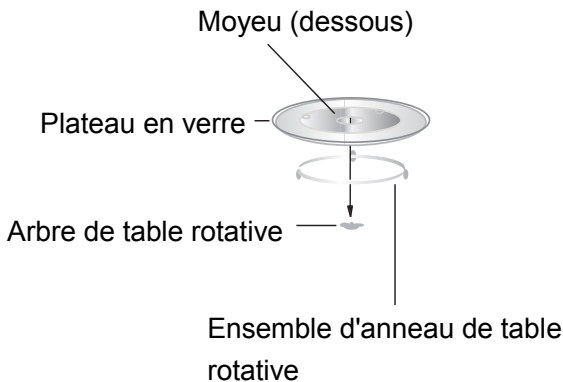
Votre four est fourni avec les accessoires suivants :

Plateau en verre	1
Ensemble d'anneau	1
de table rotative	
Guide d'utilisation	1



- A) Panneau de commande
- B) Arbre de table rotative
- C) Ensemble d'anneau de table rotative
- D) Plateau en verre
- E) Fenêtre d'observation
- F) Porte
- G) Système d'interverrouillage de sécurité

Installation de la table rotative



- Ne jamais mettre le plateau en verre à l'envers. Le plateau en verre ne doit jamais être coincé.
- Le plateau en verre et l'anneau rotatif doivent toujours être utilisés pendant la cuisson.
- Tous les aliments et conteneurs sont toujours placés sur le plateau en verre pour la cuisson.
- Si le plateau en verre ou l'anneau rotatif se fend ou casse, contacter le centre de service le plus proche.

Installation sur comptoir

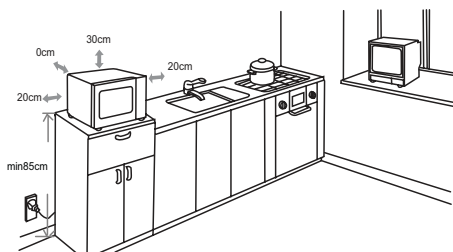
Retirer tout le matériel d'emballage et les accessoires. Examiner le four pour les dommages tels que la porte ébréchée ou cassée. Ne pas installer le four s'il est endommagé.

Armoire : Retirer le film de protection sur le microonde.

Ne pas retirer le Mica marron qui est fixé à la cavité du four pour protéger le magnétron.

Installation

1. Sélectionner une surface de niveau ayant assez d'espace pour les événements d'entrée ou de sortie.



- (1) La hauteur minimum de l'installation est de 85 cm.
 - (2) La surface arrière des appareils doit être placée contre un mur.
Laisser un espace de 30 cm au-dessus du four, un minimum de 20 cm est requis entre le four et les murs adjacents.
 - (3) Ne pas retirer les pieds en bas du four.
 - (4) Le blocage des ouvertures d'entrée ou de sortie peut endommager le four.
 - (5) Placer le four aussi loin que possible des radios et télévisions. Les opérations du four à microonde peuvent interférer avec la réception de radio ou télévision.
2. Brancher le four dans une prise de courant standard. S'assurer que la tension et la fréquence sont les mêmes que la tension et la fréquence sur la plaque signalétique.

AVERTISSEMENT : Ne pas mettre le four au-dessus de cuisers ou autre appareil produisant de la chaleur. S'il est installé près ou au-dessus d'une source de chaleur, le four peut être endommagé et la garantie annulée.

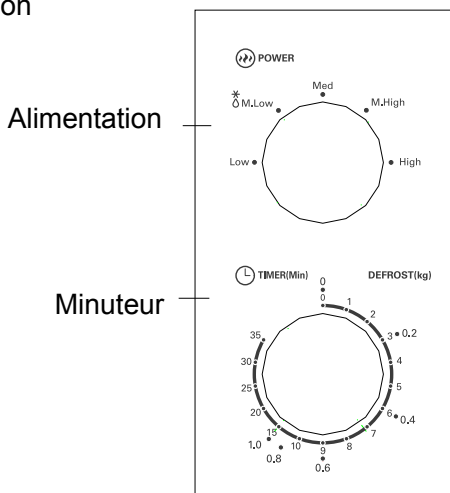
La surface accessible peut être chaude pendant les opérations.



UTILISATION

Panneau de contrôle et dispositifs

Guide d'utilisation



1. Pour régler la puissance de cuisson, tourner le bouton au niveau désiré.
2. Pour régler la durée de cuisson, tourner le bouton de minuterie à la durée désirée selon le guide de cuisson des aliments.
3. Le four à microonde démarre automatiquement quand la puissance et la durée de cuisson sont réglées.
4. Quand la durée de cuisson est écoulée, l'unité sonne et s'arrête.
5. Si l'unité n'est pas utilisée, toujours régler la durée à « 0 ».

Fonction / Puissance	Sortie	Application
Faible	17%	Ramollir de la crème glacée
Moyen Faible (dégeler)	33%	Soupe, ragout, amollir le beurre ou dégeler
Moyen	55%	Ragout, poisson
Moyen Élevé	77%	Riz, poisson, poulet, viande hachée
Élevé	100%	Réchauffer, lait, bouillir de l'eau, légumes, boisson

Remarque : En retirant les aliments du four, veuillez vous assurer que le four est éteint en tournant la minuterie à 0 (zéro). Ne pas le faire et faire fonctionner le four sans aliment dedns peut entrainer une surchauffe et endommager le magnétron.

Dépannage :

Normal	
Four à microonde interférant avec la réception de télévision	La réception de radio ou télévision peut être interférée quand le four à microonde fonctionne. C'est similaire à l'interférence d'un petit appareil électrique, comme un mixeur, aspirateur et ventilateur. C'est normal.
Eclairage de four progressif	En cuisson faible à microonde, l'éclairage de four peut baisser. C'est normal.
Accumulation de vapeur sur la porte, et air chaud aux événements.	Pendant la cuisson, de la vapeur peut sortir des aliments. Le plus gros sortira par les événements. Mais un peu de vapeur peut s'accumuler dans les endroits plus frais comme la porte. C'est normal.
Démarrage accidentel du four sans aliment dedans.	Il ne faut pas faire fonctionner l'unité sans aliment dedans. C'est très dangereux.

Problème	Cause possible	Remède
Le four ne démarre pas.	(1) La fiche n'est pas bien branchée.	Débrancher. Rebrancher après 10 secondes.
	(2) Fusible fondu ou disjoncteur déclenché.	Remplacer le fusible ou réarmer le disjoncteur (réparer par du personnel professionnel de notre entreprise).
	(3) Problème de prise de courant.	Tester la prise de courant avec un autre appareil électrique.
Le four ne chauffe pas.	(4) La porte ne ferme pas bien.	Bien fermer la porte.

TOUS DROITS RÉSERVÉS, COPYRIGHT DENVER ELECTRONICS
A/S

DENVER[®]
denver-electronics.com

CE



Les appareils électriques et électroniques contiennent des matériaux, composants et substances qui peuvent nuire à votre santé et à l'environnement si ces déchets (appareils électriques et électroniques) ne sont pas traités de façon appropriée.

Les appareils électriques et électroniques sont marqués du symbole d'une poubelle barrée, comme illustré ci-dessus. Ce symbole indique que les appareils électriques et électroniques doivent être jetés séparément des ordures ménagères.

Des points de collecte existent dans toutes les villes où des appareils électriques et électroniques peuvent être déposés sans frais en vue de leur recyclage. Vous pouvez obtenir des informations supplémentaires auprès des autorités locales de la ville.

Importateur :
DENVER ELECTRONICS A/S
Omega 5A, Soeften
DK-8382 Hinnerup
www.facebook.com/denverelectronics



FORNO A MICROONDE
MANUALE DI ISTRUZIONI
MODELLO: OM-2011

Leggere attentamente queste istruzioni prima di utilizzare il forno a microonde e conservarle con cura.

Se si seguono le istruzioni, il forno garantirà molti anni di buon servizio.

CONSERVARE QUESTE ISTRUZIONI ATTENTAMENTE

PRECAUZIONI PER EVITARE POSSIBILI ESPOSIZIONI A ECCESSIVE ENERGIE A MICROONDE

- (a) Non tentare di utilizzare questo forno con la porta aperta poiché ciò può provocare un'esposizione dannosa all'energia delle microonde. È importante non rompere né manomettere gli interblocchi di sicurezza.
- (b) Non posizionare alcun oggetto tra la superficie frontale del forno e lo sportello o lasciare accumulare sporco o residui di detergente sulle superfici di tenuta.
- (c) **ATTENZIONE:** Se la porta o le guarnizioni della porta sono danneggiate, il forno non deve essere utilizzato finché non sarà riparato da una persona competente.

SUPPLEMENTO

Se l'apparecchio non viene mantenuto in buono stato di pulizia, la sua superficie potrebbe degradarsi e influenzare la durata di vita dell'apparecchio e portare a situazioni pericolose.

Specifiche

Modello:	OM-2011
Tensione nominale:	230 V~ 50 Hz
Potenza di ingresso nominale (microonde):	1050 W
Potenza di uscita nominale (microonde):	700 W
Capacità del forno:	20 L
Diametro della piattaforma girevole	Ø 255 mm
Dimensioni esterne:	440X340x259 mm
Peso netto:	Appr. 10,2 kg

IMPORTANTI ISTRUZIONI SULLA SICUREZZA

Per ridurre il rischio di incendi, scosse elettriche, lesioni alle persone o esposizione a un'eccessiva energia del forno a microonde durante l'utilizzo dell'apparecchio, attenersi alle seguenti precauzioni di base, tra cui:

1. Leggere e seguire specificatamente: **PRECAUZIONI PER EVITARE POSSIBILI ESPOSIZIONI A ECCESSIVE ENERGIE A MICROONDE**
2. Questo apparecchio può essere utilizzato da bambini di età pari o superiore a 8 anni e persone con ridotte capacità fisiche, sensoriali o mentali o mancanza di esperienza e conoscenza se sono stati supervisionati o istruiti sull'uso dell'apparecchio in modo sicuro e se comprendono i pericoli coinvolti. I bambini non devono giocare con l'apparecchio. La pulizia e la manutenzione dell'utente non devono essere eseguite da bambini se non hanno più di 8 anni e sono supervisionati. I bambini di età inferiore a 8 anni devono essere tenuti lontani, a meno che non siano continuamente sorvegliati.
3. Tenere l'apparecchio e il cavo fuori dalla portata dei bambini di età inferiore a 8 anni.
4. Se il cavo dell'alimentazione principale è danneggiato, deve essere sostituito dal produttore, dall'agente del servizio di assistenza o da personale qualificato al fine di evitare situazioni pericolose. (per apparecchi con attacco tipo Y)
5. **ATTENZIONE:** Assicurarsi che l'apparecchio sia spento prima di sostituire la lampada per evitare la possibilità di scosse elettriche.
6. **ATTENZIONE:** È pericoloso per chiunque, oltre a una persona competente, eseguire qualsiasi operazione di assistenza o riparazione che comporti la rimozione di una copertura che fornisce protezione contro l'esposizione all'energia a microonde.

7. **ATTENZIONE:** Liquidi e altri alimenti non devono essere riscaldati in contenitori sigillati poiché potrebbero esplodere.
8. Quando si riscalda il cibo in contenitori di plastica o di carta, tenere sotto controllo il forno a causa della possibilità di accensione.
9. Utilizzare solo utensili adatti all'uso nei forni a microonde.
10. Se viene emesso del fumo, spegnere o scollegare l'apparecchio e tenere la porta chiusa per soffocare eventuali fiamme.
11. Il riscaldamento a microonde delle bevande può causare una bollitura eruttiva ritardata, pertanto è necessario prestare attenzione quando si maneggia il contenitore.
12. Il contenuto di biberon e vasetti di alimenti per l'infanzia deve essere girato o agitato e la temperatura controllata prima del consumo, al fine di evitare ustioni.
13. Le uova nel guscio e le uova sode intere non devono essere riscaldate nei forni a microonde poiché potrebbero esplodere, anche dopo la fine del riscaldamento a microonde.
14. Il forno deve essere pulito con regolarità e devono essere rimossi tutti i depositi di cibo.
15. La mancata manutenzione del forno in condizioni di pulizia può comportare un deterioramento della superficie che potrebbe influire negativamente sulla durata dell'apparecchio e determinare una situazione pericolosa.
16. L'apparecchio non deve essere installato dietro una porta decorativa per evitarne il surriscaldamento (questo non è applicabile per gli apparecchi con porta decorativa).

17. Utilizzare solo la sonda di temperatura consigliata per questo forno. (per i forni dotati di un dispositivo per utilizzare una sonda di rilevamento della temperatura).
18. Il forno a microonde non deve essere posizionato in un mobiletto a meno che non sia stato testato in un armadio.
19. Il forno a microonde deve essere azionato con la porta decorativa aperta (per i forni con una porta decorativa).
20. Questo apparecchio è destinato all'uso in applicazioni domestiche e simili come:
 - Aree di cucina del personale, in negozi, uffici e altri ambienti di lavoro;
 - Da parte dei clienti in hotel, motel e altri ambienti di tipo residenziale;
 - Case coloniche;
 - Ambienti di tipo bed and breakfast.
21. Il forno a microonde è destinato al riscaldamento di alimenti e bevande. L'essiccazione di cibo o indumenti e il riscaldamento di supporti riscaldanti, pantofole, spugne, panni umidi e simili possono causare il rischio di lesioni, accensione o incendio.
22. Contenitori metallici per alimenti e bevande non sono ammessi durante la cottura a microonde.
23. L'apparecchio non deve essere pulito con un pulitore a vapore.
24. L'apparecchio è destinato all'uso indipendente.
25. La superficie posteriore degli apparecchi deve essere posizionata contro un muro.

LEGGERE CON ATTENZIONE E CONSERVARE PER FUTURA CONSULTAZIONE

Per ridurre il rischio di lesioni per l'installazione di messa a terra di persone

PERICOLO

Pericolo di scariche elettriche

Il contatto con alcuni componenti interni può provocare gravi lesioni personali o la morte. Non smontare questo apparecchio.

ATTENZIONE

Pericolo di scariche elettriche

L'uso improprio della messa a terra può provocare scosse elettriche. Non collegare alla presa finché l'apparecchio non è installato e messo a terra correttamente.

È necessaria la messa a terra di questo apparecchio. In caso di cortocircuito elettrico, la messa a terra riduce il rischio di scosse elettriche fornendo un cavo di fuga per la corrente elettrica. Questo apparecchio è dotato di un cavo con un filo di messa a terra con una spina di messa a terra. La spina deve essere inserita in una presa correttamente installata e collegata a terra.

Consultare un elettricista o un tecnico qualificato se le istruzioni di messa a terra non sono completamente comprese o se sussiste il dubbio che l'apparecchio sia correttamente messo a terra. Se è necessario utilizzare una prolunga, utilizzare solo una prolunga a 3 fili.

1. Viene fornito un cavo di alimentazione corto per ridurre i rischi derivanti dal rimanere impigliati o inciampare su un cavo più lungo.
2. Se si utilizza un cavo lungo o una prolunga:
 - 1) La potenza elettrica indicata del set di cavi o della

prolunga deve essere almeno pari alla potenza elettrica dell'apparecchio.

- 2) La prolunga deve essere un cavo a 3 fili con messa a terra.
- 3) Il cavo lungo deve essere sistemato in modo che non si drappeggi sul ripiano o sul ripiano del tavolo dove può essere tirato dai bambini o può far inciampare involontariamente.

PULIZIA

Assicurarsi di scollegare l'apparecchio dall'alimentazione.

1. Pulire la cavità del forno dopo l'uso con un panno leggermente umido.
2. Pulire gli accessori nel modo consueto con acqua saponata.
3. Il telaio della porta e la guarnizione e le parti adiacenti devono essere puliti accuratamente con un panno umido quando sono sporchi.
4. Non utilizzare detergenti abrasivi aggressivi o raschietti metallici affilati per pulire il vetro dello sportello del forno poiché possono graffiare la superficie, con il rischio di frantumare il vetro.
5. Suggerimento per la pulizia --- Per facilitare la pulizia delle pareti della cavità che il cibo cotto può toccare: Mettere mezzo limone in una ciotola, aggiungere 300 ml (1/2 pinta) di acqua e riscaldare al 100% a microonde per 10 minuti. Pulire il forno con un panno morbido e asciutto.

UTENSILI

ATTENZIONE

Pericolo di lesioni personali

È pericoloso per chiunque, oltre a una persona competente, eseguire qualsiasi operazione di assistenza o riparazione che comporti la rimozione di una copertura che fornisce protezione contro l'esposizione all'energia a microonde.

Vedere le istruzioni su "Materiali che è possibile utilizzare nel forno a microonde o da evitare nel forno a microonde". Ci possono essere alcuni utensili non metallici che non sono sicuri da usare per il microonde. In caso di dubbio, è possibile testare l'utensile in questione seguendo la procedura seguente.

Test degli utensili:

1. Riempire un contenitore per microonde con 1 tazza di acqua fredda (250 ml) insieme all'utensile in questione.
2. Cuocere alla massima potenza per 1 minuto.
3. Tastare con attenzione l'utensile. Se l'utensile è caldo, non usarlo per la cottura a microonde.
4. Non superare 1 minuto di tempo di cottura.

Materiali che è possibile usare nel forno a microonde

Utensili	Osservazioni
Piatto ingiallito	Seguire le istruzioni del produttore. Il fondo del piatto di ingiallito deve essere almeno 3/16 di pollice (5 mm) sopra la piattaforma girevole. L'uso errato può causare la rottura della piattaforma girevole.
Stoviglie	Solo di tipo idoneo per microonde. Seguire le istruzioni del produttore. Non usare piatti incrinati o scheggiati.
Barattoli di vetro	Rimuovere sempre il coperchio. Utilizzare solo per riscaldare il cibo fino a quando non si scalda. La maggior parte dei barattoli di vetro non sono resistenti al calore e potrebbero rompersi.
Cristalleria	Solo cristalleria resistente al calore. Assicurarsi che non vi siano finiture metalliche. Non usare piatti incrinati o scheggiati.
Sacchetti di cottura del forno	Seguire le istruzioni del produttore. Non chiudere con la fascetta metallica. Creare delle fessure per far fuoriuscire il vapore.
Piatti e bicchieri di carta	Utilizzare solo per cottura a breve termine/riscaldamento. Non lasciare il forno incustodito durante la cottura.
Tovaglioli di carta	Utilizzare per coprire il cibo per riscaldare e assorbire il grasso. Utilizzare con la supervisione solo per cotture a breve termine.
Pergamena	Utilizzare come copertura per evitare schizzi o un avvolgimento per la cottura a vapore.
Plastica	Solo di tipo idoneo per microonde. Seguire le istruzioni del produttore. Dovrebbe essere etichettato come "Microonde sicuro". Alcuni contenitori di plastica si ammorbidiscono, poiché il cibo all'interno si scalda. "I sacchetti di ebollizione" e i sacchetti di

	plastica ben chiusi devono essere fessurati, forati o sfiatati come indicato dalla confezione.
Involucro di plastica	Solo di tipo idoneo per microonde. Utilizzare per coprire il cibo durante la cottura per trattenere l'umidità. Non lasciare che l'involucro di plastica tocchi il cibo.
Termometri	Solo per microonde (termometri a base di carne e dolci).
Carta cerata	Utilizzare come copertura per evitare schizzi per la cottura a vapore.
Materiali che non è possibile usare nel forno a microonde	
Utensili	Osservazioni
Vassoio in alluminio	Può causare archi. Trasferire il cibo in un piatto sicuro per microonde.
Cartone alimentare con manico in metallo	Può causare archi. Trasferire il cibo in un piatto sicuro per microonde.
Utensili in metallo o con profili metallici	Il metallo protegge il cibo dall'energia delle microonde. Il rivestimento in metallo potrebbe causare la formazione di archi.
Lacci in metallo	Possono causare archi elettrici e potrebbero causare un incendio nel forno.
Sacchetti di carta	Può provocare un incendio nel forno.
Schiuma plastica	La schiuma plastica può fondere o contaminare il liquido all'interno se esposto ad alte temperature.
Legno	Il legno si seccerà se usato nel forno a microonde e potrebbe rompersi o rompersi.

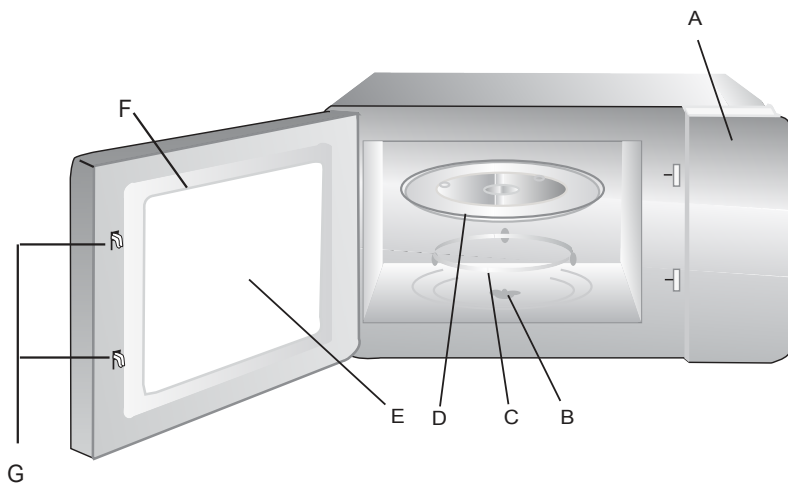
INSTALLAZIONE DEL FORNO

Nomi delle parti e degli accessori del forno

Rimuovere il forno e tutti i materiali dal cartone e dalla cavità del forno.

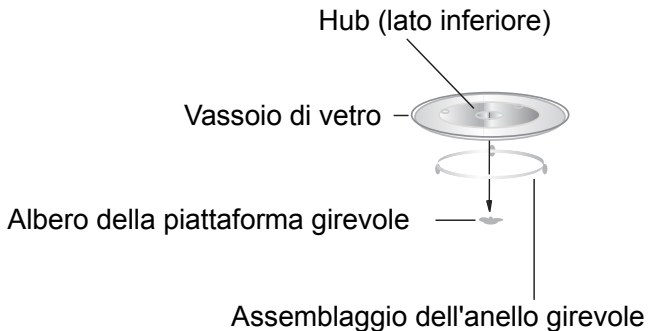
Il forno viene fornito con i seguenti accessori:

Vassoio di vetro	1
Assemblaggio dell'anello girevole	1
Manuale d'uso	1



- A) Pannello di controllo
- B) Albero della piattaforma girevole
- C) Assemblaggio dell'anello girevole
- D) Vassoio di vetro
- E) Finestra di osservazione
- F) Gruppo della porta
- G) Sistema di interblocco di sicurezza

Installazione della piattaforma girevole



- Non posizionare mai il vassoio di vetro capovolto. Il vassoio di vetro non dovrebbe mai essere limitato.
- Sia il vassoio di vetro che il gruppo dell'anello girevole devono essere sempre utilizzati durante la cottura.
- Tutti i cibi e i contenitori di cibo sono sempre collocati sul vassoio di vetro per cucinare.
- Se il vassoio di vetro o il gruppo dell'anello della piattaforma girevole si sfregia o si rompe, contattare il centro di assistenza autorizzato più vicino.

Installazione del piano superiore

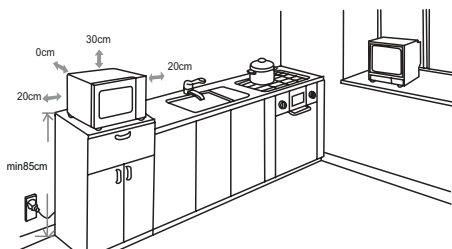
Rimuovere tutto il materiale e gli accessori dell'imballaggio. Esaminare il forno per eventuali danni come ammaccature o porta rotta. Non installare se il forno è danneggiato.

Armadietto Rimuovere eventuali pellicole protettive presenti sulla superficie dell'armadio del forno a microonde.

Non rimuovere la copertura Mica marrone chiaro che è attaccata alla cavità del forno che protegge il magnetron.

Installazione

1. Selezionare una superficie piana che fornisca uno spazio sufficiente per le bocchette di aspirazione e/o uscita.



- (1) L'altezza minima di installazione è di 85 cm.
 - (2) La superficie posteriore dell'apparecchio deve essere posizionata contro un muro.
Lasciare una distanza minima di 30 cm sopra il forno, è necessaria una distanza minima di 20 cm tra il forno e le pareti adiacenti.
 - (3) Non rimuovere le gambe dal fondo del forno.
 - (4) Il blocco delle aperture di aspirazione e/o di uscita può danneggiare il forno.
 - (5) Posizionare il forno il più lontano possibile da radio e TV.
Il funzionamento del forno a microonde può causare interferenze alla ricezione della radio o della TV.
2. Collegare il forno a una presa domestica standard.
Assicurarsi che la tensione e la frequenza siano le stesse della tensione e della frequenza sull'etichetta di valutazione.

ATTENZIONE: Non installare il forno sopra un fornello o altro apparecchio che produce calore. Se installato vicino o sopra una fonte di calore, il forno potrebbe essere danneggiato e la garanzia sarebbe nulla.

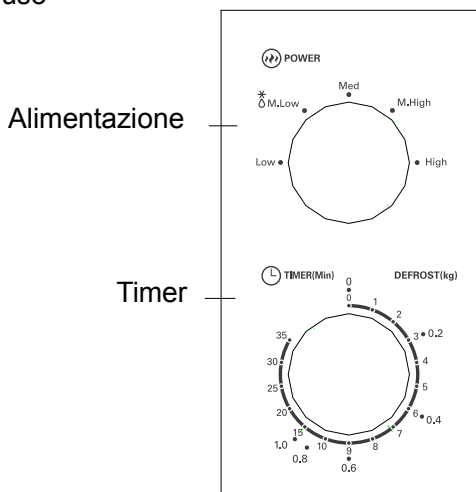
La superficie accessibile potrebbe essere calda durante il funzionamento.



FUNZIONAMENTO

Pannello di controllo e funzionalità

Istruzioni d'uso



1. Per impostare la potenza di cottura, ruotare la manopola di accensione sul livello desiderato.
2. Per impostare il tempo di cottura ruotando la manopola del timer sul tempo desiderato per la guida alla cottura degli alimenti.
3. Il forno a microonde inizierà automaticamente la cottura dopo aver impostato il livello di potenza e il tempo.
4. Dopo che il tempo di cottura è scaduto, l'unità "Dong" si fermerà.
5. Se l'unità non è in uso, impostare sempre il tempo su "0".

Funzione/Alimentazione	Uscita	Applicazione:
Basso	17% micro.	Ammorbidire il gelato
Med Basso (sbrinamento)	33% micro.	Stufato di zuppa, ammorbidire il burro o scongelare
Med	55% micro.	Stufato, pesce
Med Alta	77% micro.	Riso, pesce, pollo, carne macinata
Alta	100% micro.	Riscaldare, latte, far bollire acqua, verdure, bevande

Avviso: Quando si estrae il cibo dal forno, assicurarsi che l'alimentazione del forno sia disattivata ruotando l'interruttore del timer su 0 (zero). In caso contrario, e il funzionamento del forno a microonde senza cibo in esso, può causare surriscaldamento e danni al magnetron.

Risoluzioni dei problemi

Normale	
Ricezione TV interferente nel forno a microonde	La ricezione della radio e della TV potrebbe interferire con il funzionamento del forno a microonde. È simile all'interferenza di piccoli elettrodomestici, come mixer, aspirapolvere e ventilatore elettrico. È normale.
Affievolirsi della luce del forno	Nella cottura a microonde a bassa potenza, la luce del forno potrebbe diventare fioca. È normale.
Vapore che si accumula sulla porta, aria calda fuori dalle prese d'aria	Durante la cottura, del vapore potrebbe uscire dal cibo. La maggior parte uscirà dalle prese d'aria. Ma parte di esso può accumularsi in un luogo fresco come una porta del forno. È normale.
Il forno è stato avviato accidentalmente senza cibo.	È vietato far funzionare l'unità senza cibo all'interno. È molto pericoloso.

Problema	Possibile causa	Soluzione
Il forno non può essere avviato.	(1) Il cavo di alimentazione non è inserito saldamente.	Scollegare. Quindi ricollegare dopo 10 secondi.
	(2) Fusibile o interruttore automatico funziona.	Sostituire il fusibile o ripristinare l'interruttore automatico (riparato da personale professionale della nostra azienda)
	(3) Problemi con la presa.	Provare la presa con altri apparecchi elettrici.
Il forno non riscalda.	(4) Porta non chiusa bene.	Chiudere bene la porta.

TUTTI I DIRITTI RISERVATI, COPYRIGHT DENVER ELECTRONICS
A/S

DENVER[®]
denver-electronics.com

CE



Le apparecchiature elettriche ed elettroniche contengono materiali, componenti e sostanze che possono essere pericolosi per la salute e per l'ambiente qualora gli elementi di scarto (componenti elettrici ed elettronici da smaltire) non venissero gestiti correttamente.

Le apparecchiature elettriche ed elettroniche sono contrassegnate dal simbolo di un cestino sbarrato, visibile sopra. Questo simbolo significa che le apparecchiature elettriche ed elettroniche non devono essere smaltite con gli altri rifiuti domestici, ma devono essere oggetto di raccolta separata.

Tutte le città hanno stabilito servizi di raccolta porta a porta, punti di raccolta e altri servizi che permettono di conferire gratuitamente le apparecchiature elettriche ed elettroniche alle stazioni di riciclaggio. Informazioni aggiuntive sono disponibili al dipartimento tecnico della città.

Importatore:

DENVER ELECTRONICS A/S

Omega 5A, Soeften

DK-8382 Hinnerup

www.facebook.com/denverelectronics



MAGNETRONOVEN
GEBRUIKSHANDLEIDING
MODEL: OM-2011

Lees deze instructies zorgvuldig door voordat u uw magnetronoven in gebruik neemt en bewaar ze op een veilige plek. Als u de instructies volgt, dan zal uw oven u jarenlang van goede dienst zijn.

BEWAAR DEZE INSTRUCTIES OP EEN VEILIGE PLEK

VOORZORGSMAATREGELEN OM MOGELIJKE BLOOTSTELLING AAN OVERMATIGE MICROGOLFENERGIE TE VOORKOMEN

- (a) Probeer niet om deze oven te bedienen met de deur open, omdat dit kan leiden tot schadelijke blootstelling aan microgolfstraling. Het is belangrijk dat het veiligheidsslot niet te wordt beschadigd of gedemonteerd.
- (b) Plaats geen voorwerpen tussen de voorkant van de oven en de deur plaatsen en laat geen vuil of resten van reinigingsmiddelen ophopen op de afdichtingen.
- (c) **WAARSCHUWING:** Als de deur of de afdichtingen beschadigd zijn, dan mag de oven niet worden gebruikt totdat deze is gerepareerd door een bevoegde technicus.

ADDENDUM

Als het apparaat niet in schone conditie wordt gehouden, dan kan het oppervlak worden aangetast, de levensduur worden ingekort en gevaarlijke situaties worden veroorzaakt.

Specificaties

Model:	OM-2011
Nominale spanning:	230V~ 50Hz
Nominaal ingangsvermogen (magnetron):	1050 W
Nominaal uitgangsvermogen (magnetron):	700 W
Ovencapaciteit:	20 L
Diameter van draaiplateau	Ø 255 mm
Externe afmetingen:	440x340x259mm
Netto gewicht:	Ca. 10,2 kg

BELANGRIJKE VEILIGHEIDSINSTRUCTIES

Om het risico op brand, elektrische schokken, persoonlijk letsel of blootstelling aan te hoge magnetronenergie bij het gebruik van uw apparaat te vermijden, volg bepaalde elementaire voorzorgsmaatregelen, waaronder de volgende:

1. De onderstaande aanwijzingen doorlezen en opvolgen:
"VOORZORGSMATREGELEN OM MOGELIJKE BLOOTSTELLING AAN OVERMATIGE MICROGOLFENERGIE TE VOORKOMEN".
2. Dit apparaat kan worden gebruikt door kinderen vanaf 8 jaar oud en personen met verminderde fysieke, zintuiglijke of mentale capaciteiten, of met een tekort aan kennis en ervaring, vooropgesteld dat zij onder toezicht staan of instructies hebben gekregen m.b.t. veilig gebruik van het apparaat en de betrokken risico's begrijpen. Kinderen mogen het apparaat niet als speelgoed gebruiken. Reiniging en onderhoud mogen niet worden uitgevoerd door kinderen onder 8 jaar mits onder toezicht van een volwassene. Kinderen jonger dan 8 jaar moeten op afstand worden gehouden, tenzij ze voortdurend onder toezicht staan.
3. Houd het apparaat en het netsnoer buiten bereik van kinderen onder de 8 jaar.
4. Als de voedingskabel is beschadigd, moet deze worden vervangen door de fabrikant, servicevertegenwoordiging van de fabrikant of een dergelijke gekwalificeerde persoon om gevaarlijke situaties te voorkomen. (Voor apparatuur met een type Y bevestiging)
5. **WAARSCHUWING:** Zorg ervoor dat het apparaat is uitgeschakeld voordat u de lamp vervangt om het risico op een elektrische schok te voorkomen.

6. WAARSCHUWING: Het is gevaarlijk voor iedereen anders dan een bevoegde persoon om onderhoud of reparatie uit te voeren waarbij de behuizing wordt verwijderd. De behuizing biedt bescherming tegen blootstelling aan microgolvenenergie.
7. WAARSCHUWING: Vloeistoffen en andere etenswaren mogen niet worden verwarmd in verzegelde containers omdat deze kunnen ontploffen.
8. Bij het verwarmen van voedsel in plastic of containers van papier, houd de oven in de gaten omdat de mogelijkheid bestaat dat het materiaal vlam vat.
9. Gebruik alleen keukengerei dat geschikt is voor gebruik in magnetronovens.
10. Als er rook wordt afgegeven, het apparaat uitschakelen en de stekker uit het stopcontact trekken. De deur gesloten houden om de vlam te smoren.
11. Bij het opwarmen van drankjes in de magnetron, kan de vloeistof vertraagd beginnen te koken (kookvertraging), daarom moet voorzichtig met de container worden omgegaan.
12. De inhoud van zuigflessen en potjes babyvoeding moet worden geroerd of geschud en de temperatuur moet vóór consumptie worden gecontroleerd om brandwonden te voorkomen.
13. Eieren in de schaal en hele hardgekookte eieren mogen niet worden opgewarmd in magnetronovens omdat deze kunnen exploderen, zelfs nadat het opwarmen in de magnetronoven is beëindigd.
14. De oven dient regelmatig te worden gereinigd en enigerlei voedselresten moeten worden verwijderd.
15. Als de oven niet schoon wordt gehouden, kan dit leiden tot aantasting van de behuizing wat de levensduur van het apparaat kan inkorten en kan resulteren in gevaarlijke situaties.

16. Om oververhitting te voorkomen, mag dit apparaat mag niet achter een decoratieve deur worden geïnstalleerd. (Dit geldt niet voor apparaten met decoratieve deur.)
17. Gebruik alleen de thermometer aanbevolen voor deze oven. (voor ovens met de mogelijkheid een thermometer te gebruiken.)
18. De microtronoven mag niet in een kabinet te worden geplaatst, tenzij deze in een kabinet is getest.
19. De magnetronoven dient gebruikt te worden met de decoratieve deur geopend (voor ovens met een decoratieve deur).
20. Dit apparaat is bestemd voor huishoudelijk gebruik en gelijksoortige toepassingen zoals:
 - personeelkeukens in winkels, kantoren en andere werkplekken;
 - door gasten in hotels, motels en andere verblijfsmogelijkheden;
 - boerderijen;
 - bed & breakfast gelegenheden;
21. De magnetron is bestemd voor het verwarmen van voedingsmiddelen en dranken. Drogen van voedsel of kleding en verwarmen van verwarmingskussens, slippers, sponsjes, vochtige kleding en dergelijke, kunnen leiden tot een risico op letsel, ontsteking of brand.
22. Metalen containers voor voedsel en drankjes zijn niet toegestaan tijdens het koken in magnetrons.
23. Het apparaat mag niet worden gereinigd met een stoomreiniger.
24. Het apparaat is niet bestemd voor vrijstaand gebruik.
25. De achterkant van het apparaat moet tegen een muur worden geplaatst.

ZORGVULDIG LEZEN EN BEWAREN ALS NASLAGWERK

**Om het risico op persoonlijk letsel te voorkomen,
moet de installatie geaard zijn**
GEVAAR

Het aanraken van bepaalde interne onderdelen kan tot ernstig of zelfs fataal letsel leiden. Het apparaat niet demonteren.

WAARSCHUWING

Gevaar op elektrische schokken. Onjuist gebruik van de aarding kan leiden tot elektrische schokken. Steek de stekker niet in het stopcontact voordat het apparaat correct is geïnstalleerd en geaard.

Dit apparaat moet worden geaard. In het geval van een elektrische kortsluiting, reduceert aarding het risico op een elektrische schok doordat de elektrische stroom via een draad kan ontsnappen. Het apparaat is voorzien van een kabel met een aardedraad en geaarde stekker. De stekker moet in een stopcontact worden gestoken dat correct geïnstalleerd en geaard is.

Raadpleeg een elektricien of servicemonteur als de instructies voor aarding niet helemaal duidelijk zijn of als er twijfel bestaat over de vraag of het apparaat correct is geaard. Indien een verlengsnoer noodzakelijk is, uitsluitend een drie-aderige snoer gebruiken.

1. Een korte stroomkabel is meegeleverd om de risico's als gevolg van verstrikt raken of struikelen over een langer snoer te verminderen.

2. Als een lange kabel of verleng snoer wordt gebruikt:
 - 1) De gemarkeerde elektrische spanning van het snoer of verleng snoer moet minimaal gelijk zijn aan de spanning van het apparaat.
 - 2) Het verleng snoer moet een geaarde drie-aderige kabel zijn.
 - 3) Het lange snoer moeten zodanig worden gelegd dat deze niet over een werkblad of tafel hangt waar kinderen er aan kunnen trekken of waar er gemakkelijk over gestruikeld kan worden.

REINIGING

Zorg ervoor de stekker uit het stopcontact te trekken.

1. Reinig de ovenruimte na gebruik met een ietwat vochtige doek.
2. Reinig de accessoires op de gebruikelijke wijze in een sopje.
3. Het frame en de afdichting van de deur en de aangrenzende onderdelen moeten zorgvuldig worden gereinigd met een vochtige doek als deze vuil zijn.
4. Gebruik geen agressieve schuurmiddelen of scherpe metalen schrapers om het glas van de oven deur schoon te maken, omdat krassen het glas kunnen versplinteren.
5. Reinigingstip---Om de ovenwanden die in contact komen met het gekookte voedsel eenvoudiger te reinigen: Plaats een halve citroen in een kom, voeg 300ml (1/2 pint) water toe en verhit 10 minuten lang op 100% magnetronvermogen. Veeg de oven schoon met een zachte, droge doek.

KEUKENGEREI

OPGELET

Risico op persoonlijk letsel

Het is gevaarlijk voor iedereen anders dan een bevoegde persoon om onderhoud of reparatie uit te voeren waarbij de behuizing wordt verwijderd. De behuizing biedt bescherming tegen blootstelling aan microgolvenenergie.

Raadpleeg de instructies m.b.t. "Materialen die u wel en niet in de magnetronoven kunt gebruiken". Bepaald niet-metalen keukengerei is mogelijk onveilig voor gebruik in een magnetron. In geval van twijfel, test het betreffende keukengerei volgens de procedure hieronder.

Keukengerei testen:

1. Vul een magnetronbestendige container met 1 kopje koud water (250 ml) samen met het betreffende keukengerei.
2. Kook op maximaal vermogen gedurende 1 minuut.
3. Raak het keukengerei voorzichtig aan. Als de lege container warm is, gebruik het dan niet in de magnetron.
4. De kooktijd van 1 minuut niet overschrijden.

Materialen die u wel in een magnetronoven kunt gebruiken

Keukengerei	Opmerkingen
Braadschaal	Volg de instructies van de fabrikant. De bodem van de braadschaal moet minstens 5mm (3/16 inch) boven het draaiplateau zitten. Het draaiplateau kan breken wanneer incorrect gebruikt.
Serviesgoed	Uitsluitend magnetronbestendig. Volg de instructies van de fabrikant. Gebruik geen gebarsten of geschilderd serviesgoed.
Glazen potten	Altijd het deksel verwijderen. Uitsluitend gebruiken om voedsel te verwarmen totdat het lauwwarm is. De meeste glazen potten zijn niet hittebestendig en kunnen breken.
Glaswerk	Uitsluitend hittebestendig glaswerk voor in de oven. Controleer of er geen metalen rand op zit. Gebruik geen gebarsten of geschilderd serviesgoed.
Braadzakken	Volg de instructies van de fabrikant. Niet sluiten met een metalen binder. Maak spleetjes zodat de stoom kan ontsnappen.
Papieren borden bekers	Alleen gebruiken voor kortstondig koken/opwarmen. Niet onbeheerd in de oven laten tijdens het koken.
Keukenpapier	Te gebruiken om voedsel af te dekken en opnieuw te verwarmen of vet te absorberen. Alleen onder toezicht gebruiken en voor kortstondig koken.
Bakpapier	Te gebruiken ter afdekking om spetters te vermijden of om in te wikkelen en te stomen.
Plastic	Uitsluitend magnetronbestendig. Volg de instructies van de fabrikant. Dient gemarkeerd te zijn met "Magnetronbestendig". Sommige plastic containers kunnen smelten naargelang het voedsel erin heet wordt. Maak sneetjes, gaatjes of

	ventilatieopeningen in "kookzakken" en stevig gesloten plastic zakken volgens de aanwijzingen op de verpakking.
Huishoudfolie	Uitsluitend magnetronbestendig. Te gebruiken om voedsel af te dekken en tijdens het koken vochtverlies te voorkomen. Laat huishoudfolie het voedsel niet aanraken.
Thermometers	Uitsluitend magnetronbestendig (vlees- en snoepthermometers).
Waspapier	Te gebruiken om voedsel af te dekken en spetters of vochtverlies te voorkomen.
Materialen die u niet in een magnetronoven kunt gebruiken	
Keukengerei	Opmerkingen
Aluminium schaal	Kan tot vonkvorming leiden. Verplaats het voedsel naar een magnetronbeschendige schotel.
Voedselkarton met metalen hendel	Kan tot vonkvorming leiden. Verplaats het voedsel naar een magnetronbeschendige schotel.
Metalen keukengerei of keukengerei met een metalen rand	Metaal schermt het voedsel af tegen microgolffenergie. Metalen randen kunnen tot vonkvorming leiden.
Metalen binders	Kunnen vonkvorming en brand veroorzaken in de oven.
Papieren zakken	Kunnen brand veroorzaken in de oven.
Schuimrubber	Schuimrubber kan smelten of vloeistof in de oven verontreinigen wanneer blootgesteld aan hoge temperaturen.
Hout	Hout zal uitdrogen wanneer gebruikt in de magnetronoven en kan vervolgens scheuren of barsten.

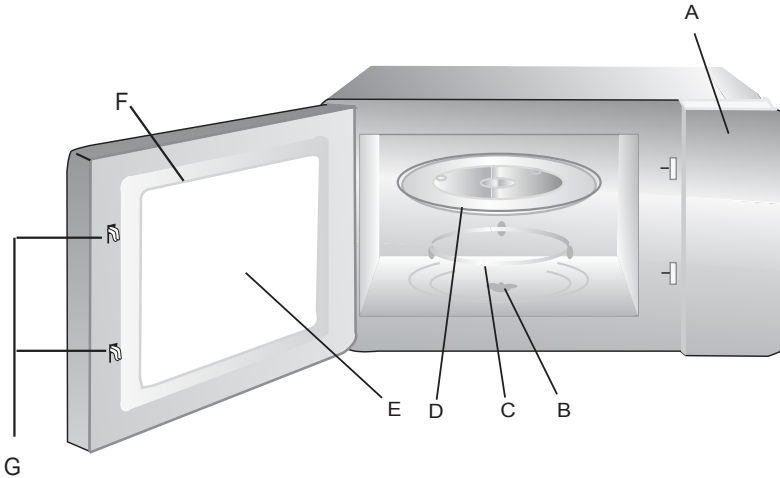
UW OVEN OPSTELLEN

Benaming van ovenonderdelen en accessoires

Haal de oven en alle materialen uit de verpakking en ovenruimte.

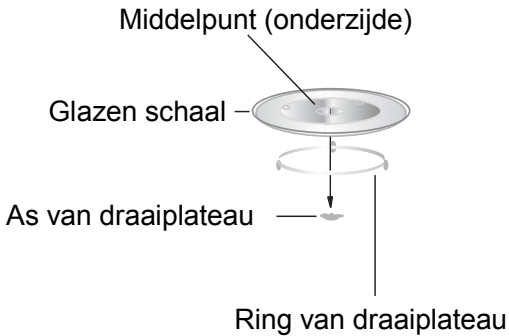
Uw oven wordt geleverd met de volgende accessoires:

Glazen schaal	1
Ring van draaiplateau	1
Gebruikshandleiding	1



- A) Bedieningspaneel
- B) As van draaiplateau
- C) Ring van draaiplateau
- D) Glazen schaal
- E) Kijkvenster
- F) Deur
- G) Veiligheidssysteem

Het draaiplateau installeren



- Plaats de glazen schaal nooit ondersteboven. De glazen schaal moet ongehinderd kunnen draaien.
- Zowel de glazen schaal als de draaiende ring moeten altijd worden gebruikt tijdens het koken.
- Zorg ervoor dat al het voedsel en alle verpakkingen van voedingsmiddelen altijd op het glazen draaiplateau voor het koken worden geplaatst.
- Als de glazen schaal of draaiende ring scheurt of barst, neem dan a.u.b. contact op met het dichtstbijzijnde, geautoriseerde servicecentrum.

Installatie op een keukenblad

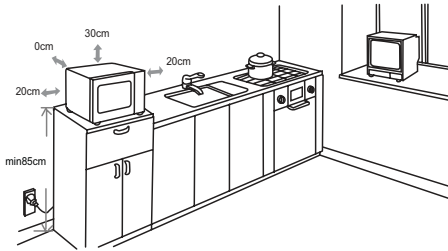
Verwijder alle verpakkingsmaterialen en accessoires. Controleer de oven op mogelijke schade zoals deuken of een kapotte deur. Niet installeren als de oven is beschadigd.

Kabinet: Verwijder alle beschermplaatjes aangebracht op de behuizing van de magnetronoven.

De lichtbruine Mica-kap, aangebracht op de binnenruimte van de oven ter bescherming van de magnetron niet verwijderen.

Installatie

1. Kies een vlakke ondergrond die voldoende open ruimte biedt voor de ventilatieopeningen.



- (1) De minimale installatiehoogte is 85cm.
 - (2) De achterkant van het apparaat moet tegen een muur worden geplaatst.
Laat een minimale speling van 30cm vrij boven de oven, een minimale speling van 20cm is vereist tussen de oven en alle naastliggende wanden.
 - (3) De voeten van de bodem van de oven nooit verwijderen.
 - (4) Blokkeren van de inlaat- en/of uitlaatopeningen kan de oven beschadigen.
 - (5) Plaats de oven zo ver mogelijk uit de buurt van radio's en tv's. Gebruik van de magnetron kan storingen veroorzaken in radio- of tv-ontvangst.
2. Sluit uw oven aan op een standaard, huishoudelijk stopcontact. Controleer of de spanning en de frequentie hetzelfde zijn als de spanning en de frequentie op het typeplaatje.

WAARSCHUWING: Installeer de oven niet op een fornuis of ander warmte-opwekkend apparaat. Als het apparaat vlakbij of boven een warmtebron wordt geïnstalleerd, dan kan de oven worden beschadigd en komt de garantie te vervallen.

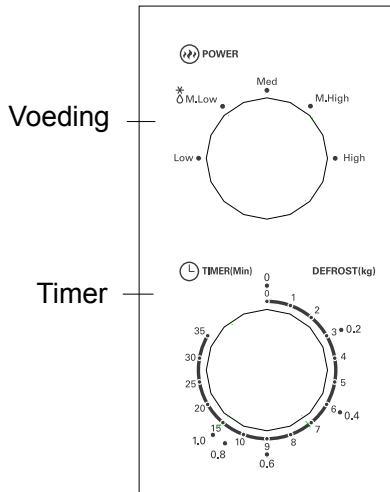
De toegankelijke oppervlaktes kunnen heet worden tijdens gebruik.



BEDIENING

Bedieningspaneel en eigenschappen

Bedieningsinstructies



1. Draai de vermogenknop naar het gewenste niveau om het kookvermogen in te stellen.
2. Stel de kooktijd in door de timerknop naar de vereiste tijd te draaien volgens de instructies van het recept.
3. De magnetronoven zal automatisch beginnen te koken zodra het vermogen en de tijd zijn ingesteld.
4. Nadat de kooktijd is verstreken, zal het apparaat "Dong" laten horen en vervolgens stoppen.
5. Stel de tijd altijd in op "0" wanneer u het apparaat niet gebruikt.

Functie/Vermogen	Uitgang	Applicatie:
Laag	17% micro.	Smelten van ijs
Gemiddeld Laag (ontdooien)	33% micro.	Goulash, boter zacht maken of ontdooien
Gemiddeld	55% micro.	Stoofpot, vis
Gemiddeld Hoog	77% micro.	Rijst, vis, kip, gehakt
Hoog	100% micro.	Opwarmen, melk, water koken, groente, dranken

Let op: Bij het verwijderen van voedsel uit de oven moet u ervoor zorgen dat het ovenvermogen is uitgeschakeld door de tijdschakelaar op 0 (nul) te zetten. Als u dit niet te doen en de magnetron gebruikt zonder voedsel, kan dit leiden tot oververhitting en schade aan de magnetron.

Probleemoplossing:

Normaal	
Magnetronoven verstoort tv-ontvangst.	Radio- en tv-ontvangst kunnen worden verstoord wanneer magnetron in gebruik is. Dit is vergelijkbaar met de interferentie van kleine elektrische apparatuur, zoals een mixer, stofzuiger en ventilator. Dit is normaal.
Dim ovenlicht	Bij het koken op laag vermogen kan het ovenlicht worden gedempt. Dit is normaal.
Stoomontwikkeling op de deur, hete lucht komt uit de ventilatieopeningen.	Tijdens het koken kan stoom uit het voedsel komen. De meeste stoom zal via de ventilatieopeningen worden afgevoerd. Een bepaalde hoeveelheid kan echter achterblijven op koele plaatsen zoals de ovendeur. Dit is normaal.
Oven start per ongeluk zonder dat er voedsel in is geplaatst.	Het is verboden het apparaat zonder voedsel in te schakelen. Dat is erg gevaarlijk

Probleem	Mogelijke Oorzaak	Oplossing
Oven start niet.	(1) Voedingskabel niet stevig aangesloten.	Koppel los. Sluit vervolgens na 10 seconden weer aan.
	(2) Zekering doorgebrand of stroomonderbreker in werking.	Vervang de zekering of reset de stroomonderbreker (laat repareren door professioneel personeel of ons bedrijf)
	(3) Probleem met stopcontact.	Test het stopcontact met andere elektrische apparatuur.
Oven verwarmt niet.	(4) Deur niet goed gesloten.	Deur goed sluiten.

ALLE RECHTEN VOORBEHOUDEN, AUTEURSRECHT DENVER
ELECTRONICS A/S

DENVER[®]
denver-electronics.com

CE



Elektrische en elektronische apparatuur bevatten materialen, componenten en stoffen die schadelijk kunnen zijn voor uw gezondheid en het milieu, indien de afvalproducten (afgedankte elektrische en elektronische apparatuur en batterijen) niet correct worden verwerkt.

Elektrische en elektronische apparatuur zijn gemarkeerd met het doorgekruiste vuilnisbaksymbooltje, zoals hierboven afgebeeld. Dit symbool is bestemd om de gebruiker er op te wijzen dat elektrische en elektronische apparatuur niet bij het overige huisvuil mogen worden weggegooid, maar gescheiden moeten worden ingezameld.

Alle steden hebben specifieke inzamelpunten, waar elektrische en elektronische apparatuur bij recyclestations of andere inzamellocaties kosteloos ingeleverd kunnen worden. In bepaalde gevallen kan het ook aan huis worden opgehaald. Vraag om meer informatie bij uw plaatselijke autoriteiten.

Importeur:
DENVER ELECTRONICS A/S
Omega 5A, Soeften
DK-8382 Hinnerup
www.facebook.com/denverelectronics



MIKROBØLGEOVN
BRUKSANVISNING
MODELL: OM-2011

Les disse instruksjonene nøye før du bruker mikrobølgeovnen, og pass godt på den.

Hvis du følger instruksjonene, vil ovnen tjenestegjøre deg godt i mange år.

PASS FORSIKTIG PÅ DISSE INSTRUKSJONENE

FORSIKTIGHETSREGLER FOR Å UNNGÅ MULIG EKSPONERING FOR OVERFLØDIG MIKROBØLGEENERGI

- (a) Ikke forsøk å bruke denne ovnen med døren åpen da dette kan resultere i at du utsettes for skadelig mikrobølgeenergi. Det er viktig å ikke ødelegge eller modifisere sikkerhetsforrigingene.
- (b) Ikke plasser noen gjenstander mellom fronten til ovnen og døren eller la smuss eller rengjøringsmidler bygge seg opp på forseglingsflatene.
- (c) **ADVARSEL:** Hvis døren eller dørforseglingene er skadet, må ikke ovnen brukes før den har blitt reparert av en fagperson.

TILLEGG

Hvis apparatets renslighet ikke vedlikeholdes, kan overflaten degraderes og påvirke livslengden til apparatet og føre til en farlig situasjon.

Spesifikasjoner

Modell:	OM-2011
Merkespenning:	230V~ 50Hz
Inngangseffekt (Mikrobølge):	1050 W
Utgangseffekt (Mikrobølge):	700 W
Ovncapasitet:	20 L
Dreieskivediameter	Ø 255 mm
Eksterne dimensjoner:	440x340x259mm
Netto vekt:	Ca. 10.2 kg

VIKTIG ADVARSEL - SIKKERHETSINSTRUKSJONER

For å redusere brannrisiko, elektriske støt, skade av personer eller eksponering for overflødig mikrobølgeenergi når du bruker apparatet ditt, må du følge grunnleggende forsiktighetsregler, inkludert følgende:

1. Les og følg de spesifiserte:
“FORSIKTIGHETSREGLER FOR Å UNNGÅ MULIG EKSPONERING FOR OVERFLØDIG MIKROBØLGEENERGI”.
2. Denne sparkesykkelen kan brukes av barn fra 8 år og oppover, og av personer med nedsatte fysiske, sensoriske eller mentale evner, eller med manglende erfaring og kunnskap, dersom de får ordentlig oppfølging, eller instruksjoner om hvordan de skal bruke den på en sikker måte, og de har fått forståelse for all risiko forbundet med den. Barn skal ikke leke med utstyret. Rengjøring og brukervedlikehold skal ikke utføres av barn bortsett fra hvis de er eldre enn 8 år og under oppsyn. Barn under 8 år skal holdes vekke hvis ikke under kontinuerlig oppsyn.
3. Hold apparatet og ledningen utenfor rekkevidde for barn hvis de er under 8 år.
4. Hvis tilførselsledningen er skadet, må den bli byttet ut av produsenten, leverandøren eller lignende kvalifiserte personer for å unngå fare. (For apparat med type Y tilbehør)
5. ADVARSEL: Pass på at apparatet er skrudd av før du bytter lampen for å unngå mulig elektrisk støt.
6. ADVARSEL: Det er farlig for alle utenom en kompetent person å utføre hvilken som helst tjeneste eller reparering som involverer fjerning av dekkelet

- som beskytter mot eksponering av mikrobølgeenergi.
7. ADVARSEL: Væsker og andre matvarer må ikke varmes opp i forseglede beholdere siden de kan eksplodere.
 8. Under oppvarming av mat i plastikk eller papirbeholdere, må du holde et øye med ovnen på grunn av mulig antennelse.
 9. Bruk kun utstyr som egnes til bruk i mikrobølgeovner.
 10. Hvis det avgis røyk, må du skru av eller dra ut stikkkontakten til apparatet og holde døren lukket for å kvele mulige flammer.
 11. Oppvarming av drikkevarer i mikrobølgeovn kan resultere i forsinket utbrytelse av koking, så beholderen må håndteres varsomt.
 12. Innholdet til tåteflasker og babyamatkrukker skal røres eller ristet og temperaturen skal sjekkes før mating for å unngå forbrenning.
 13. Egg i skallet sitt og hele hardkokte egg skal ikke varmes opp i mikrobølgeovner siden de kan eksplodere, selv etter oppvarmingen er ferdig.
 14. Ovnen skal rengjøres regelmessig og eventuelle matinntak fjernes.
 15. Svikt i å holde ovnen ren kan lede til forfall av overflaten som kan påvirke levetiden til apparatet negativt og mulig føre til en farlig situasjon.
 16. Apparatet må ikke installeres bak en dekorativ dør for å unngå overoppheting. (Dette gjelder ikke for apparater med en dekorativ dør.)
 17. Bruk kun termometeren anbefalt for denne ovnen. (For ovner gitt med en innretning for å bruke termometer.)

18. Mikrobølgeovnen skal ikke bli plassert i et skap bortsett fra hvis den har blitt testet i et skap.
19. Mikrobølgeovnen må brukes med den dekorative døren åpen, (for ovner med en dekorativ dør.)
20. Dette apparatet er ment å bli brukt i en husholdning og lignende bruk som:
 - Kjøkken for ansatte i butikker, kontor og andre arbeidsområder;
 - Av kunder på hoteller, moteller og andre overnattingsomgivelser;
 - bondegårdshus;
 - Type omgivelser som "rom og frokost".
21. Mikrobølgeovnen er ment til å varme opp mat og drikkevarer. Tørking av mat eller klær og oppvarming av varmeputer, tøfler, svamper, fuktig tøy, og lignende kan føre til risiko for skade, antennelse eller brann.
22. Metallbeholdere for mat og drikke må ikke brukes ifm. koking i mikrobølgeovn.
23. Apparatet skal ikke vaskes med en damprengjører.
24. Apparatet er ikke ment til å brukes fristående.
25. Overflaten bak apparatene skal bli plassert mot en vegg.

LES NØYE OG OPPBEVAR FOR SENERE BRUK

For å redusere risiko for skade av personer - Jordinginstallasjon

FARE

Elektrisk støffare Røring av noen av de interne komponentene kan forårsake alvorlige personlige skader eller død. Ikke demonter dette apparatet.

ADVARSEL

Elektrisk støffare Uegnet bruk av jordingen kan føre til elektrisk støt. Ikke plugg inn i en stikkontakt før apparatet er ordentlig installert og jordet.

Dette apparatet må jordes. Hvis det oppstår en elektrisk kortslutning, vil jordingen redusere risikoen for elektrisk støt ved å gi en rømningstråd for den elektriske strømmen. Ovnene er utstyrt med en ledning som har en jordingsledning med en jordingsplugg. Denne pluggen må settes inn i et veggstøpsel som er korrekt installert og jordet.

Kontakt en kvalifisert elektriker eller tjenestemann hvis jordingsinstruksjonene ikke er helt forståtte eller hvis det finnes tvil om apparatet er jordet korrekt. Hvis det er nødvendig å bruke en skjøteledning, bruk en 3-lednings skjøteledning.

1. En kort strømforsyningskabel er gitt for å redusere risikoen for å rote seg inn i eller å snuble over en lengre kabel.

2. Hvis et langkabelsett eller skjøteledning brukes:
 - 1) Spenningsraten til kabelsettet eller skjøteledningen må være minst like høy som spenningsraten til apparatet.
 - 2) Skjøteledningen må være en type jordet 3-ledningskabel.
 - 3) Skjøteledningen må være lagt på plass slik at den ikke ligger over benken eller bordet hvor barn kan dra den eller snuble over den uten vilje.

RENGJØRING

Pass på at du plugges ut apparatet fra strømforsyningen.

1. Vask innsiden av ovnen etter bruk med et litt fuktig tøyestykke.
2. Vask tilbehøret på den vanlige måten med såpevann.
3. Dørrammen og seglingen og delen ved siden av må vaskes forsiktig med et fuktig tøyestykke når de er skitne.
4. Bruk ikke abrasive vaskeredskaper eller skrapere med skarpt metall til å rengjøre glasset til ovndøren da de kan skrape overflaten som kan resultere i at glasset knuser.
5. Rengjøringsstips---For enklere rengjøring av veggene på innsiden som oppvarmet mat kan berøre: Legg en halv sitron i en bolle, legg til 300ml (1/2 pint) vann og varm opp på 100 % mikrobølgeeffektnivå i 10 minutter. Tørk ovnen ren med et mykt, tørt tøyestykke.

REDSKAPER

ADVARSEL

Personlig skadefare

Det er farlig for alle utenom en kompetent person å utføre hvilken som helst tjeneste eller reparering som involverer fjerning av dekselet som beskytter mot eksponering av mikrobølgeenergi.

Se instruksjonene i “Materialer du kan bruke i mikrobølgeovnen eller som skal unngås i mikrobølgeovnen”. Det kan være ikke-metalliske redskaper som ikke er trygge å bruke i bruk av mikrobølgeovn. Er du i tvil, kan du teste redskapene det er snakk om ved å følge prosedyren nedenfor.

Redskapstest:

1. Fyll en mikrobølge-trygg beholder med 1 kopp vann (250ml) sammen med redskapet det er snakk om.
2. Varm på maksimum effektnivå i 1 minutt.
3. Berør redskapet forsiktig. Hvis redskapet er varmt, bruk ikke til mikrobølgeoppvarming.
4. Ikke overstig 1 minutt med oppvarmingstid.

Materialer du kan bruke i mikrobølgeovnen

Redskaper	Anmerkningen
Mikrobølgestekepanne	Følg produsentens instruksjoner. Bunnen av mikrobølgestekepannen må være minst 3/16 tommer (5mm) over dreieskiven. Ukorrekt bruk kan føre til at dreieskiven ødelegges.
Bordservise	Kun trygge for mikrobølgeovn. Følg produsentens instruksjoner. Bruk ikke sprukne eller servise med avknekte deler.
Glasskrukker	Ta alltid av lokket. Bruk kun til å varme opp mat til den akkurat blir varm. De fleste glasskrukker tåler ikke varme og kan knuse.
Glassvarer	Kun varmebestandige glassvarer for bruk i ovn. Pass på at det ikke er noen metalleder. Bruk ikke sprukne eller servise med avknekte deler.
Kokeposer for stekeovn	Følg produsentens instruksjoner. Ikke lukk med metallbånd. Lag små hull for å la dampen komme ut.
Papirtallerkener og kopper.	Bruk kun for korttidsoppvarming. Ikke la ovnen stå ubevoktet under oppvarming.
Papirservietter	Bruk for å dekke til mat for gjenoppvarming . Bruk kun med oppsyn for en korttidsoppvarming.
Pergamentpapir	Bruk en tilkdekning for å forhindre skvetting eller en innpakning for damping.
Plastikk	Kun trygge for mikrobølgeovn. Følg produsentens instruksjoner. Burde være merket som "Trygg for mikrobølgeovn". Noen plastikkbeholdere blir myke når maten inni blir varm. "Kokeposer" og tett innpakkede plastikkposer bør ha hull i seg, punktert eller

ventilert som vist på pakken.

Plastfolie	Kun trygge for mikrobølgeovn. Bruk til å dekke til mat under oppvarming for å beholde fuktighet. Ikke la plastikkfolien berøre mat.
Termometre	Kun trygge for mikrobølgeovn (kjøtt og godteri-termometre).
Vokspapir	Bruk som tildekning for å forhindre skvetting og beholde fuktighet.
Materialer skal unngås å ha i mikrobølgeovn	
Redskaper	Anmerkningen
Aluminiumsbrett	Kan forårsake bøyning. Overfør mat over til et servise som er trygt for mikrobølgeovn.
Matkartong med metallhåndtak	Kan forårsake bøyning. Overfør mat over til et servise som er trygt for mikrobølgeovn.
Metall eller metalltrimmede redskaper.	Metall skjolder maten fra mikrobølgeovnenenergi. Metalltrimming kan forårsake bøyning.
Metalloppbindingstråd	Kan føre til bøyning og kan forårsake en brann i ovnen.
Papirposer	Kan forårsake en brann i ovnen.
Skumplast	Skumplast kan smelte eller forurense væsken inni når eksponert for høye temperaturer.
Tre	Tre vil tørke opp når brukt i mikrobølgeovnen og kan knekke eller sprekke opp.

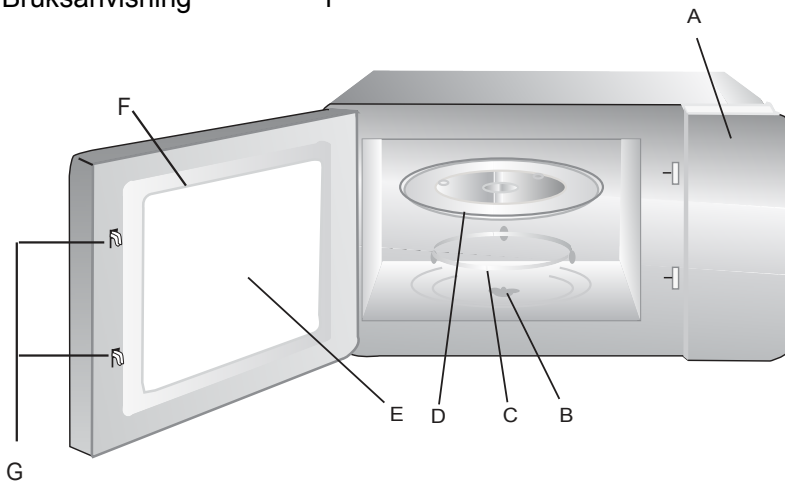
Oppsett av ovnen din

Navn på ovndeler og tilbehør

Fjern ovnen og alle materialer fra kartongen og inni ovnen.

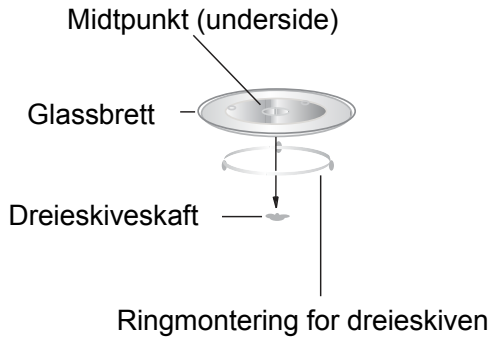
Ovnen din kommer med det følgende tilbehøret:

Glassbrett	1
Ringmontering	for 1
dreieskiven	
Bruksanvisning	1



- A) Kontrollpanel
- B) Dreieskiveskaft
- C) Ringmontering for dreieskiven
- D) Glassbrett
- E) Observasjonsvindu
- F) Dørmontering
- G) Forriglingsystem

Dreieskiveinstallasjon



- Aldri legg glassbrettet opp ned. Glassbrettet skal aldri være holdt igjen.
- Både glassbrett og dreieskivemonteringen skal alltid bli brukt under oppvarming.
- All mat og beholdere av mat skal alltid bli plassert på glassbrettet under oppvarming.
- Hvis glassbrettet eller dreieskivemonteringen knekker eller ødelegges, må du kontakte ditt nærmeste autoriserte hjelpesenter.

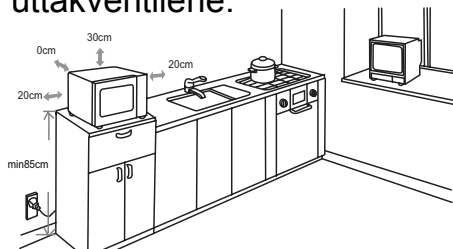
Benkeplateinstallasjon

Fjern alle innpakkingsmaterialer og tilbehør. Undersøk ovnen for skader som bulker eller ødelagt dør. Ikke sett opp hvis ovnen er skadd. Kabinett: Fjern beskyttelsesplast funnet på kabinettoverflaten til mikrobølgeovnen.

Fjern ikke det brune Mica-dekselet som er festet på innsiden av ovnen for å beskytte magnetronet.

Installasjon

1. Velg en flat overflate som gir nok åpen plass til inntak og/eller uttakventilene.



- (1) Minimum installasjonshøyde er 85cm.
 - (2) Bakdelen av apparatet skal være plassert mot en vegg.
Gi en minimum klaring på 30cm over ovnen, en minimum klaring på 20cm er krevd mellom ovnen og vegger ved siden av.
 - (3) Fjern ikke beina fra undersiden av ovnen.
 - (4) Blokkering av inntaket og/eller uttaket av ovnen kan skade ovnen.
 - (5) Plasser ovnen så langt vekk fra radioer og TVer som mulig. Bruk av mikrobølgeovnen kan skape interferens til radioen eller TVen din.
2. Plugg inn ovnen din i et standard husholdningsstøpsel. Sjekk at spenning og frekvens er de samme som spenningen og frekvensen som er indikert på etiketten.

ADVARSEL: Ikke installer ovnen over en gassovn eller noe annet varmeproduserende apparat. Hvis installert over en varmekilde, kan ovnen skades og garantien vil bli ugyldig.

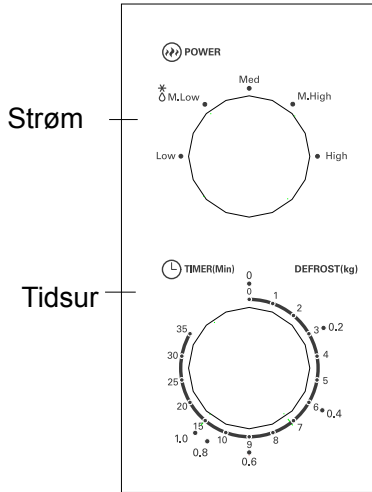
Den tilgjengelige overflaten kan bli varm under bruk.



BETJENING

Kontrollpanel og funksjoner

Bruksinstruksjoner



1. For å sette effektnivå ved å skru på kraftknappen til ønsket nivå.
2. For å sette tiden til oppvarmingen ved å snu på timer-knappen til ønsket nivå ut i fra matlagingsguiden din.
3. Mikrobølgeovnen vil automatisk begynne oppvarmingen etter at effektnivå og tid er satt.
4. Etter at oppvarmingstiden er ferdig, vil enheten "Dinge" til å stoppe.
5. Sett alltid tid til "0" hvis enheten ikke er i bruk.

Funksjon/effektnivå	Utgang	Applikasjon
Lav	17% mikro.	Tine iskem
Med. Lav (Tining)	33% mikro.	Suppegryte, mykgjør smør eller tine
Med.	55% mikro.	Gryte, fisk
Med. Høy	77% mikro.	Ris, fisk, kylling, kjøttdeig
Høy	100% mikro.	Gjenoppvarm, melk, kok vann, grønnsaker, drikkevarer

Merk: Når du fjerner mat fra ovnen, pass på at ovneffekt er skrudd av ved å sette timer-knappen til 0 (Null). Svikt i å gjøre dette, og bruk av mikrobølgeovnen uten mat inni, kan resultere i overoppheting og skade på magnetronet.

Feilsøking:

Normal	
Mikrobølgeovn som interfererer med TV-signalet	Radio og TV-signal kan interfereres når mikrobølgeovnen brukes. Det er lignende interferensen til små elektriske apparater, som mikser, støvsuger, og elektrisk vifte. Det er normalt.
Dimmet ovnlys	I laveffekts oppvarming med mikrobølgeovn, kan ovnlyset bli dimmet. Det er normalt.
Damp samlet opp på døren, varm luft ut av ventilene.	Under oppvarming, kan damp komme ut av maten. Mesteparten vil komme ut av ventilene. Men noe vil samle seg opp på et kaldt sted, som ovndøren. Det er normalt.
Ovn startet uten vilje uten mat inni.	Det er forbudt å bruke enheten uten noe mat inni. Det er veldig farlig.

Problemer	Mulig årsak	Reparering
Ovn kan ikke startes.	(1) Strømkabel ikke satt inn godt.	Plugg ut. Deretter plugg inn igjen etter 10 sekunder.
	(2) Sikring går eller strømbryter fungerer.	Erstatt sikring eller nullstille strømbryter (reparert av profesjonelt personell i selskapet vårt)
	(3) Problemer med uttak.	Test uttak med andre elektriske apparater.
Ovnen varmer ikke opp.	(4) Dør lukkes ikke ordentlig.	Dør lukkes ordentlig.

MED ENERETT, OPPHAVSRETT DENVER ELECTRONICS A/S

DENVER[®]
denver-electronics.com

CE



Elektrisk og elektronisk utstyr inneholder materialer, komponenter og stoffer som kan være farlig for din helse og for miljøet, hvis materialet (kassert elektrisk og elektronisk utstyr) ikke håndteres riktig.

Elektrisk og elektronisk utstyr er merket med en søppelbøtte med kryss over, som vist ovenfor. Dette symbolet betyr at elektrisk og elektronisk utstyr ikke skal kastes sammen med husholdningsavfall, men håndteres separat.

Alle byer har opprettet innsamlingspunkter, hvor elektrisk og elektronisk utstyr kan enten leveres inn gratis på resirkuleringsstasjoner og innsamlingspunkter, eller samles inn fra husholdninger. Mer informasjon er tilgjengelig hos lokale tekniske avdelinger.

Importert av:

DENVER ELECTRONICS A/S

Omega 5A, Soefte

DK-8382 Hinnerup

www.facebook.com/denverelectronics



MIKROFALÓWKA
INSTRUKCJA OBSŁUGI
TYP: OM-2011

Przed rozpoczęciem korzystania z mikrofalówki należy uważnie przeczytać niniejsze instrukcje oraz zachować je na przyszłość. Jeśli instrukcje będą przestrzegane, mikrofalówka będzie służyć przez wiele lat.

NALEŻY ZACHOWAĆ NINIEJSZE INSTRUKCJE

ŚRODKI BEZPIECZEŃSTWA MAJĄCE NA CELU ZAPOBIEŻENIE MOŻLIWEMU NARAŻENIU NA PROMIENIOWANIE MIKROFALÓWKI

- (a) Nie należy próbować obsługiwać mikrofalówki z otwartymi drzwiczkami, gdyż może to spowodować narażenie na szkodliwe promieniowanie mikrofalówki. Ważne jest, by nie uszkodzić ani nie próbować modyfikować blokad bezpieczeństwa.
- (b) Nie należy umieszczać żadnych przedmiotów między przodem mikrofalówki a drzwiczkami ani nie pozwolić, by zabrudzenia lub pozostałości po środkach czyszczących zbierały się na powierzchniach uszczelniających.
- (c) **OSTRZEŻENIE:** Jeśli drzwiczki lub uszczelka na drzwiczkach są uszkodzone, nie wolno korzystać z mikrofalówki, dopóki nie zostanie ona naprawiona przez wyszkoloną osobę.

UZUPEŁNIENIE

Jeśli urządzenie nie jest zachowane w odpowiedniej czystości, jego powierzchnia może ulec degradacji i wpłynąć na żywotność urządzenia oraz doprowadzić do niebezpiecznej sytuacji.

Specyfikacje

Model:	OM-2011
Napięcie znamionowe:	230 V~ 50 Hz
Znamionowa moc wejściowa (mikrofalówka):	1050 W
Znamionowa moc wyjściowa (mikrofalówka):	700 W
Pojemność mikrofalówki:	20 L
Średnica talerza obrotowego	Ø 255 mm
Wymiary zewnętrzne:	440 x 340 x 259 mm
Ciężar netto:	Ok. 10,2 kg

WAŻNE OSTRZEŻENIA I ŚRODKI OSTROŻNOŚCI

Aby obniżyć zagrożenie pożarem, porażeniem elektrycznym, obrażeniami ciała lub narażenie na nadmiar mikrofal podczas korzystania z urządzenia, należy stosować się do podstawowych środków ostrożności włącznie z poniższymi:

1. Przeczytaj i stosuj niżej wymienione: „ŚRODKI BEZPIECZEŃSTWA MAJĄCE NA CELU ZAPOBIEŻENIE MOŻLIWEMU NARAŻENIU NA PROMIENIOWANIE MIKROFALÓWKI”.
2. Z niniejszego urządzenia mogą korzystać dzieci od lat 8 oraz osoby o ograniczonych zdolnościach fizycznych, postrzegania i umysłowych lub nie posiadające doświadczenia i wiedzy, jeśli pozostają pod nadzorem lub zostały poinstruowane odnośnie korzystania z urządzenia w bezpieczny sposób i rozumieją związane z tym zagrożenia. Dzieci nie powinny bawić się urządzeniem. Czyszczenie i konserwacja przeprowadzane przez użytkownika nie powinny być dokonywane przez dzieci, chyba że mają ukończone przynajmniej 8 lat i są nadzorowane. Dzieci młodsze niż 8 rok życia nie powinny przebywać w pobliżu urządzenia, chyba że są pod stałym nadzorem.
3. Urządzenie oraz jego kabel zasilania powinny znajdować się poza zasięgiem dzieci poniżej 8 roku życia.
4. Jeśli kabel zasilający jest uszkodzony, to dla uniknięcia zagrożenia, musi być on wymieniony przez producenta, serwisanta lub podobnie wykwalifikowaną osobę. (W przypadku urządzeń ze złączem typu Y)

5. OSTRZEŻENIE: Przed wymianą lampy upewnij się, że urządzenie jest wyłączone, by uniknąć możliwego porażenia elektrycznego.
6. OSTRZEŻENIE: Z powodów bezpieczeństwa tylko wykwalifikowany serwisant powinien przeprowadzać wszelkie usługi serwisowe oraz naprawy wymagające usunięcia pokrywy, która chroni przed narażeniem na mikrofałę.
7. OSTRZEŻENIE: Płyny oraz inne rodzaje żywności nie mogą być podgrzewane w uszczelnionych pojemnikach, gdyż mogą wybuchnąć.
8. Jeśli żywność znajduje się w plastikowym lub papierowym pojemniku, należy pilnować mikrofalówki z powodu możliwości zapalenia.
9. Należy korzystać wyłącznie z przyborów odpowiednich do mikrofalówek.
10. Jeśli wydobywa się dym, należy urządzenie wyłączyć lub odłączyć od gniazda oraz nie otwierać drzwiczek, by stłumić wszelkie płomienie.
11. Podgrzewanie napojów w mikrofalówce może spowodować opóźnione wykipienie, należy zatem zachować ostrożność podczas trzymania pojemnika.
12. Zawartość butelek dla niemowląt oraz słoiczków z żywnością dla dzieci powinna być zamieszana lub wstrząśnięta, a temperatura sprawdzona przed podaniem, by uniknąć poparzeń.
13. Jaja w skorupkach oraz całe ugotowane na twardo nie powinny być w mikrofalówce podgrzewane, gdyż mogą wybuchnąć, nawet jeśli podgrzewanie mikrofalówce się zakończyło.
14. Mikrofalówka powinna być regularnie czyszczona, a wszelkie pozostałości żywności usunięte.

15. Niezachowanie mikrofalówki w czystości może doprowadzić do pogorszenia stanu powierzchni, co może negatywnie wpłynąć na żywotność urządzenia oraz powodować zagrożenie.
16. Urządzenie nie może być umieszczone za dekoracyjnymi drzwiczkami, by uniknąć przegrzania (nie na to zastosowania w przypadku urządzeń z udekorowanymi drzwiczkami).
17. Należy korzystać wyłącznie z czujnika temperatury zalecanego do tej mikrofalówki (w przypadku mikrofalówek z funkcją umożliwiającą korzystanie z czujnika temperatury).
18. Mikrofalówka nie powinna być umieszczona w szafkach, chyba że została w szafce przetestowana.
19. Mikrofalówka musi pracować z otwartymi dekoracyjnymi drzwiczkami (w przypadku mikrofalówek z dekoracyjnymi drzwiczkami).
20. Niniejsze urządzenie jest przeznaczone do użycia w gospodarstwach domowych i podobnych miejscach jak:
 - kuchnie pracownicze w sklepach, biurach i innych środowiskach zatrudnienia;
 - przez gości hotelowych, motelowych oraz innych rodzajach miejsc zamieszkania;
 - gospodarstwa rolne;
 - W pensjonatach.
21. Mikrofalówka jest przeznaczona do podgrzewania żywności i napojów. Suszenie żywności lub odzieży oraz podgrzewanie podkładek ogrzewających, kapci, gąbek, wilgotnych ściereczek i tym podobnych może prowadzić do zagrożenia obrażeniami ciała, zapaleniem lub pożarem.
22. Podczas gotowania w mikrofalówce nie wolno używać metalowych pojemników na żywność lub napoje.

23. Urządzenie nie powinno być czyszczone strumieniem pary.
24. Urządzenie powinno być wolno stojące.
25. Tylna powierzchnia urządzenia powinna być skierowana do ściany.

PROSZĘ UWAŻNIE PRZECZYTAĆ I ZACHOWAĆ NA PRZYSZŁOŚĆ

**Aby zmniejszyć zagrożenie obrażeniami ciała, należy
uziemić podczas instalacji
NIEBEZPIECZEŃSTWO**

Zagrożenie porażeniem elektrycznym. Dotknięcie niektórych elementów wewnętrznych może spowodować poważne obrażenia ciała lub śmierć. Nie należy rozmontowywać tego urządzenia.

OSTRZEŻENIE

Zagrożenie porażeniem elektrycznym. Nieprawidłowe uziemienie może spowodować porażenie elektryczne. Nie należy podłączać wtyczki do gniazda, dopóki urządzenie nie zostanie prawidłowo zainstalowane i uziemione.

To urządzenie musi być uziemione. W przypadku krótkiego spięcia, uziemienie obniża zagrożenie porażeniem elektrycznym, zapewniając drogę wyładowania prądu elektrycznego. Urządzenie to jest wyposażone w kabel i wtyczkę z przewodem uziemiającym. Wtyczka musi być podłączona do gniazda, które jest prawidłowo zamontowane i uziemione.

Jeśli instrukcje uziemiania nie są w pełni jasne lub jeśli istnieją wątpliwości, czy urządzenie jest prawidłowo uziemione, należy skonsultować się z wykwalifikowanym elektrykiem lub serwisantem. Jeśli konieczne jest użycie przedłużacza, należy korzystać wyłącznie z trójprzewodowego przedłużacza.

1. Krótki kabel zasilania w zestawie ma na celu zmniejszenie zagrożenia wynikającego z zaplątania lub potknięcia się o dłuższy kabel.

2. Jeśli w zestaw wchodzi długi kabel lub użyty został przedłużacz:
 - 1) Napięcie elektryczne dołączonego kabla lub przedłużacza powinno być przynajmniej w wysokości napięcia elektrycznego urządzenia.
 - 2) Przedłużacz musi być trójprzewodowym rodzajem kabla.
 - 3) Długi kabel musi być umieszczony tak, by nie zwisał z blatu ani stołu, gdzie mógłby być pociągnięty przez dzieci lub spowodować przypadkowe potknięcie.

CZYSZCZENIE

Należy pamiętać o odłączeniu urządzenia od źródła zasilania.

1. Wnętrze mikrofalówki należy czyścić po użyciu przy pomocy nieco nawilżonej ściereczki.
2. Akcesoria należy czyścić zwyczajnie w namydlonej wodzie.
3. Ramę drzwiczek i uszczelkę oraz sąsiednie elementy muszą być ostrożnie czyszczone wilgotną ściereczką, jeśli są zabrudzone.
4. Nie należy używać ściernych środków czyszczących ani ostrych przedmiotów do czyszczenia szkła drzwiczek mikrofalówki, gdyż mogą one porysować powierzchnię, co może spowodować pęknięcie szkła.
5. Wskazówki dotyczące czyszczenia — do łatwiejszego czyszczenia wewnętrznych ścianek, których może dotykać ugotowana żywność: Umieść pół cytryny w miseczce, dodaj 300 ml wody i podgrzej na 100% mikrofalówki przez około 10 minut. Wytrzyj mikrofalówkę do czysta, używając miękkiej, suchej ściereczki.

PRZYBORY OSTROŻNIE

Zagrożenie obrażeniami ciała

Z powodów bezpieczeństwa tylko wykwalifikowany serwisant powinien przeprowadzać wszelkie usługi serwisowe oraz naprawy wymagające usunięcia pokrywy, która chroni przed narażeniem na mikrofałe.

Patrz instrukcje w „Materiały, których można użyć w mikrofalówce oraz te, których należy unikać”. Niektóre niemetaliczne przybory mogą nie być bezpieczne do użycia w mikrofalówce. W przypadku wątpliwości można przetestować rzeczony przybór w poniższy sposób.

Test przyborów:

1. Wypełnij pojemnik bezpieczny do użycia w mikrofalówce 1 szklanką wody (250 ml) wraz z rzeczonym przyborem.
2. Gotuj na maksymalnej mocy przez około 1 minutę.
3. Ostrożnie dotknij przyboru. Jeśli pusty przybór jest ciepły, nie używaj go to mikrofalówce.
4. Nie przekraczaj 1 minuty podgrzewania.

Materiały, które można używać w mikrofalówce

Przybory	Uwagi
Naczynie do przypiekania	Postępuj zgodnie z instrukcjami producenta. Spód naczynia do przypiekania musi być przynajmniej 5 mm ponad talerzem obrotowym. Nieprawidłowe użycie może spowodować pęknięcie talerza obrotowego.
Zestaw obiadowy	Tylko bezpieczny do użycia w mikrofalówce. Postępuj zgodnie z instrukcjami producenta. Nie korzystaj z pękniętych lub wyszczerbionych naczyń.
Szklane słoiki	Zawsze usuwaj pokrywę. Używaj wyłącznie do podgrzewania żywności, aż stanie się ciepła. Większość szklanych słoików nie jest odporna na gorąco i może pęknąć.
Szklane naczynia	Tylko żaroodporne szklane naczynia. Upewnij się, że nie mają metalowej krawędzi. Nie korzystaj z pękniętych lub wyszczerbionych naczyń.
Torebki do gotowania w mikrofalówce	Postępuj zgodnie z instrukcjami producenta. Nie zamykaj metalowym wiązaniem. Zrób otwory, by para mogła wydobywać się na zewnątrz.
Papierowe talerzyki i kubki	Używaj tylko do krótkiego gotowania/podgrzewania. Nie pozostawiaj mikrofalówki podczas gotowania bez nadzoru.
Ręczniki papierowe	Użyj do przykrycia żywności podczas ponownego podgrzewania i do wchłonięcia tłuszczu. Używaj pod nadzorem tylko do krótkotrwałego gotowania.
Papier do pieczenia	Użyj do przykrycia, by zapobiec rozpryskom lub zawinięcia podczas gotowania na parze.
Plastik	Tylko bezpieczny do użycia w mikrofalówce. Postępuj zgodnie z instrukcjami producenta. Powinny posiadać informację „Bezpieczne do użycia w mikrofalówce”. Niektóre pojemniki plastikowe

	<p>mogą zmięknąć, jeśli żywność w środku jest gorąca. „Torebki do gotowania” oraz szczelnie zamknięte torebki plastikowe powinny być nacięte, przekłute lub wentylowane, jak opisano na opakowaniu.</p>
Folia plastikowa	Tylko bezpieczny do użycia w mikrofalówce. Użyj do przykrycia żywności podczas gotowania w celu zachowania wilgoci. Nie należy pozwolić, by folia plastikowa dotykała żywności.
Termometry	Tylko do zastosowania w mikrofalówkach (termometry do mięsa i wypieków).
Papier woskowany	Użyj do przykrycia, by zapobiec rozpryskowi i zachować wilgotność.
Materiały, których nie należy używać w mikrofalówce	
Przybory	Uwagi
Tacka aluminiowa	Może spowodować wyginanie. Przenieś żywność do naczynia odpowiedniego do mikrofalówki.
Karton żywnościowy z metalową rączką.	Może spowodować wyginanie. Przenieś żywność do naczynia odpowiedniego do mikrofalówki.
Przybory metalowe lub z metalowymi wykończeniami	Metal osłania żywność przed mikrofalami. Metalowe wykończenia mogą powodować wygięcie.
Metalowe wiązania	Mogą spowodować wyginanie oraz przyczynić się do pożaru w mikrofalówce.
Papierowe torebki	Mogą spowodować pożar w mikrofalówce.
Pianka plastikowa	Po wystawieniu na wysoką temperaturę pianka plastikowa może się stopić lub zanieczyścić płyn w środku.
Drewno	Drewno wyschnie podczas użycia w mikrofalówce i może pęknąć lub złamać się.

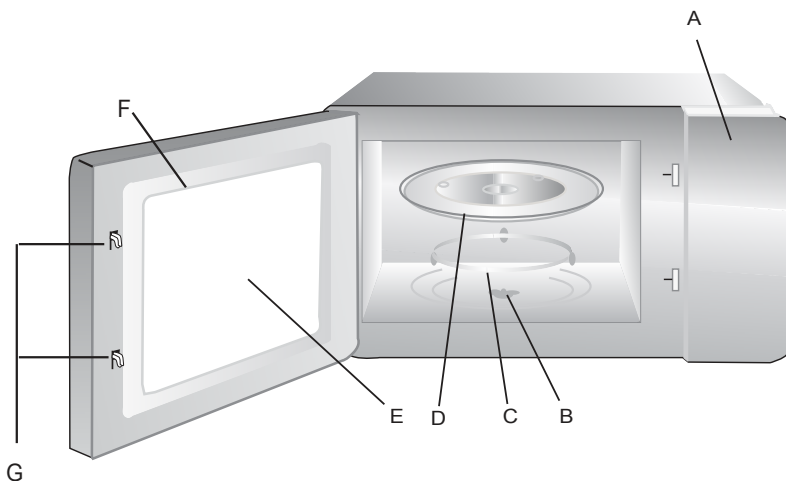
PRZYGOTOWANIE MIKROFALÓWKI

Nazwy elementów i akcesoriów mikrofalówki

Wyjmij mikrofalówkę i wszystkie elementy z pudełka i wnętrza mikrofalówki.

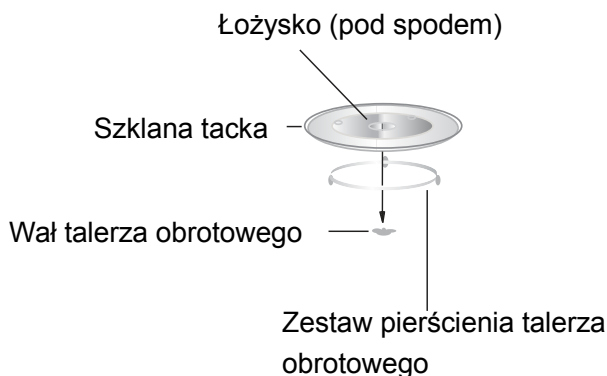
Do mikrofalówki dołączone są następujące akcesoria:

Szklana tacka	1
Zestaw pierścienia talerza obrotowego	1
Instrukcja obsługi	1



- A) Panel kontrolny
- B) Wał talerza obrotowego
- C) Zestaw pierścienia talerza obrotowego
- D) Szklana tacka
- E) Okienko podglądu
- F) Zestaw drzwiczek
- G) Bezpieczny system blokady

Montaż talerza obrotowego



- Nigdy nie umieszczaj szklanej tacki do góry dnem. Szklana tacka nigdy nie powinna napotykać przeszkód.
- Podczas gotowania zawsze muszą być użyte zarówno szklana tacka, jak i pierścień talerza obrotowego.
- Cała żywność i pojemniki na żywność podczas gotowania muszą być zawsze umieszczone na szklanej tacce.
- Jeśli szklana tacka lub pierścień talerza obrotowego pękną lub się stłuką, należy skontaktować się z najbliższym punktem serwisowym.

Montaż na blacie

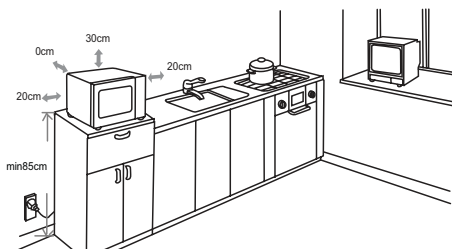
Usuń wszelkie materiały opakowania i akcesoria. Sprawdź, czy mikrofalówka jest wolna od uszkodzeń jak wgniecenia lub pęknięte drzwiczki. Nie montuj mikrofalówki, jeśli jest uszkodzona.

Obudowa: Usuń folię ochronną, znajdującą się na powierzchni obudowy mikrofalówki.

Nie usuwaj jasnobrązowej pokrywy miki, znajdującej się w środku, chroniącej magnetron.

Montaż

1. Wybierz równą powierzchnię, zapewniającą wystarczająco otwartego miejsca dla wlotu i/lub wylotu powietrza.



- (1) Minimalna wysokość montażu wynosi 85 cm.
 - (2) Tylna powierzchnia urządzenia powinna być skierowana do ściany.
Pozostaw przynajmniej 30 cm wolnego miejsca ponad mikrofalówką, przynajmniej 20 cm między mikrofalówką i każdą ścianą.
 - (3) Nie usuwaj nóżek ze spodu mikrofalówki.
 - (4) Zablokowanie wlotów i/lub wylotów powietrza może uszkodzić mikrofalówkę.
 - (5) Umieść mikrofalówkę tak daleko od odbiorników radiowych i telewizyjnych, jak to tylko możliwe.
Pracująca mikrofalówka może spowodować zakłócenia odbioru radiowego lub telewizyjnego.
2. Podłącz mikrofalówkę do standardowego gniazda domowego. Upewnij się, że napięcie i częstotliwość są takie same, jak napięcie i częstotliwość na tabliczce znamionowej.

OSTRZEŻENIE: Nie montuj mikrofalówki ponad płytą kuchenną ani żadnym innym wydzielającym gorąco urządzeniem. Jeśli urządzenie jest zainstalowane w pobliżu lub ponad źródłem gorąca, mikrofalówka może zostać uszkodzona, a gwarancja unieważniona.

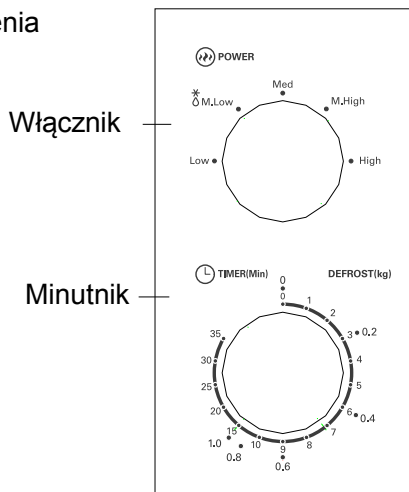
Podczas pracy dostępne powierzchnie mogą się nagrząć.



OBSŁUGA

Panel sterowania i funkcje

Obsługa urządzenia



1. Aby ustawić moc gotowania, przekręć pokrętko mocy na żądany poziom.
2. Aby ustawić czas gotowania, przekręć pokrętko minutnika na żądany czas zgodny z instrukcjami gotowania żywności.
3. Mikrofalówka automatycznie rozpocznie gotowanie po ustawieniu poziomu mocy i czasu.
4. Gdy gotowanie się zakończy, rozlegnie się dźwięk dzwonka, informujący o zatrzymaniu.
5. Jeśli urządzenie nie jest używane, czas należy zawsze ustawić na „0”.

Funkcja/włącznik	Wyjście	Zastosowanie
Niski	17% mocy	Zmiękczenie lodów
Średni Niski (rozmrzanie)	33% mocy	Gulasz, zmiękczenie masła lub rozmrażanie
Średni	55% mocy	Gulasz, ryba
Średni Wysoki	77% mocy	Ryż, ryba, kurczak, mielone mięso
Wysoki	100% mocy	Podgrzewanie, mleko, gotowanie wody, warzywa, napoje

Uwaga: Podczas wyjmowania żywności z mikrofalówki należy upewnić się, że zasilanie mikrofalówki jest wyłączone poprzez przekręcenie minutnika do pozycji 0 (zero). Niezastosowanie się oraz działająca mikrofalówka bez żywności w środku może spowodować przegrzanie oraz uszkodzić magnetron.

Rozwiązywanie problemów:

Normalne	
Mikrofalówka zakłóca odbiór sygnału telewizyjnego	Pracująca mikrofalówka może powodować zakłócenia odbioru radiowego i telewizyjnego. Jest to efekt podobny do zakłóceń małych urządzeń elektrycznych jak mikser, odkurzacz i wentylator elektryczny. Jest to normalne.
Przyciemnianie światła mikrofalówki	Podczas gotowania w mikrofalówce na niskiej mocy światło wewnątrz może się przyciemnić. Jest to normalne.
Para zbierająca się na drzwiczkach, gorące powietrze wydobywające z otworów wentylacyjnych	Podczas gotowania z żywności może parować. Większość ujdzie otworami wentylacyjnymi. Lecz nieco może zebrać się w chłodniejszym miejscu, jak drzwiczki mikrofalówki. Jest to normalne.
Mikrofalówka przypadkowo uruchomiona pusta.	Nie wolno włączać urządzenia, jeśli w środku nie ma żywności. Jest to bardzo niebezpieczne.

Problem	Możliwa przyczyna	Rozwiązanie
Nie można włączyć mikrofalówki.	(1) Kabel zasilania nie jest dokładnie podłączony.	Odłącz. Następnie po 10 sekundach ponownie podłącz.
	(2) Wyłącza się bezpiecznik lub uruchamia zabezpieczenie elektryczne.	Wymień bezpiecznik lub zresetuj zabezpieczenie elektryczne (naprawa przeprowadzona przez wykwalifikowany personel naszej firmy).
	(3) Problem z gniazdem.	Przetestuj gniazdo z innym urządzeniem elektrycznym.
Mikrofalówka nie grzeje.	(4) Drzwiczki nie są prawidłowo zamknięte.	Domknij drzwiczki.

WSZYSTKIE PRAWA ZASTRZEŻONE, PRAWA AUTORSKIE DENVER ELECTRONICS A/S

DENVER[®]
denver-electronics.com



Sprzęt elektryczny i elektroniczny zawiera materiały, elementy oraz substancje, które mogą być niebezpieczne dla zdrowia i środowiska, jeśli materiał odpadowy (wyrzucony sprzęt elektryczny, elektroniczny) nie są właściwie potraktowane.

Sprzęt elektryczny i elektroniczny i baterie oznaczone są przekreślonym symbolem śmietnika, patrz wyżej. Ten symbol oznacza, że sprzęt elektryczny i elektroniczny nie powinien być wyrzucany z innymi odpadami domowymi, ale powinien być usuwany oddzielnie.

Wszystkie miasta mają ustalone miejsca zbiórki sprzętu elektrycznego i elektronicznego, gdzie można go bezpłatnie oddać w stacjach recyklingu i innych miejscach zbiórki lub zlecić jego odbiór z gospodarstw domowych. Dodatkowe informacje znajdują się w wydziale technicznym urzędu miasta.

Importer:

DENVER ELECTRONICS A/S

Omega 5A, Soeften

DK-8382 Hinnerup

www.facebook.com/denverelectronics



Forno Micro-ondas

MANUAL DE INSTRUÇÕES

MODELO: OM-2011

Leia estas instruções de forma atenta antes de usar o seu forno micro-ondas e guarde-as num local seguro.

Se seguir as instruções, o seu forno irá dar-lhe muitos anos de funcionamento.

GUARDE ESTAS INSTRUÇÕES NUM LOCAL SEGURO

PRECAUÇÕES PARA EVITAR UMA POSSÍVEL EXPOSIÇÃO À ENERGIA MICRO-ONDAS

- (a) Não tente operar este forno com a porta aberta, pois isso pode resultar numa exposição prejudicial à energia micro-ondas. É importante não partir ou estragar os encaixes de segurança.
- (b) Não coloque nenhum objeto entre a frente do forno e a porta, ou permita que resíduos de terra ou produtos de limpeza se acumulem nas superfícies de selagem.
- (c) ADVERTÊNCIA: Se a porta ou as juntas da porta se danificarem, o forno não deve ser operado até que seja reparado por uma pessoa competente.

ADENDA

Se o aparelho não for mantido num estado de constante limpeza, a sua superfície pode deteriorar-se e afetar a vida útil do mesmo, levando também a situações de perigo.

Especificações

Modelo:	OM-2011
Voltagem Medida:	230 V~ 50 Hz
Potência de Entrada Medida (Micro-ondas):	1050 W
Potência de Saída Medida (Micro-ondas):	700 W
Capacidade do Forno:	20 L
Diâmetro do Prato Giratório	Ø 255 mm
Dimensões Externas:	440X340x259 mm
Peso líquido:	Aprox. 10.2 kg

AVISO - INSTRUÇÕES DE SEGURANÇA IMPORTANTES

Para reduzir o risco de incêndio, choque elétrico, danos físicos e exposição a demasiada energia de forno micro-ondas ao usar o seu aparelho, siga por favor as seguintes precauções:

1. Leia e cumpra com o seguinte: "PRECAUÇÕES PARA EVITAR UMA POSSÍVEL EXPOSIÇÃO À ENERGIA MICRO-ONDAS".
2. Este aparelho pode ser usado por crianças com 8 anos de idade ou mais e por pessoas com reduzidas capacidades físicas, sensoriais ou mentais ou com falta de experiência e conhecimento se lhes tiver sido dada formação ou se forem devidamente supervisionados relativamente ao uso do aparelho de forma segura e compreenderem os riscos envolvidos. Não deve ser permitido que as crianças brinquem com o aparelho. A limpeza e manutenção não deve ser feita por crianças, a não ser que tenham mais de 8 anos e sejam supervisionadas. Crianças com menos de 8 anos devem manter-se afastadas, a não ser quando supervisionadas de forma continuada.
3. Mantenha o aparelho e o seu cabo fora do alcance das crianças com menos de 8 anos.
4. Se o cabo de alimentação ficar danificado, terá de ser substituído pelo fabricante, por um agente de reparação ou por uma pessoa com qualificação semelhante, de forma a evitar um acidente. (Para um aparelho com um acessório do tipo Y)
5. ADVERTÊNCIA: Certifique-se que o aparelho é desligado antes de substituir a lâmpada, de forma a evitar um possível choque elétrico.
6. ADVERTÊNCIA: É perigoso para qualquer pessoa sem

a competência adequada levar a cabo qualquer manutenção ou reparação que envolva a remoção da tampa que protege contra a exposição à energia micro-ondas.

7. **ADVERTÊNCIA:** Líquidos e outras comidas não podem ser aquecidos dentro de recipientes selados, pois estão sujeitos a explodir.
8. Ao aquecer comida em recipientes de plástico ou papel, tenha atenção ao forno para o caso de pegar fogo.
9. Use apenas utensílios que sejam adequados a fornos micro-ondas.
10. Em caso de fumo, desligue ou tire o cabo de alimentação do aparelho e mantenha a porta fechada, de forma a abafar qualquer chama.
11. O aquecimento de bebidas com micro-ondas pode resultar em ebulição eruptiva atrasada, pelo que deve ter cuidado ao manusear o recipiente.
12. O conteúdo de biberões e frascos de comida para bebés devem ser mexidos, agitados e a sua temperatura controlada antes do consumo, de forma a evitar queimaduras.
13. Ovos com casca ou pré-cozidos não devem ser aquecidos num forno micro-ondas pois podem explodir, mesmo após o aquecimento ter terminado.
14. O micro-ondas deve ser limpo regularmente e serem removidos alguns resíduos de alimentos que possam existir no mesmo.
15. Se não mantiver o forno em boas condições de limpeza, isso poderá levar a uma deterioração das superfícies, o que afetará negativamente a vida útil do aparelho e poderá levar a situações de perigo.
16. O aparelho não deve ser instalado atrás de uma porta decorativa, de forma evitar o seu sobreaquecimento. (Isto não é aplicável a aparelhos com portas

decorativas.)

17. Use apenas a sonda de temperatura recomendada para este forno. (para fornos que permitam usar uma sonda para medir a temperatura.)
18. O forno micro-ondas não deve ser colocado num armário, a não ser que tenha sido testado num armário.
19. O forno micro-ondas deve ser operado com a porta decorativa aberta, (para fornos com uma porta decorativa.)
20. Este aparelho foi concebido para ser usado em casa e em situações similares, tais como:
 - áreas de cozinha em lojas, escritórios e outros ambientes de trabalho;
 - por clientes em hotéis, motéis e outros ambientes de alojamento;
 - quintas;
 - ambientes do tipo estalagem.
21. O forno micro-ondas foi concebido para aquecer comida e bebidas. A secagem de comida ou roupa e o aquecimento de almofadas, chinelos, esponjas, tecido húmido e similares pode levar ao risco de danos físicos ou incêndio.
22. Recipientes metálicos para comida e bebidas não são permitidos durante a cozedura no forno micro-ondas.
23. O aparelho não pode ser limpo com limpeza a vapor.
24. O aparelho foi concebido para ser usado de forma independente.
25. A parte traseira dos aparelhos deve ficar virada para uma parede.

LER CUIDADOSAMENTE E GUARDAR PARA CONSULTA FUTURA

Para Reduzir o Risco de Danos Pessoais Instalação Fio Terra

PERIGO

Perigo de Choque Elétrico Tocar em alguns dos componentes internos pode causar danos pessoais graves ou morte. Não desmonte este aparelho.

AVISO

Perigo de Choque Elétrico A utilização inadequada da ligação à terra pode resultar num choque elétrico. Não ligue a uma tomada até que o aparelho seja corretamente instalado e ligado à terra.

Este aparelho deve ser ligado à terra. No caso de um curto-circuito, o fio terra reduz o risco de choque elétrico ao fornecer um cabo de fuga para a corrente elétrica. Este aparelho está equipado com um cabo que contém um fio e ficha terra. A ficha deve ser encaixada numa tomada que esteja devidamente instalada e ligada à terra.

Consulte um eletricista ou reparador experiente caso as instruções fio terra não sejam totalmente claras ou se houver dúvidas sobre a adequada ligação à terra do aparelho. Se for necessário usar um cabo de extensão, use apenas um de 3 pinos.

1. É fornecido um cabo de alimentação curto, de forma a reduzir o risco de cabos longos se emaranharem ou provocarem tropeços.
2. Se for usado um cabo longo ou de extensão:
 - 1) A classificação elétrica do cabo ou extensão deve ser pelo menos a mesma que a do aparelho.
 - 2) O cabo de extensão deve ser um cabo com ligação à terra de 3 pinos.

- 3) O cabo longo deve ser disposto de forma a que não caia pelo balcão ou mesa abaixo, onde pode ser puxado por uma criança ou alguém possa tropeçar nele.

LIMPEZA

Certifique-se que desliga o aparelho da fonte de alimentação.

1. Limpe o interior do forno após a sua utilização com um pano levemente húmido.
2. Limpe os acessórios de forma normal com água e detergente.
3. As arestas da porta, juntas e peças vizinhas devem ser limpas com cuidado com um pano húmido quando estiverem sujas.
4. Não use produtos de limpeza agressivos ou raspadores afiados de metal para limpar a porta de vidro do forno, pois podem riscar a superfície, o que pode fazer partir o vidro.
5. Dica de Limpeza---Para limpar com facilidade as paredes interiores que a comida cozinhada consegue tocar: Coloque metade de um limão numa tigela, adicione 300 ml (meia caneca) de água e aqueça a 100% da potência do micro-ondas durante 10 minutos. Limpe o forno usando um pano suave e seco.

UTENSÍLIOS

CUIDADO

Perigo de Danos Pessoais

É perigoso para qualquer pessoa sem a competência adequada levar a cabo qualquer manutenção ou reparação que envolva a remoção da tampa que protege contra a exposição à energia micro-ondas.

Consulte as instruções sobre "Materiais que pode usar num forno micro-ondas ou que deve evitar num forno micro-ondas". Pode haver alguns utensílios não-metálicos que não sejam seguros num micro-ondas. Se tiver dúvidas, pode testar esse utensílio com o seguinte procedimento.

Teste de Utensílio:

1. Encha um recipiente adequado para micro-ondas com 1 copo de água fria (250 ml), junto com o utensílio em questão.
2. Coza com a potência máxima durante 1 minuto.
3. Toque com cuidado no utensílio. Se o utensílio vazio estiver morno, não o use para cozinhar no micro-ondas.
4. Não exceda 1 minuto de tempo de cozedura.

Materiais que pode usar num forno micro-ondas

Utensílios	Observações
Prato de gratinar	Siga as instruções do fabricante. O fundo do prato de gratinar tem de estar pelo menos a 3/16 polegadas (5 mm) acima do prato giratório. O uso incorreto poderá fazer partir o prato giratório.
Serviço de jantar	Apenas aqueles adequados para micro-ondas. Siga as instruções do fabricante. Não use pratos rachados ou lascados.
Frascos de vidro	Retire sempre a tampa. Use apenas para aquecer a comida até ficar como quer. A maioria dos frascos de vidro não são resistentes ao calor e podem partir.
Copos	Apenas copos adequados para fornos e resistentes ao calor. Certifique-se que não têm acabamentos metálicos. Não use pratos rachados ou lascados.
Sacos de cozer no forno	Siga as instruções do fabricante. Não feche com um fio de selagem metálico. Faça aberturas, para que o vapor possa sair.
Pratos e copos de papel	Use apenas para aquecimento suave e de curta duração. Não deixe o forno sem supervisão enquanto cozinha.
Toalhas de papel	Use para cobrir a comida reaquecida e absorver a gordura. Use com supervisão apenas para aquecimento de curta duração.
Papel de pergaminho	Use como cobertura para prevenir salpicos ou como embrulho para o vapor.
Plástico	Apenas aqueles adequados para micro-ondas. Siga as instruções do fabricante. Devem ter a etiqueta "Adequado para Micro-ondas". Alguns recipientes de plástico amolecem à medida que a comida no interior fica mais quente. "Sacos de cozer" e outros sacos de plástico bem selados devem ser cortados,

	furados ou ventilados como explicado na embalagem.
Embrulho de plástico	Apenas aqueles adequados para micro-ondas. Use para cobrir a comida durante a cozedura para reter a humidade. Não deixe que o embrulho de plástico toque na comida.
Termómetros	Apenas adequados para micro-ondas (termómetros de carne e doces).
Papel de cera	Use como cobertura para prevenir salpicos e reter a humidade.
Materiais a serem evitados no forno micro-ondas	
Utensílios	Observações
Bandeja de alumínio	Pode causar arqueamento. Transfira a comida para um prato adequado para micro-ondas.
Caixa de comida de cartão com pega metálica	Pode causar arqueamento. Transfira a comida para um prato adequado para micro-ondas.
Metal ou utensílios com acabamentos metálicos	O metal protege a comida da energia micro-ondas. Os acabamentos metálicos podem causar arqueamento.
Fios de selagem metálicos	Podem causar arqueamento e incêndio no forno.
Sacos de papel	Podem causar incêndio no forno.
Espuma de plástico	A espuma de plástico pode derreter ou contaminar o líquido interior quando exposta a altas temperaturas.
Madeira	A madeira irá secar se for usada no forno micro-ondas e poderá partir ou rachar.

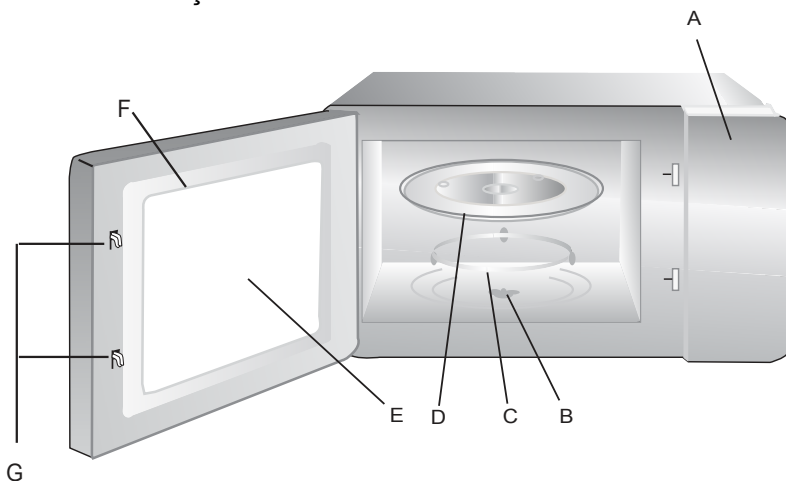
PREPARAR O SEU FORNO

Nomes de Partes e Acessórios do Forno

Retire o forno e todos os materiais da caixa de cartão e do interior do forno.

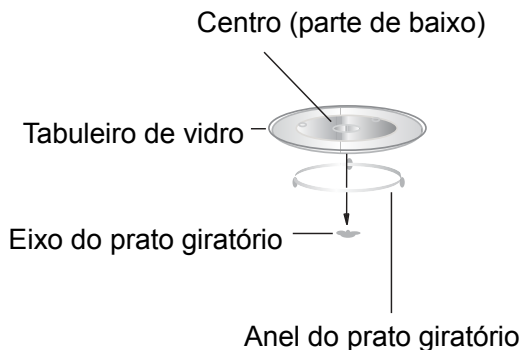
O seu forno vem com os seguintes acessórios:

Tabuleiro de vidro	1
Anel do prato giratório	1
Manual de instruções	1



- A) Painel de controlo
- B) Eixo do prato giratório
- C) Anel do prato giratório
- D) Tabuleiro de vidro
- E) Janela de observação
- F) Porta
- G) Sistema de bloqueio de segurança

Instalação do prato giratório



- Nunca coloque o tabuleiro de vidro ao contrário. O tabuleiro de vidro nunca deve estar restringido.
- Tanto o tabuleiro de vidro como o anel do prato giratório devem ser usados durante a cozedura.
- Toda a comida e todos os recipientes de comida devem ser sempre colocados no tabuleiro de vidro para a cozedura.
- Se o tabuleiro de vidro ou o anel do prato giratório racharem ou partirem, contacte o apoio ao cliente autorizado mais próximo.

Instalação numa banca de cozinha

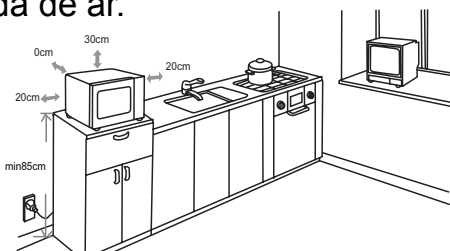
Remova todo o material de embalagem e acessórios. Procure no forno quaisquer danos, tais como mossas ou porta partida. Não instale se o forno estiver danificado.

Armário: Remova qualquer película protetora que se encontre na superfície do armário para o forno micro-ondas.

Não remova a capa Mica castanho claro que está agarrada ao interior do forno para proteger o magnetron.

Instalação

1. Escolha uma superfície nivelada que proporcione espaço livre suficiente para as ventoinhas de saída e / ou entrada de ar.



- (1) A altura mínima de instalação é de 85 cm.
 - (2) A parte traseira do aparelho deve ficar virada para uma parede.
Deixe uma margem mínima de 30 cm acima do forno; uma margem mínima de 20 cm é necessária entre o forno e quaisquer paredes adjacentes.
 - (3) Não remova as pernas de baixo do forno.
 - (4) Bloquear as aberturas de saída e / ou entrada de ar pode danificar o forno.
 - (5) Coloque o forno o mais longe possível de rádios e televisões. O funcionamento do micro-ondas pode causar interferências na recepção do seu rádio ou televisão.
2. Ligue o seu forno a uma tomada doméstica padrão. Garante que a voltagem e a frequência sejam as mesmas da etiqueta de classificação.

ADVERTÊNCIA: Não instale um forno em cima da tampa de um fogão ou outro aparelho que produza calor. Se for instalado perto ou em cima de uma fonte de calor, o forno pode ser danificado e a garantia seria anulada.

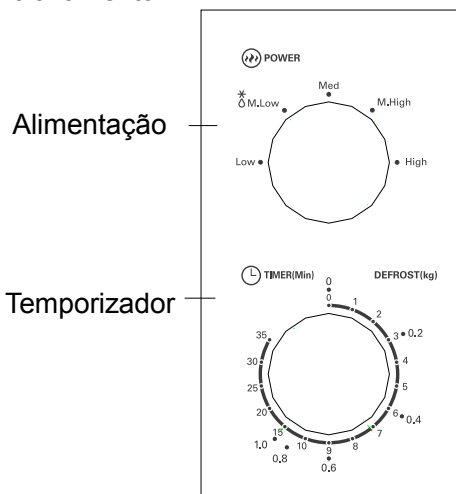
A superfície de acesso pode estar quente durante o funcionamento.



FUNIONAMENTO

Painel de Controlo e Funcionalidades

Instruções de funcionamento



1. Para definir a potência de cozedura girando o botão de potência para o nível pretendido.
2. Para definir o tempo da cozedura girando o botão temporizador para a duração pretendida, de acordo com o guia de culinária.
3. O forno micro-ondas irá começar a cozinhar automaticamente após a potência e o tempo terem sido definidos.
4. Após o tempo de cozedura terminar, o aparelho irá emitir um alerta sonoro ao parar.
5. Se o aparelho não estiver a ser utilizado, coloque sempre o tempo em "0".

Função/Potência	Saída	Aplicação
Baixo	17% micro.	Amolecer gelado
Méd. Baixo (Descongelar)	33% micro.	Guisado de sopa, amolecer manteiga ou descongelar
Méd.	55% micro.	Guisado, peixe
Méd. Alto	77% micro.	Arroz, peixe, frango, carne moída
Alto	100% micro.	Reaquecer, leite, água fervida, legumes, bebidas

Aviso: Ao remover comida do forno, certifique-se que a energia do forno está desligada, girando o botão temporizador para 0 (zero). Se não o fizer, e se operar o forno micro-ondas sem comida, poderá causar sobreaquecimento e danificar o magnetrão.

Resolução de problemas

Normal	
Interferência do forno micro-ondas com a recepção da televisão	A recepção de rádio e de televisão pode sofrer interferências quando o forno micro-ondas estiver a ser utilizado. É parecido com a interferência de outros pequenos aparelhos, tais como bateadeira, aspirador e ventoinha elétrica. Isto é normal.
Luz do forno fraca	Numa cozedura de baixa potência do micro-ondas, a luz do forno pode tornar-se fraca. Isto é normal.
Vapor acumulado na porta, ar quente a sair pelas aberturas	Ao cozer, vapor pode sair da comida. A maioria irá sair pelas aberturas. Mas algum pode acumular-se num lugar fresco, como a porta do forno. Isto é normal.
O forno começou a funcionar acidentalmente sem comida dentro.	É proibido operar o aparelho sem qualquer comida dentro. É muito perigoso.

Problema	Causa Possível	Solução
O forno não funciona.	(1) A cabo de alimentação pode não estar bem ligado.	Desligue. Depois ligue novamente após 10 segundos.
	(2) Um fusível rebentou e o disjuntor funciona.	Substitua o fusível e reponha o disjuntor (reparado por um profissional da nossa empresa)
	(3) Problemas com a tomada.	Teste a tomada com outros aparelhos elétricos.
O forno não aquece.	(4) A porta não está bem fechada.	Feche bem a porta.

TODOS OS DIREITOS RESERVADOS, COPYRIGHT DENVER
ELECTRONICS A/S

DENVER[®]
denver-electronics.com

CE



O equipamento elétrico e eletrônico contém materiais, componentes e substâncias que podem ser perigosas para a sua saúde e para o ambiente, se o material usado (equipamentos elétricos e eletrônicos eliminados) não for processado corretamente.

O equipamento elétrico e eletrônico está marcado com um caixote do lixo com um X, como mostrado acima. Este símbolo significa que o equipamento elétrico e eletrônico não deve ser eliminado em conjunto com outros resíduos domésticos, mas deve ser eliminado separadamente.

Todas as cidades têm pontos de recolha instalados, nos quais o equipamento elétrico e eletrônico pode tanto ser submetido sem custos a estações de reciclagem e outros locais de recolha, ou ser recolhido na própria residência. O departamento técnico da sua cidade disponibiliza informações adicionais em relação a isto.

Importador:

DENVER ELECTRONICS A/S

Omega 5A, Soeften

DK-8382 Hinnerup

www.facebook.com/denverelectronics



MIKROVÅGSUGN
BRUKSANVISNING
MODELL: OM-2011

Läs noga igenom dessa instruktioner innan du använder mikrovågsugnen och förvara dem på en lättåtkomlig plats.

Om du följer instruktionerna, kommer ugnen att ge dig många års nyttjande.

SPARA DESSA INSTRUKTIONER PÅ ETT SÄKERT STÄLLE

FÖRSIKTIGHETSÅTGÄRDER FÖR ATT UNDANTA MÖJLIG EXPONERING FÖR ÖVERDRIVEN MIKROVÅGSENERGI

- (a) Försök inte använda ugnen med luckan öppen, eftersom det kan resultera i skadlig exponering för mikrovågsenergi. Det är viktigt att inte söndra eller manipulera säkerhetslåsningarna.
- (b) Placera inga föremål mellan ugnens framsida och luckan eller tillåta att jord eller rester av rengöringsmedel ackumuleras på tätningsytor.
- (c) **VARNING:** Om luckan eller lucktätningen är skadad, får ugnen inte användas förrän den har reparerats av en behörig person.

TILLÄGG

Om ugnen inte upprätthålls i ett gott renligt skick, kan dess yta försämrats och påverka apparatens livslängd och leda till en riskfylld situation.

Specifikationer

Modell:	OM-2011
Nominell spänning:	230V~ 50Hz
Nominell ingångseffekt (Mikrovåg):	1050 W
Nominell utgångseffekt (Mikrovåg):	700 W
Ugnens kapacitet:	20 L
Tallrikens mått	Ø 255 mm
Externa mått:	440x340x259mm
Nettovikt:	Cirka 10,2 kg

VIKTIGA SÄKERHETSINSTRUKTIONER

För att minska risken för brand, elektriska stötar, personskador eller exponering för överdriven mikrovägsenergi från ugnen när du använder din apparat, ska du följa de grundläggande försiktighetsåtgärderna, inklusive följande:

1. Läs och följ det specifika:
"FÖRSIKTIGHETSÅTGÄRDER FÖR ATT UNDVIKA MÖJLIG EXPONERING FÖR ÖVERDRIVEN MIKROVÅGSENERGI".
2. Apparaten kan användas av barn som är 8 år och äldre, och av personer med nedsatt fysisk, sensorisk eller mental förmåga eller brist på erfarenhet och kunskap om de har fått uppsikt eller anvisningar om användningen av apparaten på ett säkert sätt och förstår farorna inblandade. Barn ska inte leka med apparaten. Rengöring och underhåll ska inte utföras av barn såvida de inte är äldre än 8 år och övervakas. Barn under 8 år ska hållas borta, om de inte kontinuerligt övervakas.
3. Håll apparaten och dess sladd utom räckhåll för barn under 8 år.
4. Om nätkabeln är skadad måste den bytas ut av tillverkaren, dess servicerepresentant eller av person med liknande behörighet för att förhindra fara. (För apparat med typ Y-anslutning)
5. **WARNING:** Se till att ugnen är avstängd innan lampan byts ut för att undvika risk för elektrisk stöt.
6. **WARNING:** Det är riskabelt för någon annan än en behörig person att utföra någon service eller reparation som innebär att ett hölje som skyddar mot exponering för mikrovägsenergi är borttagen.

7. VARNING: Vätskor och andra livsmedel får inte värmas upp i slutna behållare eftersom det finns en risk för att de kan explodera.
8. Vid uppvärmning av mat i plast- eller pappersbehållare, ska du hålla koll på ugnen för möjlig antändning.
9. Endast redskap som är lämpliga för mikrovågsugnar ska användas.
10. Om rök upptäcks, stäng av eller koppla bort apparaten och håll luckan stängd för att kväva eventuella flammor.
11. Uppvärmning av drycker i mikrovågsugnen kan resultera i fördröjd kokning. Därför måste försiktighet vidtas när man hanterar behållaren.
12. Innehållet i nappflaskor och barnmat i burk ska omröras eller skakas och temperaturen kontrolleras innan konsumtion för att undvika brännskador.
13. Ägg med skal och hela hårdkokta ägg bör inte värmas i mikrovågsugnar, eftersom de kan explodera, även efter att uppvärmningen i mikrovågsugnen har avslutats.
14. Ugnen ska rengöras regelbundet och eventuella matrester ska avlägsnas.
15. Underlåtenhet att hålla ugnen i ett rent skick kan leda till försämring av ytan. Detta kan påverka apparatens livslängd och eventuellt leda till en farlig situation.
16. Apparaten får inte installeras bakom en dörr med dekorationer för att undvika överhettning. (Detta gäller inte för apparater med dekorationsdörr.)
17. Använd endast den temperaturgivare som rekommenderas för denna ugn. (för ugnar försedda med en anläggning för att använda en temperaturgivare.)
18. Mikrovågsugnen får inte placeras i ett skåp om det inte har testats i ett skåp.

19. Mikrovågsugnen måste köras med dekorationsdörren öppen, (för ugnar med dekorationsdörr.)
20. Denna apparat är avsedd att användas i hushålls och liknande applikationer som:
 - områden för kökspersonal i butiker, kontor och andra arbetsmiljöer;
 - av kunder i hotell, motell och andra bostadsmiljöer;
 - lantgårdar;
 - typ av miljöer med rum och frukost.
21. Mikrovågsugnen är avsedd för uppvärmning av mat och dryck. Torkning av mat eller kläder och uppvärmning av värmekuddar, tofflor, svampar, fuktig trasa och liknande kan leda till risk för personskada, antändning eller brand.
22. Metalliska behållare för mat och dryck ska inte användas i mikrovågsugn.
23. Apparaten får inte rengöras med ångrengöring.
24. Apparaten är avsedd att användas fristående.
25. Apparatens bakre yta ska placeras mot en vägg.

LÄS NOGGRANT OCH SPARA DEM FÖR FRAMTIDA REFERENS

Jordad installation för att minska risken för personskador

FARA:

Risk för elektrisk chock om du skulle komma i kontakt med de interna komponenterna det orsaka allvarlig personskada eller dödsfall. Plocka inte isär denna apparat.

VARNING

Risk för elektrisk chock vid felaktig användning av jordning. Koppla inte till ett uttag till dess att apparaten är korrekt installerad och jordad.

Denna apparat måste jordas. Vid en elektrisk kortslutning, minskar jordning risken för elektrisk stöt genom att tillhandahålla en avledning för elströmmen. Denna apparat är utrustad med en sladd som har en jordkabel med jordad stickkontakt. Stickkontakten måste vara ansluten till ett uttag som är korrekt installerat och jordat.

Kontakta en behörig elektriker eller serviceman om instruktioner för jordning inte är helt förstådda eller om det finns tvivel om huruvida apparaten är ordentligt jordad. Om det är nödvändigt att använda en förlängningssladd, använd endast en 3-trådig förlängningssladd.

1. En kort sladd för strömförsörjning medföljer för att minska riskerna som kan orsakas av att man trasslar in sig eller snubblar över en längre sladd.
2. Om en lång sladd eller förlängningssladd används:
 - 1) Det märkta elektriska värdet på sladden eller förlängningssladden ska vara minst lika stor som elvärdet på apparaten.

- 2) Förlängningssladden måste vara en jordad 3-trådig sladd.
- 3) Den långa sladden ska ordnas så att den inte hänger över diskbänken eller bordet där det kan dras ner av barn eller snubblas över oavsiktligt.

RENGÖRING

Var noga med att koppla ur apparaten från strömförsörjningen.

1. Rengör ugnens hålrum efter användning med en lätt fuktig trasa.
2. Rengör tillbehören på vanligt sätt i vatten och tvål.
3. Luckans ram och tätningen och angränsande delar ska rengöras noggrant med en fuktig trasa när de är smutsiga.
4. Använd inte hårda slipmedel eller vassa metallskrapor för att rengöra glasluckan till ugnen eftersom det kan repa ytan, vilket kan leda till splittring av glaset.
5. Rengöringstips---För enklare rengöring av hålrummets väggar där matrester kan fastna: Placera en halv citron i en skål, tillsätt 300 ml (1/2 liter) vatten och värm upp på 100% mikrovågseffekt i 10 minuter. Torka ugnen rent med en mjuk, torr trasa.

KÖKSREDSKAP

FÖRSIKTIGHET

Risk för personskada

Det är riskabelt för någon annan än en behörig person att utföra någon service eller reparation som innebär att ett hölje som skyddar mot exponering för mikrovågsenergi är borttagen.

Se instruktionerna för "Material som du kan använda i mikrovågsugnen eller som ska undvikas att användas i mikrovågsugnen". Det kan finnas vissa icke-metalliska köksredskap som inte är säkra att använda för mikrovågor. Vid minsta tvekan, kan du testa husgerådet ifråga genom att följa proceduren nedan.

Test av husgeråd:

1. Fyll en behållare som är säker för mikrovågsugnen med 1 kopp kallt vatten (250 ml) tillsammans med det aktuella köksredskapet.
2. Koka på maximal effekt i 1 minut.
3. Känn försiktigt på köksredskapet. Om det tomma köksredskapet är varmt, använd det inte för att värma upp mat i mikrovågsugnen.
4. Överskrid inte tiden på 1 minut för tillagning.

Material som du kan använda i mikrovågsugnen

Köksredskap	Anmärkningar
Crunchpanna	Följ tillverkarens instruktioner. Botten på crunchpannan måste vara minst 3/16 tum (5 mm) ovanför tallriken. Felaktig användning kan leda till att tallriken går sönder.
Servis	Endast säker för mikrovågsugnen. Följ tillverkarens instruktioner. Använd inte spruckna eller flisade fat.
Glasburkar	Ta alltid bort locket. Använd endast för att värma mat tills det är precis varmt. De flesta glasburkar är inte värmebeständiga och kan gå sönder.
Glasvaror	Endast värmebeständig glasvaror. Se till att det inte finns någon metallremsa. Använd inte spruckna eller flisade fat.
Kokpåsar för ugnen	Följ tillverkarens instruktioner. Stäng inte med påsstängare i metall. Gör slitsar för att tillåta ånga att ta sig ut.
Papperstallrikar och koppar	Används endast för kortvarig tillagning/uppvärmning. Lämna inte ugnen obevakad under tillagning.
Hushållspapper	Använd för att täcka över mat för uppvärmning och absorbera fett. Använd endast med tillsyn för kortsiktig matlagning.
Pergamentpapper	Använd som skydd för att förhindra stänk eller en omslag för ångkokning.
PLAST	Endast säker för mikrovågsugnen. Följ tillverkarens instruktioner. Ska märkas som "Säker för mikrovågor". Vissa plastbehållare mjuknar, eftersom maten i den blir het. "Kokpåsar" och tätt slutna plastpåsar ska slitas, genomborras eller ventileras enligt förpackning.
Plastfolie	Endast säker för mikrovågsugnen. Användas för att

	täcka över mat under tillagning för att behålla fukt. Låt inte plastfolie komma i kontakt med maten.
Termometrar	Endast mikrovågssäker (termometrar för kött och godis).
Vaxat papper	Använd som skydd för att förhindra stänk och behåll fukt.
Material som ska undvikas i mikrovågsugnen	
Köksredskap	Anmärkningar
Aluminiumbricka	Kan orsaka ljusbågsbildning. Överför mat till mikrovågssäkert fat.
Matkartong med metallhandtag	Kan orsaka ljusbågsbildning. Överför mat till mikrovågssäkert fat.
Redskap i metall eller metallremsa	Metall blockerar maten från mikrovågsenergi. Metallremsa kan orsaka ljusbågsbildning.
Påsförslutare i metall	Kan orsaka ljusbågsbildning och kan orsaka brand i ugnen.
Papperspåsar	Kan orsaka brand i ugnen.
Plastskum	Plastskum kan smälta eller förorena vätskan inuti när det utsätts för hög värme.
Trä	Träet torkar ut när det används i mikrovågsugnen och kan splittras eller spricka.

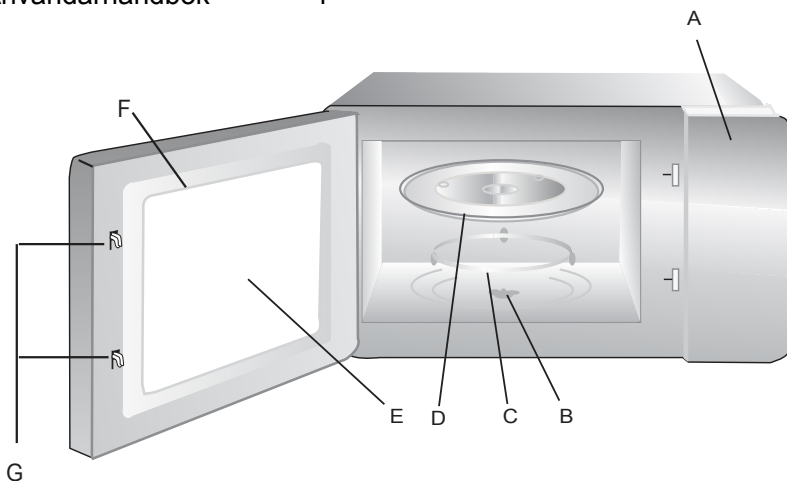
INSTALLATION AV DIN UGN

Namn på ugsdelar och tillbehör

Plocka upp ugnen och allt material från kartongen och ugnens hålrum.

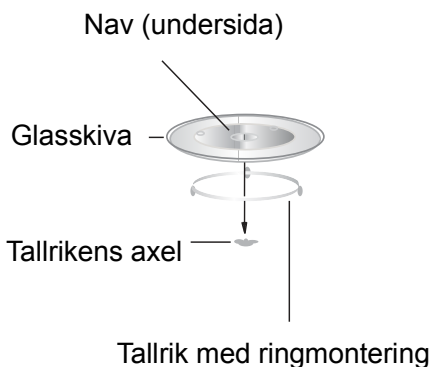
Din ugn kommer med följande tillbehör:

Glasskiva	1
Tallrik	med 1
ringmontering	
Användarhandbok	1



- A) Kontrollpanel
- B) Tallrikens axel
- C) Tallrik med ringmontering
- D) Glasskiva
- E) Inspektionsfönster
- F) Montering av lucka
- G) System med säkerhetslås

Montering av tallriken



- Placera aldrig glasskivan upp och ner. Glasskivan bör aldrig begränsas.
- Både glasskivan och tallrikens ringmontering ska alltid användas under tillagning.
- All mat och behållare av mat ska alltid placeras på glasskivan för tillagning.
- Om glasskivan eller tallrikens ringmontering spricker eller går sönder, ska du kontakta din närmaste auktoriserade servicecentral.

Montering på köksbänken

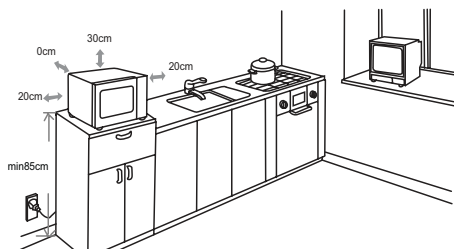
Ta bort allt förpackningsmaterial och tillbehör. Undersök ugnen för eventuella skador som bucklor eller bruten lucka. Installera inte om ugnen är skadad.

Skåp: Ta bort eventuell skyddsfilm som finns på mikrovågsugnens yta.

Ta inte bort den ljusbruna glimmerbrickan som är fastsatt i ugnens hålrum för att skydda magnetronen.

Installation

1. Välj en plan yta som ger tillräckligt med öppet utrymme för ingångs- och/eller utloppsventilerna.



- (1) Minsta installationshöjd är 85 cm.
 - (2) Bakre ytan på apparaten ska placeras mot en vägg. Lämna ett spelrum på minst 30 cm ovanför ugnen. Ett spelrum på minst 20 cm krävs mellan ugnen och eventuellt intilliggande vägg.
 - (3) Ta inte bort benen från ugnens botten.
 - (4) Blockering av öppningarna för ingång och/eller utgång kan skada ugnen.
 - (5) Placera ugnen så långt bort från radio och TV som möjligt. Användning av mikrovågsugn kan orsaka störningar på din radio- eller TV-mottagning.
2. Anslut ugnen till ett vanligt hushållsuttag. Se till att spänningen och frekvensen är densamma som spänningen och frekvensen på märkplåten.

WARNING: Installera inte ugn över en spishäll eller annan värmeproducerande apparat. Om den installeras nära eller över en värmekälla, kan ugnen skadas och garantin skulle då bli ogiltig.

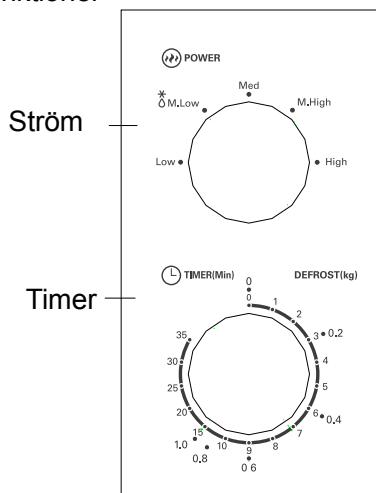
Den tillgängliga ytan kan vara varm under drift.



DRIFT

Kontrollpanel och funktioner

Driftinstruktioner



1. När du ska ställa in effekten för matlagning, vrider du strömknappen till önskad nivå.
2. För att ställa in tiden för tillagning, vrider du ratten för timer till önskad tid enligt din matlagningssguide.
3. Mikrovågsugnen startar automatiskt matlagningen efter att effektnivån och tiden har ställts in.
4. När tiden för tillagning är klar kommer enheten att stanna med ett "Pling".
5. Om apparaten inte används, ställ alltid tiden till "0".

Funktion/Ström	Uteffekt	Applicering:
Låg	17% mikro.	Göra glassen mjuk
Medium Låg (Avfrostning)	33% mikro.	Soppgröta, smälta smör eller avfrostning
Medium	55% mikro.	Gryta, fisk
Medium Hög	77% mikro.	Ris, fisk, kyckling, färs
Hög	100% mikro.	Uppvärmning, mjölk, koka vatten, grönsaker, dryck

Observera: När du tar bort mat från ugnen, kontrollera att effekten på ugnen är avstängd genom att vrida ratten för timer till 0 (noll). Om du inte gör det och använder mikrovågsugnen utan mat i den, kan det leda till överhettning och skada magnetronen.

Felsökning:

Normal	
Mikrovågsugn som stör TV-mottagning	Radio och TV-mottagning kan störas när mikrovågsugn körs. Det motsvarar störning från små elektriska apparater, som blandare, dammsugare och elfläkt. Det är normalt.
Dimbar ugnslampa	Vid tillagning med låg effekt i mikrovågsugnen, kan ugnsljuset dämpas. Det är normalt.
Ånga ackumuleras på luckan, varmluft flödar ut ur ventilationen	Vid matlagning kan ånga komma från mat. De mesta kommer ut från ventilationen. Men viss ånga kan ackumuleras på en sval plats som t.ex. ugnsluckan. Det är normalt.
Ugnen startades av misstag utan mat i den.	Det är inte tillåtet att köra apparaten utan mat. Det är mycket farligt.

Problem	Möjlig orsak	Åtgärd
Ugnen startar inte.	(1) Stickkontakten är inte ordentligt ansluten.	Dra ur. Anslut sedan igen efter 10 sekunder.
	(2) Säkring har gått eller reläet fungerar inte.	Byt säkring eller återställ reläet (repareras av professionell personal i vårt företag)
	(3) Problem med utgången.	Test av utgång med andra elektriska apparater.
Ugnen värmer inte.	(4) Luckan stängdes inte ordentligt.	Stäng luckan ordentligt.

MED ENSAMRÄTT, UPPHOVSRÄTT DENVER ELECTRONICS A/S

DENVER
denver-electronics.com

CE



Elektriska och elektroniska apparater innehåller material, komponenter och ämnen som kan vara farliga för din hälsa och miljön, om avfallsmaterialet (förbrukad elektrisk och elektronisk utrustning) inte hanteras korrekt.

Elektrisk och elektronisk utrustning markeras med en överkorsad soptunna, så som visas ovan. Denna symbol indikerar att elektrisk och elektronisk utrustning inte ska bortskaffas med hushållsavfallet, utan ska bortskaffas separat.

Alla kommuner har etablerat uppsamlingsställen där elektrisk och elektronisk utrustning och batterier antingen kan lämnas in kostnadsfritt på återvinningsstationer eller hämtas från hushållen. Vidare information finns att tillgå hos din kommuns tekniska förvaltning.

Importör:

DENVER ELECTRONICS A/S

Omega 5A, Soeften

DK-8382 Hinnerup

www.facebook.com/denverelectronics

