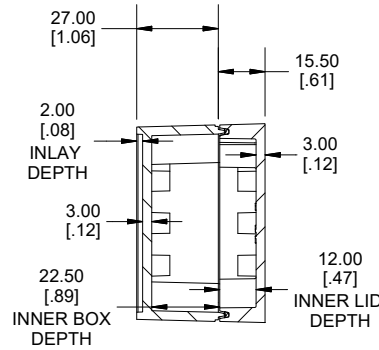
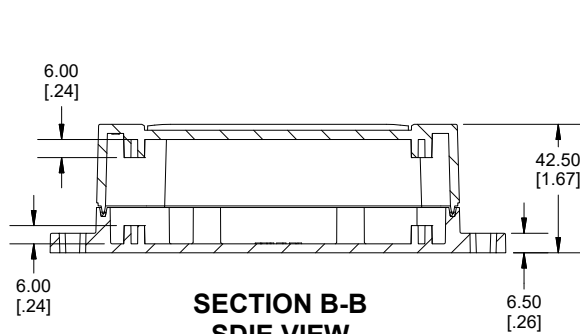
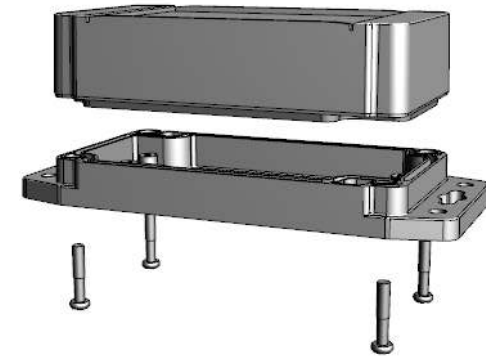


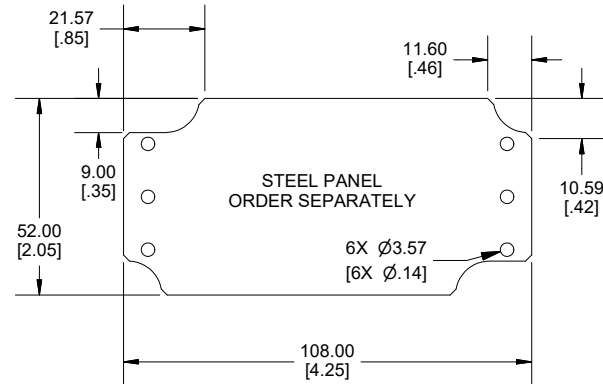
ENCLOSURE ASSEMBLY TOP VIEW



**SECTION A-A
END VIEW**



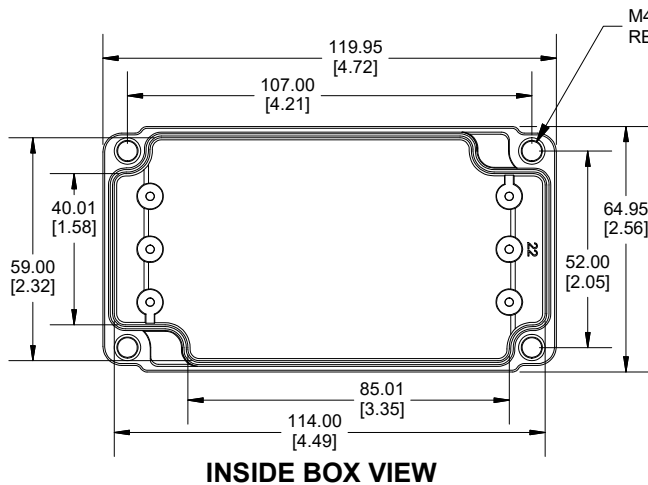
**SECTION B-B
SDIE VIEW**



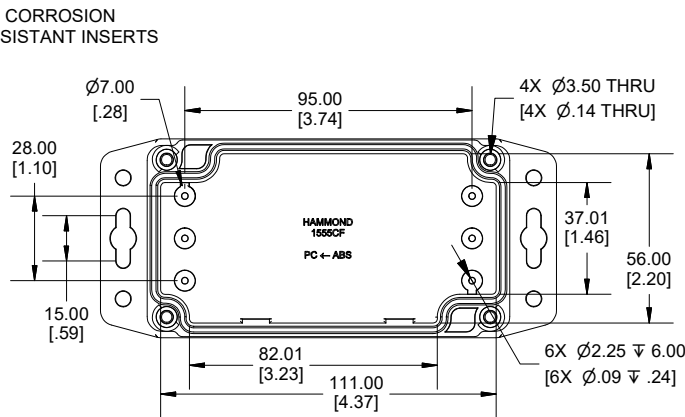
POLYCARBONATE
VERSION ONLY
 **US LISTED**
 FILE #E65324
 TYPE 4,4X,6,6P

Enclosures can be Factory Modified (Milling, Drilling, Printing etc.)
 Contact Factory (modshop@hammfg.com) for quotes
 Solid models of this enclosure available in .stp or .x_t
 (Part number and text placement/orientation on our products are subject to change,
 we do not recommend using them as a locating reference for modification purposes)

| NOTE | |
|---|--|
| Purchased assembly includes styled box, flanged lid, 4 cover screws, and preformed silicone gasket. | |
| General Purpose ABS version is not UL approved. (Matl UL94 - HB) | |
| Polycarbonate version is UL 508 approved. (Matl UL94 - 5VA @ 3mm) | |
| Recommended Cover screw torque -- 2.5 lbf-in (30 cN-m) | |



INSIDE BOX VIEW



INSIDE LID VIEW

Dimensions:
mm
[inches]

| 1555CF | |
|--|-------------|
| 1555CF Regular Enclosure | |
| General Purpose ABS RAL-7035 | 1555CF22GY |
| Polycarbonate RAL-7035 | 1555C2F22GY |
| ACCESSORIES | |
| Steel Inner Panels | 1555CFPL |
| Silicone Pre-formed Gasket Black | 1554CGASKET |
| Steel Panel / P. C. Board Self Tapping Screw [#4 X 1/4" (6.4mm) Plated] | 1555TS100 |
| Stainless Steel Cover Screws [M4-0.7 X 20mm] (Pkg 50) | SC576-50 |



**HAMMOND
MANUFACTURING**
1555CF22
 www.hammondmfg.com