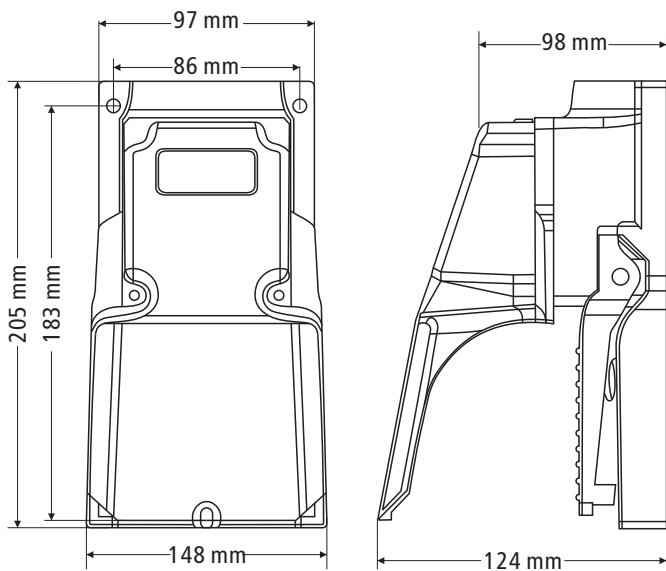
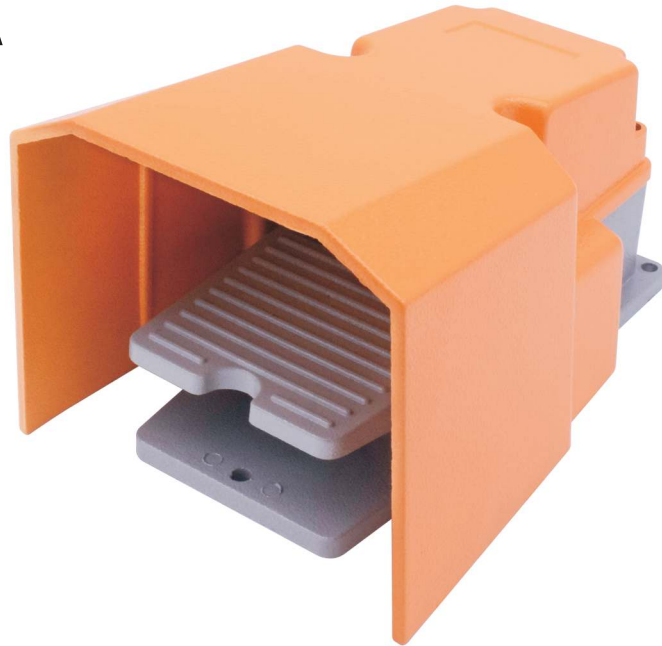


Best. Nr. 421 216

Single Pedal Foot Switch 250V/AC, 15A



Specification

Housing material: Metal

Color: Yellow + Grey

Contact type: SPDT

Switch type: Momentary (ON)/(OFF)

Dimension: Approx. 100 x 61 x 34mm

Weight: Approx. 980g

Voltage rating: 250 V/ AC max.

Current rating: 15 A max.

Insulation resistance: >100Mohm

Contact resistance: <25mohm

Operating temperature: -20 ~ 105°C

Operating humidity: >85%RH

Operating life: >10,000 cycles