

Gleichstrommotor DAYPOWER 75030

Art.Nr 310569

Motor tested rapidly to prevent significant temperature rise.

At a constant voltage of **12.00** Volts
with a circuit resistance **0.000** Ohm

(At the ambient temperature of 25~30 deg C)

At No Load

Speed : 16847 Rpm
Current : 1.900 Amp

At Stall (Extrapolated)

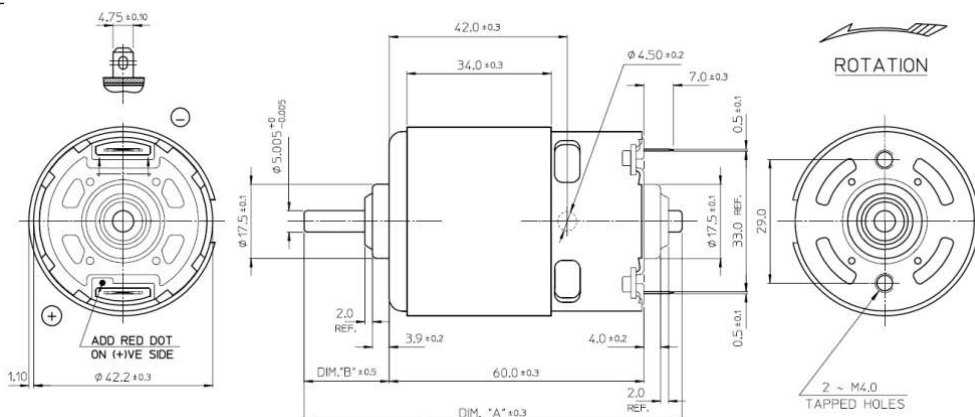
Torque : 762.29 m-Nm
Current : 126.99 Amp

At Maximum Efficiency

Efficiency : 70.02 %
Torque : 83.85 m-Nm
Speed : 14994 Rpm
Current : 15.66 Amp
Output : 131.60 Watts

At Maximum Power

Torque : 381.15 m-Nm
Speed : 8424 Rpm
Current : 64.45 Amp
Output : 335.99 Watts



NOTES--

1. LENGTH OF SHAFT, DIM. 'A' 89.0 mm.
2. FRONT EXTENSION, DIM. 'B' 20.0 mm. MEASURED WITH SHAFT PUSHED AGAINST STEEL END CAP.
3. DIRECTION OF ROTATION : ANTI-CLOCKWISE WHEN VIEWING MOTOR OUTPUT END WITH POSITIVE VOLTAGE APPLIED TO POSITIVE TERMINAL.
4. END PLAY : 0.20 mm. MAX..

ALL DIMENSIONS ARE IN MILLIMETRES DO NOT SCALE DRAWING

Characteristics

Torque Constant : 6.0940 m-Nm/Amp
Dy. Resistance : 0.0940 Ohms
Motor Regulation : 22.1000 Rpm/m-Nm

