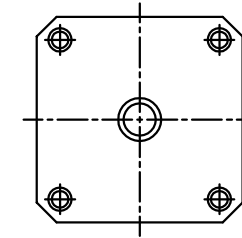
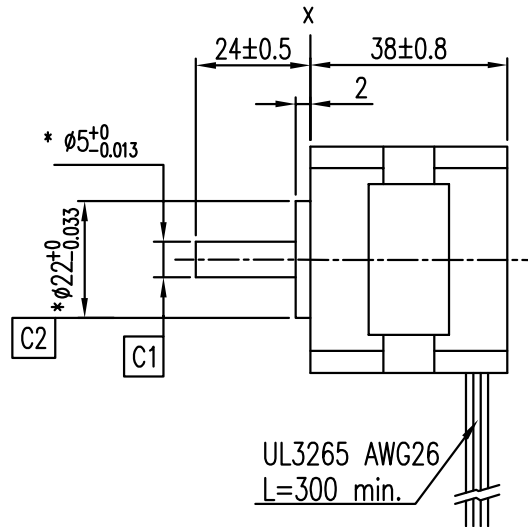
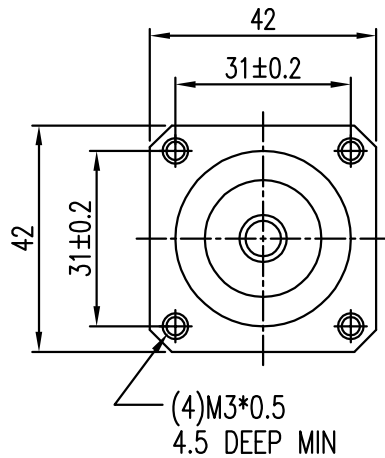


DIMENSION (UNIT : mm)



SPECIFICATION

RATED VOLTAGE (VM)DC	1.7
AMPS/PHASE	1.4
RESISTANCE /PHASE Rm (Ohms) @25°C	1.2±10% *
INDUCTANCE/PHASE.mH @1KHz	1.7±20% *
STEP ANGLE (DEG)	1.8
STEP ACCURACY (NON-ACCUM)	±5%
HOLDING TORQUE (g-cm) @0.25A/φ;2φ-Ex	2200 *
ROTOR INERTIA (g-cm ²)	48
WEIGHT (g)	270
INSULATION CLASS	B
TEMPERATURE RISE	MAX.80°C
INSULATION RESISTANCE	100M ohm @500VDC
DIELECTRIC STRENGTH	500VAC FOR ONE MINUTE
AMBIENT TEMPERATURE	-10°C ~ +50°C

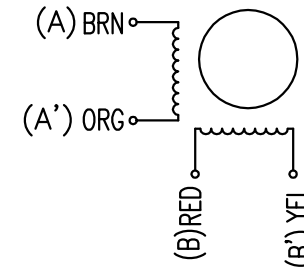
NOTE:

1. C1 DIAMETER RUNOUT TO BE 0.025mm MAX.
2. C2 CONCENTRIC TO C1 W/IN 0.075mm TIR.
3. X SURFACE PERPENDICULAR TO C1 W/IN 0.12mm
4. END CAPS TO BE BLACK PAINTED.
5. * MEANS IMPORTANT ITEM.

FULL STEP 2 PHASE-Ex.,
WHEN FACING MOUNTING END (X)

STEP	A	B	A'	B'	CCW
1	+	+	-	-	↑
2	-	+	+	-	
3	-	-	+	+	↓
4	+	-	-	+	

* WIRING DIAGRAM



ST4018M1404-A

SCALE FREE

X	±0.5
1PL	±0.2
2PL	±0.1
ANGLE	±30'

APVD

CHKD

DRN

SIGNATURE

01.08.05

DATE

STEPPING MOTOR

DWG.NO

ST4018M1404-A_Z01

REV DESCRIPTION

DATE

APVD

A

B

C

D

E

F