



# A4

**TYPICAL APPLICATIONS** Vacuum cleaners, H VAC

- FUNCTIONS**
- SPST, momentary or not
  - DPST, illuminated or not
  - DPCO
  - DPDT, momentary or not

**CYCLE No.** 50.000

**CUT OUT** 19x22 mm

**AMBIENT TEMPERATURE** 125 °C

**GWT** 850 °C

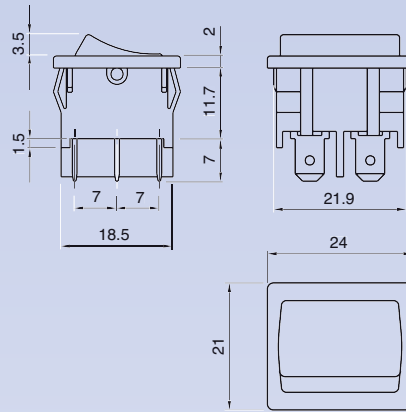
**GWT NO FLAME (<2sec)** 750 °C on demand



A

4

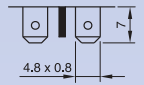
## DRAWING



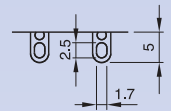
?

## TERMINAL

1

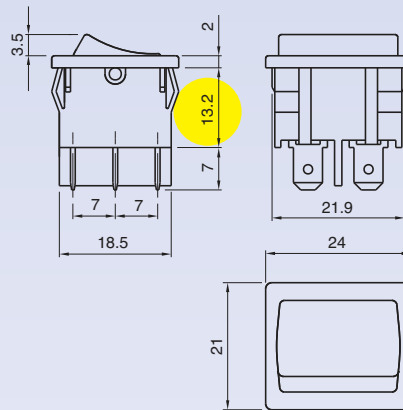


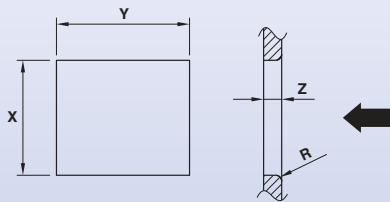
2



WATERPROOF CAP

## Function 9





Z	Y	X
0,7 ... 1,25	22,0 ±0,1	19,0 ±0,2
1,25 ... 2,0	22,0 ±0,1	19,3 ±0,2
2,0 ... 3,0	22,0 ±0,1	19,6 ±0,2

TERMINAL	FUNCTION	RATING	BODY COLOUR	ROCKER COLOUR	MARKING COLOUR	MARKING
A	4					0 0 0

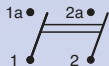
?	?	?	?	?	?	0	0	0
---	---	---	---	---	---	---	---	---

### FUNCTION

1



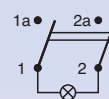
2



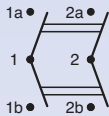
4



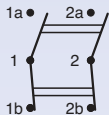
8



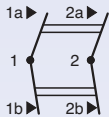
9



L



M



### RATING

2

#### Function 4 - M

6 (2) A / 250 VAC  
3 (1) A / 250 VAC - 5E4  
T125/55 °C - T125 °C  
EN 61058

6 A - 125 / 250 VAC  
1/6 HP - 250 VAC  
1/10 HP - 125 VAC  
T105 °C  
UL 1054  
CSA C22.2

3

#### Function 1 - 2 - L - 8

10 (4) A / 250 VAC  
6 (4) A / 250 VAC - 5E4  
T125/55 °C - T125 °C  
EN 61058

10 A - 125 / 250 VAC  
1/3 HP - 125 VAC  
1/2 HP - 250 VAC  
T105 °C  
UL 1054  
CSA C22.2

6

#### Function 9

10 (2) A / 250 VAC  
6 (1) A / 250 VAC - 5E4  
T125/55 °C - T125 °C  
μ disconnection  
EN 61058

6 A - 125 / 250 VAC  
1/8 HP - 125 VAC  
1/6 HP - 250 VAC  
T105 °C  
UL 1054  
CSA C22.2

B

#### Function 2

13 (4) A / 250 VAC  
8 (8) A / 250 VAC - 5E4  
T125/55 °C - T125 °C  
EN 61058

15 A / 125 VAC  
10 A / 250 VAC  
1/3 HP - 125 VAC  
1/2 HP - 250 VAC  
T105 °C  
UL 1054  
CSA C22.2

#### Function 9

13 (4) A / 250 VAC  
6 (4) A / 250 VAC - 5E4  
T125/55 °C - T125 °C  
μ disconnection  
EN 61058

15 A / 125 VAC  
10 A / 250 VAC  
1/3 HP - 125 VAC  
1/2 HP - 250 VAC  
T105 °C  
UL 1054  
CSA C22.2

### BODY COLOUR

1



black

2



white

X



custom

### ROCKER COLOUR

1



black

2



white

ILLUMINATED ✨

G



red

H



orange

E



green

L



white

X



custom

### MARKING COLOUR

0



none

1



black

2



white

5



grey

7



light blue

8



red

9



orange

X



custom

### MARKING

0



1



2



3



5



9



C



K



N



Z



X





# A4

<b>TYPICAL APPLICATIONS</b>	Vacuum cleaners, H VAC
<b>FUNCTIONS</b>	<ul style="list-style-type: none"> <li>■ DPST, illuminated or not</li> <li>■ DPDT</li> </ul>
<b>CYCLE No.</b>	50.000
<b>CUT OUT</b>	19x22 mm
<b>AMBIENT TEMPERATURE</b>	125 °C
<b>GWT</b>	850 °C
<b>GWT NO FLAME (&lt;2sec)</b>	750 °C on demand



**A 4**

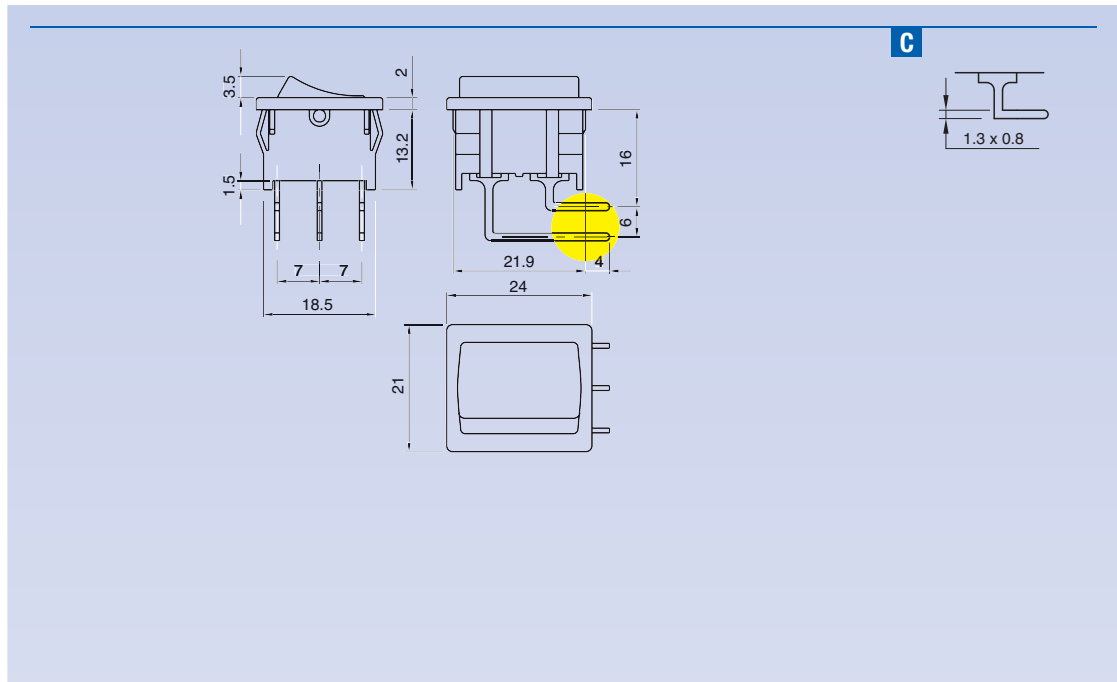
## DRAWING

**?**

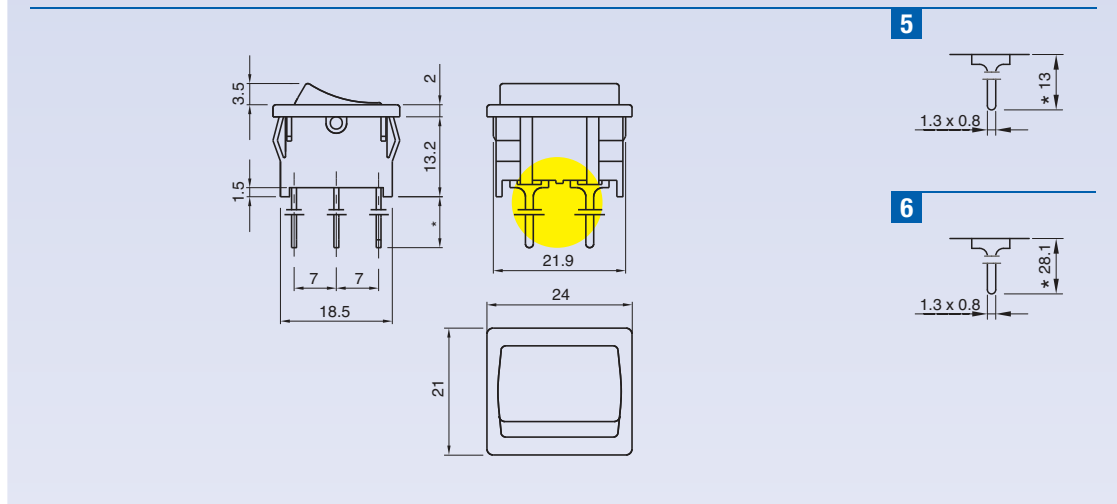
## TERMINAL



WATERPROOF CAP

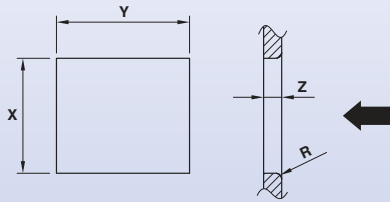


**C**



**5**

**6**

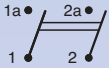


Z	Y	X
0,7 ... 1,25	22,0 ±0,1	19,0 ±0,2
1,25 ... 2,0	22,0 ±0,1	19,3 ±0,2
2,0 ... 3,0	22,0 ±0,1	19,6 ±0,2

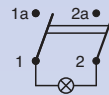
TERMINAL	FUNCTION	RATING	BODY COLOUR	ROCKER COLOUR	MARKING COLOUR	MARKING
A	4					0 0 0

?	?	?	?	?	?	?	0	0	0
FUNCTION	RATING	BODY COLOUR	ROCKER COLOUR	MARKING COLOUR	MARKING				

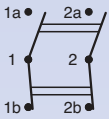
### 2 Terminal C - 6



### 8 Terminal C



### L Terminal 5



### 3

10 (4) A / 250 VAC  
6 (4) A / 250 VAC - 5E4  
T125/55 °C - T125 °C  
EN 61058

10 A - 125 / 250 VAC  
1/3 HP - 125 VAC  
1/2 HP - 250 VAC  
T105 °C  
UL 1054  
CSA C22.2

### 1

black

### 2

white

### X

custom

### 1

black

### 2

white

ILLUMINATED ✱

### G

red

### H

orange

### E

green

### L

white

### X

custom

### 0

none

### 1

black

### 2

white

### 5

grey

### 7

light blue

### 8

red

### 9

orange

### X

custom

### 0



### 1



### 2



### 3



### 5



### C



### K



### Z



### X

