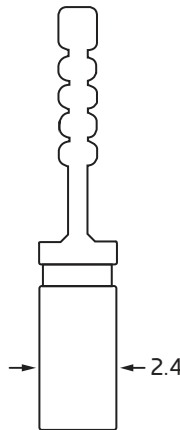
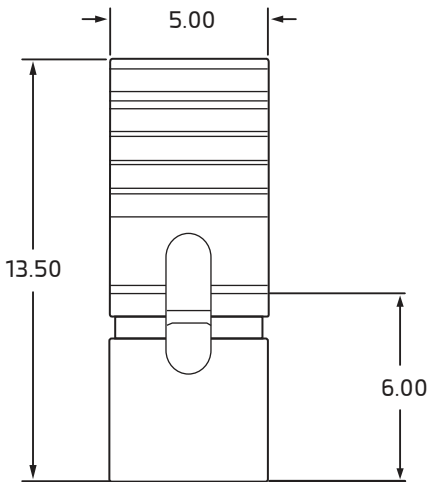


Datenblatt

2.54 mm Jumper Cap, Lengthened type, Black



Specification

Insulator: Glass filled thermoplastic
Contact: Phosphor bronze
Contact plating: Tin over nickel
Contact resistance: < 30 mΩ
Insulation resistance: > 1000 MΩ
Current rating: 3 Amp. max.
Operating temperature: -40°C to 105°C

B/N.453288
Red



B/N.453289
Blue



B/N.453290
White



B/N.453291
Yellow



B/N.453292
Green

