



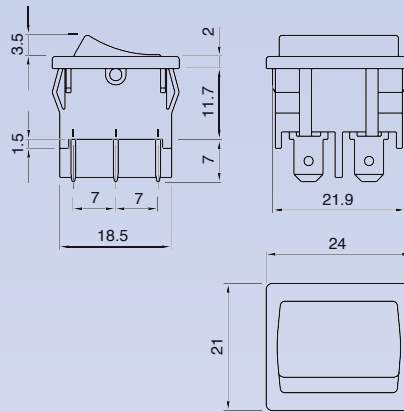
A4

TYPICAL APPLICATIONS	Vacuum cleaners, HVAC
FUNCTIONS	■ SPST, momentary or not
	■ DPST, illuminated or not
	■ DPCO
	■ DPDT, momentary or not
CYCLE No.	50.000
CUT OUT	19x22 mm
AMBIENT TEMPERATURE	125 °C
GWT	850 °C
GWT NO FLAME (<2sec)	750 °C on demand



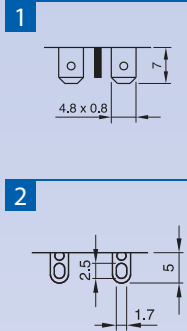
A 4

DRAWING



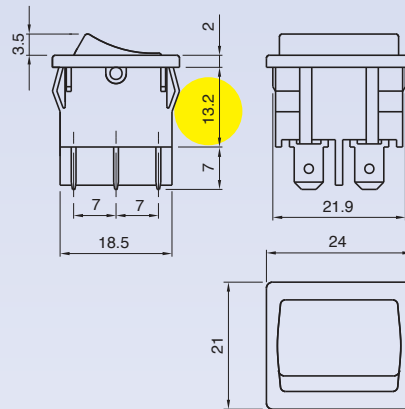
?

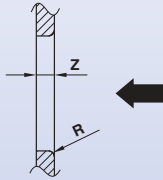
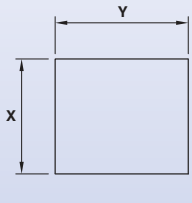
TERMINAL



WATERPROOF CAP

Function 9





Z	Y	X
0,7 ... 1,25	22,0 ±0,1	19,0 ±0,2
1,25 ... 2,0	22,0 ±0,1	19,3 ±0,2
2,0 ... 3,0	22,0 ±0,1	19,6 ±0,2

A	4							0	0	0
---	---	--	--	--	--	--	--	---	---	---

?	?	?	?	?	?	0	0	0
---	---	---	---	---	---	---	---	---

FUNCTION

RATING

BODY COLOUR

ROCKER COLOUR

MARKING COLOUR MARKING

1

2

4

8

9

L

M

2

Function 4 - M
 6 (2) A / 250 VAC
 3 (1) A / 250 VAC - 5E4
 T125/55 °C - T125 °C
 EN 61058

6 A - 125 / 250 VAC
 1/6 HP - 250 VAC
 1/10 HP - 125 VAC
 T105 °C
 UL 1054

3

Function 1 - 2 - L - 8
 10 (4) A / 250 VAC
 6 (4) A / 250 VAC - 5E4
 T125/55 °C - T125 °C
 EN 61058

10 A - 125 / 250 VAC
 1/3 HP - 125 VAC
 1/2 HP - 250 VAC
 T105 °C
 UL 1054

6

Function 9
 10 (2) A / 250 VAC
 6 (1) A / 250 VAC - 5E4
 T125/55 °C - T125 °C
 µ disconnection
 EN 61058

6 A - 125 / 250 VAC
 1/8 HP - 125 VAC
 1/6 HP - 250 VAC
 T105 °C
 UL 1054

B

Function 2
 13 (4) A / 250 VAC
 8 (8) A / 250 VAC - 5E4
 T125/55 °C - T125 °C
 EN 61058

15 A / 125 VAC
 10 A / 250 VAC
 1/3 HP - 125 VAC
 1/2 HP - 250 VAC
 T105 °C
 UL 1054

Function 9
 13 (4) A / 250 VAC
 6 (4) A / 250 VAC - 5E4
 T125/55 °C - T125 °C
 µ disconnection
 EN 61058

15 A / 125 VAC
 10 A / 250 VAC
 1/3 HP - 125 VAC
 1/2 HP - 250 VAC
 T105 °C
 UL 1054

1 black

2 white

X ? custom

1 black

2 white

ILLUMINATED

G red

H orange

E green

L white

X ? custom

0 none

1 black

2 white

5 grey

7 light blue

8 red

9 orange

X ? custom

0

1

2

3

5

9

C

K

N

Z

X



A4

TYPICAL APPLICATIONS	Vacuum cleaners, HVAC
FUNCTIONS	<ul style="list-style-type: none"> ■ DPST, illuminated or not ■ DPDT
CYCLE No.	50.000
CUT OUT	19x22 mm
AMBIENT TEMPERATURE	125 °C
GWT	850 °C
GWT NO FLAME (<2sec)	750 °C on demand



A 4

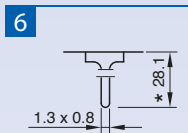
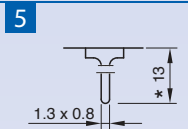
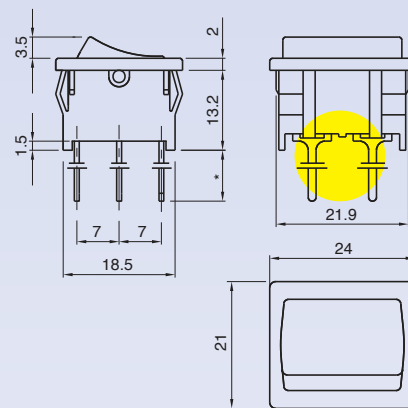
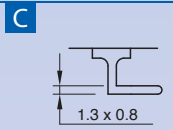
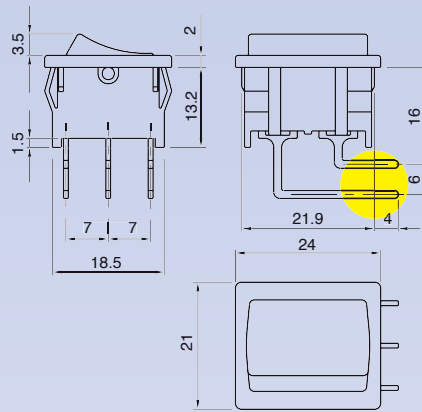
?

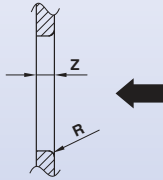
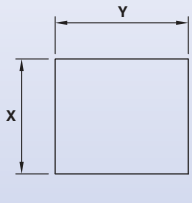
DRAWING

TERMINAL



WATERPROOF CAP





Z	Y	X
0,7 ... 1,25	22,0 ±0,1	19,0 ±0,2
1,25 ... 2,0	22,0 ±0,1	19,3 ±0,2
2,0 ... 3,0	22,0 ±0,1	19,6 ±0,2

TERMINAL	FUNCTION	RATING	BODY COLOUR	ROCKER COLOUR	MARKING COLOUR	MARKING
A	4					

0 0 0

? ? ? ? ? ? 0 0 0

FUNCTION

RATING

BODY COLOUR

ROCKER COLOUR

MARKING COLOUR MARKING

2 Terminal C - 6

8 Terminal C

L Terminal 5

3

10 (4) A / 250 VAC
 6 (4) A / 250 VAC - 5E4
 T125/55 °C - T125 °C
 EN 61058

10 A - 125 / 250 VAC
 1/3 HP - 125 VAC
 1/2 HP - 250 VAC
 T105 °C
 UL 1054

1 black

2 white

X ? custom

1 black

2 white

ILLUMINATED ✨

0 none

1 black

2 white

0

1

G red

H orange

E green

L white

X ? custom

5 grey

7 light blue

8 red

9 orange

X ? custom

5 grey

7 light blue

8 red

9 orange

X ? custom

2

3

5

C

X ? custom

X ? custom

X ? custom

K

Z

X